

MITSUBISHI MICROCOMPUTERS

M37410E6-XXXFP M37410E6FS

PROM VERSION of M37410M3-XXXFP, M37410M4-XXXFP, M37410M6-XXXFP

DESCRIPTION

The M37410E6FS, M37410E6-XXXFP are single-chip microcomputers designed with CMOS silicon gate technology. M37410E6-XXXFP is housed in a 80-pin shrink plastic molded QFP. M37410E6FS is housed in a 80-pin ceramic QFP. The features of M37410E6-XXXFP are similar to those of the M37410M4-XXXFP except that this chip has a 98304-bit (12288 words X 8 bits) PROM built in. This single-chip microcomputer is useful for home electrical appliances and consumer appliance controllers.

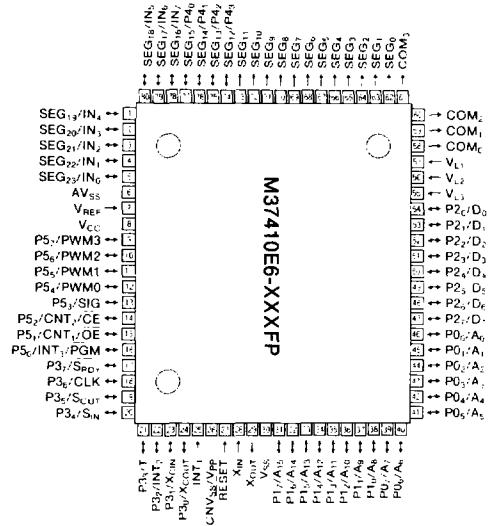
In addition to its simple instruction sets, the PROM, RAM, and I/O addresses are placed on the same memory map to enable easy programming. Since general purpose PROM writers can be used for the built-in PROM, this chip is suitable for small quantity production runs.

The M37410E6FS are the window type. The differences between the M37410E6-XXXFP and the M37410E6FS are the package outline and the power dissipation ability (absolute maximum ratings).

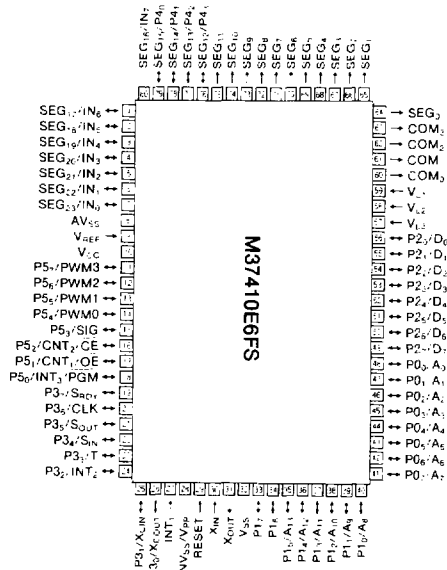
FEATURES

- Number of basic instructions..... 69
- Memory size PROM 12288 bytes
RAM 256 bytes
- Instruction execution time (minimum instructions)
at high-speed mode 1 μ s
at low-speed mode 4 μ s
- Single power supply
M37410E6-XXXFP 2.5~5.5V
M37410E6FS 4.5~5.5V
- Power dissipation
normal operation mode (at 8MHz frequency)
..... 30mW ($V_{CC}=5V$, Typ.)
low-speed operation mode (at 32kHz frequency for
clock function) 54 μ W ($V_{CC}=3V$, Typ.)
- RAM retention voltage (stop mode)
..... 2.0V \leq V_{RAM} \leq 5.5V
- Subroutine nesting 96 levels (Max.)
- Interrupt 10 types, 5 vectors
- 8-bit timer 4
- 16-bit timer 1 (Two 8-bit timers make one set)
- Programmable I/O ports
(Ports P0, P1, P2, P3, P5) 40
- Input port (Port P4) 4
- Serial I/O (8-bit) 1
- A-D converter 8-bit, 8-channel
- LCD controller/driver (1/2, 1/3 bias, 1/2, 1/3, 1/4 duty)
segment output 24
common output 4
- Two clock generating circuits
(One is for main clock, the other is for clock function)
- PROM (equivalent to the M5L27128)
program voltage 21V

PIN CONFIGURATION (TOP VIEW)



Outline 80P6S (OTP)



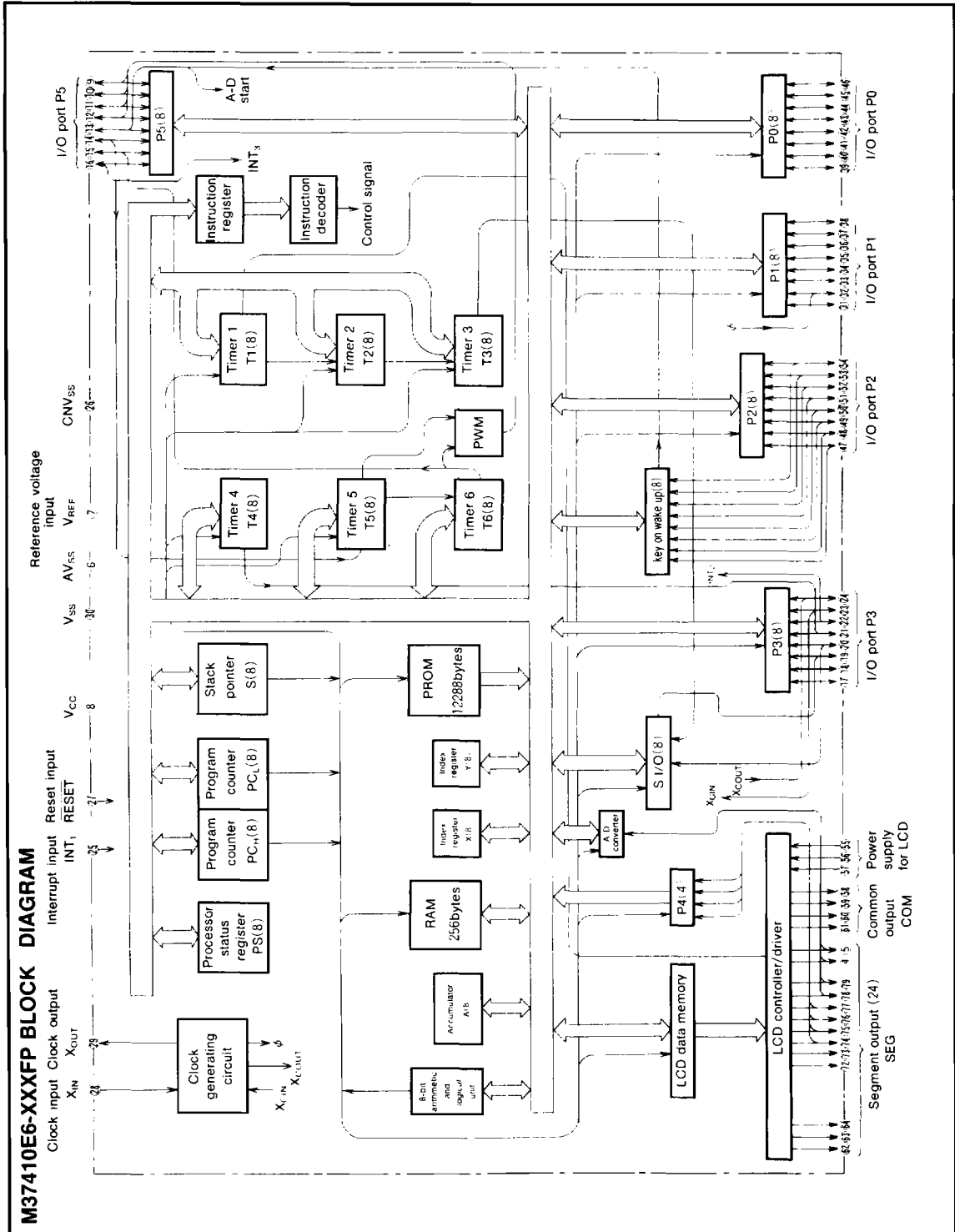
Outline 80S6 (Window)

APPLICATION

- Audio-visual equipment
- Remote control
- Camera

M37410E6-XXXFP
M37410E6FS

PROM VERSION of M37410M3-XXXFP, M37410M4-XXXFP, M37410M6-XXXFP



M37410E6-XXXFP
M37410E6FS

PROM VERSION of M37410M3-XXXFP, M37410M4-XXXFP, M37410M6-XXXFP

FUNCTIONS OF M37410E6-XXXFP

Parameters		Functions
Number of basic instructions		69
Instruction execution time		1.22 μ s (minimum instructions, at 8MHz of frequency)
Clock frequency		8MHz
Memory size	PROM	12288bytes (Note 1)
	RAM	256bytes
	RAM for display LCD	12bytes
Input/Output port	P0, P1, P2, P3, P5	I/O 8-bitX5
	P4	Input 4-bitX1 (Port P4 are in common with SEG)
	SEG	LCD output 24-bitX1
	COM	LCD output 4-bitX1
	Serial I/O	8-bitX1
Timers		8-bit timerX4
		16-bit timerX1 (combination of two 8-bit timers)
LCD controller/driver	Bias	1/2, 1/3 bias selectable
	Duty ratio	1/2, 1/3, 1/4 duty selectable
	Common output	4
	Segment output	24 (SEG ₁₂ ~SEG ₂₃ are in common with port P4 and analog input pins)
Subroutine nesting		96(max)
Interrupt		Three external Interrupts three timer interrupts (or two timer, one serial I/O)
Clock generating circuit		Two built-in circuits (ceramic or quartz crystal oscillator)
Operating temperature range		-10~70°C
Device structure		CMOS silicon gate
Package		80-pin plastic molded QFP

Note 1 : The PROM programming voltage is 21V (equivalent to the M5L27128)

PIN DESCRIPTION

Pin	Mode	Name	Input/ Output	Functions
V _{CC} , V _{SS}	Single-chip /EPROM	Power supply		Supply 5V±5% to V _{CC} and 0V to V _{SS}
CNV _{SS} / V _{PP}	Single-chip	CNV _{SS}		Connect to V _{SS} .
	EPROM	V _{PP} input	Input	Connect to V _{PP} when programming or verifying.
RESET	Single-chip	Reset input	Input	To reset, keep this input terminal low for more than 16μs (min) under normal V _{CC} conditions. If more time is needed for the crystal oscillator to stabilize, this "L" condition should be maintained for the required time.
	EPROM	Reset input		Connect to 0V.
X _{IN}	Single-chip /EPROM	Clock input	Input	These are I/O pins of internal clock generating circuit for main clock. To control generating frequency, an external ceramic or a quartz crystal oscillator is connected between the X _{IN} and X _{OUT} pins. If an external clock is used, the clock source should be connected the X _{IN} pin and the X _{OUT} pin should be left open.
X _{OUT}		Clock output	Output	
INT ₁	Single-chip	Interrupt input	Input	This is the highest order interrupt input pin.
	EPROM	Interrupt input	Input	Connect to 0V.
P0 ₀ ~P0 ₇	Single-chip	I/O port P0	I/O	Port P0 is an 8-bit I/O port with directional registers allowing each I/O bit to be individually programmed as input or output. At reset, this port is set to input mode. The output structure is CMOS output.
	EPROM	Address input A ₀ ~A ₇	Input	P0 works as the lower 8 bit address input (A ₀ ~A ₇).
P1 ₀ ~P1 ₇	Single-chip	I/O port P1	I/O	Port P1 is an 8-bit I/O port and has basically the same functions as port P0. The output structure is N-channel open drain
	EPROM	Address input A ₈ ~A ₁₃	Input	P1 ₀ ~P1 ₅ works as the higher 6 bit address inputs (A ₈ ~A ₁₃). Connect P1 ₆ ~P1 ₇ to V _{CC} .
P2 ₀ ~P2 ₇	Single-chip	I/O port P2	I/O	Port P2 is an 8-bit I/O port and has basically the same function as port P0. Also all bits are for key on wake up input pins.
	EPROM	Data input/ output D ₀ ~D ₇	I/O	Port P2 works as an 8 bit data bus (D ₀ ~D ₇).
P3 ₀ ~P3 ₇	Single-chip	I/O port P3	I/O	Port P3 is an 8-bit I/O port and has basically the same functions as port P0. When serial I/O is used, P3 ₇ , P3 ₆ , P3 ₅ and P3 ₄ work as S _{RDY} , CLK, S _{OUT} , and S _{IN} pins, respectively. Also P3 ₃ , P3 ₂ , P3 ₁ , and P3 ₀ work as timer 4 overflow signal divided by 2 output pin (T), INT ₂ pin, X _{CIN} and X _{COUT} pins, respectively.
	EPROM	Input port P3	Input	Connect to 0V.
SEG ₁₂ /P4 ₃ { SEG ₁₅ /P4 ₀	Single-chip	Segment output /input port P4	Output /Input	SEG ₁₂ ~SEG ₁₅ are segment output pins. Also these work as input port P4 by 2-bit unit.
	EPROM	Input port P4	Input	Connect to V _{CC} .
P5 ₀ ~P5 ₇	Single-chip	I/O port P5	I/O	Port P5 is an 8-bit I/O port and has basically the same function as P1. P5 ₀ , P5 ₁ , P5 ₂ and P5 ₃ are in common with INT ₃ , timer3 input, timer5 input and A-D trigger input, respectively.
	EPROM	Select mode	Input	P5 ₂ , P5 ₁ , P5 ₀ work as CE, OE and PGM, respectively. Connect to P5 ₅ ~P5 ₇ to 0V, and P5 ₄ ~P5 ₄ to V _{CC} .

PIN DESCRIPTION (Continued)

Pin	Mode	Name	Input/ Output	Functions
V _{L1} ~V _{L3}	Single-chip	Voltage input for LCD	Input	These are voltage input pins for LCD. Supply voltage as $0V \leq V_{L1} \leq V_{L2} \leq V_{L3} \leq V_{CC}$. $0 \sim V_{L3}V$ is supplied to LCD.
	EPROM	Voltage input for LCD	Input	Connect to V _{CC} .
COM ₀ ~ COM ₃	Single-chip	Common output	Output	These are LCD common output pins.
	EPROM	Common output	Output	Connect to V _{CC} .
SEG ₀ ~ SEG ₁₁	Single-chip	Segment output	Output	These are LCD segment output pins.
	EPROM	Segment output	Output	Connect to V _{CC} .
SEG ₁₆ /IN ₇ ┆ SEG ₂₃ /IN ₀	Single-chip	Segment output /analog input	I/O	SEG ₁₆ ~SEG ₂₃ work as analog input pins IN ₇ ~IN ₀ . SEG ₁₆ ~SEG ₁₉ are used by 2-bit unit and SEG ₂₀ ~SEG ₂₃ by 4-bit unit.
	EPROM	Analog input	Input	Connect to V _{CC} .
AV _{SS}	Single-chip	Analog voltage input	Input	GND input pin for the A-D converter.
	EPROM	Analog voltage input	Input	Connect to V _{SS} .
V _{REF}	Single-chip	Reference voltage input	Input	Reference input pin for A-D converter.
	EPROM	Reference voltage input	Input	Connect to V _{CC} .

M37410E6-XXXFP M37410E6FS

PROM VERSION of M37410M3-XXXFP, M37410M4-XXXFP, M37410M6-XXXFP

EPROM MODE

The M37410E6-XXXFP, M37410E6FS feature an EPROM mode in addition to its normal modes. When the RESET signal level is low ("L"), the chip automatically enters the EPROM mode. Table 1 list the correspondence between pins and Figure 1, Figure 2 give the pin connections in the EPROM mode. When in the EPROM mode, ports P0, P1, P2, P5₀ ~ P5₂, and CNV_{SS} are used for the PROM (equivalent to the M5L27128). When in this mode, the built-in PROM can be written to or read from using these pins in the same way as with the M5L27128. The oscillator should be connected to the X_{IN} and X_{OUT} pins, or external clock should be connected to the X_{IN} pin.

Table 1. Pin function in EPROM mode

	M37410E6-XXXFP, M37410E6FS	M5L27128
V _{CC}	V _{CC}	V _{CC}
V _{PP}	CNV _{SS} /V _{PP}	V _{PP}
V _{SS}	V _{SS}	V _{SS}
Address input	Ports P0, P1 ₀ ~P1 ₅	A ₀ ~A ₁₃
Data I/O	Port P2	D ₀ ~D ₇
CE	P5 ₂ /CE	CE
OE	P5 ₁ /OE	OE
PGM	P5 ₀ /PGM	PGM

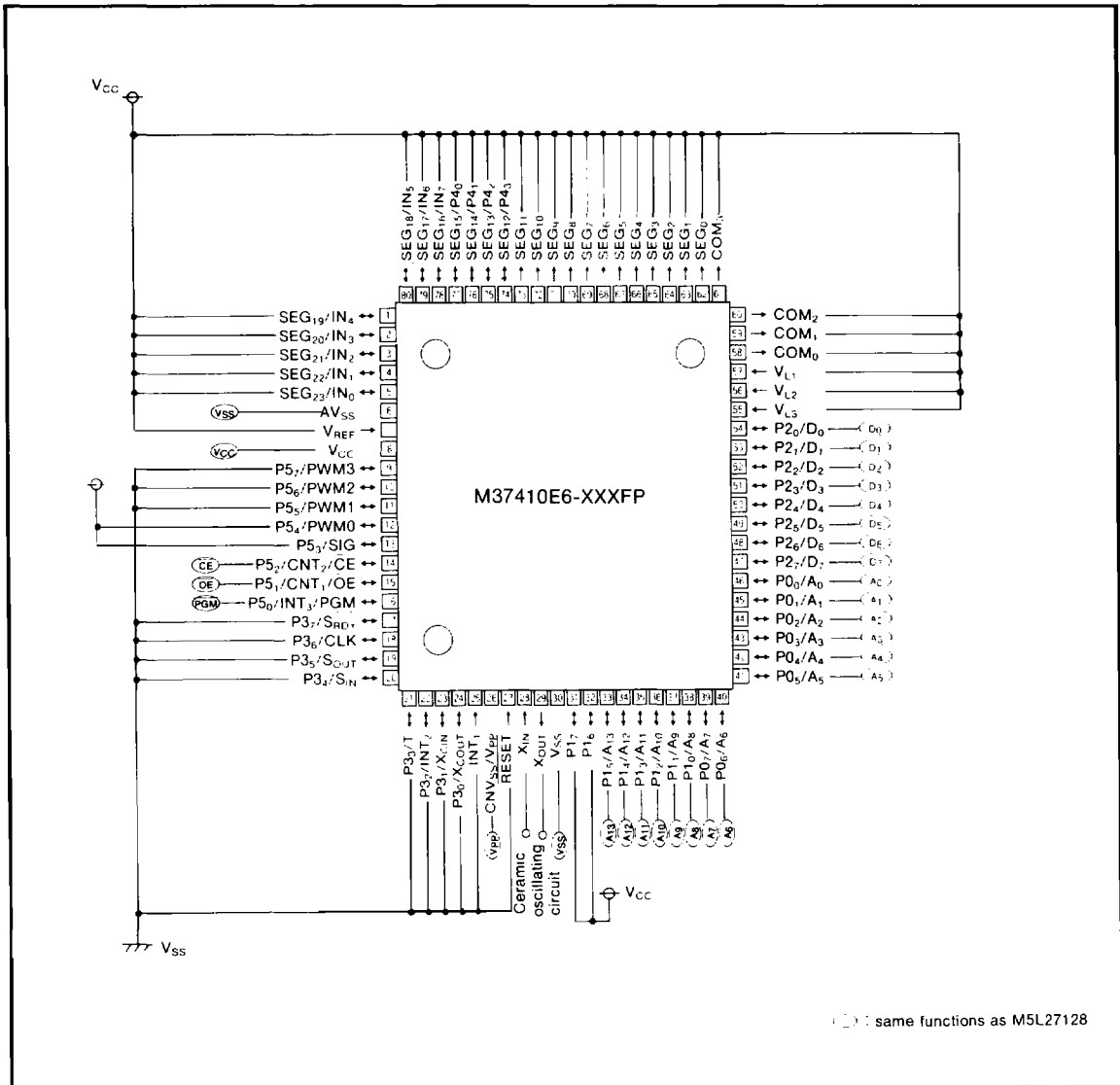


Fig.1 Pin connection in EPROM mode

M37410E6-XXXFP
M37410E6FS

PROM VERSION of M37410M3-XXXFP, M37410M4-XXXFP, M37410M6-XXXFP

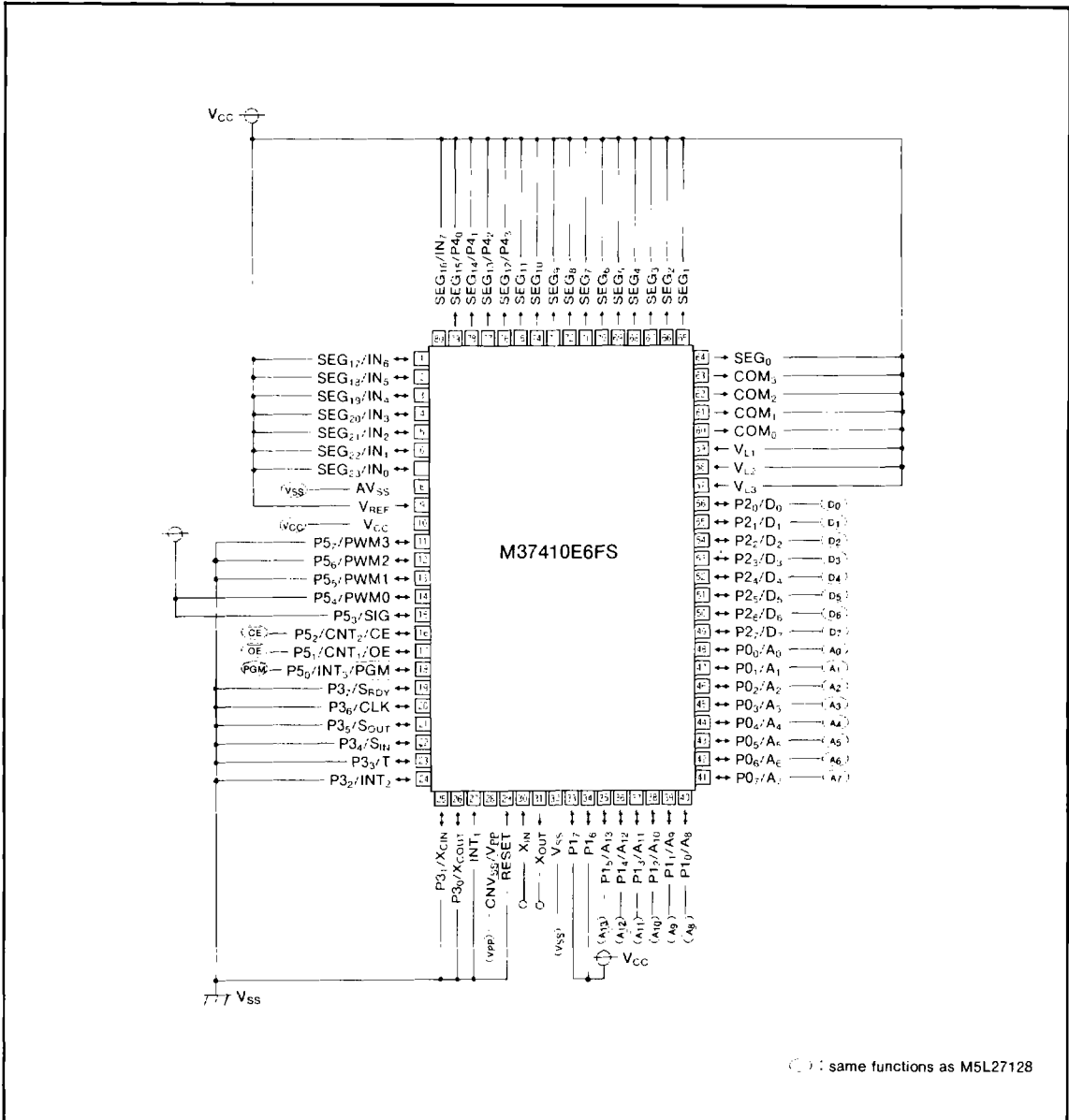


Fig.2 Pin connection in EPROM mode

M37410E6-XXXFP
M37410E6FS

PROM VERSION of M37410M3-XXXFP, M37410M4-XXXFP, M37410M6-XXXFP

PROM READING, WRITING AND ERASING
Reading

To read the PROM, set the \overline{CE} and \overline{OE} pins to a "L" level, and the \overline{PGM} pin to a "H" level. Input the address of the data ($A_0 \sim A_{13}$) to be read and the data will be output to the I/O pins $D_0 \sim D_7$. The data I/O pins will be floating when either the \overline{CE} or \overline{OE} pins are in the "H" state.

Writing

To write to the PROM, set the \overline{CE} pin to a "L" level and the \overline{OE} pin to a "H" level. The CPU will enter the program mode when V_{PP} is applied to the V_{PP} pin. The address to be written to is selected with pins $A_0 \sim A_{13}$, and the data to be written is input to pins $D_0 \sim D_7$. Set the \overline{PGM} pin to a "L" level to begin writing.

Erasing

Data can only be erased on the M37410E6FS ceramic package, which includes a window. To erase data on this chip, use an ultraviolet light source with a 2537 Angstrom wave length. The minimum radiation power necessary for erasing is $15W \cdot s/cm^2$.

Functional differences from M37410M3-XXXFP or M37410M4-XXXFP, M37410M6-XXXFP
(excluding characteristic differences).

	M37410M3-XXXFP M37410M4-XXXFP M37410M6-XXXFP	M37410E6-XXXFP M37410E6FS
Port P0 pull-up resistor	Option	Not provided
Port P1 pull-up resistor	Option	Not provided
Port P2 pull-up resistor	Option	Not provided
Port P3 pull-up resistor	Option	Not provided
Port P4 pull-up resistor	Option	Not provided
Port P5 pull-up resistor	Option	Not provided
Port P2 key on wake up	Option	Provided (8 bits)

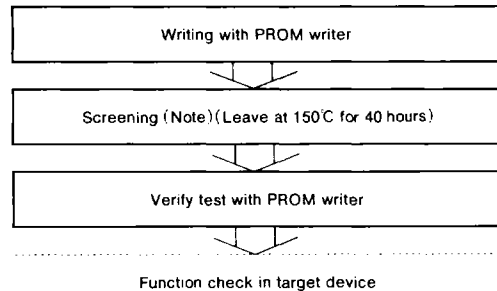
NOTES ON HANDLING

- (1) Sunlight and fluorescent light contain wave lengths capable of erasing data. For ceramic package types, cover the transparent window with a seal (provided) when this chip is in use. However, this seal must not contact the lead pins.

- (2) Before erasing, the glass should be cleaned and stains such as finger prints should be removed thoroughly. If these stains are not removed, complete erasure of the data could be prevented.
- (3) Since a high voltage (21V) is used to write data, care should be taken when turning on the PROM writer's power.
- (4) Note that ports P3₀ and P3₁ of M37410E6-XXXFP or M37410E6FS can not use as I/O ports when the external A-D start enable bit is set to "1" (enabled). This is because that bit 5 of the serial I/O mode register of M37410M3-XXXFP or M37410M4-XXXFP, M37410M6-XXXFP acts differently from that of M37410E6-XXXFP or M37410E6FS, as compared in the table.
Bit 5 of serial I/O mode register when external A-D start enable bit is "1".

	Bit 5 of serial I/O mode register
M37410M3-XXXFP M37410M4-XXXFP M37410M6-XXXFP	Not affected
M37410E6-XXXFP M37410E6FS	Automatically set to "1", and is fixed to "1" while external A-D start enable bit remains "1".

- (5) For the programmable microcomputer (shipped in blank or OTP type), Mitsubishi does not perform PROM write test and screening in the assembly process and following processes. To improve reliability after write, performing write and test according to the flow below before use is recommended.



Note : Since the screening temperature is higher than storage temperature, never expose to 150°C exceeding 100 hours.

Table 2. I/O signal in each mode

Mode	Pin	\overline{CE} (14)	\overline{OE} (15)	\overline{PGM} (16)	V_{PP} (26)	V_{CC} (8)	Data I/O (47~54)
Read-out		V_{IL}	V_{IL}	V_{IH}	V_{CC}	V_{CC}	Output
Programming		V_{IL}	V_{IH}	Pulse($V_{IH} \rightarrow V_{IL}$)	V_{PP}	V_{CC}	Input
Programming verify		V_{IL}	V_{IL}	V_{IH}	V_{PP}	V_{CC}	Output
Program disable		V_{IH}	X	X	V_{PP}	V_{CC}	Floating

Note 1 : V_{IL} and V_{IH} indicate a "L" and "H" input voltage, respectively.
2 : An X indicates either V_{IL} or V_{IH} .

M37410E6-XXXFP
M37410E6FS

PROM VERSION of M37410M3-XXXFP, M37410M4-XXXFP, M37410M6-XXXFP

ABSOLUTE MAXIMUM RATINGS

Symbol	Parameter	Conditions	Ratings	Unit
V_{CC}	Supply voltage		-0.3~7	V
V_i	LCD supply $V_{L1}\sim V_{L3}$	$V_{L1} < V_{L2} < V_{L3}$	-0.3~ $V_{CC}+0.3$	V
V_i	Input voltage $P0_0\sim P0_7, P2_0\sim P2_7, P3_0, P3_1, P4_0\sim P4_3,$ $IN_0\sim IN_7, V_{REF}, X_{IN}$		-0.3~ $V_{CC}+0.3$	V
V_i	Input voltage CNV_{SS} (Note 1)		-0.3~7	V
V_i	Input voltage $INT_1, RESET, P1_0\sim P1_7, P3_2\sim P3_7, P5_0\sim P5_7,$		-0.3~10	V
V_O	Output voltage $P0_0\sim P0_7, P2_0\sim P2_7, P3_0, P3_1,$ $COM_0\sim COM_3, SEG_0\sim SEG_{23}, X_{OUT}$		-0.3~ $V_{CC}+0.3$	V
V_O	Output voltage $P1_0\sim P1_7, P3_2\sim P3_7, P5_0\sim P5_7,$		-0.3~10	V
P_d	Power dissipation	$T_a = 25^\circ\text{C}$	300	mW
T_{opr}	Operating temperature		-10~70	$^\circ\text{C}$
T_{stg}	Storage temperature		-40~125	$^\circ\text{C}$

Note 1 : In PROM programming mode, CNV_{SS} is 21.0V

RECOMMENDED OPERATING CONDITIONS ($V_{CC} = 5\text{V} \pm 5\%$, $T_a = -10\sim 70^\circ\text{C}$, unless otherwise noted)

Symbol	Parameter	Conditions	Limits			Unit
			Min.	Typ	Max.	
V_{CC}	Supply voltage (Note 1)	$f(X_{IN}) = 8\text{MHz}$ High-speed mode $f(X_{IN}) = 8\text{MHz}$ Normal mode or $f(X_{IN}) = 2\text{MHz}$ High-speed mode (Note 2)	4.5		5.5	V
V_{SS}	Supply voltage			0		V
V_{IH}	"H" input voltage $P0_0\sim P0_7, P3_0, P3_1, P4_0\sim P4_3,$ X_{IN}, CNV_{SS} (Note 4)		$0.7V_{CC}$		V_{CC}	V
V_{IH}	"H" input voltage $P2_0\sim P2_7,$		$0.8V_{CC}$		V_{CC}	V
V_{IH}	"H" input voltage $P1_0\sim P1_7, P5_0\sim P5_7, S_{IN}$		$0.7V_{CC}$		10	V
V_{IH}	"H" input voltage $P5_0, INT_1, INT_2, INT_3, P3_2\sim P3_7,$ CNT_1, CNT_2, SIG, CLK		$0.8V_{CC}$		10	V
V_{IH}	"H" input voltage $RESET, X_{CIN}$		$0.85V_{CC}$		10	V
V_{iL}	"L" input voltage $P0_0\sim P0_7, P1_0\sim P1_7, P3_0, P3_1,$ $P4_0\sim P4_3, P5_0\sim P5_7, S_{IN}$		0		$0.25V_{CC}$	V
V_{iL}	"L" input voltage $P2_0\sim P2_7, P3_2\sim P3_7, P5_0, INT_1, INT_2,$ $INT_3, CNT_1, CNT_2, SIG, CLK$		0		$0.2V_{CC}$	V
V_{iL}	"L" input voltage $RESET, X_{IN}, X_{CIN}$		0		$0.15V_{CC}$	V
I_{OH}	"H" output current $P0_0\sim P0_7, P2_0\sim P2_7, X_{OUT}$ (Note 5)				-1	mA
I_{OL}	"L" output current $P0_0\sim P0_7, P2_0\sim P2_7, P3_0\sim P3_7,$ $P5_0\sim P5_7, X_{OUT}, PWM0\sim PWM3, T,$ $S_{OUT}, CLK, S_{RDY}, SIG$ (Note 6)				1	mA
I_{OL}	"L" output current $P1_0\sim P1_7$ (Note 2): (Note 7)	$V_{CC} = 3\text{V}$ $V_{CC} = 5\text{V}$			10 20	mA
$f(X_{IN})$	Clock oscillating frequency		0.2		8.2	MHz
$f(X_{CIN})$	Clock oscillating frequency for clock function		30		50	kHz

- Note 1 : When only maintaining the RAM data, minimum value of V_{CC} is 2V
 2 : We say the high-speed mode, when the system clock is chosen $X_{IN}/4$, and the normal mode, when the system clock is chosen $X_{IN}/16$.
 3 : In case M37410E6FS, 4, 5V.
 4 : When P3 is X_{CIN} mode, the limits of V_{IH} of P3, is $0.85V_{CC} \leq V_{IH} \leq V_{CC}$, $0 \leq V_{iL} \leq 0.15V_{CC}$.
 5 : Total of $I_{OH, peak}$ of ports P0, P2 and X_{OUT} is less than 35mA.
 6 : Total of $I_{OL, peak}$ of ports P0, P2, P3 and P5 is less than 32mA.
 7 : Total of $I_{OL, peak}$ of P1 is less than 80mA.
 Total of $I_{OL, avg}$ of P1 is less than 40mA.

M37410E6-XXXFP
M37410E6FS

PROM VERSION of M37410M3-XXXFP, M37410M4-XXXFP, M37410M6-XXXFP

ELECTRICAL CHARACTERISTICS ($T_a = -10 \sim 70^\circ\text{C}$, $V_{SS} = 0\text{V}$, unless otherwise noted)

Symbol	Parameter	Test conditions	Limits			Unit	
			Min.	Typ.	Max.		
V_{OH}	"H" output voltage $P0_0 \sim P0_7$, $P2_0 \sim P2_7$	$V_{CC} = 5\text{V}$, $I_{OH} = -0.5\text{mA}$	4			V	
V_{OH}	"H" output voltage X_{OUT}	$V_{CC} = 5\text{V}$, $I_{OH} = -0.3\text{mA}$	4			V	
V_{OL}	"L" output voltage $P0_0 \sim P0_7$, $P2_0 \sim P2_7$, $P3_0 \sim P3_7$, $P5_0 \sim P5_7$, T, S_{OUT} , CLK, S_{RDV} , SIG, PWM0 ~ PWM3	$V_{CC} = 5\text{V}$, $I_{OL} = 1\text{mA}$			1	V	
V_{OL}	"L" output voltage $P1_0 \sim P1_7$	$V_{CC} = 5\text{V}$, $I_{OL} = 20\text{mA}$			2	V	
V_{OL}	"L" output voltage X_{OUT}	$V_{CC} = 5\text{V}$, $I_{OL} = 0.3\text{mA}$			1	V	
$V_{T+} - V_{T-}$	Hysteresis INT ₁ , INT ₂ , INT ₃ , CLK, CNT ₁ , CNT ₂ , SIG, S _{IN} , P ₂₀ ~ P ₂₇ , X _{CIN}	$V_{CC} = 5\text{V}$		0.7		V	
$V_{T+} - V_{T-}$	Hysteresis RESET	$V_{CC} = 5\text{V}$		2		V	
$V_{T+} - V_{T-}$	Hysteresis X _{IN}	$V_{CC} = 5\text{V}$		0.5		V	
I_{IL}	"L" input current $P0_0 \sim P0_7$, $P1_0 \sim P1_7$, $P2_0 \sim P2_7$, $P3_0 \sim P3_7$, $P4_0 \sim P4_3$, $P5_0 \sim P5_7$ (Note 1), IN ₀ ~ IN ₇ , INT ₁ , RESET, X _{IN}	$V_{CC} = 5\text{V}$ $V_i = 0\text{V}$			-5	μA	
I_{IH}	"H" input current $P0_0 \sim P0_7$, $P2_0 \sim P2_7$, $P3_0$, $P3_1$, $P4_0 \sim P4_7$, IN ₀ ~ IN ₇ , X _{IN} , X _{CIN} , CNV _{SS}	$V_{CC} = 5\text{V}$ $V_i = 5\text{V}$			5	μA	
I_{IH}	"H" input current $P1_0 \sim P1_7$, $P3_0 \sim P3_7$, $P5_0 \sim P5_7$, INT ₁ , INT ₂ , INT ₃ , CNT ₁ , CNT ₂ , SIG, RESET, S _{IN} , CLK	$V_i = 10\text{V}$			10	μA	
R_{COM}	Output impedance COM ₀ ~ COM ₃	$V_{L1} = V_{CC}/3$ $V_{L2} = 2V_{L1}$ $V_{L3} = V_{CC}$ Other COM, SEG pins are opened	$V_{CC} = 5\text{V}$		200	Ω	
R_S	Output impedance SEG ₀ ~ SEG ₂₃		$V_{CC} = 5\text{V}$		2	k Ω	
I_{CC}	Supply current	at operation	$f(X_{IN}) = 8\text{MHz}$ High-speed mode $V_{CC} = 5\text{V}$		6	12	mA
			$f(X_{CIN}) = 32\text{kHz}$, $V_{CC} = 5\text{V}$		30	60	
		at wait state	$f(X_{CIN}) = 32\text{kHz}$, $V_{CC} = 5\text{V}$		15	30	μA
	at stop state	$V_{CC} = 5\text{V}$, all clock stop, $T_a = 25^\circ\text{C}$		0.1	1.0		
V_{RAM}	RAM retention voltage			2		5.5	V

Note 1 : Also the same as when each pin is used as INT₂, INT₃, CNT₁, CNT₂, SIG, S_{IN} and X_{IN}, respectively.

M37410E6-XXXFP
M37410E6FS

PROM VERSION of M37410M3-XXXFP, M37410M4-XXXFP, M37410M6-XXXFP

A-D CONVERTER CHARACTERISTICS ($V_{CC}=5V$, $V_{SS}=AV_{SS}=0V$, $T_a=25^\circ C$, $f(X_{IN})=8\text{ MHz}$, unless otherwise noted)

Symbol	Parameter	Test conditions	Limits			Unit
			Min	Typ.	Max.	
	Resolution				8	bits
	Non-linearity error	$V_{CC}=V_{REF}=5.12V$			± 2	LSB
		$V_{CC}=V_{REF}=3.072V$			± 2	
	Differential non-linearity	$V_{CC}=V_{REF}=5.12V$			± 0.9	LSB
		$V_{CC}=V_{REF}=3.072V$			± 0.9	
V_{OT}	Zero transition error	$V_{CC}=V_{REF}=5.12V$			2	LSB
		$V_{CC}=V_{REF}=3.072V$			2	
V_{FST}	Full-scale transition error	$V_{CC}=V_{REF}=5.12V$			6	LSB
		$V_{CC}=V_{REF}=3.072V$			10	
T_C	Conversion time	$V_{CC}=2.5\sim 5.5V$ High-speed mode			$200/f(X_{IN})$	μS
		$V_{CC}=2.5\sim 5.5V$ Normal mode			$800/f(X_{IN})$	
I_{REF}	Reference input current	$V_{REF}=5V$			1.0	mA
		$V_{REF}=3V$			0.5	
I_{IN}	Analog port input current	$V_{IN}=0\sim V_{CC}$			1	μA
V_{IN}	Analog input voltage	$V_{CC}=2.5\sim 5.5V$	AV_{SS}		V_{CC}	V
V_{REF}	Reference input voltage		2.5		V_{CC}	V