

P87C552

80C51 8-Bit Microcontroller

The 87C552 Single-Chip 8-Bit Microcontroller is manufactured in an advanced CMOS process and is a derivative of the 80C51 microcontroller family. The 87C552 has the same instruction set as the 80C51.

The 87C552 contains a 8k × 8 non-volatile EPROM, a 256 × 8 read/write data memory, five 8-bit I/O ports, one 8-bit input port, two 16-bit timer/event counters (identical to the timers of the 80C51), an additional 16-bit timer coupled to capture and compare latches, a 15-source, four-priority-level, nested interrupt structure, an 8-input ADC, a dual DAC pulse width modulated interface, two serial interfaces (UART and I2C-bus), a *watchdog* timer and on-chip oscillator and timing circuits. For systems that require extra capability, the 8x552 can be expanded using standard TTL compatible memories and logic.

Rochester Electronics Manufactured Components

Rochester branded components are manufactured using either die/wafers purchased from the original suppliers or Rochester wafers recreated from the original IP. All re-creations are done with the approval of the Original Component Manufacturer (OCM).

Parts are tested using original factory test programs or Rochester developed test solutions to guarantee product meets or exceeds the OCM data sheet.

Quality Overview

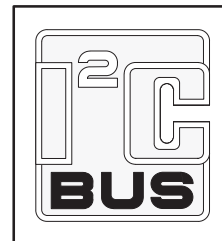
- ISO-9001
- AS9120 certification
- Qualified Manufacturers List (QML) MIL-PRF-35835
 - Class Q Military
 - Class V Space Level
- Qualified Suppliers List of Distributors (QSLD)
 - Rochester is a critical supplier to DLA and meets all industry and DLA standards.

Rochester Electronics, LLC is committed to supplying products that satisfy customer expectations for quality and are equal to those originally supplied by industry manufacturers.

The original manufacturer's datasheet accompanying this document reflects the performance and specifications of the Rochester manufactured version of this device. Rochester Electronics guarantees the performance of its semiconductor products to the original OCM specifications. 'Typical' values are for reference purposes only. Certain minimum or maximum ratings may be based on product characterization, design, simulation, or sample testing.

FOR REFERENCE ONLY

DATA SHEET



P87C552

80C51 8-bit microcontroller

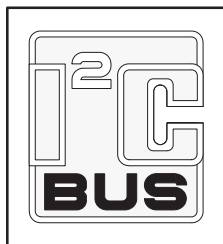
8K/256 OTP, 8 channel 10 bit A/D, I²C, PWM,
capture/compare, high I/O, low voltage (2.7 V to 5.5 V),
low power

Product data
Supersedes data of 1999 Mar 30

2003 Apr 01

80C51 8-bit microcontroller
8K/256 OTP, 8 channel 10 bit A/D, I²C, PWM,
capture/compare, high I/O, low voltage (2.7 V to 5.5 V), low power

P87C552



DESCRIPTION

The 87C552 Single-Chip 8-Bit Microcontroller is manufactured in an advanced CMOS process and is a derivative of the 80C51 microcontroller family. The 87C552 has the same instruction set as the 80C51.

The 87C552 contains a 8k × 8 non-volatile EPROM, a 256 × 8 read/write data memory, five 8-bit I/O ports, one 8-bit input port, two 16-bit timer/event counters (identical to the timers of the 80C51), an additional 16-bit timer coupled to capture and compare latches, a 15-source, four-priority-level, nested interrupt structure, an 8-input ADC, a dual DAC pulse width modulated interface, two serial interfaces (UART and I²C-bus), a “watchdog” timer and on-chip oscillator and timing circuits. For systems that require extra capability, the 8x552 can be expanded using standard TTL compatible memories and logic.

In addition, the 8x552 has two software selectable modes of power reduction—idle mode and power-down mode. The idle mode freezes the CPU while allowing the RAM, timers, serial ports, and interrupt system to continue functioning. Optionally, the ADC can be operated in Idle mode. The power-down mode saves the RAM contents but freezes the oscillator, causing all other chip functions to be inoperative.

The device also functions as an arithmetic processor having facilities for both binary and BCD arithmetic plus bit-handling capabilities. The instruction set consists of over 100 instructions: 49 one-byte, 45 two-byte, and 17 three-byte. With a 16MHz crystal, 58% of the instructions are executed in 0.75μs and 40% in 1.5μs. Multiply and divide instructions require 3μs.

FEATURES

- 80C51 central processing unit
- 8k × 8 EPROM expandable externally to 64k bytes
- An additional 16-bit timer/counter coupled to four capture registers and three compare registers
- Two standard 16-bit timer/counters
- 256 × 8 RAM, expandable externally to 64k bytes
- Capable of producing eight synchronized, timed outputs
- A 10-bit ADC with eight multiplexed analog inputs
- Fast 8-bit ADC option
- Two 8-bit resolution, pulse width modulation outputs
- Five 8-bit I/O ports plus one 8-bit input port shared with analog inputs
- I²C-bus serial I/O port with byte oriented master and slave functions
- On-chip watchdog timer
- Extended temperature ranges
- Full static operation – 0 to 16 MHz
- Operating voltage range: 2.7V to 5.5V (0 to 16MHz)
- Security bits:
 - OTP/EPROM – 3 bits
- Encryption array – 64 bytes
- 4 level priority interrupt
- 15 interrupt sources
- Full-duplex enhanced UART
 - Framing error detection
 - Automatic address recognition
- Power control modes
 - Clock can be stopped and resumed
 - Idle mode
 - Power down mode
- Second DPTR register
- ALE inhibit for EMI reduction
- Programmable I/O pins
- Wake-up from power-down by external interrupts
- Software reset
- Power-on detect reset
- ADC charge pump disable
- ONCE mode
- ADC active in Idle mode

80C51 8-bit microcontroller
 8K/256 OTP, 8 channel 10 bit A/D, I²C, PWM,
 capture/compare, high I/O, low voltage (2.7 V to 5.5 V), low power

P87C552

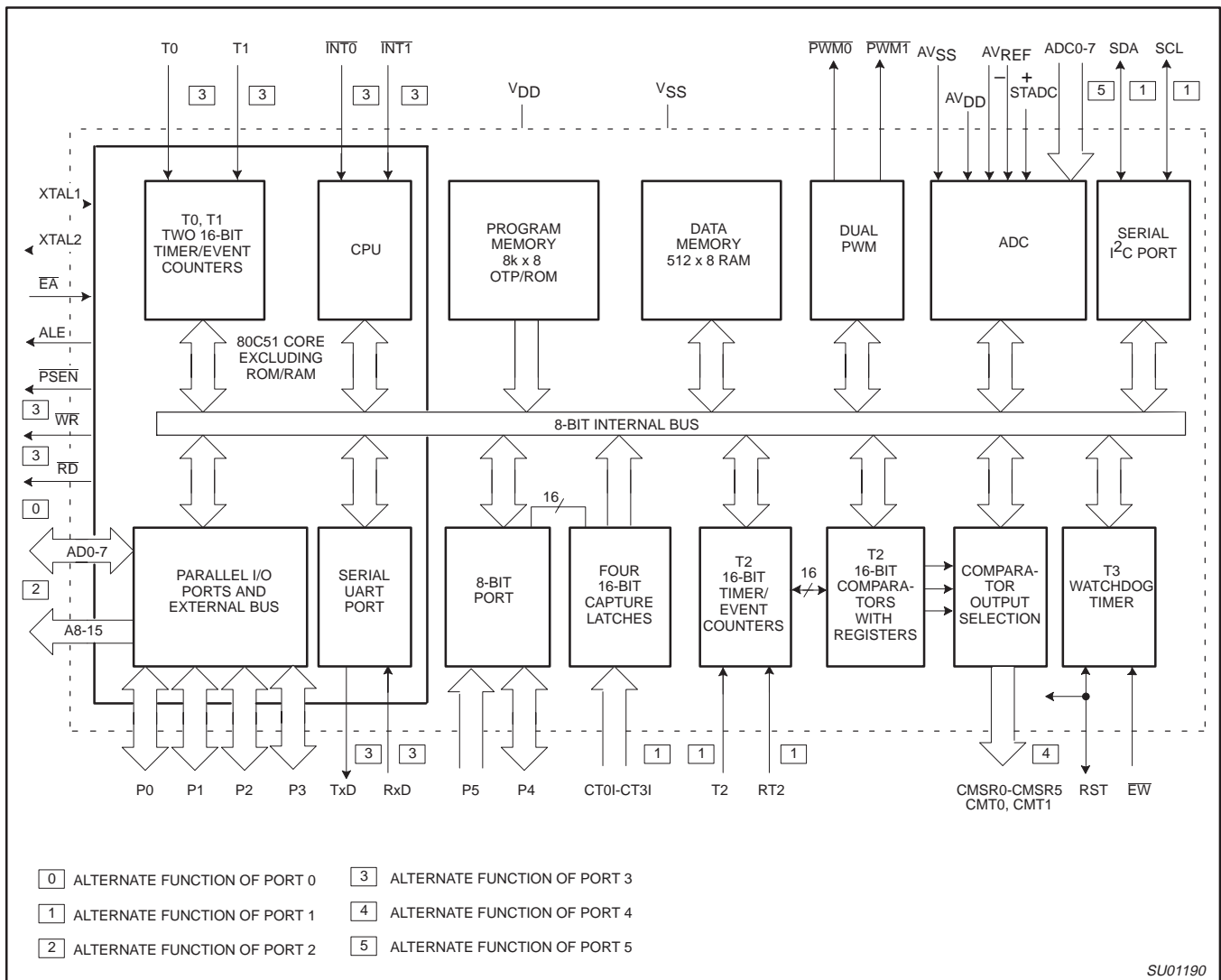
ORDERING INFORMATION

OTP/EPROM	TEMPERATURE °C AND PACKAGE	FREQ. (MHz)	DRAWING NUMBER
P87C552SBAA	0 to +70, Plastic Leaded Chip Carrier	16	SOT188-3

PART NUMBER DERIVATION

DEVICE NUMBER (P87C552)	FREQUENCY MAX (S)	TEMPERATURE RANGE (B)	PACKAGE (AA)
P87C552 OTP	S = 16 MHz	B = 0°C to 70°C F = -40°C to 85°C	AA = PLCC

BLOCK DIAGRAM



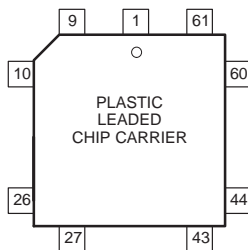
SU01190

80C51 8-bit microcontroller
 8K/256 OTP, 8 channel 10 bit A/D, I²C, PWM,
 capture/compare, high I/O, low voltage (2.7 V to 5.5 V), low power

P87C552

PIN CONFIGURATIONS

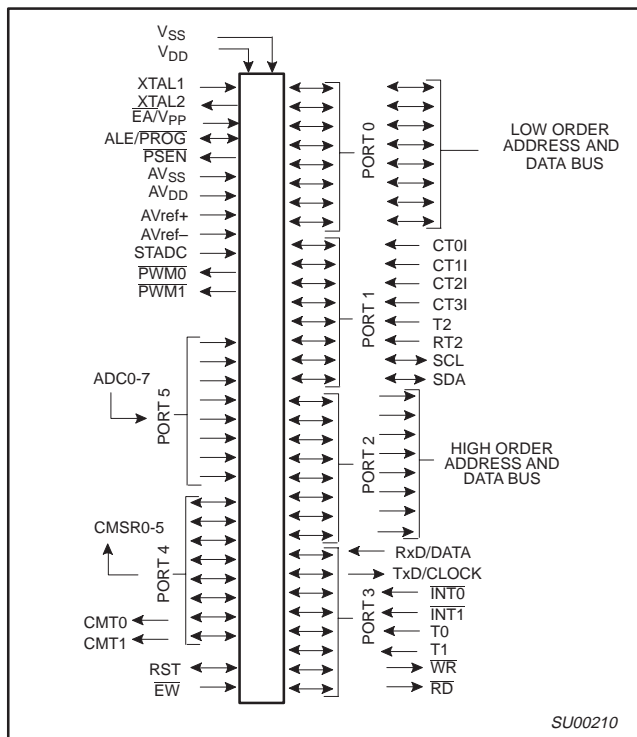
Plastic Leaded Chip Carrier pin functions



Pin	Function	Pin	Function	Pin	Function
1	P5.0/ADC0	24	P3.0/RxD	47	PSEN
2	V _{DD}	25	P3.1/TxD	48	ALE/PROG
3	STADC	26	P3.2/INT0	49	EA/V _{PP}
4	PWM0	27	P3.3/INT1	50	P0.7/AD7
5	PWM1	28	P3.4/T0	51	P0.6/AD6
6	EW	29	P3.5/T1	52	P0.5/AD5
7	P4.0/CMSR0	30	P3.6/WR	53	P0.4/AD4
8	P4.1/CMSR1	31	P3.7/RD	54	P0.3/AD3
9	P4.2/CMSR2	32	NC	55	P0.2/AD2
10	P4.3/CMSR3	33	NC	56	P0.1/AD1
11	P4.4/CMSR4	34	XTAL2	57	P0.0/AD0
12	P4.5/CMSR5	35	XTAL1	58	AVref-
13	P4.6/CMT0	36	V _{SS}	59	AVref+
14	P4.7/CMT1	37	V _{SS}	60	AV _{SS}
15	RST	38	NC	61	AV _{DD}
16	P1.0/CT0I	39	P2.0/A08	62	P5.7/ADC7
17	P1.1/CT1I	40	P2.1/A09	63	P5.6/ADC6
18	P1.2/CT2I	41	P2.2/A10	64	P5.5/ADC5
19	P1.3/CT3I	42	P2.3/A11	65	P5.4/ADC4
20	P1.4/T2	43	P2.4/A12	66	P5.3/ADC3
21	P1.5/RT2	44	P2.5/A13	67	P5.2/ADC2
22	P1.6/SCL	45	P2.6/A14	68	P5.1/ADC1
23	P1.7/SDA	46	P2.7/A15		

SU00208

LOGIC SYMBOL



SU00210

80C51 8-bit microcontroller
 8K/256 OTP, 8 channel 10 bit A/D, I²C, PWM,
 capture/compare, high I/O, low voltage (2.7 V to 5.5 V), low power

P87C552

PIN DESCRIPTION

MNEMONIC	PIN NO.		TYPE	NAME AND FUNCTION															
	PLCC	QFP																	
V _{DD}	2	72	I	Digital Power Supply: Positive voltage power supply pin during normal operation, idle and power-down mode.															
STADC	3	74	I	Start ADC Operation: Input starting analog to digital conversion (ADC operation can also be started by software).															
PWM ₀	4	75	O	Pulse Width Modulation: Output 0.															
PWM ₁	5	76	O	Pulse Width Modulation: Output 1.															
EW	6	77	I	Enable Watchdog Timer: Enable for T3 watchdog timer and disable power-down mode.															
P0.0-P0.7	57-50	58-51	I/O	Port 0: Port 0 is an 8-bit open-drain bidirectional I/O port. Port 0 pins that have 1s written to them float and can be used as high-impedance inputs. Port 0 is also the multiplexed low-order address and data bus during accesses to external program and data memory. In this application it uses strong internal pull-ups when emitting 1s. Port 0 is also used to input the code byte during programming and to output the code byte during verification.															
P1.0-P1.7	16-23	10-17	I/O	Port 1: 8-bit I/O port. Alternate functions include: (P1.0-P1.5): Programmable I/O port pins. (P1.6, P1.7): Open drain port pins. CT0I-CT3I (P1.0-P1.3): Capture timer input signals for timer T2. T2 (P1.4): T2 event input. RT2 (P1.5): T2 timer reset signal. Rising edge triggered. SCL (P1.6): Serial port clock line I ² C-bus. SDA (P1.7): Serial port data line I ² C-bus. Port 1 has four modes selected on a per bit basis by writing to the P1M1 and P1M2 registers as follows: <table border="1"> <thead> <tr> <th>P1M1.x</th> <th>P1M2.x</th> <th>Mode Description</th> </tr> </thead> <tbody> <tr> <td>0</td> <td>0</td> <td>Pseudo-bidirectional (standard c51 configuration; default)</td> </tr> <tr> <td>0</td> <td>1</td> <td>Push-Pull</td> </tr> <tr> <td>1</td> <td>0</td> <td>High impedance</td> </tr> <tr> <td>1</td> <td>1</td> <td>Open drain</td> </tr> </tbody> </table> Port 1 is also used to input the lower order address byte during EPROM programming and verification. A0 is on P1.0, etc.	P1M1.x	P1M2.x	Mode Description	0	0	Pseudo-bidirectional (standard c51 configuration; default)	0	1	Push-Pull	1	0	High impedance	1	1	Open drain
	P1M1.x	P1M2.x	Mode Description																
	0	0	Pseudo-bidirectional (standard c51 configuration; default)																
	0	1	Push-Pull																
	1	0	High impedance																
	1	1	Open drain																
	16-21	10-15	I/O																
	22-23	16-17	I/O																
16-19	10-13	I																	
20	14	I																	
21	15	I																	
22	16	I/O																	
23	17	I/O																	
P2.0-P2.7	39-46	38-42, 45-47	I/O	Port 2: 8-bit programmable I/O port. Alternate function: High-order address byte for external memory (A08-A15). Port 2 is also used to input the upper order address during EPROM programming and verification. A8 is on P2.0, A9 on P2.1, through A12 on P2.4. Port 2 has four output modes selected on a per bit basis by writing to the P2M1 and P2M2 registers as follows: <table border="1"> <thead> <tr> <th>P2M1.x</th> <th>P2M2.x</th> <th>Mode Description</th> </tr> </thead> <tbody> <tr> <td>0</td> <td>0</td> <td>Pseudo-bidirectional (standard c51 configuration; default)</td> </tr> <tr> <td>0</td> <td>1</td> <td>Push-Pull</td> </tr> <tr> <td>1</td> <td>0</td> <td>High impedance</td> </tr> <tr> <td>1</td> <td>1</td> <td>Open drain</td> </tr> </tbody> </table>	P2M1.x	P2M2.x	Mode Description	0	0	Pseudo-bidirectional (standard c51 configuration; default)	0	1	Push-Pull	1	0	High impedance	1	1	Open drain
P2M1.x	P2M2.x	Mode Description																	
0	0	Pseudo-bidirectional (standard c51 configuration; default)																	
0	1	Push-Pull																	
1	0	High impedance																	
1	1	Open drain																	
P3.0-P3.7	24-31	18-20, 23-27	I/O	Port 3: 8-bit programmable I/O port. Alternate functions include: RxD(P3.0): Serial input port. TxD (P3.1): Serial output port. INT₀ (P3.2): External interrupt. INT₁ (P3.3): External interrupt. T0 (P3.4): Timer 0 external input. T1 (P3.5): Timer 1 external input. WR (P3.6): External data memory write strobe. RD (P3.7): External data memory read strobe. Port 3 has four modes selected on a per bit basis by writing to the P3M1 and P3M2 registers as follows: <table border="1"> <thead> <tr> <th>P3M1.x</th> <th>P3M2.x</th> <th>Mode Description</th> </tr> </thead> <tbody> <tr> <td>0</td> <td>0</td> <td>Pseudo-bidirectional (standard c51 configuration; default)</td> </tr> <tr> <td>0</td> <td>1</td> <td>Push-Pull</td> </tr> <tr> <td>1</td> <td>0</td> <td>High impedance</td> </tr> <tr> <td>1</td> <td>1</td> <td>Open drain</td> </tr> </tbody> </table>	P3M1.x	P3M2.x	Mode Description	0	0	Pseudo-bidirectional (standard c51 configuration; default)	0	1	Push-Pull	1	0	High impedance	1	1	Open drain
	P3M1.x	P3M2.x	Mode Description																
	0	0	Pseudo-bidirectional (standard c51 configuration; default)																
	0	1	Push-Pull																
	1	0	High impedance																
	1	1	Open drain																
	24	18																	
	25	19																	
26	20																		
27	23																		
28	24																		
29	25																		
30	26																		
31	27																		

80C51 8-bit microcontroller
 8K/256 OTP, 8 channel 10 bit A/D, I²C, PWM,
 capture/compare, high I/O, low voltage (2.7 V to 5.5 V), low power

P87C552

PIN DESCRIPTION (Continued)

MNEMONIC	PIN NO.		TYPE	NAME AND FUNCTION															
	PLCC	QFP																	
P4.0-P4.7	7-14	80, 1-2 4-8	I/O	Port 4: 8-bit programmable I/O port. Alternate functions include: CMSR0-CMSR5 (P4.0-P4.5): Timer T2 compare and set/reset outputs on a match with timer T2. CMT0, CMT1 (P4.6, P4.7): Timer T2 compare and toggle outputs on a match with timer T2. Port 4 has four modes selected on a per bit basis by writing to the P4M1 and P4M2 registers as follows: <table border="1" style="margin-left: 40px;"> <thead> <tr> <th>P4M1.x</th> <th>P4M2.x</th> <th>Mode Description</th> </tr> </thead> <tbody> <tr> <td>0</td> <td>0</td> <td>Pseudo-bidirectional (standard c51 configuration; default)</td> </tr> <tr> <td>0</td> <td>1</td> <td>Push-Pull</td> </tr> <tr> <td>1</td> <td>0</td> <td>High impedance</td> </tr> <tr> <td>1</td> <td>1</td> <td>Open drain</td> </tr> </tbody> </table>	P4M1.x	P4M2.x	Mode Description	0	0	Pseudo-bidirectional (standard c51 configuration; default)	0	1	Push-Pull	1	0	High impedance	1	1	Open drain
P4M1.x	P4M2.x	Mode Description																	
0	0	Pseudo-bidirectional (standard c51 configuration; default)																	
0	1	Push-Pull																	
1	0	High impedance																	
1	1	Open drain																	
P5.0-P5.7	68-62, 1	71-64	I	Port 5: 8-bit input port. ADC0-ADC7 (P5.0-P5.7): Alternate function: Eight input channels to the ADC.															
RST	15	9	I/O	Reset: Input to reset the 87C552. It also provides a reset pulse as output when timer T3 overflows.															
XTAL1	35	32	I	Crystal Input 1: Input to the inverting amplifier that forms the oscillator, and input to the internal clock generator. Receives the external clock signal when an external oscillator is used.															
XTAL2	34	31	O	Crystal Input 2: Output of the inverting amplifier that forms the oscillator. Left open-circuit when an external clock is used.															
V _{SS}	36, 37	34-36	I	Digital ground.															
$\overline{\text{PSEN}}$	47	48	O	Program Store Enable: Active-low read strobe to external program memory.															
$\overline{\text{ALE/PROG}}$	48	49	O	Address Latch Enable: Latches the low byte of the address during accesses to external memory. It is activated every six oscillator periods. During an external data memory access, one ALE pulse is skipped. ALE can drive up to eight LS TTL inputs and handles CMOS inputs without an external pull-up. This pin is also the program pulse input ($\overline{\text{PROG}}$) during EPROM programming.															
$\overline{\text{EA}}/V_{\text{PP}}$	49	50	I	External Access: When $\overline{\text{EA}}$ is held at TTL level high, the CPU executes out of the internal program ROM provided the program counter is less than 8,192. When $\overline{\text{EA}}$ is held at TTL low level, the CPU executes out of external program memory. $\overline{\text{EA}}$ is not allowed to float. This pin also receives the 12.75V programming supply voltage (V_{PP}) during EPROM programming.															
AV _{REF-}	58	59	I	Analog to Digital Conversion Reference Resistor: Low-end.															
AV _{REF+}	59	60	I	Analog to Digital Conversion Reference Resistor: High-end.															
AV _{SS}	60	61	I	Analog Ground															
AV _{DD}	61	63	I	Analog Power Supply															

NOTE:

- To avoid "latch-up" effect at power-on, the voltage on any pin at any time must not be higher or lower than $V_{\text{DD}} + 0.5\text{V}$ or $V_{\text{SS}} - 0.5\text{V}$, respectively.

80C51 8-bit microcontroller
 8K/256 OTP, 8 channel 10 bit A/D, I²C, PWM,
 capture/compare, high I/O, low voltage (2.7 V to 5.5 V), low power

P87C552

Table 1. 87C552 Special Function Registers

SYMBOL	DESCRIPTION	DIRECT ADDRESS	BIT ADDRESS, SYMBOL, OR ALTERNATIVE PORT FUNCTION								RESET VALUE
			MSB				LSB				
ACC*	Accumulator	E0H	E7	E6	E5	E4	E3	E2	E1	E0	00H
ADCH#	A/D converter high	C6H									xxxxxxxB
ADCON#	A/D control	C5H	ADC.1	ADC.0	ADEX	ADCI	ADCS	AADR2	AADR1	AADR0	xx00000B
AUXR	Auxillary	8EH	–	–	–	–	–	LVADC	–	A0	xxxxx110B
AUXR1	Auxillary	A2H	ADC8	AIDL	SRST	GF2	WUPD	O	–	DPS	000000x0B
B*	B register	F0H	F7	F6	F5	F4	F3	F2	F1	F0	00H
CTCON#	Capture control	EBH	CTN3	CTP3	CTN2	CTP2	CTN1	CTP1	CTN0	CTP0	00H
CTH3#	Capture high 3	CFH									xxxxxxxB
CTH2#	Capture high 2	CEH									xxxxxxxB
CTH1#	Capture high 1	CDH									xxxxxxxB
CTH0#	Capture high 0	CCH									xxxxxxxB
CMH2#	Compare high 2	CBH									00H
CMH1#	Compare high 1	CAH									00H
CMH0#	Compare high 0	C9H									00H
CTL3#	Capture low 3	AFH									xxxxxxxB
CTL2#	Capture low 2	AEH									xxxxxxxB
CTL1#	Capture low 1	ADH									xxxxxxxB
CTL0#	Capture low 0	ACH									xxxxxxxB
CML2#	Compare low 2	ABH									00H
CML1#	Compare low 1	AAH									00H
CML0#	Compare low 0	A9H									00H
DPTR:	Data pointer (2 bytes):										
DPH	Data pointer high	83H									00H
DPL	Data pointer low	82H									00H
			AF	AE	AD	AC	AB	AA	A9	A8	
IEN0*#	Interrupt enable 0	A8H	EA	EAD	ES1	ES0	ET1	EX1	ET0	EX0	00H
			EF	EE	ED	EC	EB	EA	E9	E8	
IEN1*#	Interrupt enable 1	E8H	ET2	ECM2	ECM1	ECM0	ECT3	ECT2	ECT1	ECT0	00H
			BF	BE	BD	BC	BB	BA	B9	B8	
IP0*#	Interrupt priority 0	B8H	–	PAD	PS1	PS0	PT1	PX1	PT0	PX0	x0000000B
			FF	FE	FD	FC	FB	FA	F9	F8	
IP0H	Interrupt priority 0 high	B7H	–	PADH	PS1H	PS0H	PT1H	PX1H	PT0H	PX0H	x0000000B
IP1*#	Interrupt priority1	F8H	PT2	PCM2	PCM1	PCM0	PCT3	PCT2	PCT1	PCT0	00H
IP1H	Interrupt priority 1 high	F7H	PT2H	PCM2H	PCM1H	PCM0H	PCT3H	PCT2H	PCT1H	PCT0H	00H
P5#	Port 5	C4H	ADC7	ADC6	ADC5	ADC4	ADC3	ADC2	ADC1	ADC0	xxxxxxxB
			C7	C6	C5	C4	C3	C2	C1	C0	
P4#*	Port 4	C0H	CMT1	CMT0	CMSR5	CMSR4	CMSR3	CMSR2	CMSR1	CMSR0	FFH
			B7	B6	B5	B4	B3	B2	B1	B0	
P3*	Port 3	B0H	RD	WR	T1	T0	INT1	INT0	TXD	RXD	FFH
			A7	A6	A5	A4	A3	A2	A1	A0	
P2*	Port 2	A0H	A15	A14	A13	A12	A11	A10	A9	A8	FFH
			97	96	95	94	93	92	91	90	
P1*	Port 1	90H	SDA	SCL	RT2	T2	CT3I	CT2I	CT1I	CT0I	FFH
			87	86	85	84	83	82	81	80	
P0*	Port 0	80H	AD7	AD6	AD5	AD4	AD3	AD2	AD1	AD0	FFH

80C51 8-bit microcontroller
 8K/256 OTP, 8 channel 10 bit A/D, I²C, PWM,
 capture/compare, high I/O, low voltage (2.7 V to 5.5 V), low power

P87C552

SYMBOL	DESCRIPTION	DIRECT ADDRESS	BIT ADDRESS, SYMBOL, OR ALTERNATIVE PORT FUNCTION								RESET VALUE
			MSB							LSB	
P1M1	Port 1 output mode 1	92H									xx00000B
P1M2	Port 1 output mode 2	93H									xx00000B
P2M1	Port 2 output mode 1	94H									00H
P2M2	Port 2 output mode 2	95H									00H
P3M1	Port 3 output mode 1	9AH									00H
P3M2	Port 3 output mode 2	9BH									00H
P4M1	Port 4 output mode 1	9CH									00H
P4M2	Port 4 output mode 2	9DH									00H
PCON	Power control	87H	SMOD1	SMOD0	POF	WLE	GF1	GFO	PD	IDL	00x00000B
PSW	Program status word	D0H	CY	AC	FO	RS1	RS0	OV	F1	P	00H
PWMP#	PWM prescaler	FEH									00H
PWM1#	PWM register 1	FDH									00H
PWM0#	PWM register 0	FCH									00H
RTE#	Reset/toggle enable	EFH	TP47	TP46	RP45	RP44	RP43	RP42	RP41	RP40	00H
S0ADDR	Serial 0 slave address	F9H									00H
S0ADEN	Slave address mask	B9H									00H
S0BUF	Serial 0 data buffer	99H									xxxxxxxxB
			9F	9E	9D	9C	9B	9A	99	98	
S0CON*	Serial 0 control	98H	SM0/FE	SM1	SM2	REN	TB8	RB8	TI	RI	00H
S1ADR#	Serial 1 address	DBH	SLAVE ADDRESS							GC	00H
SIDAT#	Serial 1 data	DAH									00H
S1STA#	Serial 1 status	D9H	SC4	SC3	SC2	SC1	SC0	0	0	0	F8H
			DF	DE	DD	DC	DB	DA	D9	D8	
S1CON#*	Serial 1 control	D8H	CR2	ENS1	STA	ST0	SI	AA	CR1	CR0	00H
SP	Stack pointer	81H									07H
STE#	Set enable	EEH	TG47	TG46	SP45	SP44	SP43	SP42	SP41	SP40	C0H
TH1	Timer high 1	8DH									00H
TH0	Timer high 0	8CH									00H
TL1	Timer low 1	8BH									00H
TL0	Timer low 0	8AH									00H
TMH2#	Timer high 2	EDH									00H
TML2#	Timer low 2	ECH									00H
TMOD	Timer mode	89H	GATE	C/T	M1	M0	GATE	C/T	M1	M0	00H
			8F	8E	8D	8C	8B	8A	89	88	
TCON*	Timer control	88H	TF1	TR1	TF0	TR0	IE1	IT1	IE0	IT0	00H
TM2CON#	Timer 2 control	EAH	T2IS1	T2IS0	T2ER	T2B0	T2P1	T2P0	T2MS1	T2MS0	00H
			CF	CE	CD	CC	CB	CA	C9	C8	
TM2IR#*	Timer 2 int flag reg	C8H	T20V	CMI2	CMI1	CMI0	CTI3	CTI2	CTI1	CTI0	00H
T3#	Timer 3	FFH									00H

* SFRs are bit addressable.

SFRs are modified from or added to the 80C51 SFRs.

80C51 8-bit microcontroller
 8K/256 OTP, 8 channel 10 bit A/D, I²C, PWM,
 capture/compare, high I/O, low voltage (2.7 V to 5.5 V), low power

P87C552

OSCILLATOR CHARACTERISTICS

XTAL1 and XTAL2 are the input and output, respectively, of an inverting amplifier. The pins can be configured for use as an on-chip oscillator, as shown in the logic symbol.

To drive the device from an external clock source, XTAL1 should be driven while XTAL2 is left unconnected. There are no requirements on the duty cycle of the external clock signal, because the input to the internal clock circuitry is through a divide-by-two flip-flop. However, minimum and maximum high and low times specified in the data sheet must be observed.

RESET

A reset is accomplished by either (1) externally holding the RST pin high for at least two machine cycles (24 oscillator periods) or (2) internally by an on-chip power-on detect (POD) circuit which detects V_{CC} ramping up from 0V.

To insure a good external power-on reset, the RST pin must be high long enough for the oscillator to start up (normally a few milliseconds) plus two machine cycles. The voltage on V_{DD} and the RST pin must come up at the same time for a proper startup.

For a successful internal power-on reset, the V_{CC} voltage must ramp up from 0V smoothly at a ramp rate greater than 5V/100 ms.

The RST line can also be pulled HIGH internally by a pull-up transistor activated by the watchdog timer T3. The length of the output pulse from T3 is 3 machine cycles. A pulse of such short duration is necessary in order to recover from a processor or system fault as fast as possible.

Note that the short reset pulse from Timer T3 cannot discharge the power-on reset capacitor (see Figure 2). Consequently, when the watchdog timer is also used to set external devices, this capacitor arrangement should not be connected to the RST pin, and a different circuit should be used to perform the power-on reset operation. A timer T3 overflow, if enabled, will force a reset condition to the 8XC554 by an internal connection, independent of the level of the RST pin.

A reset may be performed in software by setting the software reset bit, SRST (AUXR1.5).

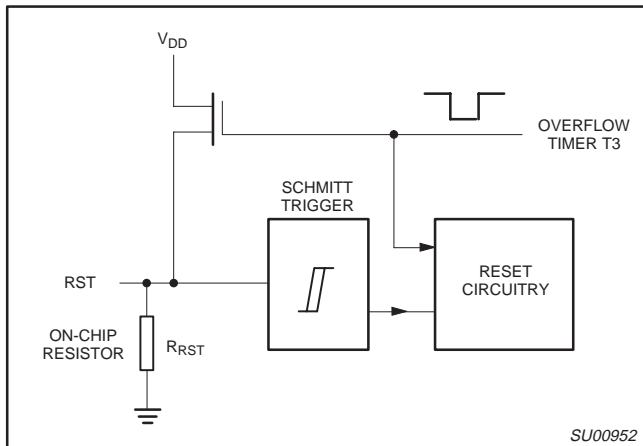


Figure 1. On-Chip Reset Configuration

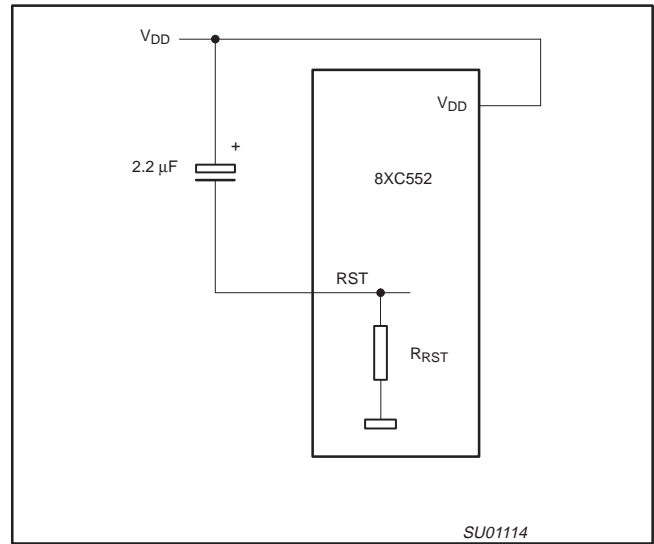


Figure 2. Power-On Reset

LOW POWER MODES

Stop Clock Mode

The static design enables the clock speed to be reduced down to 0 MHz (stopped). When the oscillator is stopped, the RAM and Special Function Registers retain their values. This mode allows step-by-step utilization and permits reduced system power consumption by lowering the clock frequency down to any value. For lowest power consumption the Power Down mode is suggested.

Idle Mode

In the idle mode (see Table 2), the CPU puts itself to sleep while some of the on-chip peripherals stay active. The instruction to invoke the idle mode is the last instruction executed in the normal operating mode before the idle mode is activated. The CPU contents, the on-chip RAM, and all of the special function registers remain intact during this mode. The idle mode can be terminated either by any enabled interrupt (at which time the process is picked up at the interrupt service routine and continued), or by a hardware reset which starts the processor in the same manner as a power-on reset.

Power-Down Mode

To save even more power, a Power Down mode (see Table 2) can be invoked by software. In this mode, the oscillator is stopped and the instruction that invoked Power Down is the last instruction executed. The on-chip RAM and Special Function Registers retain their values down to 2.0V and care must be taken to return V_{CC} to the minimum specified operating voltages before the Power Down Mode is terminated.

Either a hardware reset or external interrupt can be used to exit from Power Down. The Wake-up from Power-down bit, WUPD (AUXR1.3) must be set in order for an external interrupt to cause a wake-up from power-down. Reset redefines all the SFRs but does not change the on-chip RAM. An external interrupt allows both the SFRs and the on-chip RAM to retain their values.

To properly terminate Power Down the reset or external interrupt should not be executed before V_{CC} is restored to its normal operating level and must be held active long enough for the oscillator to restart and stabilize (normally less than 10ms).

80C51 8-bit microcontroller
 8K/256 OTP, 8 channel 10 bit A/D, I²C, PWM,
 capture/compare, high I/O, low voltage (2.7 V to 5.5 V), low power

P87C552

Table 2. External Pin Status During Idle and Power-Down Modes

MODE	PROGRAM MEMORY	ALE	PSEN	PORT 0	PORT 1	PORT 2	PORT 3	PORT 4	PWM0/PWM1
Idle	Internal	1	1	Data	Data	Data	Data	Data	High
Idle	External	1	1	Float	Data	Address	Data	Data	High
Power-down	Internal	0	0	Data	Data	Data	Data	Data	High
Power-down	External	0	0	Float	Data	Data	Data	Data	High

With an external interrupt, INT0 and INT1 must be enabled and configured as level-sensitive. Holding the pin low restarts the oscillator but bringing the pin back high completes the exit. Once the interrupt is serviced, the next instruction to be executed after RETI will be the one following the instruction that put the device into Power Down.

POWER OFF FLAG

The Power Off Flag (POF) is set by on-chip circuitry when the V_{CC} level on the 8XC552 rises from 0 to 5V. The POF bit can be set or cleared by software allowing a user to determine if the reset is the result of a power-on or a warm start after powerdown. The V_{CC} level must remain above 3V for the POF to remain unaffected by the V_{CC} level.

Design Consideration

- When the idle mode is terminated by a hardware reset, the device normally resumes program execution, from where it left off, up to two machine cycles before the internal reset algorithm takes control. On-chip hardware inhibits access to internal RAM in this event, but access to the port pins is not inhibited. To eliminate the possibility of an unexpected write when Idle is terminated by reset, the instruction following the one that invokes Idle should not be one that writes to a port pin or to external memory.

ONCE™ Mode

The ONCE (“On-Circuit Emulation”) Mode facilitates testing and debugging of systems without the device having to be removed from the circuit. The ONCE Mode is invoked by:

1. Pull ALE low while the device is in reset and PSEN is high;
2. Hold ALE low as RST is deactivated.

While the device is in ONCE Mode, the Port 0 pins go into a float state, and the other port pins and ALE and PSEN are weakly pulled high. The oscillator circuit remains active. While the device is in this mode, an emulator or test CPU can be used to drive the circuit. Normal operation is restored when a normal reset is applied.

Reduced EMI Mode

The ALE-Off bit, AO (AUXR.0) can be set to disable the ALE output. It will automatically become active when required for external memory accesses and resume to the OFF state after completing the external memory access.

PCON (87H)		7	6	5	4	3	2	1	0
		SMOD1	SMOD0	POF	WLE	GF1	GF0	PD	IDL
		(MSB)				(LSB)			
BIT	SYMBOL	FUNCTION							
PCON.7	SMOD1	Double Baud rate bit. When set to logic 1, the baud rate is doubled when the serial port SIO0 is being used in modes 1, 2, or 3.							
PCON.6	SMOD0	Selects SM0/FE for SCON.7 bit.							
PCON.5	POF	Power Off Flag							
PCON.4	WLE	Watchdog Load Enable. This flag must be set by software prior to loading timer T3 (watchdog timer). It is cleared when timer T3 is loaded.							
PCON.3	GF1	General-purpose flag bit.							
PCON.2	GF0	General-purpose flag bit.							
PCON.1	PD	Power-down bit. Setting this bit activates the power-down mode. It can only be set if input EW is high.							
PCON.0	IDL	Idle mode bit. Setting this bit activates the Idle mode.							

If logic 1s are written to PD and IDL at the same time, PD takes precedence. The reset value of PCON is (00X00000).

SU00954

Figure 3. Power Control Register (PCON)

80C51 8-bit microcontroller
 8K/256 OTP, 8 channel 10 bit A/D, I²C, PWM,
 capture/compare, high I/O, low voltage (2.7 V to 5.5 V), low power

P87C552

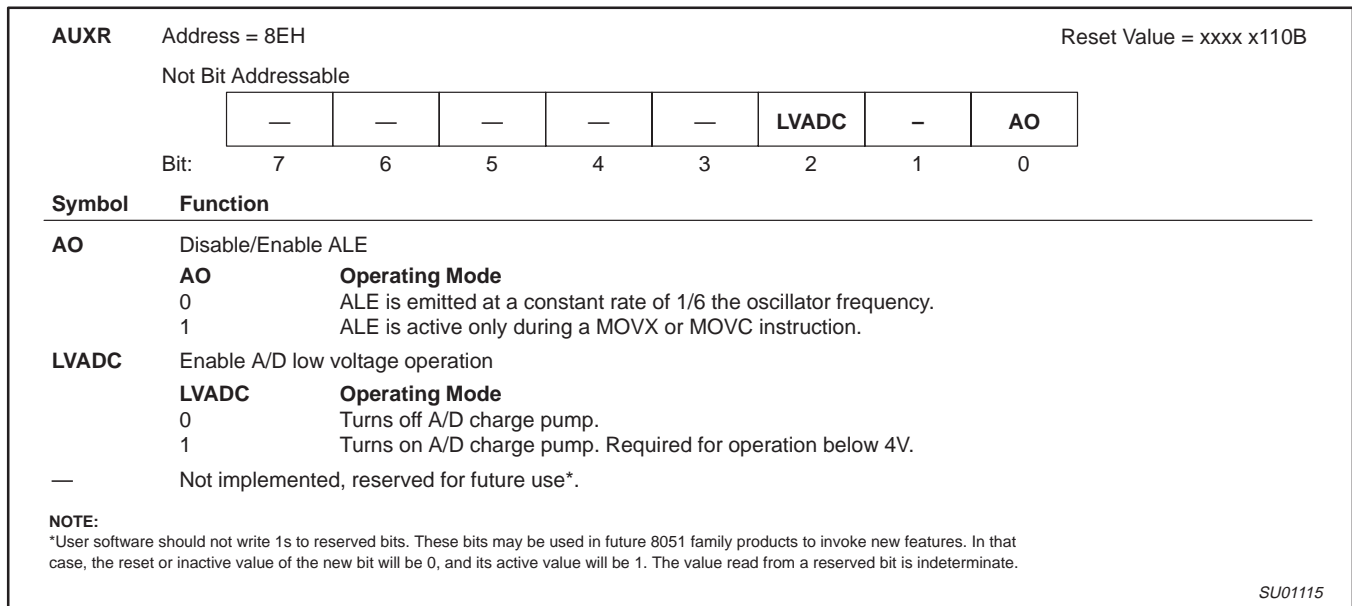


Figure 4. AUXR: Auxiliary Register

Dual DPTR

The dual DPTR structure (see Figure 5) is a way by which the chip will specify the address of an external data memory location. There are two 16-bit DPTR registers that address the external memory, and a single bit called DPS = AUXR1/bit0 that allows the program code to switch between them.

The DPS bit status should be saved by software when switching between DPTR0 and DPTR1.

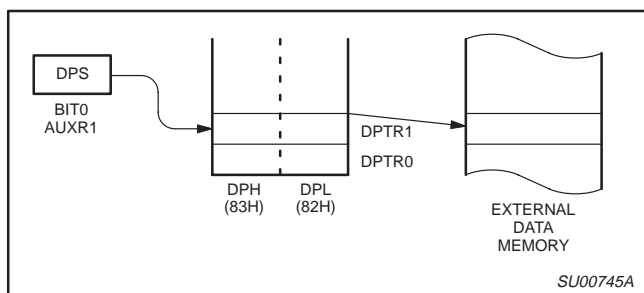


Figure 5.

Note that bit 2 is not writable and is always read as a zero. This allows the DPS bit to be quickly toggled simply by executing an INC AUXR1 instruction without affecting the other bits.

DPTR Instructions

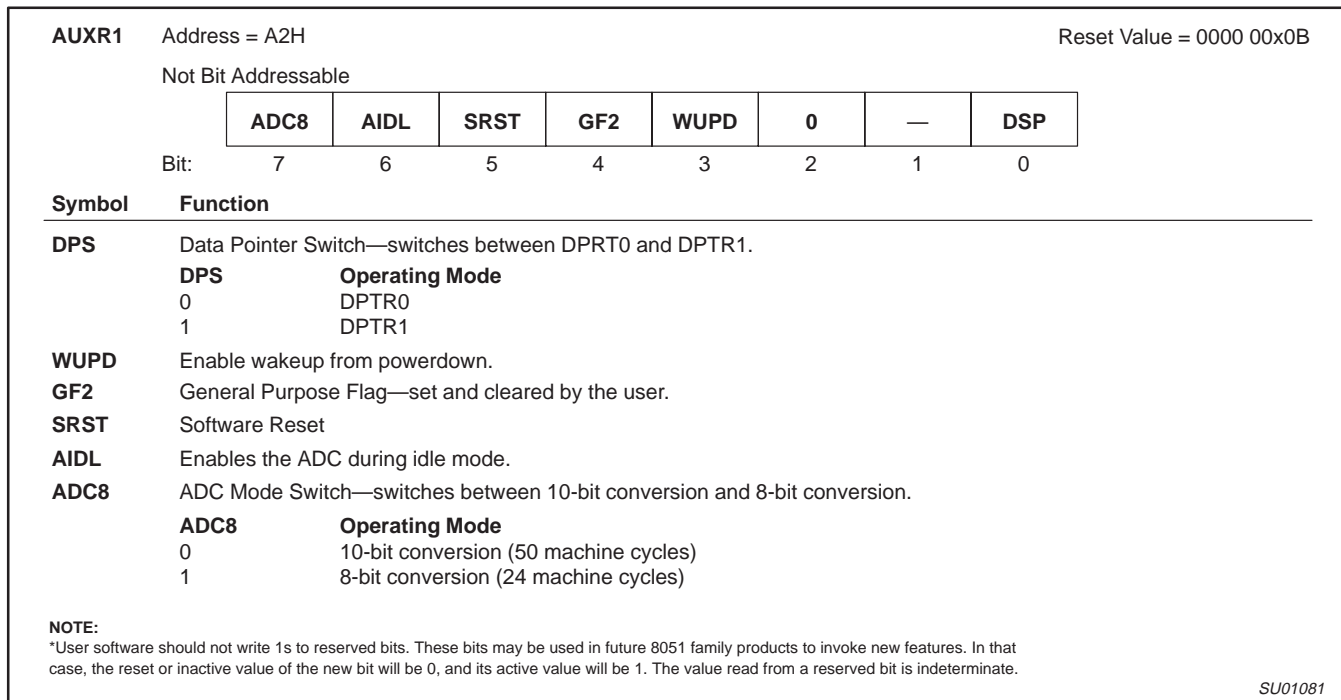
The instructions that refer to DPTR refer to the data pointer that is currently selected using the AUXR1/bit 0 register. The six instructions that use the DPTR are as follows:

- INC DPTR Increments the data pointer by 1
- MOV DPTR, #data16 Loads the DPTR with a 16-bit constant
- MOV A, @ A+DPTR Move code byte relative to DPTR to ACC
- MOVX A, @ DPTR Move external RAM (16-bit address) to ACC
- MOVX @ DPTR, A Move ACC to external RAM (16-bit address)
- JMP @ A + DPTR Jump indirect relative to DPTR

The data pointer can be accessed on a byte-by-byte basis by specifying the low or high byte in an instruction which accesses the SFRs. See application note AN458 for more details.

80C51 8-bit microcontroller
 8K/256 OTP, 8 channel 10 bit A/D, I²C, PWM,
 capture/compare, high I/O, low voltage (2.7 V to 5.5 V), low power

P87C552



SU01081

Figure 6. AUXR1: DPTR Control Register

80C51 8-bit microcontroller
 8K/256 OTP, 8 channel 10 bit A/D, I²C, PWM,
 capture/compare, high I/O, low voltage (2.7 V to 5.5 V), low power

P87C552

Enhanced UART

The UART operates in all of the usual modes that are described in the first section of *Data Handbook IC20, 80C51-Based 8-Bit Microcontrollers*. In addition the UART can perform framing error detect by looking for missing stop bits, and automatic address recognition. The UART also fully supports multiprocessor communication as does the standard 80C51 UART.

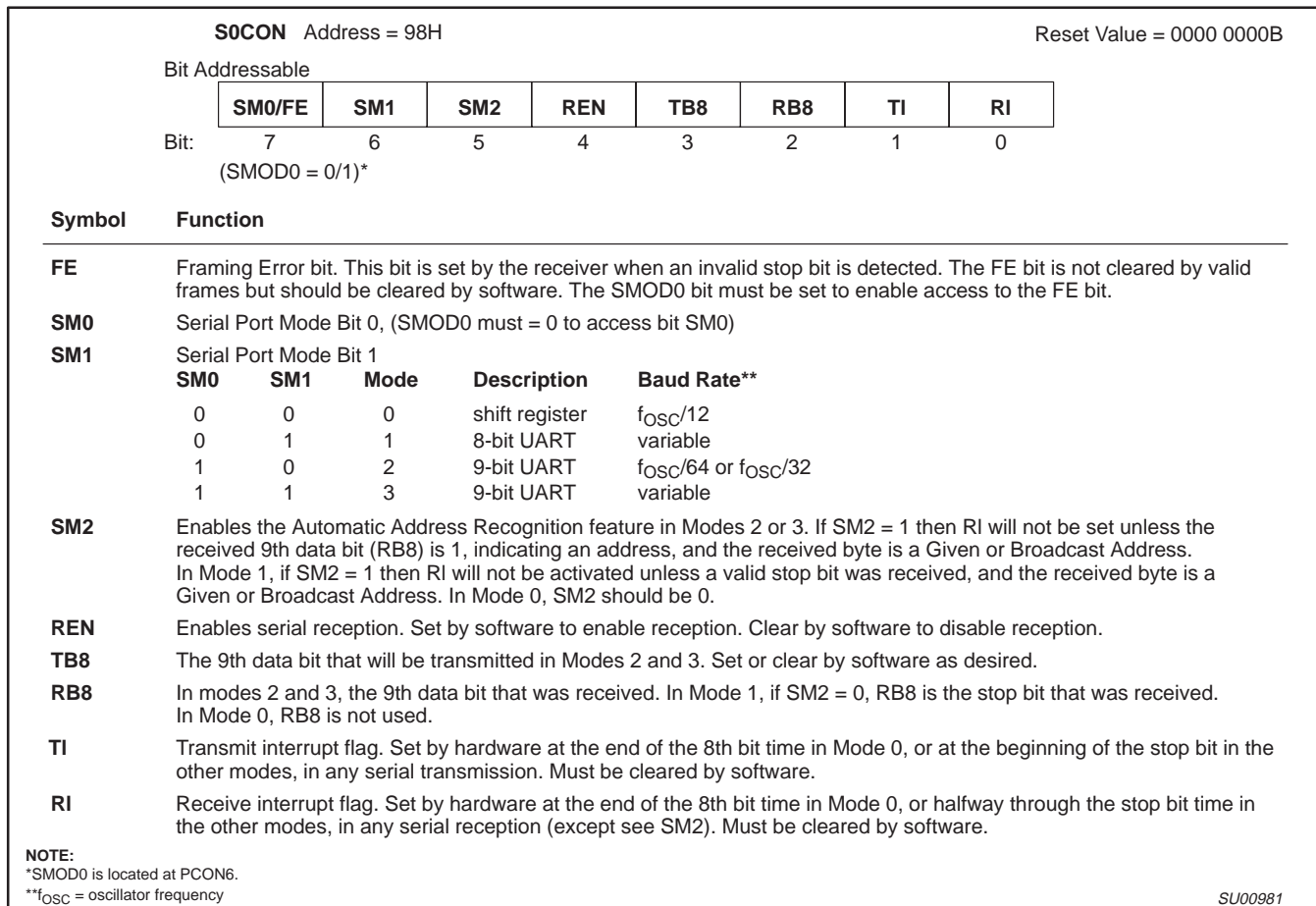
When used for framing error detect the UART looks for missing stop bits in the communication. A missing bit will set the FE bit in the S0CON register. The FE bit shares the S0CON.7 bit with SM0 and the function of S0CON.7 is determined by PCON.6 (SMOD0) (see Figure 7). If SMOD0 is set then S0CON.7 functions as FE. S0CON.7 functions as SM0 when SMOD0 is cleared. When used as FE S0CON.7 can only be cleared by software. Refer to Figure 8.

Automatic Address Recognition

Automatic Address Recognition is a feature which allows the UART to recognize certain addresses in the serial bit stream by using

hardware to make the comparisons. This feature saves a great deal of software overhead by eliminating the need for the software to examine every serial address which passes by the serial port. This feature is enabled by setting the SM2 bit in S0CON. In the 9 bit UART modes, mode 2 and mode 3, the Receive Interrupt flag (RI) will be automatically set when the received byte contains either the "Given" address or the "Broadcast" address. The 9 bit mode requires that the 9th information bit is a 1 to indicate that the received information is an address and not data. Automatic address recognition is shown in Figure 9.

The 8 bit mode is called Mode 1. In this mode the RI flag will be set if SM2 is enabled and the information received has a valid stop bit following the 8 address bits and the information is either a Given or Broadcast address.



SU00981

Figure 7. S0CON: Serial Port Control Register

80C51 8-bit microcontroller
 8K/256 OTP, 8 channel 10 bit A/D, I²C, PWM,
 capture/compare, high I/O, low voltage (2.7 V to 5.5 V), low power

P87C552

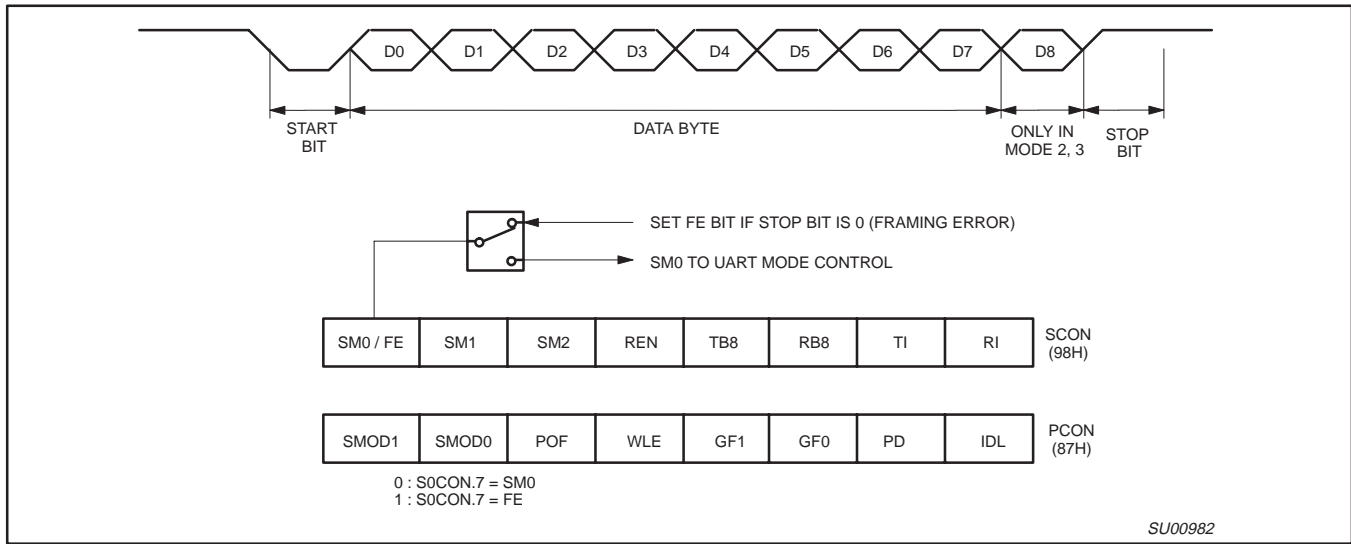


Figure 8. UART Framing Error Detection

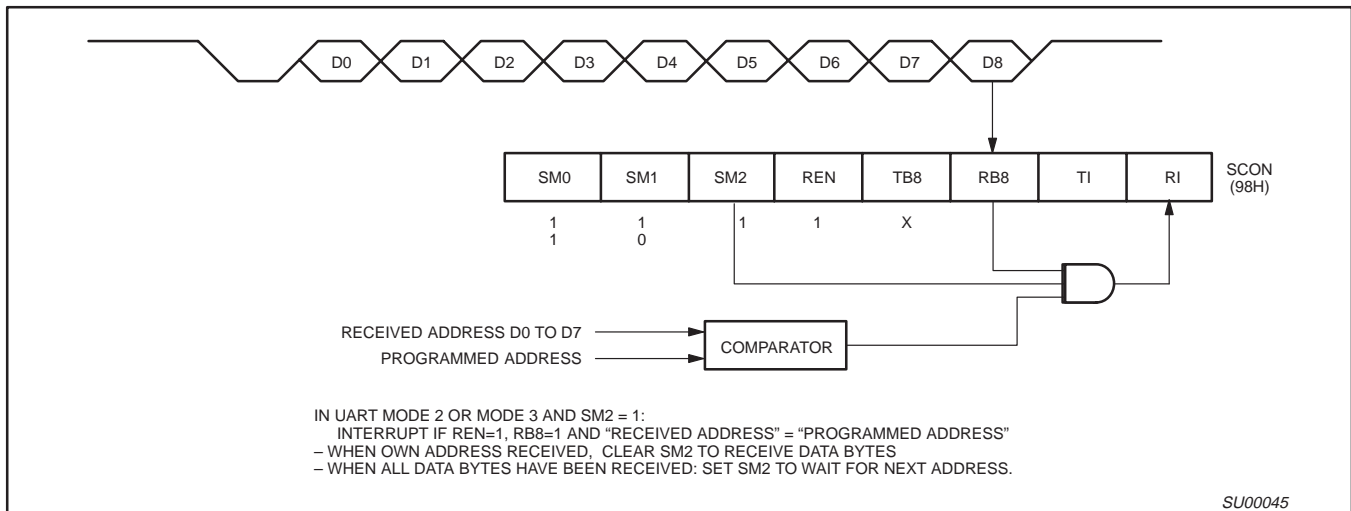


Figure 9. UART Multiprocessor Communication, Automatic Address Recognition

Mode 0 is the Shift Register mode and SM2 is ignored.

Using the Automatic Address Recognition feature allows a master to selectively communicate with one or more slaves by invoking the Given slave address or addresses. All of the slaves may be contacted by using the Broadcast address. Two special Function Registers are used to define the slave's address, SADDR, and the address mask, SADEN. SADEN is used to define which bits in the SADDR are to be used and which bits are "don't care". The SADEN mask can be logically ANDed with the SADDR to create the "Given" address which the master will use for addressing each of the slaves. Use of the Given address allows multiple slaves to be recognized while excluding others. The following examples will help to show the versatility of this scheme:

Slave 0	SADDR =	1100 0000
	SADEN =	<u>1111 1101</u>
	Given =	1100 00X0

Slave 1	SADDR =	1100 0000
	SADEN =	<u>1111 1110</u>
	Given =	1100 000X

In the above example SADDR is the same and the SADEN data is used to differentiate between the two slaves. Slave 0 requires a 0 in bit 0 and it ignores bit 1. Slave 1 requires a 0 in bit 1 and bit 0 is ignored. A unique address for Slave 0 would be 1100 0010 since slave 1 requires a 0 in bit 1. A unique address for slave 1 would be 1100 0001 since a 1 in bit 0 will exclude slave 0. Both slaves can be selected at the same time by an address which has bit 0 = 0 (for slave 0) and bit 1 = 0 (for slave 1). Thus, both could be addressed with 1100 0000.

80C51 8-bit microcontroller
8K/256 OTP, 8 channel 10 bit A/D, I²C, PWM,
capture/compare, high I/O, low voltage (2.7 V to 5.5 V), low power

P87C552

In a more complex system the following could be used to select slaves 1 and 2 while excluding slave 0:

Slave 0	SADDR =	1100 0000
	SADEN =	1111 1001
	Given =	1100 0XX0
Slave 1	SADDR =	1110 0000
	SADEN =	1111 1010
	Given =	1110 0X0X
Slave 2	SADDR =	1110 0000
	SADEN =	1111 1100
	Given =	1110 00XX

In the above example the differentiation among the 3 slaves is in the lower 3 address bits. Slave 0 requires that bit 0 = 0 and it can be uniquely addressed by 1110 0110. Slave 1 requires that bit 1 = 0 and it can be uniquely addressed by 1110 and 0101. Slave 2 requires that bit 2 = 0 and its unique address is 1110 0011. To select Slaves 0 and 1 and exclude Slave 2 use address 1110 0100, since it is necessary to make bit 2 = 1 to exclude slave 2.

The Broadcast Address for each slave is created by taking the logical OR of SADDR and SADEN. Zeros in this result are treated as don't-cares. In most cases, interpreting the don't-cares as ones, the broadcast address will be FF hexadecimal.

Upon reset SADDR (SFR address 0A9H) and SADEN (SFR address 0B9H) are loaded with 0s. This produces a given address of all "don't cares" as well as a Broadcast address of all "don't cares". This effectively disables the Automatic Addressing mode and allows the microcontroller to use standard 80C51 type UART drivers which do not make use of this feature.

Timer T2

Timer T2 is a 16-bit timer consisting of two registers TMH2 (HIGH byte) and TML2 (LOW byte). The 16-bit timer/counter can be switched off or clocked via a prescaler from one of two sources: $f_{OSC}/12$ or an external signal. When Timer T2 is configured as a counter, the prescaler is clocked by an external signal on T2 (P1.4). A rising edge on T2 increments the prescaler, and the maximum repetition rate is one count per machine cycle (1MHz with a 12MHz oscillator).

The maximum repetition rate for Timer T2 is twice the maximum repetition rate for Timer 0 and Timer 1. T2 (P1.4) is sampled at S2P1 and again at S5P1 (i.e., twice per machine cycle). A rising edge is detected when T2 is LOW during one sample and HIGH during the next sample. To ensure that a rising edge is detected, the input signal must be LOW for at least 1/2 cycle and then HIGH for at least 1/2 cycle. If a rising edge is detected before the end of S2P1, the timer will be incremented during the following cycle; otherwise it will be incremented one cycle later. The prescaler has a programmable division factor of 1, 2, 4, or 8 and is cleared if its division factor or input source is changed, or if the timer/counter is reset.

Timer T2 may be read "on the fly" but possesses no extra read latches, and software precautions may have to be taken to avoid misinterpretation in the event of an overflow from least to most significant byte while Timer T2 is being read. Timer T2 is not loadable and is reset by the RST signal or by a rising edge on the input signal RT2, if enabled. RT2 is enabled by setting bit T2ER (TM2CON.5).

When the least significant byte of the timer overflows or when a 16-bit overflow occurs, an interrupt request may be generated.

Either or both of these overflows can be programmed to request an interrupt. In both cases, the interrupt vector will be the same. When the lower byte (TML2) overflows, flag T2B0 (TM2CON) is set and flag T2OV (TM2IR) is set when TMH2 overflows. These flags are set one cycle after an overflow occurs. Note that when T2OV is set, T2B0 will also be set. To enable the byte overflow interrupt, bits ET2 (IEN1.7, enable overflow interrupt, see Figure 10) and T2IS0 (TM2CON.6, byte overflow interrupt select) must be set. Bit TWB0 (TM2CON.4) is the Timer T2 byte overflow flag.

To enable the 16-bit overflow interrupt, bits ET2 (IE1.7, enable overflow interrupt) and T2IS1 (TM2CON.7, 16-bit overflow interrupt select) must be set. Bit T2OV (TM2IR.7) is the Timer T2 16-bit overflow flag. All interrupt flags must be reset by software. To enable both byte and 16-bit overflow, T2IS0 and T2IS1 must be set and two interrupt service routines are required. A test on the overflow flags indicates which routine must be executed. For each routine, only the corresponding overflow flag must be cleared.

Timer T2 may be reset by a rising edge on RT2 (P1.5) if the Timer T2 external reset enable bit (T2ER) in T2CON is set. This reset also clears the prescaler. In the idle mode, the timer/counter and prescaler are reset and halted. Timer T2 is controlled by the TM2CON special function register (see Figure 11).

Timer T2 Extension: When a 12MHz oscillator is used, a 16-bit overflow on Timer T2 occurs every 65.5, 131, 262, or 524 ms, depending on the prescaler division ratio; i.e., the maximum cycle time is approximately 0.5 seconds. In applications where cycle times are greater than 0.5 seconds, it is necessary to extend Timer T2. This is achieved by selecting $f_{osc}/12$ as the clock source (set T2MS0, reset T2MS1), setting the prescaler division ratio to 1/8 (set T2P0, set T2P1), disabling the byte overflow interrupt (reset T2IS0) and enabling the 16-bit overflow interrupt (set T2IS1). The following software routine is written for a three-byte extension which gives a maximum cycle time of approximately 2400 hours.

```
OVINT: PUSH ACC ;save accumulator
        PUSH PSW ;save status
        INC TIMEX1 ;increment first byte (low order)
        ;of extended timer
        MOV A,TIMEX1
        JNZ INTEX ;jump to INTEX if ;there is no overflow
        INC TIMEX2 ;increment second byte
        MOV A,TIMEX2
        JNZ INTEX ;jump to INTEX if there is no overflow
        INC TIMEX3 ;increment third byte (high order)
INTEX: CLR T2OV ;reset interrupt flag
        POP PSW ;restore status
        POP ACC ;restore accumulator
        RETI ;return from interrupt
```

Timer T2, Capture and Compare Logic: Timer T2 is connected to four 16-bit capture registers and three 16-bit compare registers. A capture register may be used to capture the contents of Timer T2 when a transition occurs on its corresponding input pin. A compare register may be used to set, reset, or toggle port 4 output pins at certain pre-programmable time intervals.

The combination of Timer T2 and the capture and compare logic is very powerful in applications involving rotating machinery, automotive injection systems, etc. Timer T2 and the capture and compare logic are shown in Figure 12.

80C51 8-bit microcontroller
 8K/256 OTP, 8 channel 10 bit A/D, I²C, PWM,
 capture/compare, high I/O, low voltage (2.7 V to 5.5 V), low power

P87C552

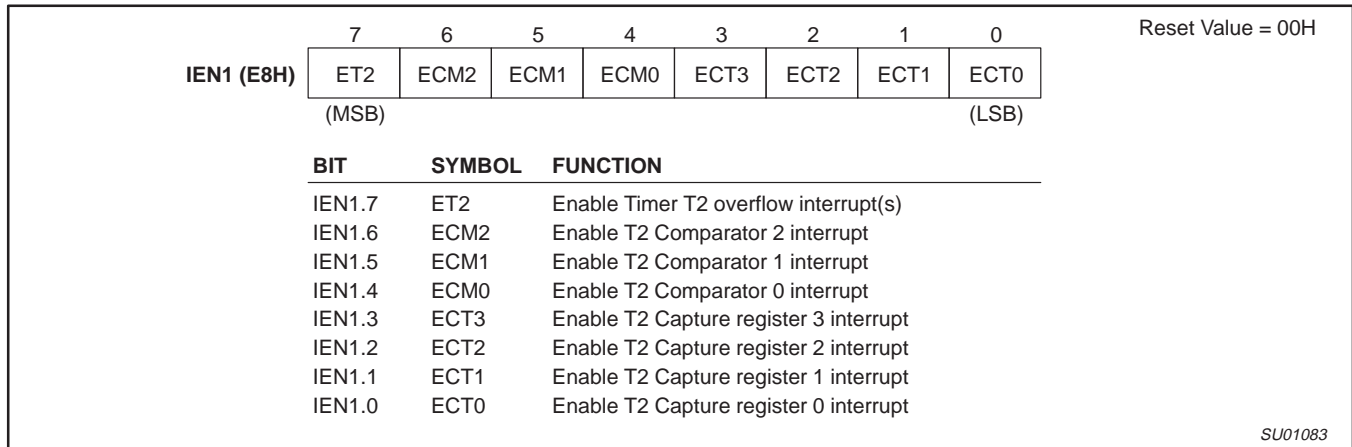


Figure 10. Timer T2 Interrupt Enable Register (IEN1)

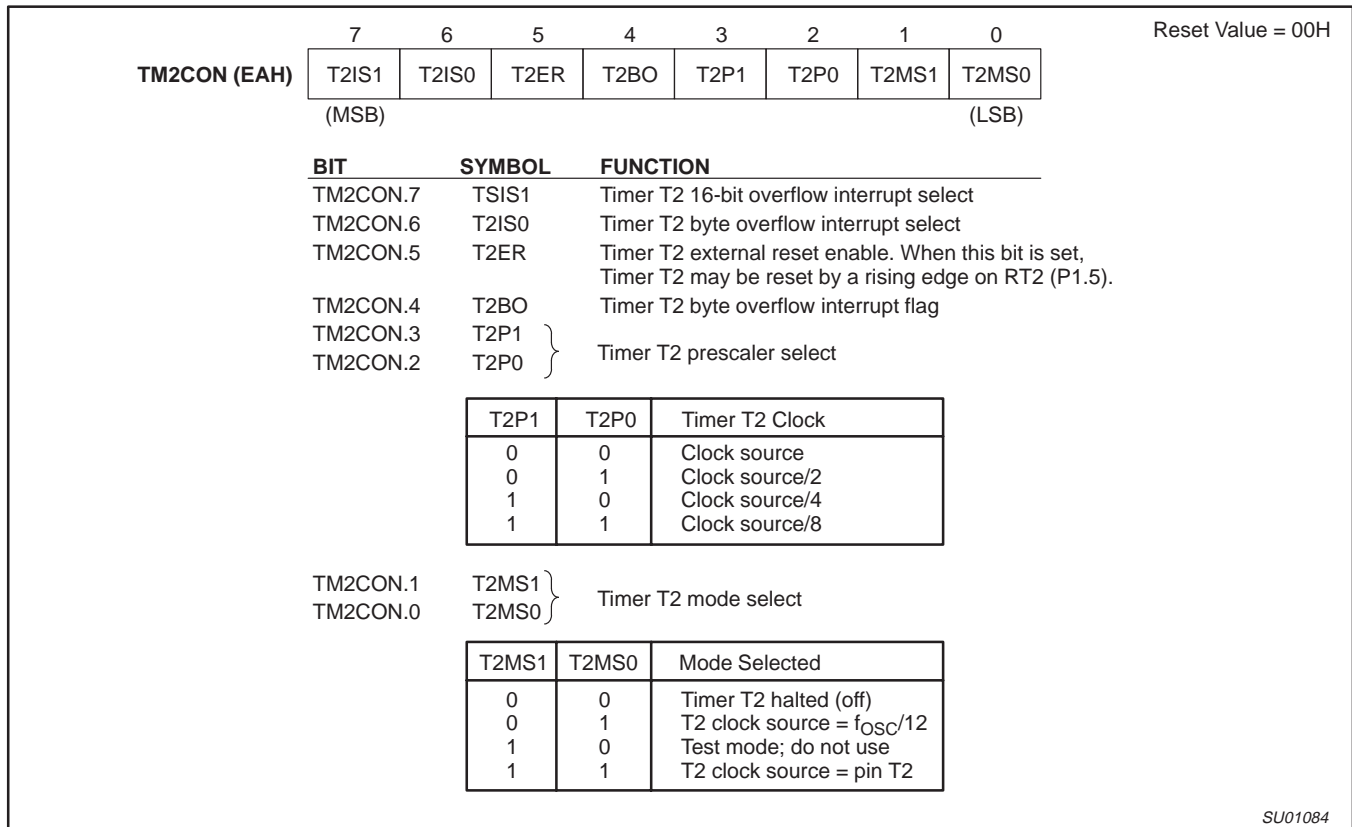


Figure 11. T2 Control Register (TM2CON)

80C51 8-bit microcontroller
 8K/256 OTP, 8 channel 10 bit A/D, I²C, PWM,
 capture/compare, high I/O, low voltage (2.7 V to 5.5 V), low power

P87C552

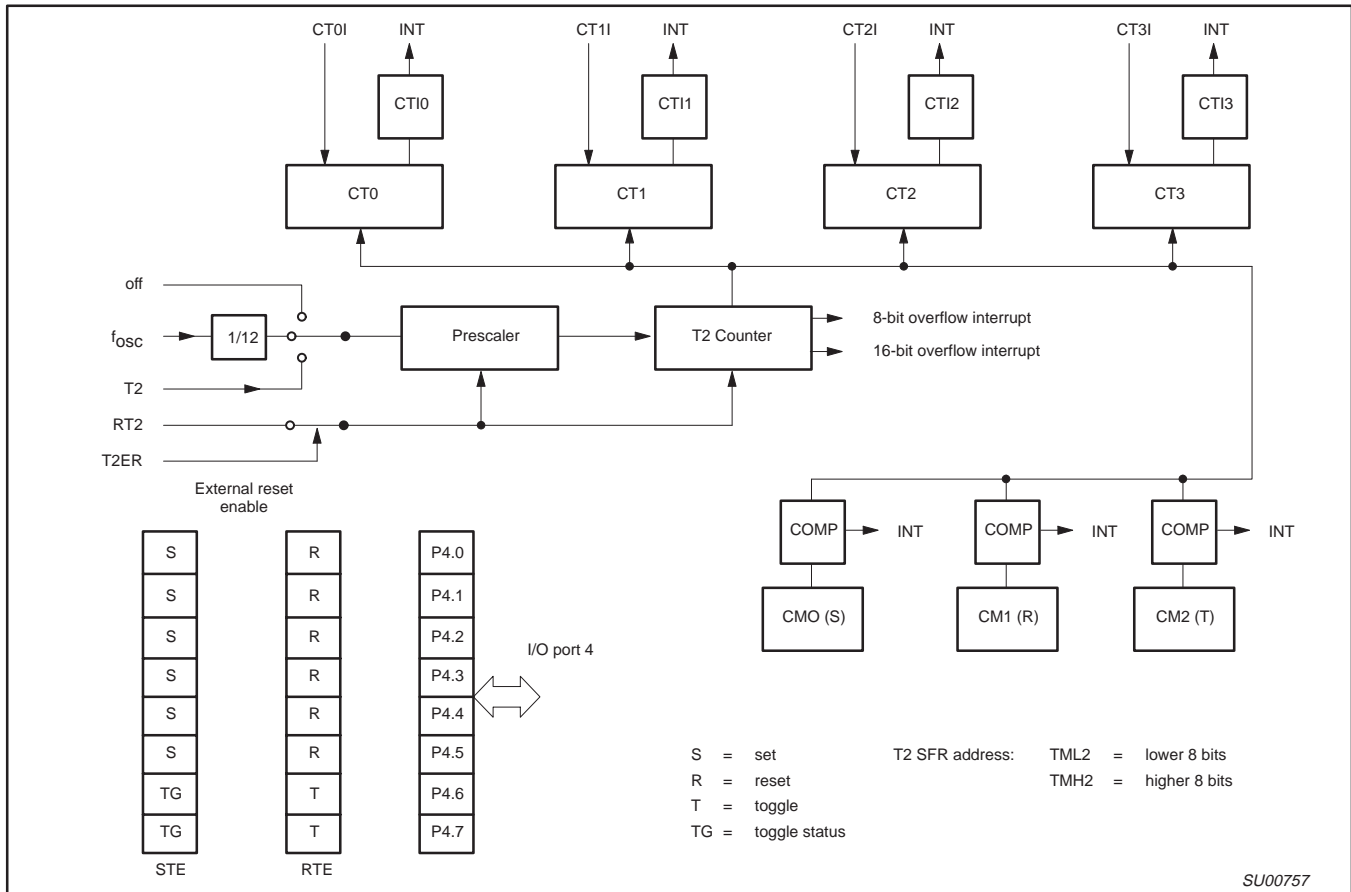


Figure 12. Block Diagram of Timer 2

Capture Logic: The four 16-bit capture registers that Timer T2 is connected to are: CT0, CT1, CT2, and CT3. These registers are loaded with the contents of Timer T2, and an interrupt is requested upon receipt of the input signals CT0I, CT1I, CT2I, or CT3I. These input signals are shared with port 1. The four interrupt flags are in the Timer T2 interrupt register (TM2IR special function register). If the capture facility is not required, these inputs can be regarded as additional external interrupt inputs.

Using the capture control register CTCON (see Figure 13), these inputs may capture on a rising edge, a falling edge, or on either a rising or falling edge. The inputs are sampled during S1P1 of each cycle. When a selected edge is detected, the contents of Timer T2 are captured at the end of the cycle.

Measuring Time Intervals Using Capture Registers: When a recurring external event is represented in the form of rising or falling edges on one of the four capture pins, the time between two events

can be measured using Timer T2 and a capture register. When an event occurs, the contents of Timer T2 are copied into the relevant capture register and an interrupt request is generated. The interrupt service routine may then compute the interval time if it knows the previous contents of Timer T2 when the last event occurred. With a 12MHz oscillator, Timer T2 can be programmed to overflow every 524ms. When event interval times are shorter than this, computing the interval time is simple, and the interrupt service routine is short. For longer interval times, the Timer T2 extension routine may be used.

Compare Logic: Each time Timer T2 is incremented, the contents of the three 16-bit compare registers CM0, CM1, and CM2 are compared with the new counter value of Timer T2. When a match is found, the corresponding interrupt flag in TM2IR is set at the end of the following cycle. When a match with CM0 occurs, the controller sets bits 0-5 of port 4 if the corresponding bits of the set enable register STE are at logic 1.

80C51 8-bit microcontroller
 8K/256 OTP, 8 channel 10 bit A/D, I²C, PWM,
 capture/compare, high I/O, low voltage (2.7 V to 5.5 V), low power

P87C552

CTCON (EBH)	7	6	5	4	3	2	1	0	Reset Value = 00H	
	CTN3	CTP3	CTN2	CTP2	CTN1	CTP1	CTN1	CTP0		
	(MSB)				(LSB)					
	BIT	SYMBOL	CAPTURE/INTERRUPT ON:							
	CTCON.7	CTN3	Capture Register 3 triggered by a falling edge on CT3I							
	CTCON.6	CTP3	Capture Register 3 triggered by a rising edge on CT3I							
	CTCON.5	CTN2	Capture Register 2 triggered by a falling edge on CT2I							
	CTCON.4	CTP2	Capture Register 2 triggered by a rising edge on CT2I							
	CTCON.3	CTN1	Capture Register 1 triggered by a falling edge on CT1I							
	CTCON.2	CTP1	Capture Register 1 triggered by a rising edge on CT1I							
	CTCON.1	CTN0	Capture Register 0 triggered by a falling edge on CT0I							
	CTCON.0	CTP0	Capture Register 0 triggered by a rising edge on CT0I							
									<i>SU01085</i>	

Figure 13. Capture Control Register (CTCON)

When a match with CM1 occurs, the controller resets bits 0-5 of port 4 if the corresponding bits of the reset/toggle enable register RTE are at logic 1 (see Figure 14 for RTE register function). If RTE is "0", then P4.n is not affected by a match between CM1 or CM2 and Timer 2. When a match with CM2 occurs, the controller "toggles" bits 6 and 7 of port 4 if the corresponding bits of the RTE are at logic 1. The port latches of bits 6 and 7 are not toggled. Two additional flip-flops store the last operation, and it is these flip-flops that are toggled.

Thus, if the current operation is "set," the next operation will be "reset" even if the port latch is reset by software before the "reset" operation occurs. The first "toggle" after a chip RESET will set the port latch. The contents of these two flip-flops can be read at STE.6 and STE.7 (corresponding to P4.6 and P4.7, respectively). Bits STE.6 and STE.7 are read only (see Figure 15 for STE register function). A logic 1 indicates that the next toggle will set the port latch; a logic 0 indicates that the next toggle will reset the port latch. CM0, CM1, and CM2 are reset by the RST signal.

The modified port latch information appears at the port pin during S5P1 of the cycle following the cycle in which a match occurred. If the port is modified by software, the outputs change during S1P1 of the following cycle. Each port 4 bit can be set or reset by software at any time. A hardware modification resulting from a comparator match takes precedence over a software modification in the same cycle. When the comparator results require a "set" and a "reset" at the same time, the port latch will be reset.

Timer T2 Interrupt Flag Register TM2IR: Eight of the nine Timer T2 interrupt flags are located in special function register TM2IR (see Figure 16). The ninth flag is TM2CON.4.

The CT0I and CT1I flags are set during S4 of the cycle in which the contents of Timer T2 are captured. CT0I is scanned by the interrupt logic during S2, and CT1I is scanned during S3. CT2I and CT3I are set during S6 and are scanned during S4 and S5. The associated interrupt requests are recognized during the following cycle. If these flags are polled, a transition at CT0I or CT1I will be recognized one cycle before a transition on CT2I or CT3I since registers are read during S5. The CMI0, CMI1, and CMI2 flags are set during S6 of the cycle following a match. CMI0 is scanned by the interrupt logic during S2; CMI1 and CMI2 are scanned during S3 and S4. A match will be recognized by the interrupt logic (or by polling the flags) two cycles after the match takes place.

The 16-bit overflow flag (T2OV) and the byte overflow flag (T2BO) are set during S6 of the cycle in which the overflow occurs. These flags are recognized by the interrupt logic during the next cycle.

Special function register IP1 (Figure 16) is used to determine the Timer T2 interrupt priority. Setting a bit high gives that function a high priority, and setting a bit low gives the function a low priority. The functions controlled by the various bits of the IP1 register are shown in Figure 16.

RTE (EFH)	7	6	5	4	3	2	1	0	Reset Value = 00H	
	TP47	TP46	RP45	RP44	RP43	RP42	RO41	RP40		
	(MSB)				(LSB)					
	BIT	SYMBOL	FUNCTION							
	RTE.7	TP47	If "1" then P4.7 toggles on a match between CM1 and Timer T2							
	RTE.6	TP46	If "1" then P4.6 toggles on a match between CM1 and Timer T2							
	RTE.5	RP45	If "1" then P4.5 is reset on a match between CM1 and Timer T2							
	RTE.4	RP44	If "1" then P4.4 is reset on a match between CM1 and Timer T2							
	RTE.3	RP43	If "1" then P4.3 is reset on a match between CM1 and Timer T2							
	RTE.2	RP42	If "1" then P4.2 is reset on a match between CM1 and Timer T2							
	RTE.1	RP41	If "1" then P4.1 is reset on a match between CM1 and Timer T2							
	RTE.0	RP40	If "1" then P4.0 is reset on a match between CM1 and Timer T2							
									<i>SU01086</i>	

Figure 14. Reset/Toggle Enable Register (RTE)

80C51 8-bit microcontroller
 8K/256 OTP, 8 channel 10 bit A/D, I²C, PWM,
 capture/compare, high I/O, low voltage (2.7 V to 5.5 V), low power

P87C552

	7	6	5	4	3	2	1	0	Reset Value = C0H
STE (EEH)	TG47	TG46	SP45	SP44	SP43	SP42	SP41	SP40	
	(MSB)							(LSB)	
	BIT	SYMBOL	FUNCTION						
	STE.7	TG47	Toggle flip-flops						
	STE.6	TG46	Toggle flip-flops						
	STE.5	SP45	If "1" then P4.5 is set on a match between CM0 and Timer T2						
	STE.4	SP44	If "1" then P4.4 is set on a match between CM0 and Timer T2						
	STE.3	SP43	If "1" then P4.3 is set on a match between CM0 and Timer T2						
	STE.2	SP42	If "1" then P4.2 is set on a match between CM0 and Timer T2						
	STE.1	SP41	If "1" then P4.1 is set on a match between CM0 and Timer T2						
	STE.0	SP40	If "1" then P4.0 is set on a match between CM0 and Timer T2						

SU01087

Figure 15. Set Enable Register (STE)

	7	6	5	4	3	2	1	0	Reset Value = 00H
TM2IR (C8H)	T2OV	CMI2	CMI1	CMI0	CTI3	CTI2	CTI1	CTI0	
	(MSB)							(LSB)	
	BIT	SYMBOL	FUNCTION						
	TM2IR.7	T2OV	Timer T2 16-bit overflow interrupt flag						
	TM2IR.6	CMI2	CM2 interrupt flag						
	TM2IR.5	CMI1	CM1 interrupt flag						
	TM2IR.4	CMI0	CM0 interrupt flag						
	TM2IR.3	CTI3	CT3 interrupt flag						
	TM2IR.2	CTI2	CT2 interrupt flag						
	TM2IR.1	CTI1	CT1 interrupt flag						
	TM2IR.0	CTI0	CT0 interrupt flag						

Interrupt Flag Register (TM2IR)

	7	6	5	4	3	2	1	0	Reset Value = 00H
IP1 (F8H)	PT2	PCM2	PCM1	PCM0	PCT3	PCT2	PCT1	PCT0	
	(MSB)							(LSB)	
	BIT	SYMBOL	FUNCTION						
	IP1.7	PT2	Timer T2 overflow interrupt(s) priority level						
	IP1.6	PCM2	Timer T2 comparator 2 interrupt priority level						
	IP1.5	PCM1	Timer T2 comparator 1 interrupt priority level						
	IP1.4	PCM0	Timer T2 comparator 0 interrupt priority level						
	IP1.3	PCT3	Timer T2 capture register 3 interrupt priority level						
	IP1.2	PCT2	Timer T2 capture register 2 interrupt priority level						
	IP1.1	PCT1	Timer T2 capture register 1 interrupt priority level						
	IP1.0	PCT0	Timer T2 capture register 0 interrupt priority level						

Timer 2 Interrupt Priority Register (IP1)

SU01088

Figure 16. Interrupt Flag Register (TM2IR) and Timer T2 Interrupt Priority Register (IP1)

Timer T3, The Watchdog Timer

In addition to Timer T2 and the standard timers, a watchdog timer is also incorporated on the 8xC552. The purpose of a watchdog timer is to reset the microcontroller if it enters erroneous processor states (possibly caused by electrical noise or RFI) within a reasonable period of time. An analogy is the “dead man’s handle” in railway locomotives. When enabled, the watchdog circuitry will generate a system reset if the user program fails to reload the watchdog timer within a specified length of time known as the “watchdog interval.”

Watchdog Circuit Description: The watchdog timer (Timer T3) consists of an 8-bit timer with an 11-bit prescaler as shown in Figure 17. The prescaler is fed with a signal whose frequency is 1/12 the oscillator frequency (1MHz with a 12MHz oscillator). The 8-bit timer is incremented every “t” seconds, where:

$$t = 12 \times 2048 \times 1/f_{OSC}$$

(= 1.5ms at $f_{OSC} = 16\text{MHz}$)

If the 8-bit timer overflows, a short internal reset pulse is generated which will reset the 8xC552. A short output reset pulse is also generated at the RST pin. This short output pulse (3 machine cycles) may be destroyed if the RST pin is connected to a capacitor. This would not, however, affect the internal reset operation.

Watchdog operation is activated when external pin \overline{EW} is tied low. When \overline{EW} is tied low, it is impossible to disable the watchdog operation by software.

How to Operate the Watchdog Timer: The watchdog timer has to be reloaded within periods that are shorter than the programmed watchdog interval; otherwise the watchdog timer will overflow and a system reset will be generated. The user program must therefore continually execute sections of code which reload the watchdog timer. The period of time elapsed between execution of these sections of code must never exceed the watchdog interval. When using a 16MHz oscillator, the watchdog interval is programmable between 1.5ms and 392ms.

In order to prepare software for watchdog operation, a programmer should first determine how long his system can sustain an erroneous processor state. The result will be the maximum watchdog interval. As the maximum watchdog interval becomes shorter, it becomes more difficult for the programmer to ensure that the user program always reloads the watchdog timer within the watchdog interval, and thus it becomes more difficult to implement watchdog operation.

The programmer must now partition the software in such a way that reloading of the watchdog is carried out in accordance with the above requirements. The programmer must determine the execution times of all software modules. The effect of possible conditional branches, subroutines, external and internal interrupts must all be taken into account. Since it may be very difficult to evaluate the execution times of some sections of code, the programmer should use worst case estimations. In any event, the programmer must make sure that the watchdog is not activated during normal operation.

The watchdog timer is reloaded in two stages in order to prevent erroneous software from reloading the watchdog. First PCON.4 (WLE) must be set. The T3 may be loaded. When T3 is loaded, PCON.4 (WLE) is automatically reset. T3 cannot be loaded if PCON.4 (WLE) is reset. Reload code may be put in a subroutine as it is called frequently. Since Timer T3 is an up-counter, a reload value of 00H gives the maximum watchdog interval (510ms with a 12MHz oscillator), and a reload value of 0FFH gives the minimum watchdog interval (2ms with a 12MHz oscillator).

In the idle mode, the watchdog circuitry remains active. When watchdog operation is implemented, the power-down mode cannot be used since both states are contradictory. Thus, when watchdog operation is enabled by tying external pin \overline{EW} low, it is impossible to enter the power-down mode, and an attempt to set the power-down bit (PCON.1) will have no effect. PCON.1 will remain at logic 0.

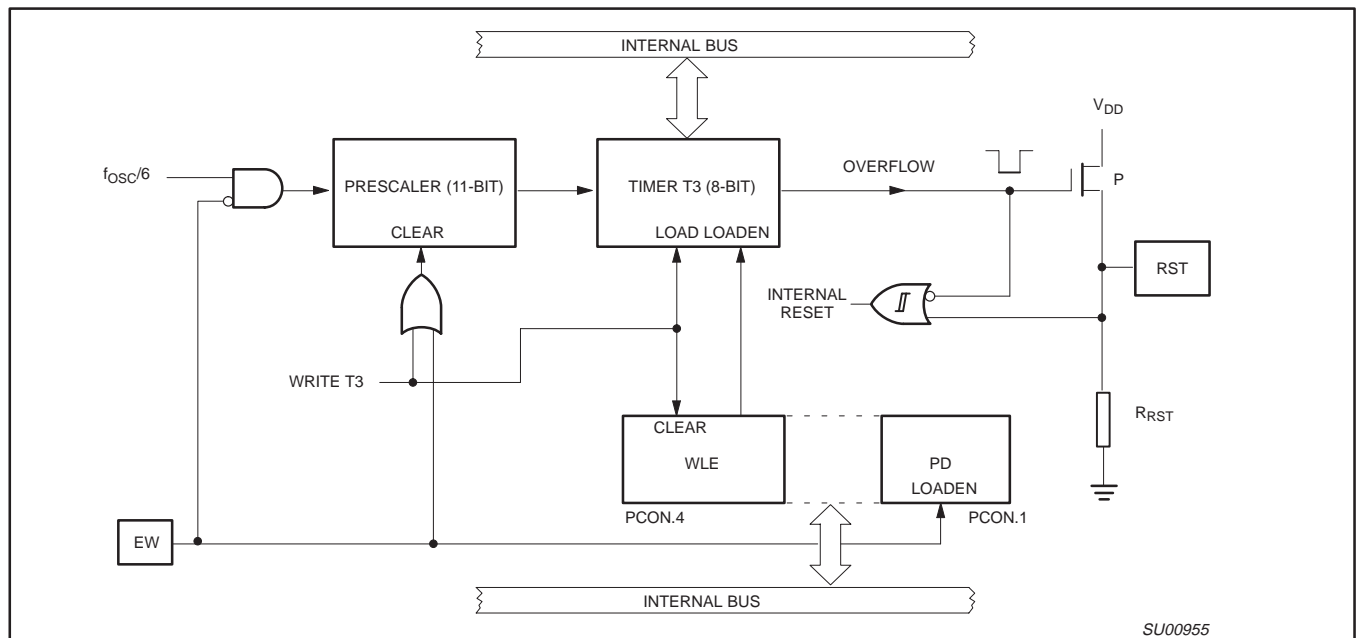


Figure 17. Watchdog Timer

80C51 8-bit microcontroller
 8K/256 OTP, 8 channel 10 bit A/D, I²C, PWM,
 capture/compare, high I/O, low voltage (2.7 V to 5.5 V), low power

P87C552

During the early stages of software development/debugging, the watchdog may be disabled by tying the \overline{EW} pin high. At a later stage, \overline{EW} may be tied low to complete the debugging process.

Watchdog Software Example: The following example shows how watchdog operation might be handled in a user program.

;at the program start:

```
T3 EQU 0FFH ;address of watchdog timer T3
PCON EQU 087H ;address of PCON SFR
WATCH-INTV EQU 156 ;watchdog interval (e.g., 2x100ms)
```

;to be inserted at each watchdog reload location within

;the user program:

```
LCALL WATCHDOG
```

;watchdog service routine:

```
WATCHDOG: ORL PCON,#10H ;set condition flag (PCON.4)
           MOV T3,WATCH-INTV ;load T3 with watchdog interval
           RET
```

If it is possible for this subroutine to be called in an erroneous state, then the condition flag WLE should be set at different parts of the main program.

Serial I/O

The 8xC552 is equipped with two independent serial ports: SIO0 and SIO1. SIO0 is a full duplex UART port and is similar to the Enhanced UART serial port. SIO1 accommodates the I²C bus.

SIO0: SIO0 is a full duplex serial I/O port identical to that of the Enhanced UART except Time 2 cannot be used as a baud rate generator. Its operation is the same, including the use of timer 1 as a baud rate generator.

Port 5 Operation

Port 5 may be used to input up to 8 analog signals to the ADC. Unused ADC inputs may be used to input digital inputs. These inputs have an inherent hysteresis to prevent the input logic from drawing excessive current from the power lines when driven by analog signals. Channel to channel crosstalk (Ct) should be taken into consideration when both analog and digital signals are simultaneously input to Port 5 (see, D.C. characteristics in data sheet).

Port 5 is not bidirectional and may not be configured as an output port. All six ports are multifunctional, and their alternate functions are listed in the Pin Descriptions section of this datasheet.

Pulse Width Modulated Outputs

The 8xC552 contains two pulse width modulated output channels (see Figure 18). These channels generate pulses of programmable length and interval. The repetition frequency is defined by an 8-bit prescaler PWMP, which supplies the clock for the counter. The prescaler and counter are common to both PWM channels. The 8-bit counter counts modulo 255, i.e., from 0 to 254 inclusive. The value of the 8-bit counter is compared to the contents of two registers: PWM0 and PWM1. Provided the contents of either of these registers is greater than the counter value, the corresponding $\overline{PWM0}$ or $\overline{PWM1}$ output is set LOW. If the contents of these registers are equal to, or less than the counter value, the output will be HIGH. The pulse-width-ratio is therefore defined by the contents of the registers PWM0 and PWM1. The pulse-width-ratio is in the range of 0 to 1 and may be programmed in increments of 1/255.

Buffered PWM outputs may be used to drive DC motors. The rotation speed of the motor would be proportional to the contents of PWMn. The PWM outputs may also be configured as a dual DAC. In this application, the PWM outputs must be integrated using conventional operational amplifier circuitry. If the resulting output voltages have to be accurate, external buffers with their own analog supply should be used to buffer the PWM outputs before they are integrated. The repetition frequency f_{PWM} , at the PWMn outputs is give by:

$$f_{PWM} = \frac{f_{OSC}}{2 \times (1 + PWMP) \times 255}$$

This gives a repetition frequency range of 123Hz to 31.4kHz ($f_{OSC} = 16MHz$). By loading the PWM registers with either 00H or FFH, the PWM channels will output a constant HIGH or LOW level, respectively. Since the 8-bit counter counts modulo 255, it can never actually reach the value of the PWM registers when they are loaded with FFH.

When a compare register (PWM0 or PWM1) is loaded with a new value, the associated output is updated immediately. It does not have to wait until the end of the current counter period. Both \overline{PWMn} output pins are driven by push-pull drivers. These pins are not used for any other purpose.

Prescaler frequency control register PWMP Reset Value = 00H

PWMP (FEH)	7	6	5	4	3	2	1	0
	MSB				LSB			

PWMP.0-7 Prescaler division factor = PWMP + 1.

Reading PWMP gives the current reload value. The actual count of the prescaler cannot be read.

Reset Value = 00H

PWM0 (FCH) PWM1 (FDH)	7	6	5	4	3	2	1	0
	MSB				LSB			

$$PWM0/1.0-7 \} \text{ Low/high ratio of } \overline{PWMn} = \frac{(PWMn)}{255 - (PWMn)}$$

Analog-to-Digital Converter

The analog input circuitry consists of an 8-input analog multiplexer and a 10-bit, straight binary, successive approximation ADC. The A/D can also be operated in 8-bit mode with faster conversion times by setting bit ADC8 (AUXR1.7). The 8-bit results will be contained in the ADCH register. The analog reference voltage and analog power supplies are connected via separate input pins. For 10-bit accuracy, the conversion takes 50 machine cycles, i.e., 37.5µs at an oscillator frequency of 16MHz. For the 8-bit mode, the conversion takes 24 machine cycles. Input voltage swing is from 0V to +5V. Because the internal DAC employs a ratiometric potentiometer, there are no discontinuities in the converter characteristic. Figure 19 shows a functional diagram of the analog input circuitry.

The ADC has the option of either being powered off in idle mode for reduced power consumption or being active in idle mode for reducing internal noise during the conversion. This option is selected by the AIDL bit of AUXR1 register (AUXR1.6). With the AIDL bit set, the ADC is active in the idle mode, and with the AIDL bit cleared, the ADC is powered off in idle mode.

80C51 8-bit microcontroller
 8K/256 OTP, 8 channel 10 bit A/D, I²C, PWM,
 capture/compare, high I/O, low voltage (2.7 V to 5.5 V), low power

P87C552

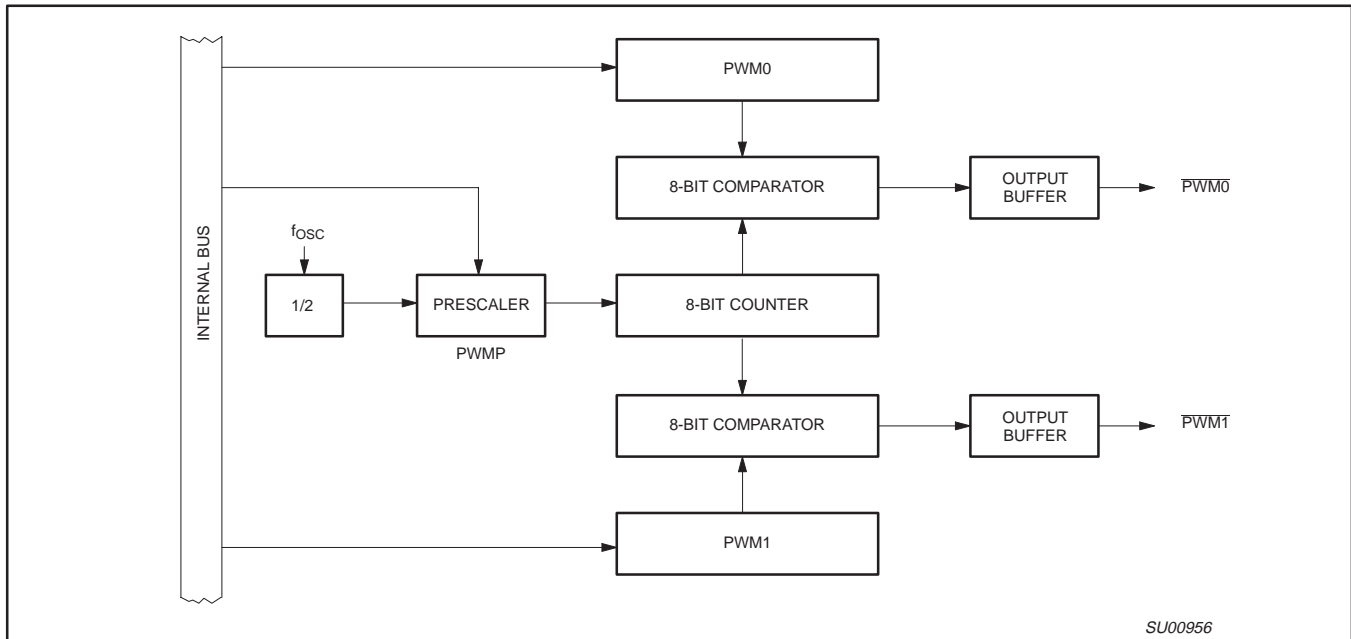


Figure 18. Functional Diagram of Pulse Width Modulated Outputs

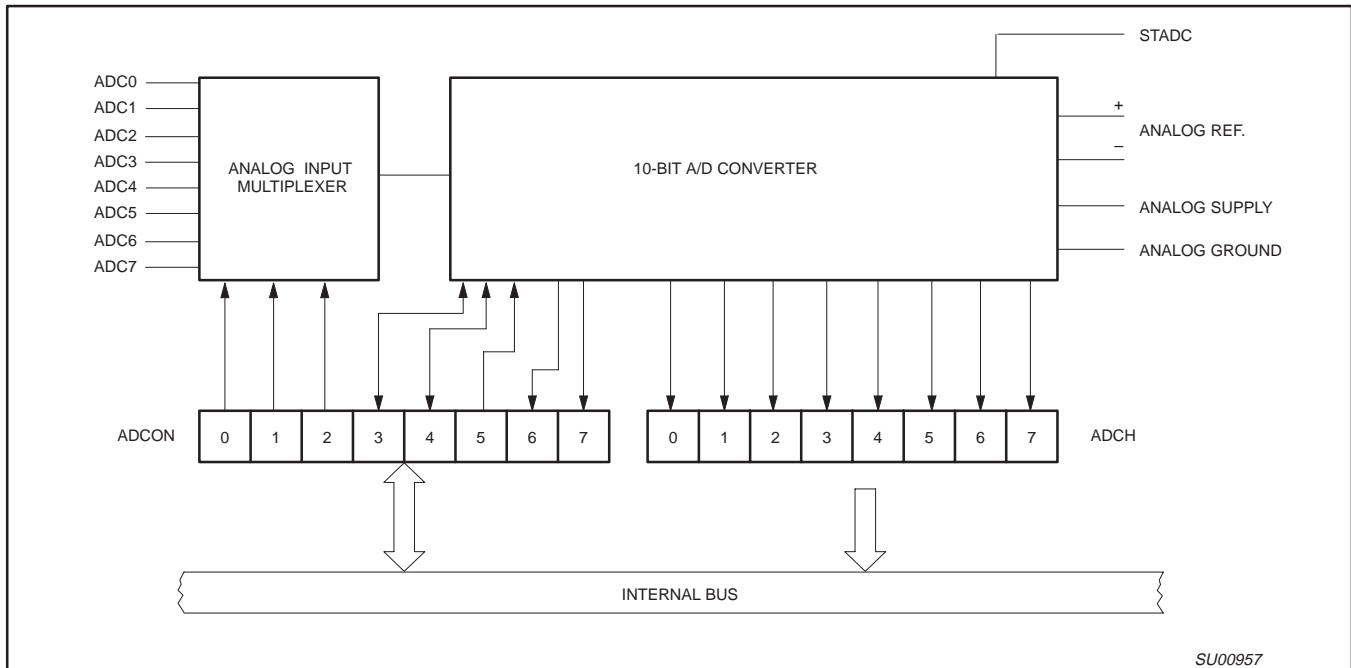


Figure 19. Functional Diagram of Analog Input Circuitry

10-Bit Analog-to-Digital Conversion: Figure 20 shows the elements of a successive approximation (SA) ADC. The ADC contains a DAC which converts the contents of a successive approximation register to a voltage (VDAC) which is compared to the analog input voltage (Vin). The output of the comparator is fed to the successive approximation control logic which controls the successive approximation register. A conversion is initiated by setting ADCS in the ADCON register. ADCS can be set by software only or by either hardware or software.

The software only start mode is selected when control bit ADCON.5 (ADEX) = 0. A conversion is then started by setting control bit ADCON.3 (ADCS). The hardware or software start mode is selected when ADCON.5 = 1, and a conversion may be started by setting ADCON.3 as above or by applying a rising edge to external pin STADC. When a conversion is started by applying a rising edge, a low level must be applied to STADC for at least one machine cycle followed by a high level for at least one machine cycle.

80C51 8-bit microcontroller
 8K/256 OTP, 8 channel 10 bit A/D, I²C, PWM,
 capture/compare, high I/O, low voltage (2.7 V to 5.5 V), low power

P87C552

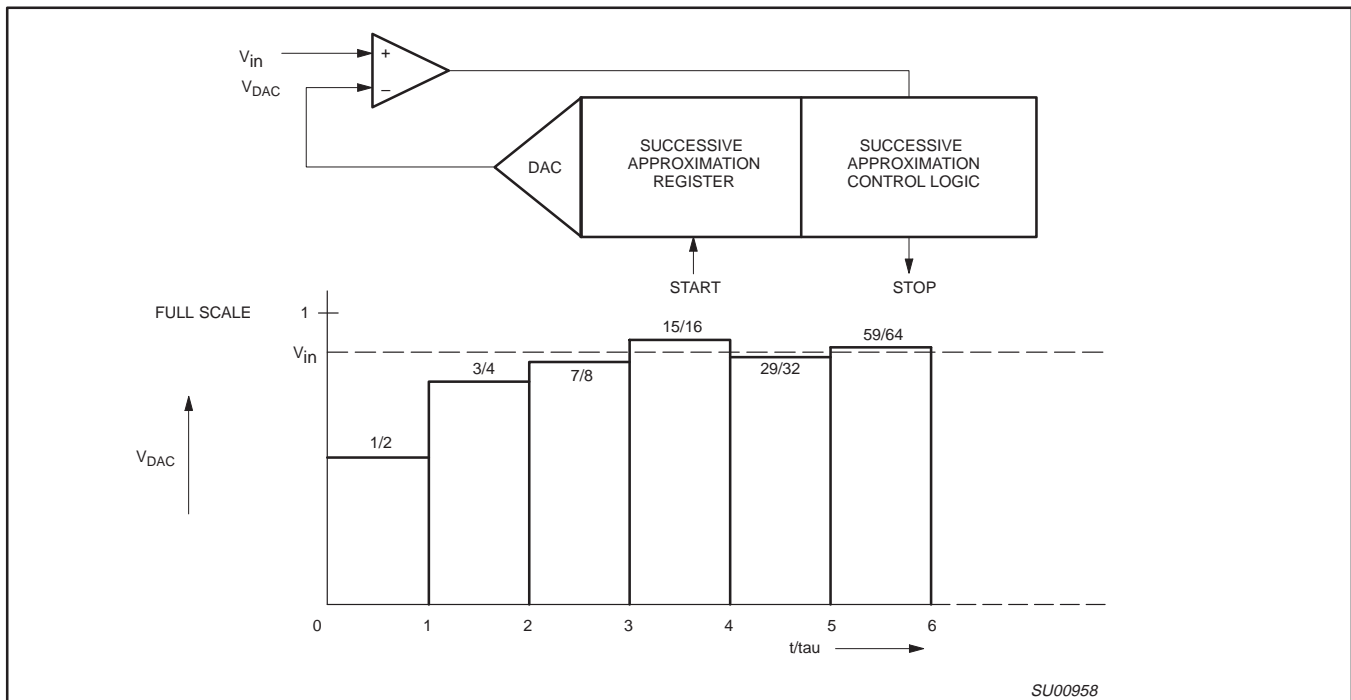


Figure 20. Successive Approximation ADC

The low-to-high transition of STADC is recognized at the end of a machine cycle, and the conversion commences at the beginning of the next cycle. When a conversion is initiated by software, the conversion starts at the beginning of the machine cycle which follows the instruction that sets ADCS. ADCS is actually implemented with two flip-flops: a command flip-flop which is affected by set operations, and a status flag which is accessed during read operations.

The next two machine cycles are used to initiate the converter. At the end of the first cycle, the ADCS status flag is set and a value of "1" will be returned if the ADCS flag is read while the conversion is in progress. Sampling of the analog input commences at the end of the second cycle.

During the next eight machine cycles, the voltage at the previously selected pin of port 5 is sampled, and this input voltage should be stable in order to obtain a useful sample. In any event, the input voltage slew rate must be less than 10V/ms in order to prevent an undefined result.

The successive approximation control logic first sets the most significant bit and clears all other bits in the successive approximation register (10 0000 0000B). The output of the DAC (50% full scale) is compared to the input voltage V_{in} . If the input voltage is greater than V_{DAC} , then the bit remains set; otherwise it is cleared.

The successive approximation control logic now sets the next most significant bit (11 0000 0000B or 01 0000 0000B, depending on the

previous result), and V_{DAC} is compared to V_{in} again. If the input voltage is greater than V_{DAC} , then the bit being tested remains set; otherwise the bit being tested is cleared. This process is repeated until all ten bits have been tested, at which stage the result of the conversion is held in the successive approximation register. Figure 21 shows a conversion flow chart. The bit pointer identifies the bit under test. The conversion takes four machine cycles per bit.

The end of the 10-bit conversion is flagged by control bit ADCON.4 (ADCI). The upper 8 bits of the result are held in special function register ADCH, and the two remaining bits are held in ADCON.7 (ADC.1) and ADCON.6 (ADC.0). The user may ignore the two least significant bits in ADCON and use the ADC as an 8-bit converter (8 upper bits in ADCH). In any event, the total actual conversion time is 50 machine cycles for the 8XC552. ADCI will be set and the ADCS status flag will be reset 50 (or 24) cycles after the command flip-flop (ADCS) is set.

Control bits ADCON.0, ADCON.1, and ADCON.2 are used to control an analog multiplexer which selects one of eight analog channels (see Figure 22). An ADC conversion in progress is unaffected by an external or software ADC start. The result of a completed conversion remains unaffected provided ADCI = logic 1; a new ADC conversion already in progress is aborted when the idle or power-down mode is entered. The result of a completed conversion (ADCI = logic 1) remains unaffected when entering the idle mode.

80C51 8-bit microcontroller
8K/256 OTP, 8 channel 10 bit A/D, I²C, PWM,
capture/compare, high I/O, low voltage (2.7 V to 5.5 V), low power

P87C552

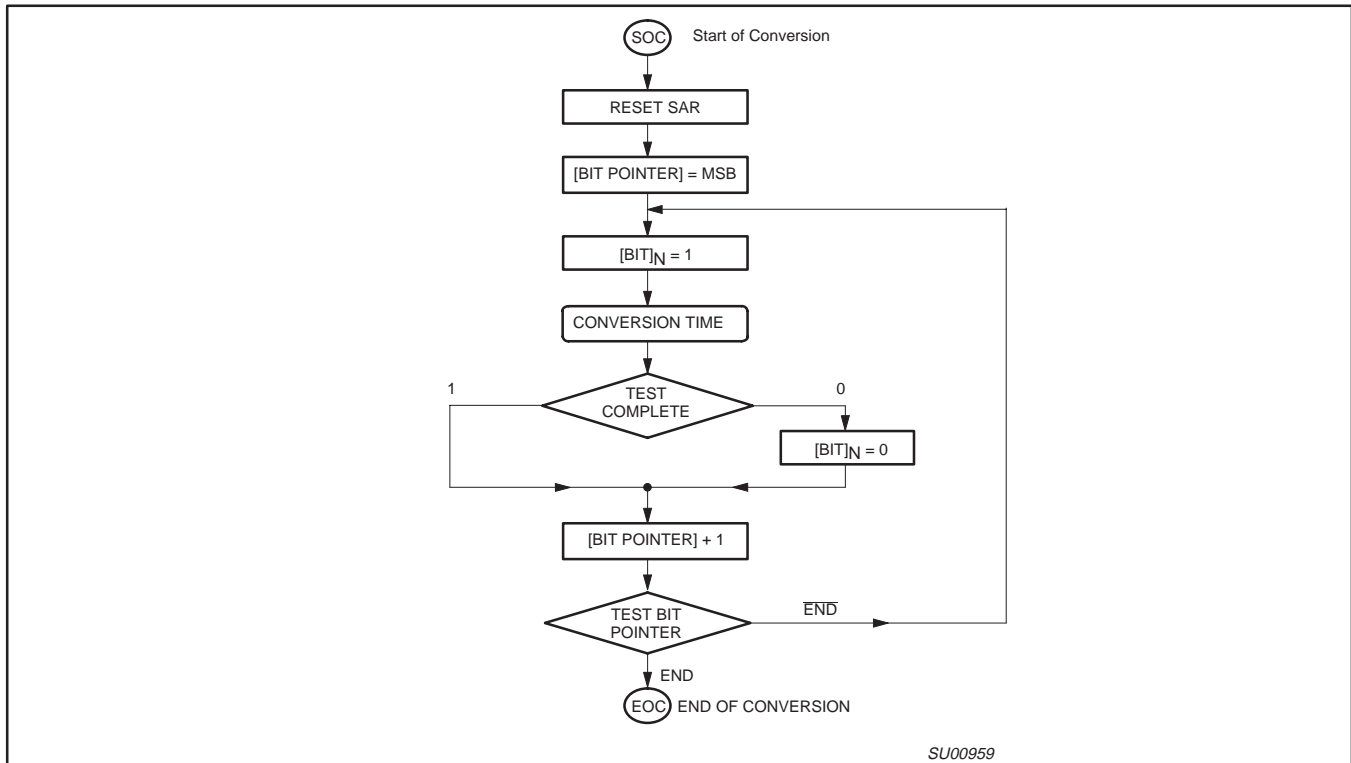


Figure 21. A/D Conversion Flowchart

SU00959

80C51 8-bit microcontroller
 8K/256 OTP, 8 channel 10 bit A/D, I²C, PWM,
 capture/compare, high I/O, low voltage (2.7 V to 5.5 V), low power

P87C552

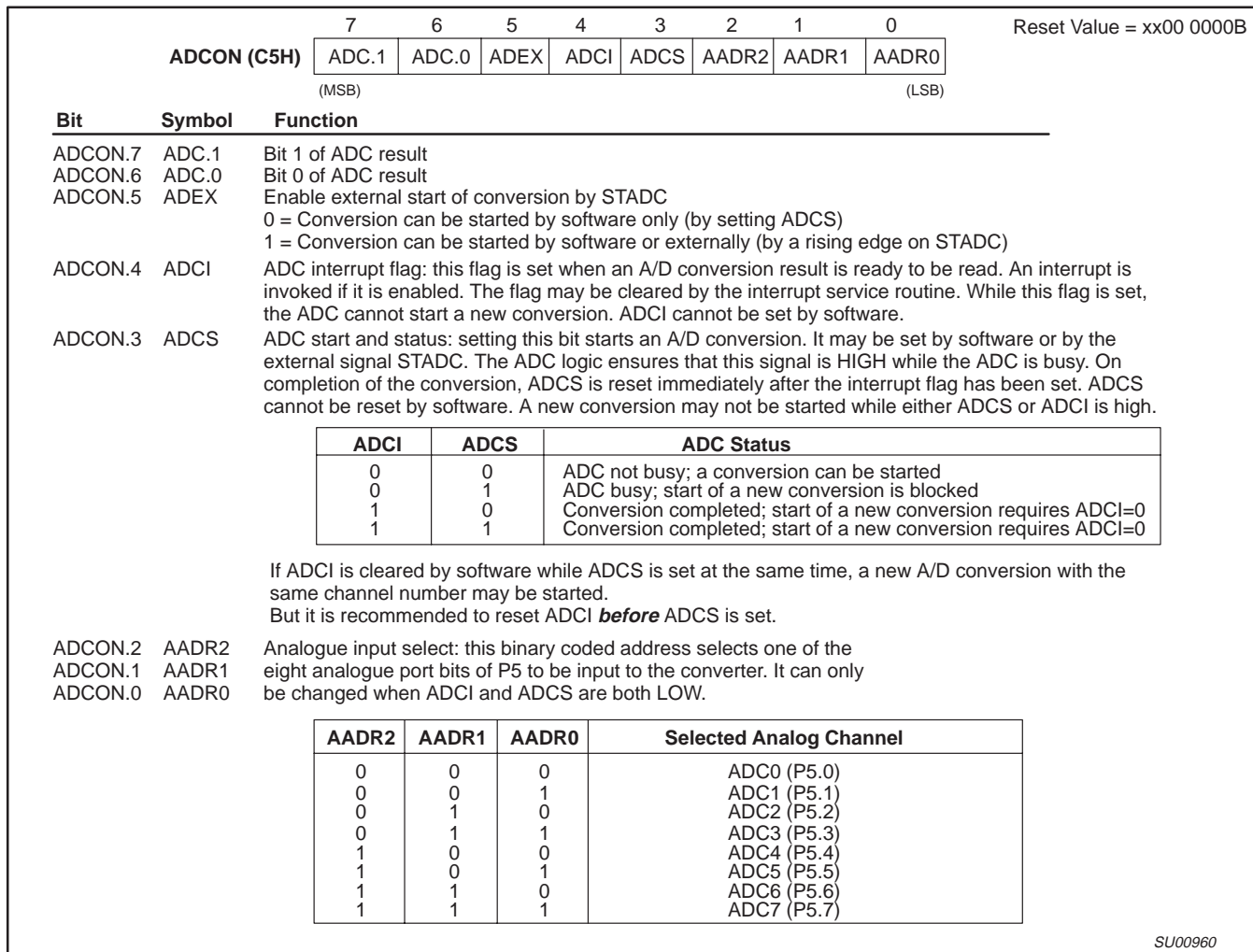


Figure 22. ADC Control Register (ADCON)

80C51 8-bit microcontroller
 8K/256 OTP, 8 channel 10 bit A/D, I²C, PWM,
 capture/compare, high I/O, low voltage (2.7 V to 5.5 V), low power

P87C552

10-Bit ADC Resolution and Analog Supply: Figure 23 shows how the ADC is realized. The ADC has its own supply pins (AV_{DD} and AV_{SS}) and two pins (V_{ref+} and V_{ref-}) connected to each end of the DAC's resistance-ladder. The ladder has 1023 equally spaced taps, separated by a resistance of "R". The first tap is located 0.5 x R above V_{ref-}, and the last tap is located 1.5 x R below V_{ref+}. This gives a total ladder resistance of 1024 x R. This structure ensures that the DAC is monotonic and results in a symmetrical quantization error as shown in Figure 25.

For input voltages between V_{ref-} and (V_{ref-}) + 1/2 LSB, the 10-bit result of an A/D conversion will be 00 0000 0000B = 000H. For input voltages between (V_{ref+}) - 3/2 LSB and V_{ref+}, the result of a conversion will be 11 1111 1111B = 3FFH. AV_{ref+} and AV_{ref-} may be between AV_{DD} + 0.2V and AV_{SS} - 0.2V. AV_{ref+} should be positive with respect to AV_{ref-}, and the input voltage (V_{in}) should be between AV_{ref+} and AV_{ref-}. If the analog input voltage range is from 2V to 4V, then 10-bit resolution can be obtained over this range if AV_{ref+} = 4V and AV_{ref-} = 2V.

The result can always be calculated from the following formula:

$$\text{Result} = 1024 \times \frac{V_{IN} - AV_{ref-}}{AV_{ref+} - AV_{ref-}}$$

Power Reduction Modes

The 8XC552 has two reduced power modes of operation: the idle mode and the power-down mode. These modes are entered by setting bits in the PCON special function register. When the 8XC552 enters the idle mode, the following functions are disabled:

- CPU (halted)
- Timer T2 (halted and reset)
- PWM0, PWM1 (reset; outputs are high)
- ADC (may be enabled for operation in Idle mode by setting bit AIDC (AUXR1.6)).

In idle mode, the following functions remain active:

- Timer 0
- Timer 1
- Timer T3
- SIO0 SIO1
- External interrupts

When the 8XC552 enters the power-down mode, the oscillator is stopped. The power-down mode is entered by setting the PD bit in the PCON register. The PD bit can only be set if the \overline{EW} input is tied HIGH.

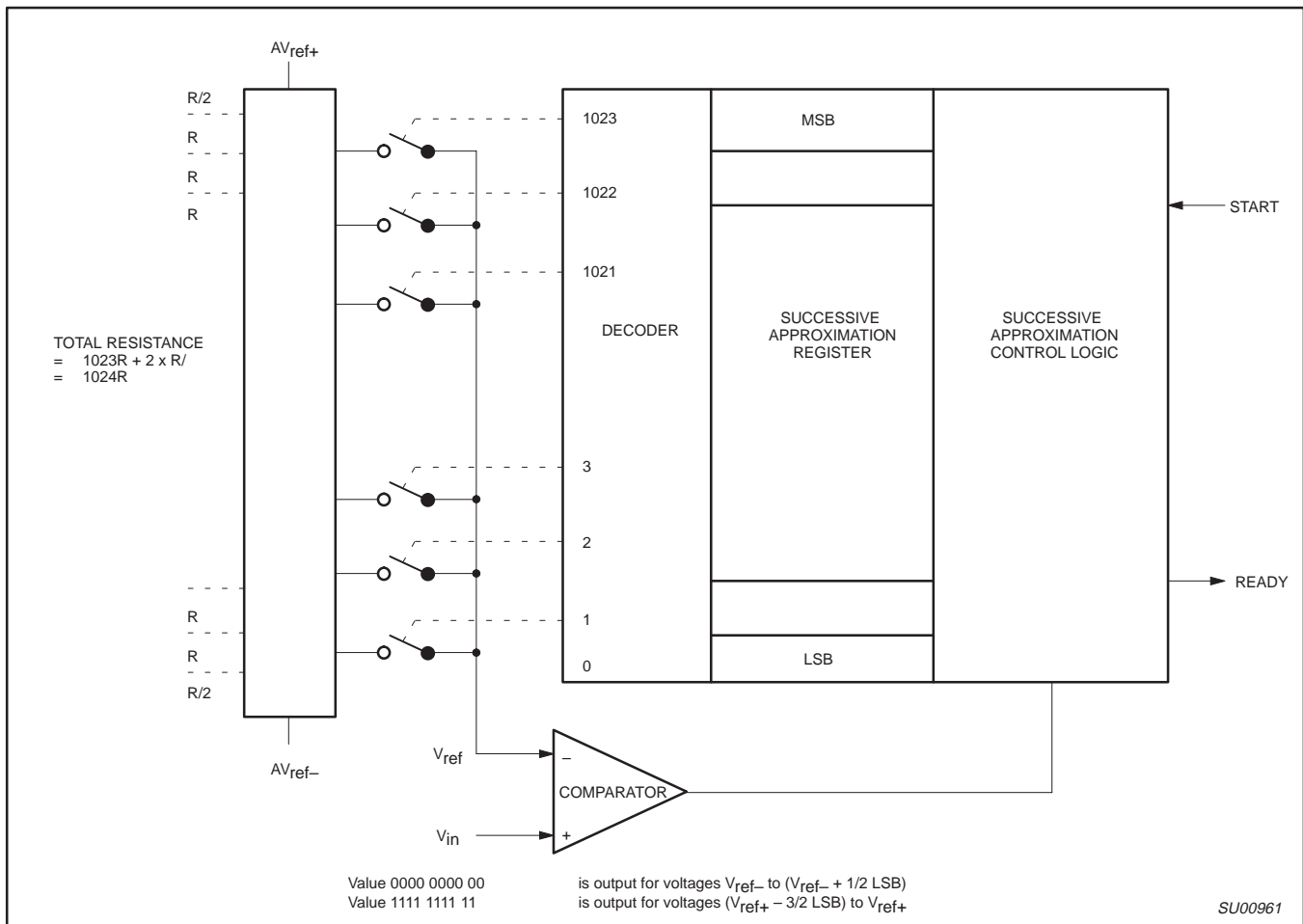


Figure 23. ADC Realization

80C51 8-bit microcontroller
 8K/256 OTP, 8 channel 10 bit A/D, I²C, PWM,
 capture/compare, high I/O, low voltage (2.7 V to 5.5 V), low power

P87C552

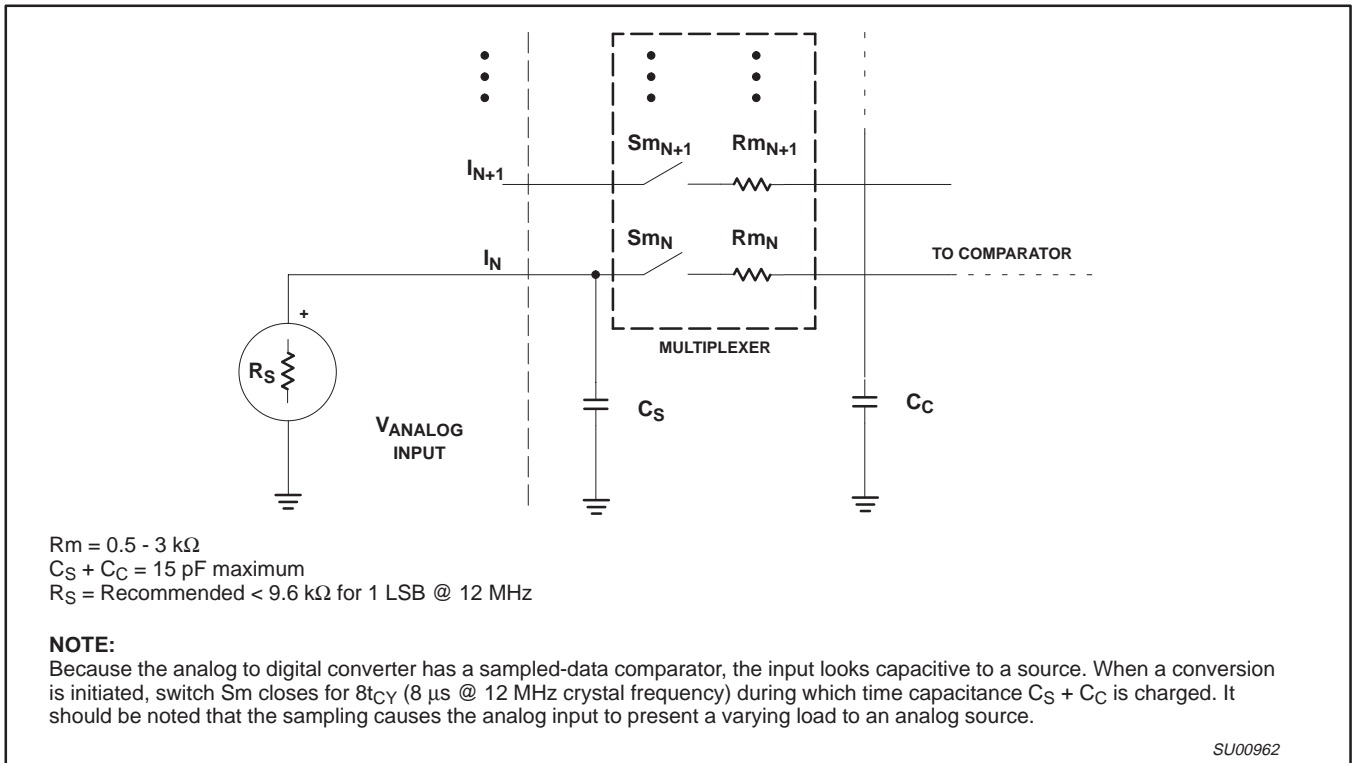


Figure 24. A/D Input: Equivalent Circuit

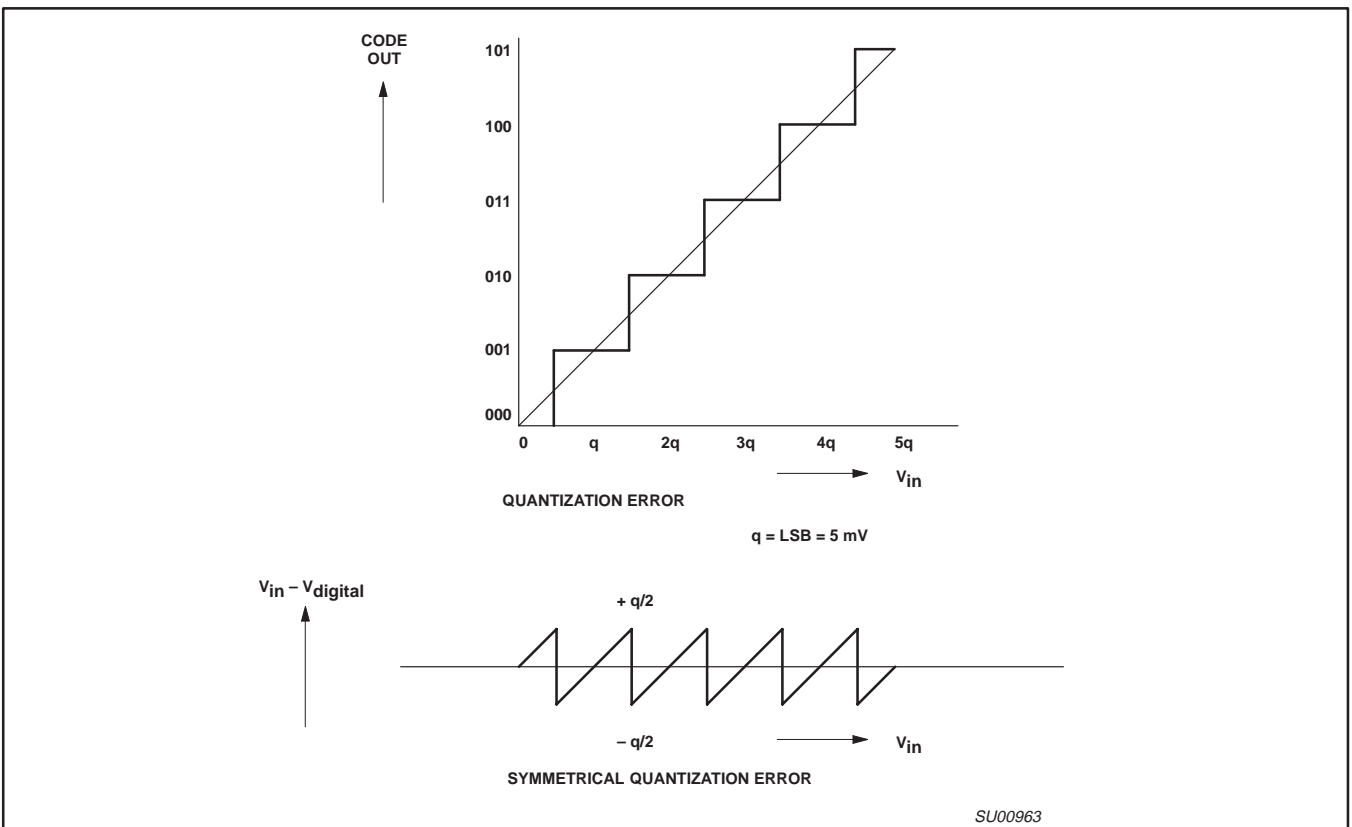


Figure 25. Effective Conversion Characteristic

80C51 8-bit microcontroller
 8K/256 OTP, 8 channel 10 bit A/D, I²C, PWM,
 capture/compare, high I/O, low voltage (2.7 V to 5.5 V), low power

P87C552

Interrupts

The 8XC552 has fifteen interrupt sources, each of which can be assigned one of four priority levels. The five interrupt sources common to the 80C51 are the external interrupts (INT0 and INT1), the timer 0 and timer 1 interrupts (IT0 and IT1), and the serial I/O interrupt (RI or TI). In the 8XC552, the standard serial interrupt is called SIO0.

The eight Timer T2 interrupts are generated by flags CTI0-CT13, CMI0-CMI2, and by the logical OR of flags T2OV and T2BO. Flags CTI0 to CT13 are set by input signals CT0I to CT3i. Flags CMI0 to CMI2 are set when a match occurs between Timer T2 and the compare registers CM0, CM1, and CM2. When an 8-bit or 16-bit overflow occurs, flags T2BO and T2OV are set, respectively. These nine flags are not cleared by hardware and must be reset by software to avoid recurring interrupts.

The ADC interrupt is generated by the ADCI flag in the ADC control register (ADCON). This flag is set when an ADC conversion result is ready to be read. ADCI is not cleared by hardware and must be reset by software to avoid recurring interrupts.

The SIO1 (I²C) interrupt is generated by the SI flag in the SIO1 control register (S1CON). This flag is set when S1STA is loaded with a valid status code.

The ADCI flag may be reset by software. It cannot be set by software. All other flags that generate interrupts may be set or cleared by software, and the effect is the same as setting or resetting the flags by hardware. Thus, interrupts may be generated by software and pending interrupts can be canceled by software.

Interrupt Enable Registers: Each interrupt source can be individually enabled or disabled by setting or clearing a bit in the

interrupt enable special function registers IEN0 and IEN1. All interrupt sources can also be globally enabled or disabled by setting or clearing bit EA in IEN0. The interrupt enable registers are described in Figures 26 and 27.

There are 3 SFRs associated with each of the four-level interrupts. They are the IENx, IPx, and IPxH. (See Figures 28, 29, and 30.) The IPxH (Interrupt Priority High) register makes the four-level interrupt structure possible.

The function of the IPxH SFR is simple and when combined with the IPx SFR determines the priority of each interrupt. The priority of each interrupt is determined as shown in the following table:

PRIORITY BITS		INTERRUPT PRIORITY LEVEL
IPxH.x	IPx.x	
0	0	Level 0 (lowest priority)
0	1	Level 1
1	0	Level 2
1	1	Level 3 (highest priority)

The priority scheme for servicing the interrupts is the same as that for the 80C51, except there are four interrupt levels rather than two as on the 80C51. An interrupt will be serviced as long as an interrupt of equal or higher priority is not already being serviced. If an interrupt of equal or higher level priority is being serviced, the new interrupt will wait until it is finished before being serviced. If a lower priority level interrupt is being serviced, it will be stopped and the new interrupt serviced. When the new interrupt is finished, the lower priority level interrupt that was stopped will be completed.

IEN0 (A8H)	7	6	5	4	3	2	1	0
	EA	EAD	ES1	ES0	ET1	EX1	ET0	EX0
	(MSB)				(LSB)			
BIT	SYMBOL	FUNCTION						
IEN0.7	EA	Global enable/disable control 0 = No interrupt is enabled 1 = Any individually enabled interrupt will be accepted						
IEN0.6	EAD	Eanble ADC interrupt						
IEN0.5	ES1	Enable SIO1 (I ² C) interrupt						
IEN0.4	ES0	Enable SIO0 (UART) interrupt						
IEN0.3	ET1	Enable Timer 1 interrupt						
IEN0.2	EX1	Enable External interrupt 1						
IEN0.1	ET0	Enable Timer 0 interrupt						
IEN0.0	EX0	Enable External interrupt 0						

SU00762

Figure 26. Interrupt Enable Register (IEN0)

80C51 8-bit microcontroller
 8K/256 OTP, 8 channel 10 bit A/D, I²C, PWM,
 capture/compare, high I/O, low voltage (2.7 V to 5.5 V), low power

P87C552

	7	6	5	4	3	2	1	0
IEN1 (E8H)	ET2	ECM2	ECM1	ECM0	ECT3	ECT2	ECT1	ECT0
	(MSB)							(LSB)
	BIT	SYMBOL	FUNCTION					
	IEN1.7	ET2	Enable Timer T2 overflow interrupt(s)					
	IEN1.6	ECM2	Enable T2 Comparator 2 interrupt					
	IEN1.5	ECM1	Enable T2 Comparator 1 interrupt					
	IEN1.4	ECM0	Enable T2 Comparator 0 interrupt					
	IEN1.3	ECT3	Enable T2 Capture register 3 interrupt					
	IEN1.2	ECT2	Enable T2 Capture register 2 interrupt					
	IEN1.1	ECT1	Enable T2 Capture register 1 interrupt					
	IEN1.0	ECT0	Enable T2 Capture register 0 interrupt					

SU00755

In all cases, if the enable bit is 0, then the interrupt is disabled, and if the enable bit is 1, then the interrupt is enabled.

Figure 27. Interrupt Enable Register (IEN1)

	7	6	5	4	3	2	1	0
IP0 (B8H)	-	PAD	PS1	PS0	PT1	PX1	PT0	PX0
	(MSB)							(LSB)
	BIT	SYMBOL	FUNCTION					
	IP0.7	-	Unused					
	IP0.6	PAD	ADC interrupt priority level					
	IP0.5	PS1	SIO1 (I ² C) interrupt priority level					
	IP0.4	PS0	SIO0 (UART) interrupt priority level					
	IP0.3	PT1	Timer 1 interrupt priority level					
	IP0.2	PX1	External interrupt 1 priority level					
	IP0.1	PT0	Timer 0 interrupt priority level					
	IP0.0	PX0	External interrupt 0 priority level					

SU00763

Figure 28. Interrupt Priority Register (IP0)

	7	6	5	4	3	2	1	0
IP0H (B7H)	-	PADH	PS1H	PS0H	PT1H	PX1H	PT0H	PX0H
	(MSB)							(LSB)
	BIT	SYMBOL	FUNCTION					
	IP0H.7	-	Unused					
	IP0H.6	PADH	ADC interrupt priority level high					
	IP0H.5	PS1H	SIO1 (I ² C) interrupt priority level high					
	IP0H.4	PS0H	SIO0 (UART) interrupt priority level high					
	IP0H.3	PT1H	Timer 1 interrupt priority level high					
	IP0H.2	PX1H	External interrupt 1 priority level high					
	IP0H.1	PT0H	Timer 0 interrupt priority level high					
	IP0H.0	PX0H	External interrupt 0 priority level high					

SU00983

Figure 29. Interrupt Priority Register High (IP0H)

80C51 8-bit microcontroller
 8K/256 OTP, 8 channel 10 bit A/D, I²C, PWM,
 capture/compare, high I/O, low voltage (2.7 V to 5.5 V), low power

P87C552

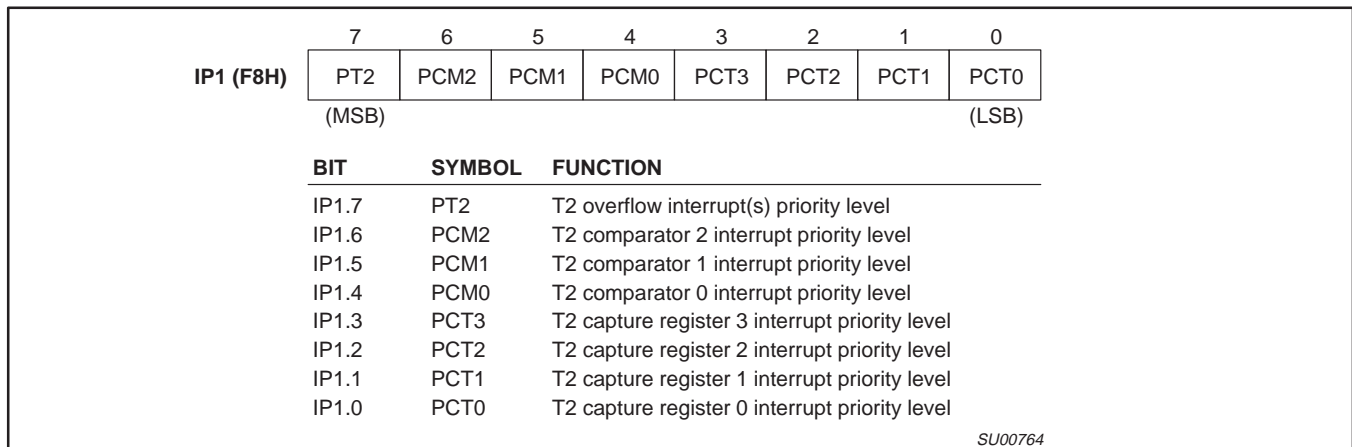


Figure 30. Interrupt Priority Register (IP1)

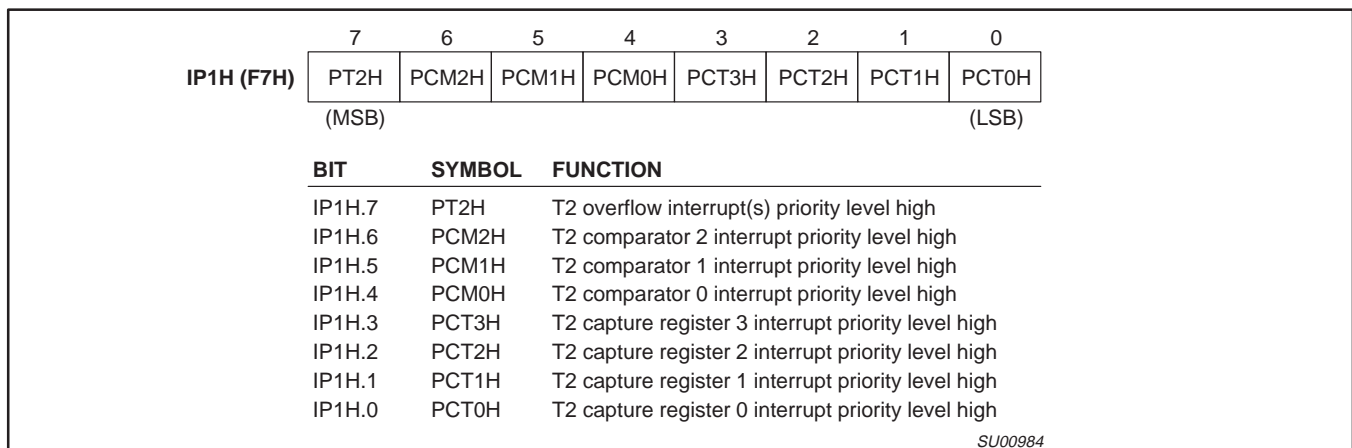


Figure 31. Interrupt Priority Register High (IP1H)

Table 3. Interrupt Priority Structure

SOURCE	NAME	PRIORITY WITHIN LEVEL
External interrupt 0	X0	(highest) ↑
SIO1 (I ² C)	S1	
ADC completion	ADC	
Timer 0 overflow	T0	
T2 capture 0	CT0	
T2 compare 0	CM0	
External interrupt 1	X1	
T2 capture 1	CT1	
T2 compare 1	CM1	
Timer 1 overflow	T1	
T2 capture 2	CT2	
T2 compare 2	CM2	
SIO0 (UART)	S0	
T2 capture 3	CT3	
Timer T2 overflow	T2	↓ (lowest)

Table 4. Interrupt Vector Addresses

SOURCE	NAME	VECTOR ADDRESS
External interrupt 0	X0	0003H
Timer 0 overflow	T0	000BH
External interrupt 1	X1	0013H
Timer 1 overflow	T1	001BH
SIO0 (UART)	S0	0023H
SIO1 (I ² C)	S1	002BH
T2 capture 0	CT0	0033H
T2 capture 1	CT1	003BH
T2 capture 2	CT2	0043H
T2 capture 3	CT3	004BH
ADC completion	ADC	0053H
T2 compare 0	CM0	005BH
T2 compare 1	CM1	0063H
T2 compare 2	CM2	006BH
T2 overflow	T2	0073H

80C51 8-bit microcontroller
 8K/256 OTP, 8 channel 10 bit A/D, I²C, PWM,
 capture/compare, high I/O, low voltage (2.7 V to 5.5 V), low power

P87C552

SIO1, I²C Serial I/O: The I²C bus uses two wires (SDA and SCL) to transfer information between devices connected to the bus. The main features of the bus are:

- Bidirectional data transfer between masters and slaves
- Multimaster bus (no central master)
- Arbitration between simultaneously transmitting masters without corruption of serial data on the bus
- Serial clock synchronization allows devices with different bit rates to communicate via one serial bus
- Serial clock synchronization can be used as a handshake mechanism to suspend and resume serial transfer
- The I²C bus may be used for test and diagnostic purposes

The output latches of P1.6 and P1.7 must be set to logic 1 in order to enable SIO1.

The 8XC552 on-chip I²C logic provides a serial interface that meets the I²C bus specification and supports all transfer modes (other than the low-speed mode) from and to the I²C bus. The SIO1 logic handles bytes transfer autonomously. It also keeps track of serial transfers, and a status register (S1STA) reflects the status of SIO1 and the I²C bus.

The CPU interfaces to the I²C logic via the following four special function registers: S1CON (SIO1 control register), S1STA (SIO1 status register), S1DAT (SIO1 data register), and S1ADR (SIO1 slave address register). The SIO1 logic interfaces to the external I²C bus via two port 1 pins: P1.6/SCL (serial clock line) and P1.7/SDA (serial data line).

A typical I²C bus configuration is shown in Figure 32, and Figure 33 shows how a data transfer is accomplished on the bus. Depending on the state of the direction bit (R/W), two types of data transfers are possible on the I²C bus:

1. Data transfer from a master transmitter to a slave receiver. The first byte transmitted by the master is the slave address. Next follows a number of data bytes. The slave returns an acknowledge bit after each received byte.
2. Data transfer from a slave transmitter to a master receiver. The first byte (the slave address) is transmitted by the master. The slave then returns an acknowledge bit. Next follows the data bytes transmitted by the slave to the master. The master returns an acknowledge bit after all received bytes other than the last byte. At the end of the last received byte, a "not acknowledge" is returned.

The master device generates all of the serial clock pulses and the START and STOP conditions. A transfer is ended with a STOP condition or with a repeated START condition. Since a repeated START condition is also the beginning of the next serial transfer, the I²C bus will not be released.

Modes of Operation: The on-chip SIO1 logic may operate in the following four modes:

1. Master Transmitter Mode:

Serial data output through P1.7/SDA while P1.6/SCL outputs the serial clock. The first byte transmitted contains the slave address of the receiving device (7 bits) and the data direction bit. In this case the data direction bit (R/\overline{W}) will be logic 0, and we say that a "W" is transmitted. Thus the first byte transmitted is SLA+W. Serial data is transmitted 8 bits at a time. After each byte is transmitted, an acknowledge bit is received. START and STOP conditions are output to indicate the beginning and the end of a serial transfer.

2. Master Receiver Mode:

The first byte transmitted contains the slave address of the transmitting device (7 bits) and the data direction bit. In this case the data direction bit (R/\overline{W}) will be logic 1, and we say that an "R" is transmitted. Thus the first byte transmitted is SLA+R. Serial data is received via P1.7/SDA while P1.6/SCL outputs the serial clock. Serial data is received 8 bits at a time. After each byte is received, an acknowledge bit is transmitted. START and STOP conditions are output to indicate the beginning and end of a serial transfer.

3. Slave Receiver Mode:

Serial data and the serial clock are received through P1.7/SDA and P1.6/SCL. After each byte is received, an acknowledge bit is transmitted. START and STOP conditions are recognized as the beginning and end of a serial transfer. Address recognition is performed by hardware after reception of the slave address and direction bit.

4. Slave Transmitter Mode:

The first byte is received and handled as in the slave receiver mode. However, in this mode, the direction bit will indicate that the transfer direction is reversed. Serial data is transmitted via P1.7/SDA while the serial clock is input through P1.6/SCL. START and STOP conditions are recognized as the beginning and end of a serial transfer.

In a given application, SIO1 may operate as a master and as a slave. In the slave mode, the SIO1 hardware looks for its own slave address and the general call address. If one of these addresses is detected, an interrupt is requested. When the microcontroller wishes to become the bus master, the hardware waits until the bus is free before the master mode is entered so that a possible slave action is not interrupted. If bus arbitration is lost in the master mode, SIO1 switches to the slave mode immediately and can detect its own slave address in the same serial transfer.

80C51 8-bit microcontroller
 8K/256 OTP, 8 channel 10 bit A/D, I²C, PWM,
 capture/compare, high I/O, low voltage (2.7 V to 5.5 V), low power

P87C552

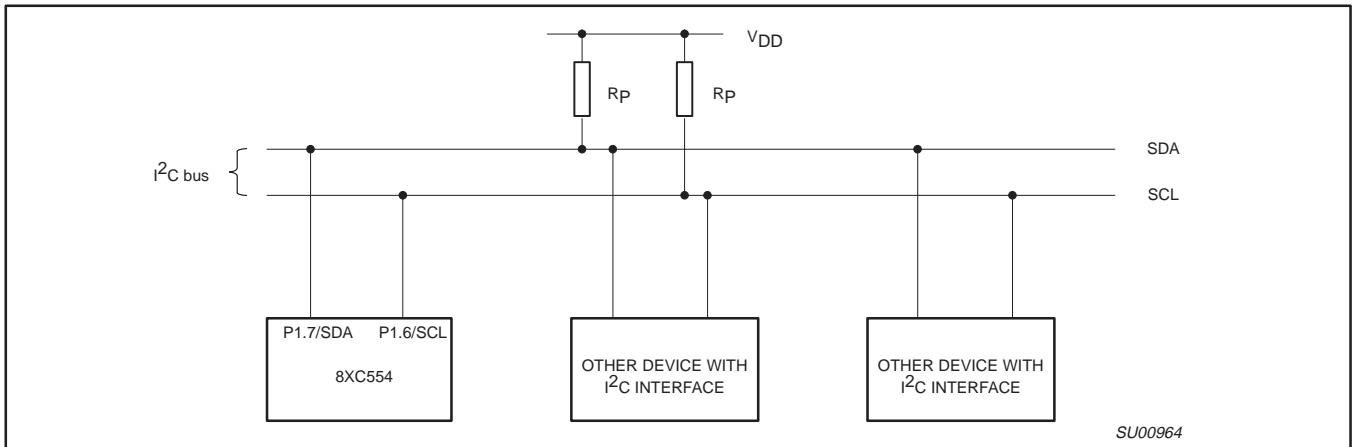


Figure 32. Typical I²C Bus Configuration

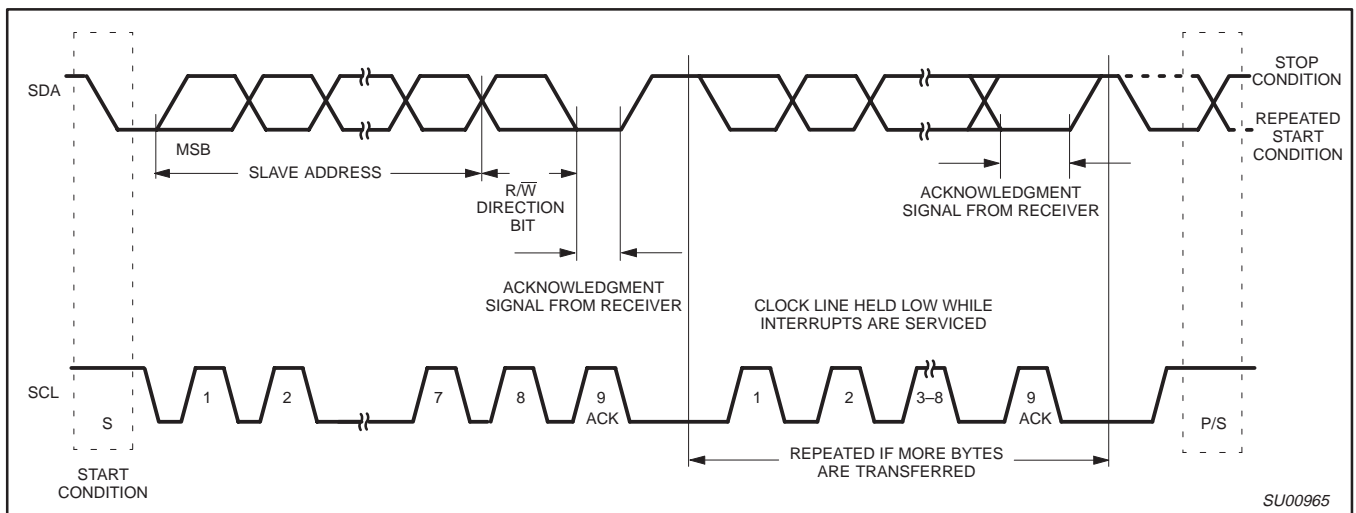


Figure 33. Data Transfer on the I²C Bus

SIO1 Implementation and Operation: Figure 34 shows how the on-chip I²C bus interface is implemented, and the following text describes the individual blocks.

INPUT FILTERS AND OUTPUT STAGES

The input filters have I²C compatible input levels. If the input voltage is less than 1.5V, the input logic level is interpreted as 0; if the input voltage is greater than 3.0V, the input logic level is interpreted as 1. Input signals are synchronized with the internal clock ($f_{OSC}/4$), and spikes shorter than three oscillator periods are filtered out.

The output stages consist of open drain transistors that can sink 3mA at $V_{OUT} < 0.4V$. These open drain outputs do not have clamping diodes to V_{DD} . Thus, if the device is connected to the I²C bus and V_{DD} is switched off, the I²C bus is not affected.

ADDRESS REGISTER, S1ADR

This 8-bit special function register may be loaded with the 7-bit slave address (7 most significant bits) to which SIO1 will respond when programmed as a slave transmitter or receiver. The LSB (GC) is used to enable general call address (00H) recognition.

COMPARATOR

The comparator compares the received 7-bit slave address with its own slave address (7 most significant bits in S1ADR). It also compares the first received 8-bit byte with the general call address (00H). If an equality is found, the appropriate status bits are set and an interrupt is requested.

SHIFT REGISTER, S1DAT

This 8-bit special function register contains a byte of serial data to be transmitted or a byte which has just been received. Data in S1DAT is always shifted from right to left; the first bit to be transmitted is the MSB (bit 7) and, after a byte has been received, the first bit of received data is located at the MSB of S1DAT. While data is being shifted out, data on the bus is simultaneously being shifted in; S1DAT always contains the last byte present on the bus. Thus, in the event of lost arbitration, the transition from master transmitter to slave receiver is made with the correct data in S1DAT.

80C51 8-bit microcontroller
 8K/256 OTP, 8 channel 10 bit A/D, I²C, PWM,
 capture/compare, high I/O, low voltage (2.7 V to 5.5 V), low power

P87C552

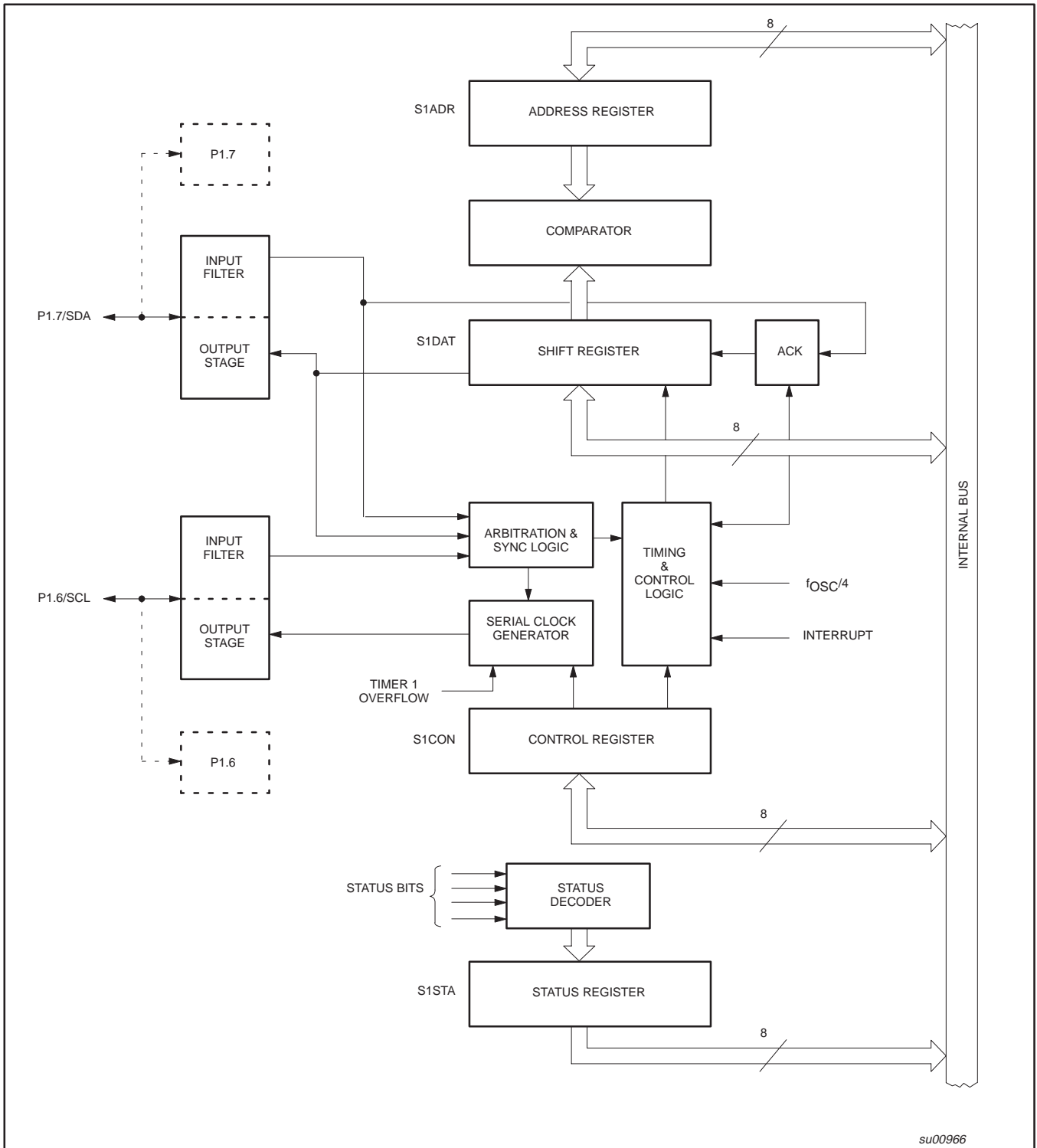


Figure 34. I²C Bus Serial Interface Block Diagram

80C51 8-bit microcontroller
 8K/256 OTP, 8 channel 10 bit A/D, I²C, PWM,
 capture/compare, high I/O, low voltage (2.7 V to 5.5 V), low power

P87C552

ARBITRATION AND SYNCHRONIZATION LOGIC

In the master transmitter mode, the arbitration logic checks that every transmitted logic 1 actually appears as a logic 1 on the I²C bus. If another device on the bus overrules a logic 1 and pulls the SDA line low, arbitration is lost, and SIO1 immediately changes from master transmitter to slave receiver. SIO1 will continue to output clock pulses (on SCL) until transmission of the current serial byte is complete.

Arbitration may also be lost in the master receiver mode. Loss of arbitration in this mode can only occur while SIO1 is returning a "not acknowledge: (logic 1) to the bus. Arbitration is lost when another device on the bus pulls this signal LOW. Since this can occur only at the end of a serial byte, SIO1 generates no further clock pulses. Figure 35 shows the arbitration procedure.

The synchronization logic will synchronize the serial clock generator with the clock pulses on the SCL line from another device. If two or more master devices generate clock pulses, the "mark" duration is determined by the device that generates the shortest "marks," and the "space" duration is determined by the device that generates the longest "spaces." Figure 36 shows the synchronization procedure.

A slave may stretch the space duration to slow down the bus master. The space duration may also be stretched for handshaking purposes. This can be done after each bit or after a complete byte transfer. SIO1 will stretch the SCL space duration after a byte has been transmitted or received and the acknowledge bit has been transferred. The serial interrupt flag (SI) is set, and the stretching continues until the serial interrupt flag is cleared.

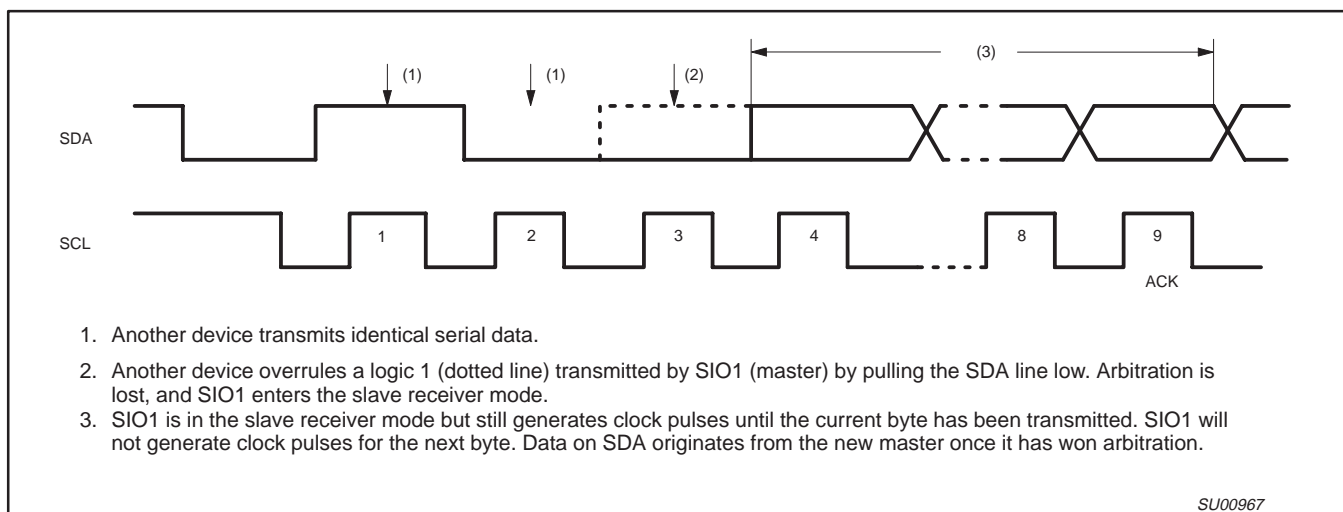


Figure 35. Arbitration Procedure

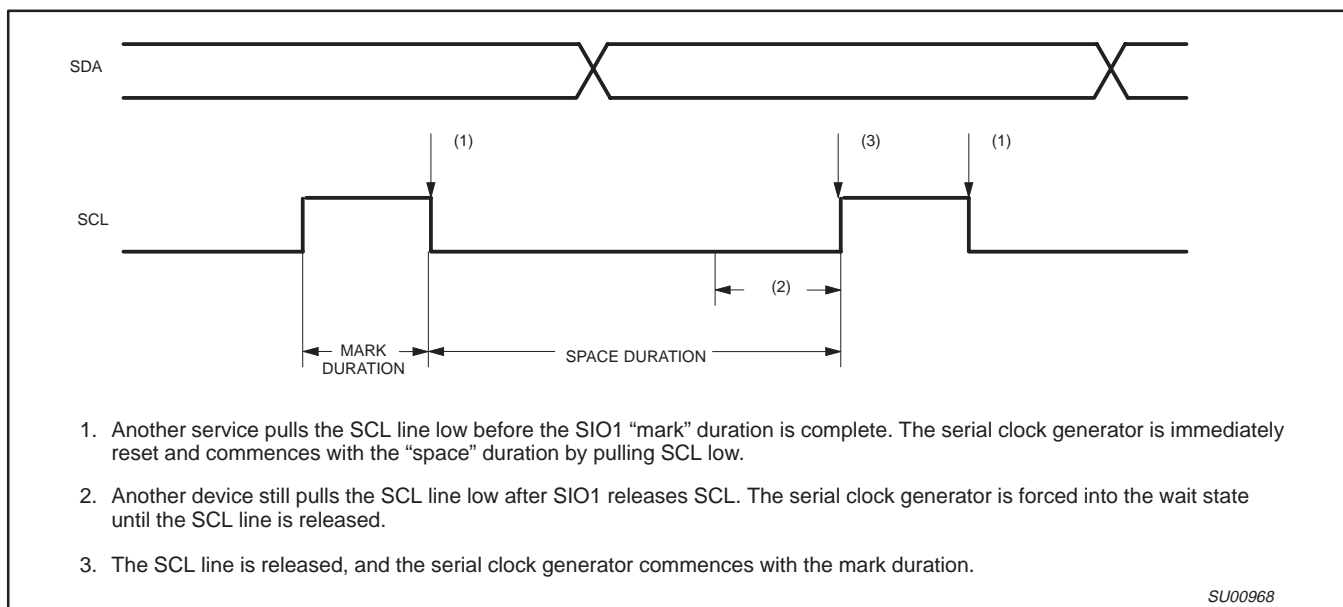


Figure 36. Serial Clock Synchronization

80C51 8-bit microcontroller
 8K/256 OTP, 8 channel 10 bit A/D, I²C, PWM,
 capture/compare, high I/O, low voltage (2.7 V to 5.5 V), low power

P87C552

SERIAL CLOCK GENERATOR

This programmable clock pulse generator provides the SCL clock pulses when SIO1 is in the master transmitter or master receiver mode. It is switched off when SIO1 is in a slave mode. The programmable output clock frequencies are: $f_{OSC}/120$, $f_{OSC}/9600$, and the Timer 1 overflow rate divided by eight. The output clock pulses have a 50% duty cycle unless the clock generator is synchronized with other SCL clock sources as described above.

TIMING AND CONTROL

The timing and control logic generates the timing and control signals for serial byte handling. This logic block provides the shift pulses for S1DAT, enables the comparator, generates and detects start and stop conditions, receives and transmits acknowledge bits, controls the master and slave modes, contains interrupt request logic, and monitors the I²C bus status.

CONTROL REGISTER, S1CON

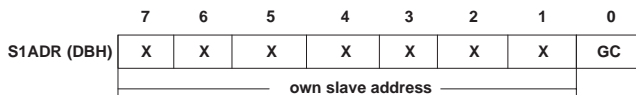
This 7-bit special function register is used by the microcontroller to control the following SIO1 functions: start and restart of a serial transfer, termination of a serial transfer, bit rate, address recognition, and acknowledgment.

STATUS DECODER AND STATUS REGISTER

The status decoder takes all of the internal status bits and compresses them into a 5-bit code. This code is unique for each I²C bus status. The 5-bit code may be used to generate vector addresses for fast processing of the various service routines. Each service routine processes a particular bus status. There are 26 possible bus states if all four modes of SIO1 are used. The 5-bit status code is latched into the five most significant bits of the status register when the serial interrupt flag is set (by hardware) and remains stable until the interrupt flag is cleared by software. The three least significant bits of the status register are always zero. If the status code is used as a vector to service routines, then the routines are displaced by eight address locations. Eight bytes of code is sufficient for most of the service routines (see the software example in this section).

The Four SIO1 Special Function Registers: The microcontroller interfaces to SIO1 via four special function registers. These four SFRs (S1ADR, S1DAT, S1CON, and S1STA) are described individually in the following sections.

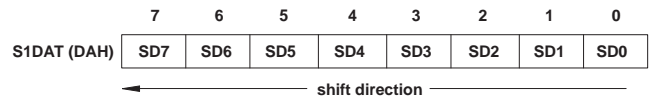
The Address Register, S1ADR: The CPU can read from and write to this 8-bit, directly addressable SFR. S1ADR is not affected by the SIO1 hardware. The contents of this register are irrelevant when SIO1 is in a master mode. In the slave modes, the seven most significant bits must be loaded with the microcontroller's own slave address, and, if the least significant bit is set, the general call address (00H) is recognized; otherwise it is ignored.



The most significant bit corresponds to the first bit received from the I²C bus after a start condition. A logic 1 in S1ADR corresponds to a high level on the I²C bus, and a logic 0 corresponds to a low level on the bus.

The Data Register, S1DAT: S1DAT contains a byte of serial data to be transmitted or a byte which has just been received. The CPU can

read from and write to this 8-bit, directly addressable SFR while it is not in the process of shifting a byte. This occurs when SIO1 is in a defined state and the serial interrupt flag is set. Data in S1DAT remains stable as long as SI is set. Data in S1DAT is always shifted from right to left: the first bit to be transmitted is the MSB (bit 7), and, after a byte has been received, the first bit of received data is located at the MSB of S1DAT. While data is being shifted out, data on the bus is simultaneously being shifted in; S1DAT always contains the last data byte present on the bus. Thus, in the event of lost arbitration, the transition from master transmitter to slave receiver is made with the correct data in S1DAT.



SD7 - SD0:

Eight bits to be transmitted or just received. A logic 1 in S1DAT corresponds to a high level on the I²C bus, and a logic 0 corresponds to a low level on the bus. Serial data shifts through S1DAT from right to left. Figure 37 shows how data in S1DAT is serially transferred to and from the SDA line.

S1DAT and the ACK flag form a 9-bit shift register which shifts in or shifts out an 8-bit byte, followed by an acknowledge bit. The ACK flag is controlled by the SIO1 hardware and cannot be accessed by the CPU. Serial data is shifted through the ACK flag into S1DAT on the rising edges of serial clock pulses on the SCL line. When a byte has been shifted into S1DAT, the serial data is available in S1DAT, and the acknowledge bit is returned by the control logic during the ninth clock pulse. Serial data is shifted out from S1DAT via a buffer (BSD7) on the falling edges of clock pulses on the SCL line.

When the CPU writes to S1DAT, BSD7 is loaded with the content of S1DAT.7, which is the first bit to be transmitted to the SDA line (see Figure 38). After nine serial clock pulses, the eight bits in S1DAT will have been transmitted to the SDA line, and the acknowledge bit will be present in ACK. Note that the eight transmitted bits are shifted back into S1DAT.

The Control Register, S1CON: The CPU can read from and write to this 8-bit, directly addressable SFR. Two bits are affected by the SIO1 hardware: the SI bit is set when a serial interrupt is requested, and the STO bit is cleared when a STOP condition is present on the I²C bus. The STO bit is also cleared when ENS1 = "0".



ENS1, THE SIO1 ENABLE BIT

ENS1 = "0": When ENS1 is "0", the SDA and SCL outputs are in a high impedance state. SDA and SCL input signals are ignored, SIO1 is in the "not addressed" slave state, and the STO bit in S1CON is forced to "0". No other bits are affected. P1.6 and P1.7 may be used as open drain I/O ports.

ENS1 = "1": When ENS1 is "1", SIO1 is enabled. The P1.6 and P1.7 port latches must be set to logic 1.

ENS1 should not be used to temporarily release SIO1 from the I²C bus since, when ENS1 is reset, the I²C bus status is lost. The AA flag should be used instead (see description of the AA flag in the following text).

80C51 8-bit microcontroller
 8K/256 OTP, 8 channel 10 bit A/D, I²C, PWM,
 capture/compare, high I/O, low voltage (2.7 V to 5.5 V), low power

P87C552

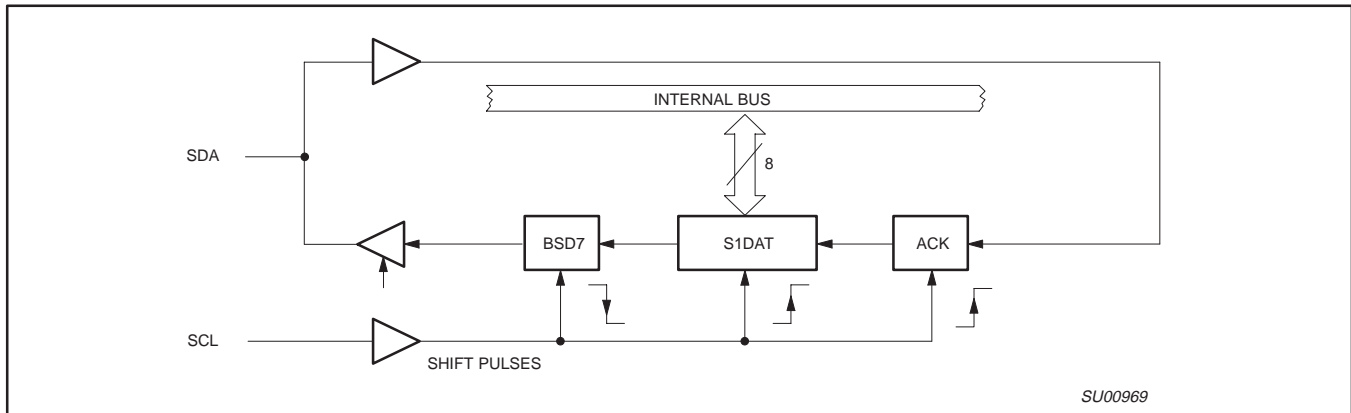


Figure 37. Serial Input/Output Configuration

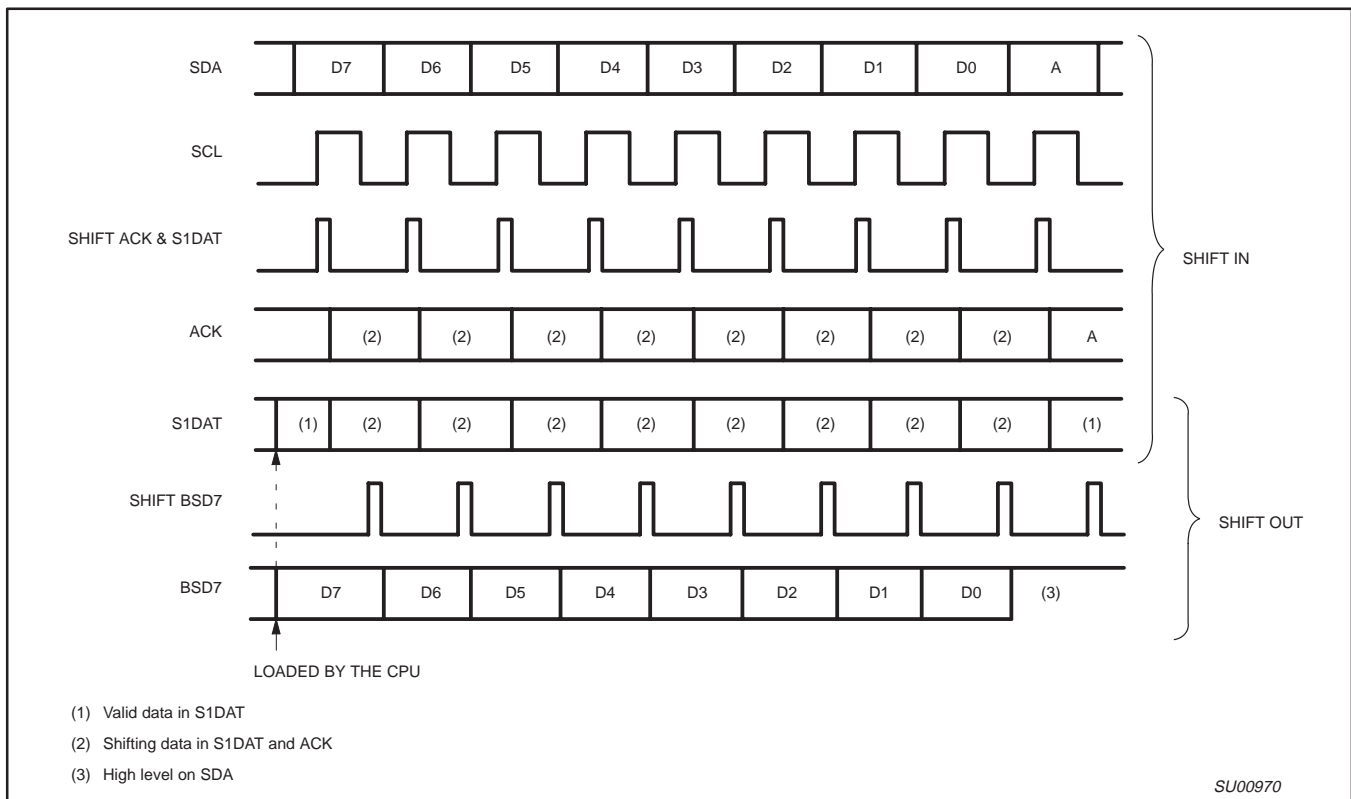


Figure 38. Shift-in and Shift-out Timing

In the following text, it is assumed that ENS1 = "1".

STA, THE START FLAG

STA = "1": When the STA bit is set to enter a master mode, the SIO1 hardware checks the status of the I²C bus and generates a START condition if the bus is free. If the bus is not free, then SIO1 waits for a STOP condition (which will free the bus) and generates a START condition after a delay of a half clock period of the internal serial clock generator.

If STA is set while SIO1 is already in a master mode and one or more bytes are transmitted or received, SIO1 transmits a repeated START condition. STA may be set at any time. STA may also be set when SIO1 is an addressed slave.

STA = "0": When the STA bit is reset, no START condition or repeated START condition will be generated.

STO, THE STOP FLAG

STO = "1": When the STO bit is set while SIO1 is in a master mode, a STOP condition is transmitted to the I²C bus. When the STOP condition is detected on the bus, the SIO1 hardware clears the STO flag. In a slave mode, the STO flag may be set to recover from an error condition. In this case, no STOP condition is transmitted to the I²C bus. However, the SIO1 hardware behaves as if a STOP condition has been received and switches to the defined "not addressed" slave receiver mode. The STO flag is automatically cleared by hardware.

80C51 8-bit microcontroller
 8K/256 OTP, 8 channel 10 bit A/D, I²C, PWM,
 capture/compare, high I/O, low voltage (2.7 V to 5.5 V), low power

P87C552

If the STA and STO bits are both set, the a STOP condition is transmitted to the I²C bus if SIO1 is in a master mode (in a slave mode, SIO1 generates an internal STOP condition which is not transmitted). SIO1 then transmits a START condition.

STO = "0": When the STO bit is reset, no STOP condition will be generated.

SI, THE SERIAL INTERRUPT FLAG

SI = "1": When the SI flag is set, then, if the EA and ES1 (interrupt enable register) bits are also set, a serial interrupt is requested. SI is set by hardware when one of 25 of the 26 possible SIO1 states is entered. The only state that does not cause SI to be set is state F8H, which indicates that no relevant state information is available.

While SI is set, the low period of the serial clock on the SCL line is stretched, and the serial transfer is suspended. A high level on the SCL line is unaffected by the serial interrupt flag. SI must be reset by software.

SI = "0": When the SI flag is reset, no serial interrupt is requested, and there is no stretching of the serial clock on the SCL line.

AA, THE ASSERT ACKNOWLEDGE FLAG

AA = "1": If the AA flag is set, an acknowledge (low level to SDA) will be returned during the acknowledge clock pulse on the SCL line when:

- The "own slave address" has been received
- The general call address has been received while the general call bit (GC) in S1ADR is set
- A data byte has been received while SIO1 is in the master receiver mode
- A data byte has been received while SIO1 is in the addressed slave receiver mode

AA = "0": if the AA flag is reset, a not acknowledge (high level to SDA) will be returned during the acknowledge clock pulse on SCL when:

- A data has been received while SIO1 is in the master receiver mode
- A data byte has been received while SIO1 is in the addressed slave receiver mode

When SIO1 is in the addressed slave transmitter mode, state C8H will be entered after the last serial is transmitted (see Figure 42). When SI is cleared, SIO1 leaves state C8H, enters the not addressed slave receiver mode, and the SDA line remains at a high level. In state C8H, the AA flag can be set again for future address recognition.

When SIO1 is in the not addressed slave mode, its own slave address and the general call address are ignored. Consequently, no acknowledge is returned, and a serial interrupt is not requested. Thus, SIO1 can be temporarily released from the I²C bus while the bus status is monitored. While SIO1 is released from the bus, START and STOP conditions are detected, and serial data is shifted in. Address recognition can be resumed at any time by setting the AA flag. If the AA flag is set when the part's own slave address or the general call address has been partly received, the address will be recognized at the end of the byte transmission.

CR0, CR1, AND CR2, THE CLOCK RATE BITS

These three bits determine the serial clock frequency when SIO1 is in a master mode. The various serial rates are shown in Table 5.

A 12.5kHz bit rate may be used by devices that interface to the I²C bus via standard I/O port lines which are software driven and slow. 100kHz is usually the maximum bit rate and can be derived from a 16MHz, 12MHz, or a 6MHz oscillator. A variable bit rate (0.5kHz to 62.5kHz) may also be used if Timer 1 is not required for any other purpose while SIO1 is in a master mode.

The frequencies shown in Table 5 are unimportant when SIO1 is in a slave mode. In the slave modes, SIO1 will automatically synchronize with any clock frequency up to 100kHz.

The Status Register, S1STA: S1STA is an 8-bit read-only special function register. The three least significant bits are always zero. The five most significant bits contain the status code. There are 26 possible status codes. When S1STA contains F8H, no relevant state information is available and no serial interrupt is requested. All other S1STA values correspond to defined SIO1 states. When each of these states is entered, a serial interrupt is requested (SI = "1"). A valid status code is present in S1STA one machine cycle after SI is set by hardware and is still present one machine cycle after SI has been reset by software.

Table 5. Serial Clock Rates

CR2	CR1	CR0	BIT FREQUENCY (kHz) AT f _{osc}			f _{osc} DIVIDED BY
			6MHz	12MHz	16MHz	
0	0	0	23	47	62.5	256
0	0	1	27	54	71	224
0	1	0	31	63	83.3	192
0	1	1	37	75	100	160
1	0	0	6.25	12.5	17	960
1	0	1	50	100	133 ¹	120
1	1	0	100	200	267 ¹	60
1	1	1	0.24 < 62.5 0 < 255	0.49 < 62.5 0 < 254	0.65 < 55.6 0 < 253	96 × (256 - (reload value Timer 1)) Reload value Timer 1 in Mode 2.

NOTES:

1. These frequencies exceed the upper limit of 100kHz of the I²C-bus specification and cannot be used in an I²C-bus application.

80C51 8-bit microcontroller
 8K/256 OTP, 8 channel 10 bit A/D, I²C, PWM,
 capture/compare, high I/O, low voltage (2.7 V to 5.5 V), low power

P87C552

More Information on SIO1 Operating Modes: The four operating modes are:

- Master Transmitter
- Master Receiver
- Slave Receiver
- Slave Transmitter

Data transfers in each mode of operation are shown in Figures 39–42. These figures contain the following abbreviations:

Abbreviation	Explanation
S	Start condition
SLA	7-bit slave address
R	Read bit (high level at SDA)
W	Write bit (low level at SDA)
A	Acknowledge bit (low level at SDA)
\bar{A}	Not acknowledge bit (high level at SDA)
Data	8-bit data byte
P	Stop condition

In Figures 39-42, circles are used to indicate when the serial interrupt flag is set. The numbers in the circles show the status code held in the S1STA register. At these points, a service routine must be executed to continue or complete the serial transfer. These service routines are not critical since the serial transfer is suspended until the serial interrupt flag is cleared by software.

When a serial interrupt routine is entered, the status code in S1STA is used to branch to the appropriate service routine. For each status code, the required software action and details of the following serial transfer are given in Tables 6-10.

Master Transmitter Mode: In the master transmitter mode, a number of data bytes are transmitted to a slave receiver (see Figure 39). Before the master transmitter mode can be entered, S1CON must be initialized as follows:

	7	6	5	4	3	2	1	0
S1CON (D8H)	CR2	ENS1	STA	STO	SI	AA	CR1	CR0
	bit rate	1	0	0	0	X	bit rate	

CR0, CR1, and CR2 define the serial bit rate. ENS1 must be set to logic 1 to enable SIO1. If the AA bit is reset, SIO1 will not acknowledge its own slave address or the general call address in the event of another device becoming master of the bus. In other words, if AA is reset, SIO0 cannot enter a slave mode. STA, STO, and SI must be reset.

The master transmitter mode may now be entered by setting the STA bit using the SETB instruction. The SIO1 logic will now test the I²C bus and generate a start condition as soon as the bus becomes free. When a START condition is transmitted, the serial interrupt flag (SI) is set, and the status code in the status register (S1STA) will be 08H. This status code must be used to vector to an interrupt service routine that loads S1DAT with the slave address and the data direction bit (SLA+W). The SI bit in S1CON must then be reset before the serial transfer can continue.

When the slave address and the direction bit have been transmitted and an acknowledgment bit has been received, the serial interrupt flag (SI) is set again, and a number of status codes in S1STA are possible. There are 18H, 20H, or 38H for the master mode and also 68H, 78H, or B0H if the slave mode was enabled (AA = logic 1). The appropriate action to be taken for each of these status codes is detailed in Table 6. After a repeated start condition (state 10H). SIO1

may switch to the master receiver mode by loading S1DAT with SLA+R).

Master Receiver Mode: In the master receiver mode, a number of data bytes are received from a slave transmitter (see Figure 40). The transfer is initialized as in the master transmitter mode. When the start condition has been transmitted, the interrupt service routine must load S1DAT with the 7-bit slave address and the data direction bit (SLA+R). The SI bit in S1CON must then be cleared before the serial transfer can continue.

When the slave address and the data direction bit have been transmitted and an acknowledgment bit has been received, the serial interrupt flag (SI) is set again, and a number of status codes in S1STA are possible. These are 40H, 48H, or 38H for the master mode and also 68H, 78H, or B0H if the slave mode was enabled (AA = logic 1). The appropriate action to be taken for each of these status codes is detailed in Table 7. ENS1, CR1, and CR0 are not affected by the serial transfer and are not referred to in Table 7. After a repeated start condition (state 10H), SIO1 may switch to the master transmitter mode by loading S1DAT with SLA+W.

Slave Receiver Mode: In the slave receiver mode, a number of data bytes are received from a master transmitter (see Figure 41). To initiate the slave receiver mode, S1ADR and S1CON must be loaded as follows:

	7	6	5	4	3	2	1	0
S1ADR (DBH)	X	X	X	X	X	X	X	GC
	own slave address							

The upper 7 bits are the address to which SIO1 will respond when addressed by a master. If the LSB (GC) is set, SIO1 will respond to the general call address (00H); otherwise it ignores the general call address.

	7	6	5	4	3	2	1	0
S1CON (D8H)	CR2	ENS1	STA	STO	SI	AA	CR1	CR0
	X	1	0	0	0	1	X	X

CR0, CR1, and CR2 do not affect SIO1 in the slave mode. ENS1 must be set to logic 1 to enable SIO1. The AA bit must be set to enable SIO1 to acknowledge its own slave address or the general call address. STA, STO, and SI must be reset.

When S1ADR and S1CON have been initialized, SIO1 waits until it is addressed by its own slave address followed by the data direction bit which must be "0" (W) for SIO1 to operate in the slave receiver mode. After its own slave address and the W bit have been received, the serial interrupt flag (I) is set and a valid status code can be read from S1STA. This status code is used to vector to an interrupt service routine, and the appropriate action to be taken for each of these status codes is detailed in Table 8. The slave receiver mode may also be entered if arbitration is lost while SIO1 is in the master mode (see status 68H and 78H).

If the AA bit is reset during a transfer, SIO1 will return a not acknowledge (logic 1) to SDA after the next received data byte. While AA is reset, SIO1 does not respond to its own slave address or a general call address. However, the I²C bus is still monitored and address recognition may be resumed at any time by setting AA. This means that the AA bit may be used to temporarily isolate SIO1 from the I²C bus.

80C51 8-bit microcontroller
 8K/256 OTP, 8 channel 10 bit A/D, I²C, PWM,
 capture/compare, high I/O, low voltage (2.7 V to 5.5 V), low power

P87C552

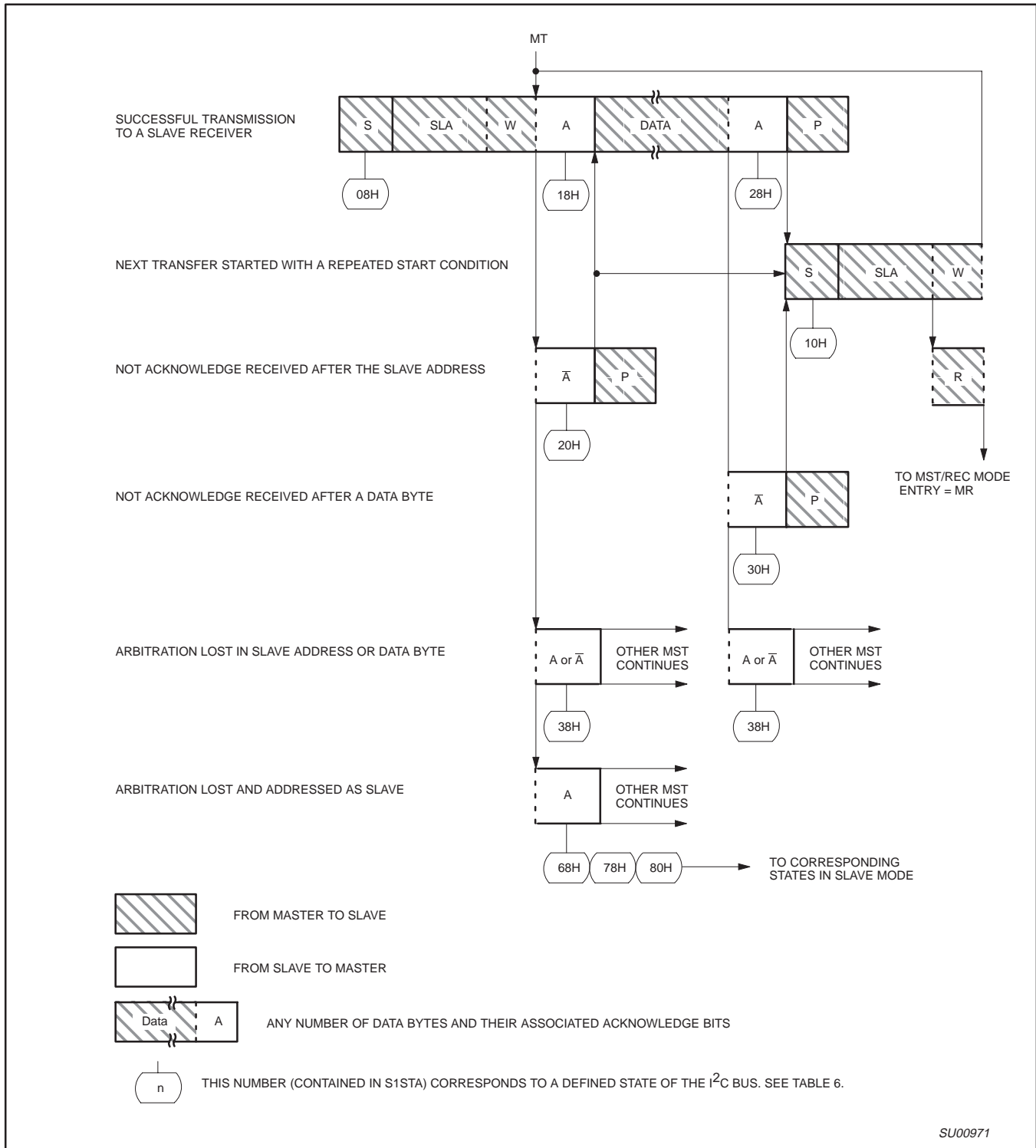


Figure 39. Format and States in the Master Transmitter Mode

80C51 8-bit microcontroller
 8K/256 OTP, 8 channel 10 bit A/D, I²C, PWM,
 capture/compare, high I/O, low voltage (2.7 V to 5.5 V), low power

P87C552

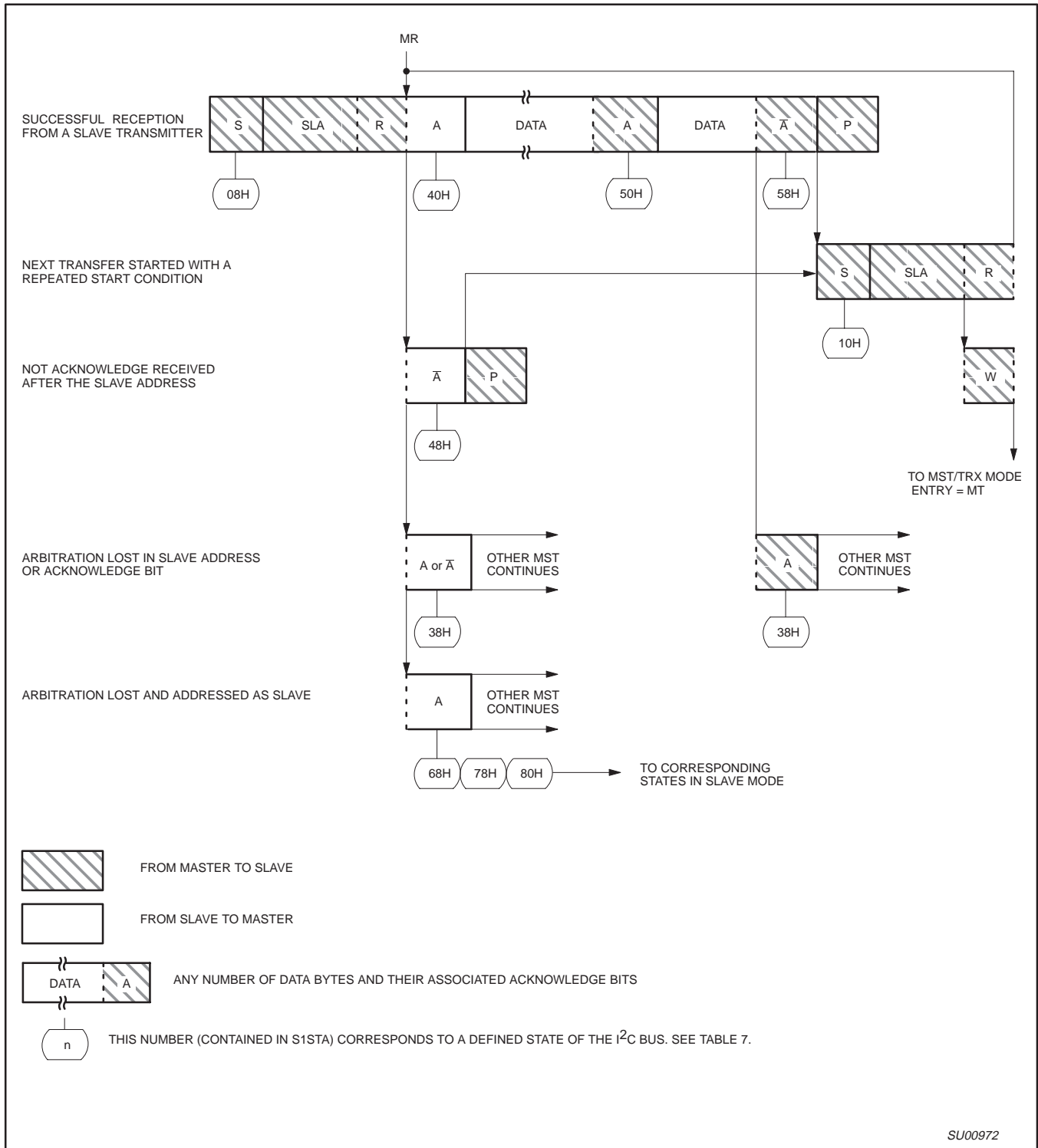


Figure 40. Format and States in the Master Receiver Mode

80C51 8-bit microcontroller
 8K/256 OTP, 8 channel 10 bit A/D, I²C, PWM,
 capture/compare, high I/O, low voltage (2.7 V to 5.5 V), low power

P87C552

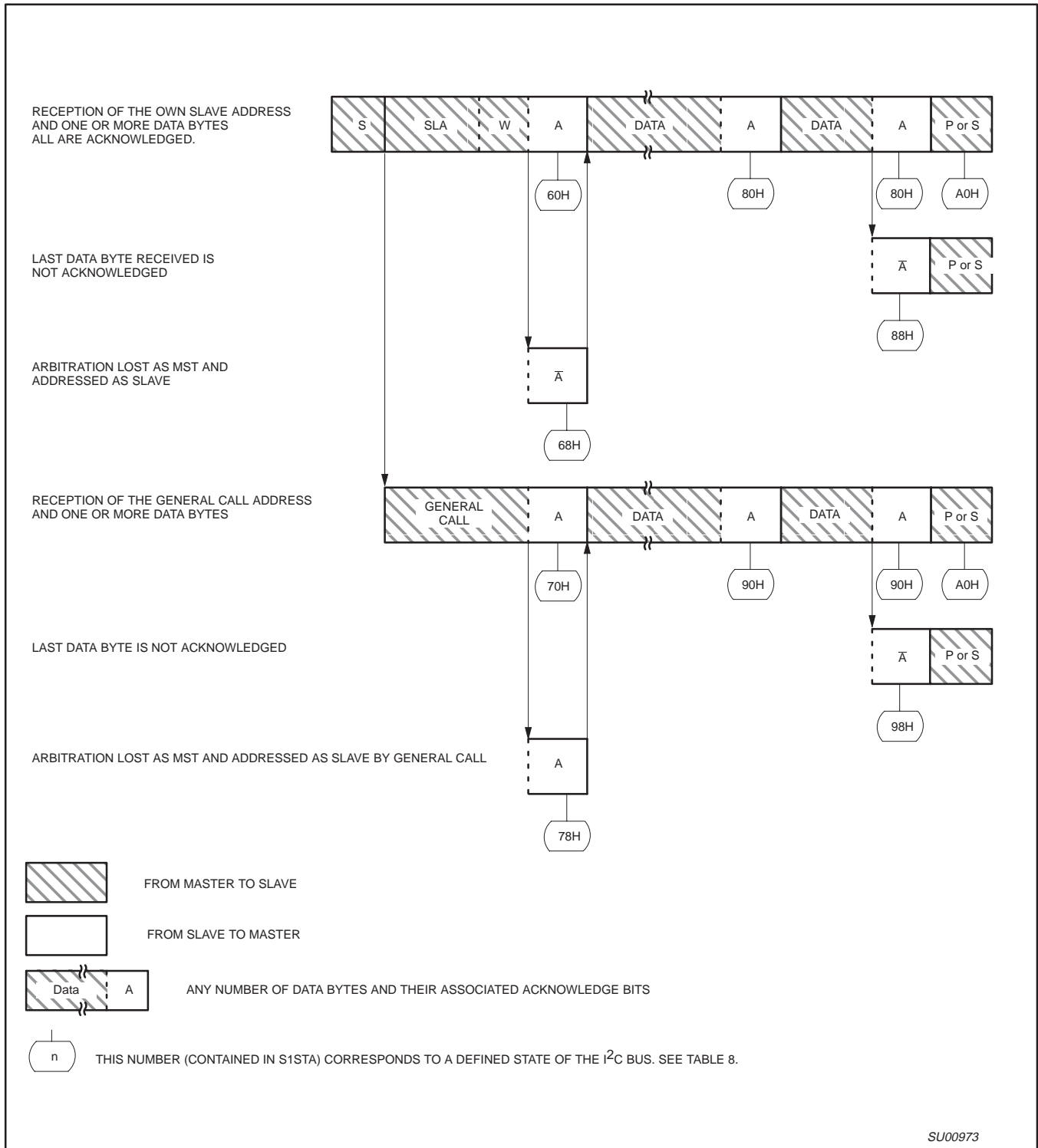


Figure 41. Format and States in the Slave Receiver Mode

80C51 8-bit microcontroller
 8K/256 OTP, 8 channel 10 bit A/D, I²C, PWM,
 capture/compare, high I/O, low voltage (2.7 V to 5.5 V), low power

P87C552

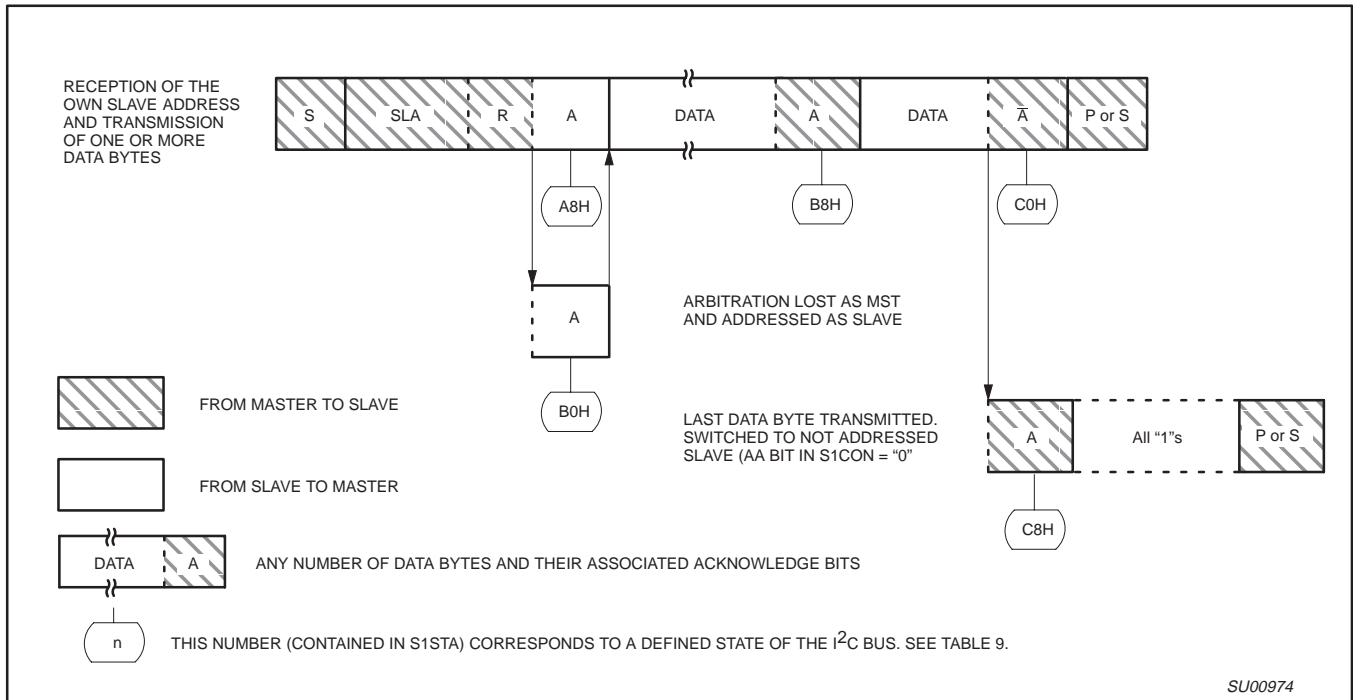


Figure 42. Format and States of the Slave Transmitter Mode

80C51 8-bit microcontroller
 8K/256 OTP, 8 channel 10 bit A/D, I²C, PWM,
 capture/compare, high I/O, low voltage (2.7 V to 5.5 V), low power

P87C552

Table 6. Master Transmitter Mode

STATUS CODE (S1STA)	STATUS OF THE I ² C BUS AND SIO1 HARDWARE	APPLICATION SOFTWARE RESPONSE					NEXT ACTION TAKEN BY SIO1 HARDWARE
		TO/FROM S1DAT	TO S1CON				
			STA	STO	SI	AA	
08H	A START condition has been transmitted	Load SLA+W	X	0	0	X	SLA+W will be transmitted; ACK bit will be received
10H	A repeated START condition has been transmitted	Load SLA+W or Load SLA+R	X X	0 0	0 0	X X	As above SLA+W will be transmitted; SIO1 will be switched to MST/REC mode
18H	SLA+W has been transmitted; ACK has been received	Load data byte or no S1DAT action or no S1DAT action or no S1DAT action	0 1 0 1	0 0 1 1	0 0 0 0	X X X X	Data byte will be transmitted; ACK bit will be received Repeated START will be transmitted; STOP condition will be transmitted; STO flag will be reset STOP condition followed by a START condition will be transmitted; STO flag will be reset
20H	SLA+W has been transmitted; NOT ACK has been received	Load data byte or no S1DAT action or no S1DAT action or no S1DAT action	0 1 0 1	0 0 1 1	0 0 0 0	X X X X	Data byte will be transmitted; ACK bit will be received Repeated START will be transmitted; STOP condition will be transmitted; STO flag will be reset STOP condition followed by a START condition will be transmitted; STO flag will be reset
28H	Data byte in S1DAT has been transmitted; ACK has been received	Load data byte or no S1DAT action or no S1DAT action or no S1DAT action	0 1 0 1	0 0 1 1	0 0 0 0	X X X X	Data byte will be transmitted; ACK bit will be received Repeated START will be transmitted; STOP condition will be transmitted; STO flag will be reset STOP condition followed by a START condition will be transmitted; STO flag will be reset
30H	Data byte in S1DAT has been transmitted; NOT ACK has been received	Load data byte or no S1DAT action or no S1DAT action or no S1DAT action	0 1 0 1	0 0 1 1	0 0 0 0	X X X X	Data byte will be transmitted; ACK bit will be received Repeated START will be transmitted; STOP condition will be transmitted; STO flag will be reset STOP condition followed by a START condition will be transmitted; STO flag will be reset
38H	Arbitration lost in SLA+R/W or Data bytes	No S1DAT action or No S1DAT action	0 1	0 0	0 0	X X	I ² C bus will be released; not addressed slave will be entered A START condition will be transmitted when the bus becomes free

80C51 8-bit microcontroller
 8K/256 OTP, 8 channel 10 bit A/D, I²C, PWM,
 capture/compare, high I/O, low voltage (2.7 V to 5.5 V), low power

P87C552

Table 7. Master Receiver Mode

STATUS CODE (S1STA)	STATUS OF THE I ² C BUS AND SIO1 HARDWARE	APPLICATION SOFTWARE RESPONSE					NEXT ACTION TAKEN BY SIO1 HARDWARE
		TO/FROM S1DAT	TO S1CON				
			STA	STO	SI	AA	
08H	A START condition has been transmitted	Load SLA+R	X	0	0	X	SLA+R will be transmitted; ACK bit will be received
10H	A repeated START condition has been transmitted	Load SLA+R or Load SLA+W	X X	0 0	0 0	X X	As above SLA+W will be transmitted; SIO1 will be switched to MST/TRX mode
38H	Arbitration lost in NOT ACK bit	No S1DAT action or No S1DAT action	0 1	0 0	0 0	X X	I ² C bus will be released; SIO1 will enter a slave mode A START condition will be transmitted when the bus becomes free
40H	SLA+R has been transmitted; ACK has been received	No S1DAT action or no S1DAT action	0 0	0 0	0 0	0 1	Data byte will be received; NOT ACK bit will be returned Data byte will be received; ACK bit will be returned
48H	SLA+R has been transmitted; NOT ACK has been received	No S1DAT action or no S1DAT action or no S1DAT action	1 0 1	0 1 1	0 0 0	X X X	Repeated START condition will be transmitted STOP condition will be transmitted; STO flag will be reset STOP condition followed by a START condition will be transmitted; STO flag will be reset
50H	Data byte has been received; ACK has been returned	Read data byte or read data byte	0 0	0 0	0 0	0 1	Data byte will be received; NOT ACK bit will be returned Data byte will be received; ACK bit will be returned
58H	Data byte has been received; NOT ACK has been returned	Read data byte or read data byte or read data byte	1 0 1	0 1 1	0 0 0	X X X	Repeated START condition will be transmitted STOP condition will be transmitted; STO flag will be reset STOP condition followed by a START condition will be transmitted; STO flag will be reset

80C51 8-bit microcontroller
 8K/256 OTP, 8 channel 10 bit A/D, I²C, PWM,
 capture/compare, high I/O, low voltage (2.7 V to 5.5 V), low power

P87C552

Table 8. Slave Receiver Mode

STATUS CODE (S1STA)	STATUS OF THE I ² C BUS AND SIO1 HARDWARE	APPLICATION SOFTWARE RESPONSE					NEXT ACTION TAKEN BY SIO1 HARDWARE
		TO/FROM S1DAT	TO S1CON				
			STA	STO	SI	AA	
60H	Own SLA+W has been received; ACK has been returned	No S1DAT action or	X	0	0	0	Data byte will be received and NOT ACK will be returned
		no S1DAT action	X	0	0	1	Data byte will be received and ACK will be returned
68H	Arbitration lost in SLA+R/W as master; Own SLA+W has been received, ACK returned	No S1DAT action or	X	0	0	0	Data byte will be received and NOT ACK will be returned
		no S1DAT action	X	0	0	1	Data byte will be received and ACK will be returned
70H	General call address (00H) has been received; ACK has been returned	No S1DAT action or	X	0	0	0	Data byte will be received and NOT ACK will be returned
		no S1DAT action	X	0	0	1	Data byte will be received and ACK will be returned
78H	Arbitration lost in SLA+R/W as master; General call address has been received, ACK has been returned	No S1DAT action or	X	0	0	0	Data byte will be received and NOT ACK will be returned
		no S1DAT action	X	0	0	1	Data byte will be received and ACK will be returned
80H	Previously addressed with own SLV address; DATA has been received; ACK has been returned	Read data byte or	X	0	0	0	Data byte will be received and NOT ACK will be returned
		read data byte	X	0	0	1	Data byte will be received and ACK will be returned
88H	Previously addressed with own SLA; DATA byte has been received; NOT ACK has been returned	Read data byte or	0	0	0	0	Switched to not addressed SLV mode; no recognition of own SLA or General call address
		read data byte or	0	0	0	1	Switched to not addressed SLV mode; Own SLA will be recognized; General call address will be recognized if S1ADR.0 = logic 1
		read data byte or	1	0	0	0	Switched to not addressed SLV mode; no recognition of own SLA or General call address. A START condition will be transmitted when the bus becomes free
		read data byte	1	0	0	1	Switched to not addressed SLV mode; Own SLA will be recognized; General call address will be recognized if S1ADR.0 = logic 1. A START condition will be transmitted when the bus becomes free.
90H	Previously addressed with General Call; DATA byte has been received; ACK has been returned	Read data byte or	X	0	0	0	Data byte will be received and NOT ACK will be returned
		read data byte	X	0	0	1	Data byte will be received and ACK will be returned
98H	Previously addressed with General Call; DATA byte has been received; NOT ACK has been returned	Read data byte or	0	0	0	0	Switched to not addressed SLV mode; no recognition of own SLA or General call address
		read data byte or	0	0	0	1	Switched to not addressed SLV mode; Own SLA will be recognized; General call address will be recognized if S1ADR.0 = logic 1
		read data byte or	1	0	0	0	Switched to not addressed SLV mode; no recognition of own SLA or General call address. A START condition will be transmitted when the bus becomes free
		read data byte	1	0	0	1	Switched to not addressed SLV mode; Own SLA will be recognized; General call address will be recognized if S1ADR.0 = logic 1. A START condition will be transmitted when the bus becomes free.

80C51 8-bit microcontroller
 8K/256 OTP, 8 channel 10 bit A/D, I²C, PWM,
 capture/compare, high I/O, low voltage (2.7 V to 5.5 V), low power

P87C552

Table 8. Slave Receiver Mode (Continued)

STATUS CODE (S1STA)	STATUS OF THE I ² C BUS AND SIO1 HARDWARE	APPLICATION SOFTWARE RESPONSE					NEXT ACTION TAKEN BY SIO1 HARDWARE
		TO/FROM S1DAT	TO S1CON				
			STA	STO	SI	AA	
A0H	A STOP condition or repeated START condition has been received while still addressed as SLV/REC or SLV/TRX	No STDAT action or	0	0	0	0	Switched to not addressed SLV mode; no recognition of own SLA or General call address
		No STDAT action or	0	0	0	1	Switched to not addressed SLV mode; Own SLA will be recognized; General call address will be recognized if S1ADR.0 = logic 1
		No STDAT action or	1	0	0	0	Switched to not addressed SLV mode; no recognition of own SLA or General call address. A START condition will be transmitted when the bus becomes free
		No STDAT action	1	0	0	1	Switched to not addressed SLV mode; Own SLA will be recognized; General call address will be recognized if S1ADR.0 = logic 1. A START condition will be transmitted when the bus becomes free.

Table 9. Slave Transmitter Mode

STATUS CODE (S1STA)	STATUS OF THE I ² C BUS AND SIO1 HARDWARE	APPLICATION SOFTWARE RESPONSE					NEXT ACTION TAKEN BY SIO1 HARDWARE
		TO/FROM S1DAT	TO S1CON				
			STA	STO	SI	AA	
A8H	Own SLA+R has been received; ACK has been returned	Load data byte or	X	0	0	0	Last data byte will be transmitted and ACK bit will be received
		load data byte	X	0	0	1	Data byte will be transmitted; ACK will be received
B0H	Arbitration lost in SLA+R/W as master; Own SLA+R has been received, ACK has been returned	Load data byte or	X	0	0	0	Last data byte will be transmitted and ACK bit will be received
		load data byte	X	0	0	1	Data byte will be transmitted; ACK bit will be received
B8H	Data byte in S1DAT has been transmitted; ACK has been received	Load data byte or	X	0	0	0	Last data byte will be transmitted and ACK bit will be received
		load data byte	X	0	0	1	Data byte will be transmitted; ACK bit will be received
C0H	Data byte in S1DAT has been transmitted; NOT ACK has been received	No S1DAT action or	0	0	0	01	Switched to not addressed SLV mode; no recognition of own SLA or General call address
		no S1DAT action or	0	0	0	1	Switched to not addressed SLV mode; Own SLA will be recognized; General call address will be recognized if S1ADR.0 = logic 1
		no S1DAT action or	1	0	0	0	Switched to not addressed SLV mode; no recognition of own SLA or General call address. A START condition will be transmitted when the bus becomes free
		no S1DAT action	1	0	0	1	Switched to not addressed SLV mode; Own SLA will be recognized; General call address will be recognized if S1ADR.0 = logic 1. A START condition will be transmitted when the bus becomes free.
C8H	Last data byte in S1DAT has been transmitted (AA = 0); ACK has been received	No S1DAT action or	0	0	0	0	Switched to not addressed SLV mode; no recognition of own SLA or General call address
		no S1DAT action or	0	0	0	1	Switched to not addressed SLV mode; Own SLA will be recognized; General call address will be recognized if S1ADR.0 = logic 1
		no S1DAT action or	1	0	0	0	Switched to not addressed SLV mode; no recognition of own SLA or General call address. A START condition will be transmitted when the bus becomes free
		no S1DAT action	1	0	0	1	Switched to not addressed SLV mode; Own SLA will be recognized; General call address will be recognized if S1ADR.0 = logic 1. A START condition will be transmitted when the bus becomes free.

80C51 8-bit microcontroller
 8K/256 OTP, 8 channel 10 bit A/D, I²C, PWM,
 capture/compare, high I/O, low voltage (2.7 V to 5.5 V), low power

P87C552

Table 10. Miscellaneous States

STATUS CODE (S1STA)	STATUS OF THE I ² C BUS AND SIO1 HARDWARE	APPLICATION SOFTWARE RESPONSE					NEXT ACTION TAKEN BY SIO1 HARDWARE
		TO/FROM S1DAT	TO S1CON				
			STA	STO	SI	AA	
F8H	No relevant state information available; SI = 0	No S1DAT action	No S1CON action				Wait or proceed current transfer
00H	Bus error during MST or selected slave modes, due to an illegal START or STOP condition. State 00H can also occur when interference causes SIO1 to enter an undefined state.	No S1DAT action	0	1	0	X	Only the internal hardware is affected in the MST or addressed SLV modes. In all cases, the bus is released and SIO1 is switched to the not addressed SLV mode. STO is reset.

Slave Transmitter Mode: In the slave transmitter mode, a number of data bytes are transmitted to a master receiver (see Figure 42). Data transfer is initialized as in the slave receiver mode. When S1ADR and S1CON have been initialized, SIO1 waits until it is addressed by its own slave address followed by the data direction bit which must be “1” (R) for SIO1 to operate in the slave transmitter mode. After its own slave address and the R bit have been received, the serial interrupt flag (SI) is set and a valid status code can be read from S1STA. This status code is used to vector to an interrupt service routine, and the appropriate action to be taken for each of these status codes is detailed in Table 9. The slave transmitter mode may also be entered if arbitration is lost while SIO1 is in the master mode (see state B0H).

If the AA bit is reset during a transfer, SIO1 will transmit the last byte of the transfer and enter state C0H or C8H. SIO1 is switched to the not addressed slave mode and will ignore the master receiver if it continues the transfer. Thus the master receiver receives all 1s as serial data. While AA is reset, SIO1 does not respond to its own slave address or a general call address. However, the I²C bus is still monitored, and address recognition may be resumed at any time by setting AA. This means that the AA bit may be used to temporarily isolate SIO1 from the I²C bus.

Miscellaneous States: There are two S1STA codes that do not correspond to a defined SIO1 hardware state (see Table 10). These are discussed below.

S1STA = F8H:

This status code indicates that no relevant information is available because the serial interrupt flag, SI, is not yet set. This occurs between other states and when SIO1 is not involved in a serial transfer.

S1STA = 00H:

This status code indicates that a bus error has occurred during an SIO1 serial transfer. A bus error is caused when a START or STOP condition occurs at an illegal position in the format frame. Examples of such illegal positions are during the serial transfer of an address byte, a data byte, or an acknowledge bit. A bus error may also be caused when external interference disturbs the internal SIO1 signals. When a bus error occurs, SI is set. To recover from a bus error, the STO flag must be set and SI must be cleared. This causes SIO1 to enter the “not addressed” slave mode (a defined state) and to clear the STO flag (no other bits in S1CON are affected). The

SDA and SCL lines are released (a STOP condition is not transmitted).

Some Special Cases: The SIO1 hardware has facilities to handle the following special cases that may occur during a serial transfer:

Simultaneous Repeated START Conditions from Two Masters

A repeated START condition may be generated in the master transmitter or master receiver modes. A special case occurs if another master simultaneously generates a repeated START condition (see Figure 43). Until this occurs, arbitration is not lost by either master since they were both transmitting the same data.

If the SIO1 hardware detects a repeated START condition on the I²C bus before generating a repeated START condition itself, it will release the bus, and no interrupt request is generated. If another master frees the bus by generating a STOP condition, SIO1 will transmit a normal START condition (state 08H), and a retry of the total serial data transfer can commence.

DATA TRANSFER AFTER LOSS OF ARBITRATION

Arbitration may be lost in the master transmitter and master receiver modes (see Figure 35). Loss of arbitration is indicated by the following states in S1STA; 38H, 68H, 78H, and B0H (see Figures 39 and 40).

If the STA flag in S1CON is set by the routines which service these states, then, if the bus is free again, a START condition (state 08H) is transmitted without intervention by the CPU, and a retry of the total serial transfer can commence.

FORCED ACCESS TO THE I²C BUS

In some applications, it may be possible for an uncontrolled source to cause a bus hang-up. In such situations, the problem may be caused by interference, temporary interruption of the bus or a temporary short-circuit between SDA and SCL.

If an uncontrolled source generates a superfluous START or masks a STOP condition, then the I²C bus stays busy indefinitely. If the STA flag is set and bus access is not obtained within a reasonable amount of time, then a forced access to the I²C bus is possible. This is achieved by setting the STO flag while the STA flag is still set. No STOP condition is transmitted. The SIO1 hardware behaves as if a STOP condition was received and is able to transmit a START condition. The STO flag is cleared by hardware (see Figure 44).

80C51 8-bit microcontroller
 8K/256 OTP, 8 channel 10 bit A/D, I²C, PWM,
 capture/compare, high I/O, low voltage (2.7 V to 5.5 V), low power

P87C552

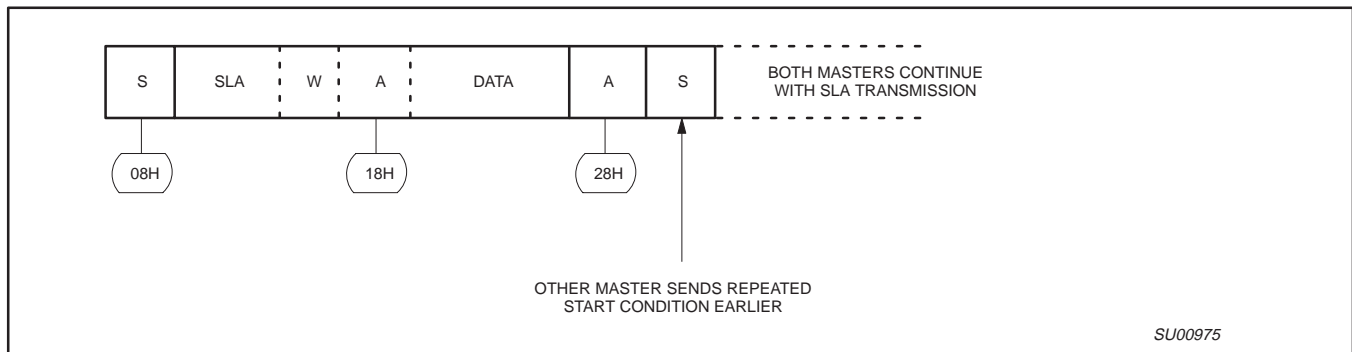


Figure 43. Simultaneous Repeated START Conditions from 2 Masters

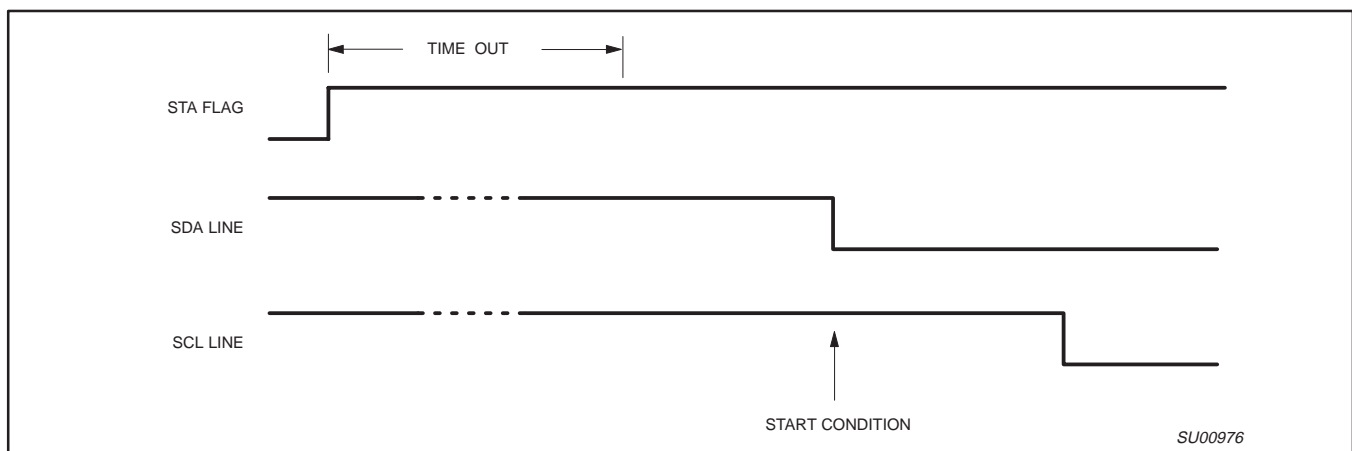


Figure 44. Forced Access to a Busy I²C Bus

I²C BUS OBSTRUCTED BY A LOW LEVEL ON SCL OR SDA
 An I²C bus hang-up occurs if SDA or SCL is pulled LOW by an uncontrolled source. If the SCL line is obstructed (pulled LOW) by a device on the bus, no further serial transfer is possible, and the SIO1 hardware cannot resolve this type of problem. When this occurs, the problem must be resolved by the device that is pulling the SCL bus line LOW.

If the SDA line is obstructed by another device on the bus (e.g., a slave device out of bit synchronization), the problem can be solved by transmitting additional clock pulses on the SCL line (see Figure 45). The SIO1 hardware transmits additional clock pulses when the STA flag is set, but no START condition can be generated because the SDA line is pulled LOW while the I²C bus is considered free. The SIO1 hardware attempts to generate a START condition after every two additional clock pulses on the SCL line. When the SDA line is eventually released, a normal START condition is transmitted, state 08H is entered, and the serial transfer continues.

If a forced bus access occurs or a repeated START condition is transmitted while SDA is obstructed (pulled LOW), the SIO1

hardware performs the same action as described above. In each case, state 08H is entered after a successful START condition is transmitted and normal serial transfer continues. Note that the CPU is not involved in solving these bus hang-up problems.

BUS ERROR

A bus error occurs when a START or STOP condition is present at an illegal position in the format frame. Examples of illegal positions are during the serial transfer of an address byte, a data or an acknowledge bit.

The SIO1 hardware only reacts to a bus error when it is involved in a serial transfer either as a master or an addressed slave. When a bus error is detected, SIO1 immediately switches to the not addressed slave mode, releases the SDA and SCL lines, sets the interrupt flag, and loads the status register with 00H. This status code may be used to vector to a service routine which either attempts the aborted serial transfer again or simply recovers from the error condition as shown in Table 10.

80C51 8-bit microcontroller
 8K/256 OTP, 8 channel 10 bit A/D, I²C, PWM,
 capture/compare, high I/O, low voltage (2.7 V to 5.5 V), low power

P87C552

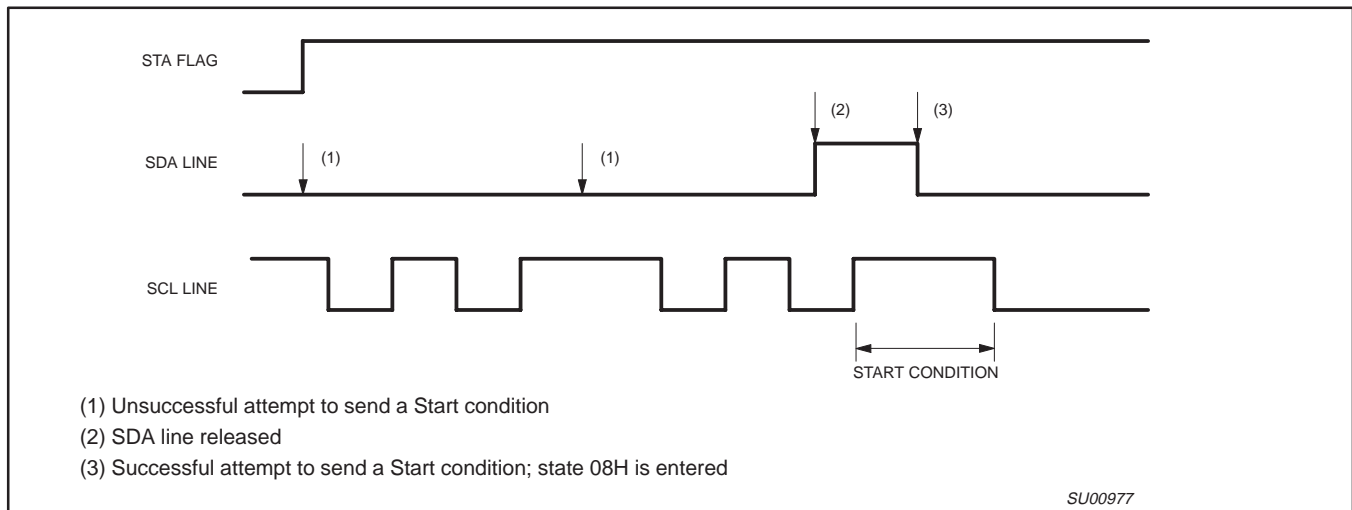


Figure 45. Recovering from a Bus Obstruction Caused by a Low Level on SDA

Software Examples of SIO1 Service Routines: This section consists of a software example for:

- Initialization of SIO1 after a RESET
- Entering the SIO1 interrupt routine
- The 26 state service routines for the
 - Master transmitter mode
 - Master receiver mode
 - Slave receiver mode
 - Slave transmitter mode

INITIALIZATION

In the initialization routine, SIO1 is enabled for both master and slave modes. For each mode, a number of bytes of internal data RAM are allocated to the SIO to act as either a transmission or reception buffer. In this example, 8 bytes of internal data RAM are reserved for different purposes. The data memory map is shown in Figure 46. The initialization routine performs the following functions:

- S1ADR is loaded with the part's own slave address and the general call bit (GC)
- P1.6 and P1.7 bit latches are loaded with logic 1s
- RAM location HADD is loaded with the high-order address byte of the service routines
- The SIO1 interrupt enable and interrupt priority bits are set
- The slave mode is enabled by simultaneously setting the ENS1 and AA bits in S1CON and the serial clock frequency (for master modes) is defined by loading CR0 and CR1 in S1CON. The master routines must be started in the main program.

The SIO1 hardware now begins checking the I²C bus for its own slave address and general call. If the general call or the own slave address is detected, an interrupt is requested and S1STA is loaded with the appropriate state information. The following text describes a fast method of branching to the appropriate service routine.

SIO1 INTERRUPT ROUTINE

When the SIO1 interrupt is entered, the PSW is first pushed on the stack. Then S1STA and HADD (loaded with the high-order address byte of the 26 service routines by the initialization routine) are pushed on to the stack. S1STA contains a status code which is the lower byte of one of the 26 service routines. The next instruction is RET, which is the return from subroutine instruction. When this instruction is executed, the high and low order address bytes are popped from stack and loaded into the program counter.

The next instruction to be executed is the first instruction of the state service routine. Seven bytes of program code (which execute in eight machine cycles) are required to branch to one of the 26 state service routines.

SI	PUSH	PSW	Save PSW
	PUSH	S1STA	Push status code (low order address byte)
	PUSH	HADD	Push high order address byte
	RET		Jump to state service routine

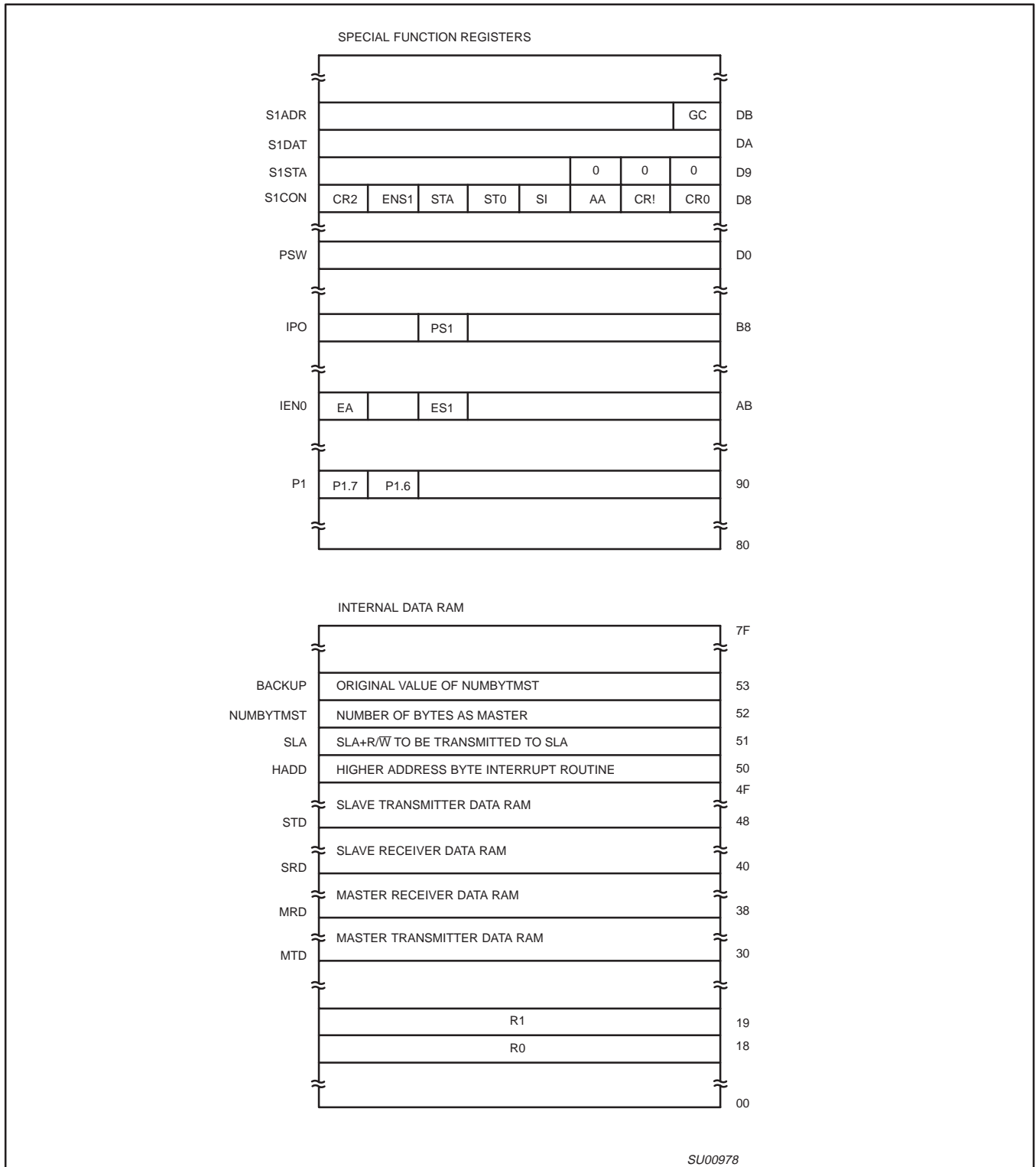
The state service routines are located in a 256-byte page of program memory. The location of this page is defined in the initialization routine. The page can be located anywhere in program memory by loading data RAM register HADD with the page number. Page 01 is chosen in this example, and the service routines are located between addresses 0100H and 01FFH.

THE STATE SERVICE ROUTINES

The state service routines are located 8 bytes from each other. Eight bytes of code are sufficient for most of the service routines. A few of the routines require more than 8 bytes and have to jump to other locations to obtain more bytes of code. Each state routine is part of the SIO1 interrupt routine and handles one of the 26 states. It ends with a RETI instruction which causes a return to the main program.

80C51 8-bit microcontroller
 8K/256 OTP, 8 channel 10 bit A/D, I²C, PWM,
 capture/compare, high I/O, low voltage (2.7 V to 5.5 V), low power

P87C552



SU00978

Figure 46. SIO1 Data Memory Map

80C51 8-bit microcontroller
8K/256 OTP, 8 channel 10 bit A/D, I²C, PWM,
capture/compare, high I/O, low voltage (2.7 V to 5.5 V), low power

P87C552

MASTER TRANSMITTER AND MASTER RECEIVER MODES

The master mode is entered in the main program. To enter the master transmitter mode, the main program must first load the internal data RAM with the slave address, data bytes, and the number of data bytes to be transmitted. To enter the master receiver mode, the main program must first load the internal data RAM with the slave address and the number of data bytes to be received. The R/W bit determines whether SIO1 operates in the master transmitter or master receiver mode.

Master mode operation commences when the STA bit in S1CION is set by the SETB instruction and data transfer is controlled by the master state service routines in accordance with Table 6, Table 7, Figure 39, and Figure 40. In the example below, 4 bytes are transferred. There is no repeated START condition. In the event of lost arbitration, the transfer is restarted when the bus becomes free. If a bus error occurs, the I²C bus is released and SIO1 enters the not selected slave receiver mode. If a slave device returns a not acknowledge, a STOP condition is generated.

A repeated START condition can be included in the serial transfer if the STA flag is set instead of the STO flag in the state service routines vectored to by status codes 28H and 58H. Additional software must be written to determine which data is transferred after a repeated START condition.

SLAVE TRANSMITTER AND SLAVE RECEIVER MODES

After initialization, SIO1 continually tests the I²C bus and branches to one of the slave state service routines if it detects its own slave address or the general call address (see Table 8, Table 9, Figure 41, and Figure 42). If arbitration was lost while in the master mode, the master mode is restarted after the current transfer. If a bus error occurs, the I²C bus is released and SIO1 enters the not selected slave receiver mode.

In the slave receiver mode, a maximum of 8 received data bytes can be stored in the internal data RAM. A maximum of 8 bytes ensures that other RAM locations are not overwritten if a master sends more bytes. If more than 8 bytes are transmitted, a not acknowledge is returned, and SIO1 enters the not addressed slave receiver mode. A maximum of one received data byte can be stored in the internal data RAM after a general call address is detected. If more than one byte is transmitted, a not acknowledge is returned and SIO1 enters the not addressed slave receiver mode.

In the slave transmitter mode, data to be transmitted is obtained from the same locations in the internal data RAM that were previously loaded by the main program. After a not acknowledge has been returned by a master receiver device, SIO1 enters the not addressed slave mode.

ADAPTING THE SOFTWARE FOR DIFFERENT APPLICATIONS

The following software example shows the typical structure of the interrupt routine including the 26 state service routines and may be used as a base for user applications. If one or more of the four modes are not used, the associated state service routines may be removed but, care should be taken that a deleted routine can never be invoked.

This example does not include any time-out routines. In the slave modes, time-out routines are not very useful since, in these modes, SIO1 behaves essentially as a passive device. In the master modes, an internal timer may be used to cause a time-out if a serial transfer is not complete after a defined period of time. This time period is defined by the system connected to the I²C bus.

80C51 8-bit microcontroller
 8K/256 OTP, 8 channel 10 bit A/D, I²C, PWM,
 capture/compare, high I/O, low voltage (2.7 V to 5.5 V), low power

P87C552

```

!*****
! SIO1 EQUATE LIST
!*****
! LOCATIONS OF THE SIO1 SPECIAL FUNCTION REGISTERS
!*****
00D8      S1CON    -0xd8
00D9      S1STA    -0xd9
00DA      S1DAT    -0xda
00DB      S1ADR    -0xdb

00A8      IEN0     -0xa8
00B8      IP0      -02b8

!*****
! BIT LOCATIONS
!*****
00DD      STA      -0xdd          ! STA bit in S1CON
00BD      SIO1HP   -0xbd          ! IP0, SIO1 Priority bit

!*****
! IMMEDIATE DATA TO WRITE INTO REGISTER S1CON
!*****
00D5      ENS1_NOTSTA_STO_NOTSI_AA_CR0    -0xd5    ! Generates STOP
                                                ! (CR0 = 100kHz)
00C5      ENS1_NOTSTA_NOTSTO_NOTSI_AA_CR0 -0xc5    ! Releases BUS and
                                                ! ACK
00C1      ENS1_NOTSTA_NOTSTO_NOTSI_NOTAA_CR0 -0xc1    ! Releases BUS and
                                                ! NOT ACK
00E5      ENS1_STA_NOTSTO_NOTSI_AA_CR0    -0xe5    ! Releases BUS and
                                                ! set STA

!*****
! GENERAL IMMEDIATE DATA
!*****
0031      OWNSLA   -0x31          ! Own SLA+General Call
                                                ! must be written into S1ADR
00A0      ENSIO1   -0xa0          ! EA+ES1, enable SIO1 interrupt
                                                ! must be written into IEN0
0001      PAG1     -0x01          ! select PAG1 as HADD
00C0      SLAW     -0xc0          ! SLA+W to be transmitted
00C1      SLAR     -0xc1          ! SLA+R to be transmitted
0018      SELRB3   -0x18          ! Select Register Bank 3

!*****
! LOCATIONS IN DATA RAM
!*****
0030      MTD      -0x30          ! MST/TRX/DATA base address
0038      MRD      -0x38          ! MST/REC/DATA base address
0040      SRD      -0x40          ! SLV/REC/DATA base address
0048      STD      -0x48          ! SLV/TRX/DATA base address

0053      BACKUP    -0x53          ! Backup from NUMBYTMST
                                                ! To restore NUMBYTMST in case
                                                ! of an Arbitration Loss.
0052      NUMBYTMST -0x52          ! Number of bytes to transmit
                                                ! or receive as MST.
0051      SLA      -0x51          ! Contains SLA+R/W to be
                                                ! transmitted.
0050      HADD     -0x50          ! High Address byte for STATE 0
                                                ! till STATE 25.
    
```

80C51 8-bit microcontroller
 8K/256 OTP, 8 channel 10 bit A/D, I²C, PWM,
 capture/compare, high I/O, low voltage (2.7 V to 5.5 V), low power

P87C552

```

!*****
! INITIALIZATION ROUTINE
! Example to initialize IIC Interface as slave receiver or slave transmitter and
! start a MASTER TRANSMIT or a MASTER RECEIVE function. 4 bytes will be transmitted or received.
!*****
.sect      strt
.base     0x00
0000 4100                                ajmp  INIT                                ! RESET

.sect      initial
.base     0x200
0200 75DB31  INIT:  mov  S1ADR,#OWNSLA                ! Load own SLA + enable
                                           ! general call recognition
0203 D296      setb P1(6)                          ! P1.6 High level.
0205 D297      setb P1(7)                          ! P1.7 High level.
0207 755001    mov  HADD,#PAG1
020A 43A8A0    orl  IENO,#ENSI01                       ! Enable SI01 interrupt
020D C2BD      clr  SI01HP                          ! SI01 interrupt low priority
020F 75D8C5    mov  S1CON, #ENS1_NOTSTA_NOTSTO_NOTSI_AA_CR0
                                           ! Initialize SLV funct.

!*****

!-----
! START MASTER TRANSMIT FUNCTION
!-----
0212 755204    mov  NUMBYTMST,#0x4                       ! Transmit 4 bytes.
0215 7551C0    mov  SLA,#SLAW                          ! SLA+W, Transmit funct.
0218 D2DD      setb STA                               ! set STA in S1CON

!-----
! START MASTER RECEIVE FUNCTION
!-----
021A 755204    mov  NUMBYTMST,#0x4                       ! Receive 4 bytes.
021D 7551C1    mov  SLA,#SLAR                          ! SLA+R, Receive funct.
0220 D2DD      setb STA                               ! set STA in S1CON

!*****
! SI01 INTERRUPT ROUTINE
!*****
.sect      intvec
.base     0x00                                ! SI01 interrupt vector

! S1STA and HADD are pushed onto the stack.
! They serve as return address for the RET instruction.
! The RET instruction sets the Program Counter to address HADD,
! S1STA and jumps to the right subroutine.
002B C0D0      push psw                                ! save psw
002D C0D9      push S1STA
002F C050      push HADD
0031 22        ret                                ! JMP to address HADD,S1STA.

!-----
! STATE   : 00, Bus error.
! ACTION  : Enter not addressed SLV mode and release bus. STO reset.
!-----
.sect      st0
.base     0x100
0100 75D8D5    mov  S1CON,#ENS1_NOTSTA_STO_NOTSI_AA_CR0 ! clr SI
                                           ! set STO,AA
0103 D0D0      pop  psw
0105 32        reti

```

80C51 8-bit microcontroller
 8K/256 OTP, 8 channel 10 bit A/D, I²C, PWM,
 capture/compare, high I/O, low voltage (2.7 V to 5.5 V), low power

P87C552

```

!*****
!*****
! MASTER STATE SERVICE ROUTINES
!*****
! State 08 and State 10 are both for MST/TRX and MST/REC.
! The R/W bit decides whether the next state is within
! MST/TRX mode or within MST/REC mode.
!*****

!-----
! STATE   : 08, A, START condition has been transmitted.
! ACTION  : SLA+R/W are transmitted, ACK bit is received.
!-----
.sect     mts8
.base    0x108

0108     8551DA                mov     S1DAT,SLA                ! Load SLA+R/W
010B     75D8C5                mov     S1CON,#ENS1_NOTSTA_NOTSTO_NOTSI_AA_CR0
                                           ! clr SI

010E     01A0                  ajmp   INITBASE1

!-----
! STATE   : 10, A repeated START condition has been
!          transmitted.
! ACTION  : SLA+R/W are transmitted, ACK bit is received.
!-----
.sect     mts10
.base    0x110

0110     8551DA                mov     S1DAT,SLA                ! Load SLA+R/W
0113     75D8C5                mov     S1CON,#ENS1_NOTSTA_NOTSTO_NOTSI_AA_CR0
                                           ! clr SI

010E     01A0                  ajmp   INITBASE1

.sect     ibase1
.base    0xa0
INITBASE1:
00A0     75D018                mov     psw,#SELRB3
00A3     7930                  mov     r1,#MTD
00A5     7838                  mov     r0,#MRD
00A7     855253                mov     BACKUP,NUMBYTMST        ! Save initial value
00AA     D0D0                  pop     psw
00AC     32                    reti

!*****
!*****
! MASTER TRANSMITTER STATE SERVICE ROUTINES
!*****

!-----
! STATE   : 18, Previous state was STATE 8 or STATE 10, SLA+W have been transmitted,
!          ACK has been received.
! ACTION  : First DATA is transmitted, ACK bit is received.
!-----
.sect     mts18
.base    0x118

0118     75D018                mov     psw,#SELRB3
011B     87DA                  mov     S1DAT,@r1
011D     01B5                  ajmp   CON
    
```


80C51 8-bit microcontroller
 8K/256 OTP, 8 channel 10 bit A/D, I²C, PWM,
 capture/compare, high I/O, low voltage (2.7 V to 5.5 V), low power

P87C552

```

!-----
! STATE   : 20, SLA+W have been transmitted, NOT ACK has been received
! ACTION  : Transmit STOP condition.
!-----
.sect     mts20
.base    0x120

0120     75D8D5                mov     S1CON,#ENS1_NOTSTA_STO_NOTSI_AA_CR0
                                           ! set STO, clr SI
0123     D0D0                 pop     psw
0125     32                   reti

!-----
! STATE   : 28, DATA of S1DAT have been transmitted, ACK received.
! ACTION  : If Transmitted DATA is last DATA then transmit a STOP condition,
!           else transmit next DATA.
!-----
.sect     mts28
.base    0x128

0128     D55285              djnz   NUMBYTMST,NOTLDAT1           ! JMP if NOT last DATA
012B     75D8D5              mov     S1CON,#ENS1_NOTSTA_STO_NOTSI_AA_CR0
                                           ! clr SI, set AA
012E     01B9                ajmp   RETmt

.sect     mts28sb
.base    0x0b0
NOTLDAT1:
00B0     75D018              mov     psw,#SELRB3
00B3     87DA                mov     S1DAT,@r1
00B5     75D8C5              CON:   mov     S1CON,#ENS1_NOTSTA_NOTSTO_NOTSI_AA_CR0
                                           ! clr SI, set AA
00B8     09                  inc     r1
00B9     D0D0              RETmt  :   pop     psw
00BB     32                  reti

!-----
! STATE   : 30, DATA of S1DAT have been transmitted, NOT ACK received.
! ACTION  : Transmit a STOP condition.
!-----
.sect     mts30
.base    0x130

0130     75D8D5              mov     S1CON,#ENS1_NOTSTA_STO_NOTSI_AA_CR0
                                           ! set STO, clr SI
0133     D0D0              pop     psw
0135     32                  reti

!-----
! STATE   : 38, Arbitration lost in SLA+W or DATA.
! ACTION  : Bus is released, not addressed SLV mode is entered.
!           A new START condition is transmitted when the IIC bus is free again.
!-----
.sect     mts38
.base    0x138

0138     75D8E5              mov     S1CON,#ENS1_STA_NOTSTO_NOTSI_AA_CR0
013B     855352              mov     NUMBYTMST,BACKUP
013E     01B9              ajmp   RETmt

```

80C51 8-bit microcontroller
 8K/256 OTP, 8 channel 10 bit A/D, I²C, PWM,
 capture/compare, high I/O, low voltage (2.7 V to 5.5 V), low power

P87C552

```

!*****
!*****
! MASTER RECEIVER STATE SERVICE ROUTINES
!*****
!*****

!-----
! STATE   : 40, Previous state was STATE 08 or STATE 10,
!         : SLA+R have been transmitted, ACK received.
! ACTION  : DATA will be received, ACK returned.
!-----
.sect     mts40
.base    0x140

0140  75D8C5                mov  S1CON,#ENS1_NOTSTA_NOTSTO_NOTSI_AA_CR0
                                ! clr STA, STO, SI set AA
0143  D0D0                  pop  psw
      32                    reti

!-----
! STATE   : 48, SLA+R have been transmitted, NOT ACK received.
! ACTION  : STOP condition will be generated.
!-----
.sect     mts48
.base    0x148

0148  75D8D5  STOP:       mov  S1CON,#ENS1_NOTSTA_STO_NOTSI_AA_CR0
                                ! set STO, clr SI
014B  D0D0                  pop  psw
014D  32                    reti

!-----
! STATE   : 50, DATA have been received, ACK returned.
! ACTION  : Read DATA of S1DAT.
!         : DATA will be received, if it is last DATA
!         : then NOT ACK will be returned else ACK will be returned.
!-----
.sect     mrs50
.base    0x150

0150  75D018                mov  psw,#SELRB3
0153  A6DA                  mov  @r0,S1DAT                ! Read received DATA
0155  01C0                  ajmp REC1

.sect     mrs50s
.base    0xc0

00C0  D55205  REC1:       djnz  NUMBYTMST,NOTLDAT2
00C3  75D8C1                mov  S1CON,#ENS1_NOTSTA_NOTSTO_NOTSI_NOTAA_CR0
                                ! clr SI,AA
00C6  8003                  sjmp RETmr
00C8  75D8C5  NOTLDAT2:  mov  S1CON,#ENS1_NOTSTA_NOTSTO_NOTSI_AA_CR0
                                ! clr SI, set AA
00CB  08                    RETmr:  inc  r0
00CC  D0D0                  pop  psw
00CE  32                    reti

!-----
! STATE   : 58, DATA have been received, NOT ACK returned.
! ACTION  : Read DATA of S1DAT and generate a STOP condition.
!-----
.sect     mrs58
.base    0x158

0158  75D018                mov  psw,#SELRB3
015B  A6DA                  mov  @R0,S1DAT
015D  80E9                  sjmp  STOP

```

80C51 8-bit microcontroller
 8K/256 OTP, 8 channel 10 bit A/D, I²C, PWM,
 capture/compare, high I/O, low voltage (2.7 V to 5.5 V), low power

P87C552

```

!*****
!*****
! SLAVE RECEIVER STATE SERVICE ROUTINES
!*****
!*****

!-----
! STATE   : 60, Own SLA+W have been received, ACK returned.
! ACTION  : DATA will be received and ACK returned.
!-----

.sect     srs60
.base    0x160
0160     75D8C5          mov     S1CON,#ENS1_NOTSTA_NOTSTO_NOTSI_AA_CR0
                                           ! clr SI, set AA
0163     75D018          mov     psw,#SELRB3
0166     01D0           ajmp   INITSRD

.sect     insrd
.base    0xd0
00D0     7840          INITSRD:  mov     r0,#SRD
00D2     7908          mov     r1,#8
00D4     D0D0          pop     psw
00D6     32           reti

!-----
! STATE   : 68, Arbitration lost in SLA and R/W as MST
!           Own SLA+W have been received, ACK returned
! ACTION  : DATA will be received and ACK returned.
!           STA is set to restart MST mode after the bus is free again.
!-----

.sect     srs68
.base    0x168
0168     75D8E5          mov     S1CON,#ENS1_STA_NOTSTO_NOTSI_AA_CR0
016B     75D018          mov     psw,#SELRB3
016E     01D0           ajmp   INITSRD

!-----
! STATE   : 70, General call has been received, ACK returned.
! ACTION  : DATA will be received and ACK returned.
!-----

.sect     srs70
.base    0x170
0170     75D8C5          mov     S1CON,#ENS1_NOTSTA_NOTSTO_NOTSI_AA_CR0
                                           ! clr SI, set AA
0173     75D018          mov     psw,#SELRB3
0176     01D0           ajmp   initsrd
                                           ! Initialize SRD counter

!-----
! STATE   : 78, Arbitration lost in SLA+R/W as MST.
!           General call has been received, ACK returned.
! ACTION  : DATA will be received and ACK returned.
!           STA is set to restart MST mode after the bus is free again.
!-----

.sect     srs78
.base    0x178
0178     75D8E5          mov     S1CON,#ENS1_STA_NOTSTO_NOTSI_AA_CR0
017B     75D018          mov     psw,#SELRB3
017E     01D0           ajmp   INITSRD
                                           ! Initialize SRD counter
    
```

80C51 8-bit microcontroller
 8K/256 OTP, 8 channel 10 bit A/D, I²C, PWM,
 capture/compare, high I/O, low voltage (2.7 V to 5.5 V), low power

P87C552

```

!-----
! STATE   : 80, Previously addressed with own SLA. DATA received, ACK returned.
! ACTION  : Read DATA.
!          IF received DATA was the last
!          THEN superfluous DATA will be received and NOT ACK returned
!          ELSE next DATA will be received and ACK returned.
!-----
.sect     srs80
.base    0x180

0180     75D018                mov   psw,#SELRB3
0183     A6DA                  mov   @r0,S1DAT                ! Read received DATA
0185     01D8                  ajmp  REC2

.sect     srs80s
.base    0xd8

00D8     D906                 REC2:   djnz  r1,NOTLDAT3
00DA     75D8C1              LDAT:   mov   S1CON,#ENS1_NOTSTA_NOTSTO_NOTSI_NOTAA_CR0
                                           ! clr SI,AA

00DD     D0D0                pop    psw
00DF     32                  reti
00E0     75D8C5              NOTLDAT3: mov  S1CON,#ENS1_NOTSTA_NOTSTO_NOTSI_AA_CR0
                                           ! clr SI, set AA

00E3     08                  inc    r0
00E4     D0D0              RETsr:  pop    psw
00E6     32                  reti

!-----
! STATE   : 88, Previously addressed with own SLA. DATA received NOT ACK returned.
! ACTION  : No save of DATA, Enter NOT addressed SLV mode.
!          Recognition of own SLA. General call recognized, if S1ADR. 0-1.
!-----
.sect     srs88
.base    0x188

0188     75D8C5                mov   S1CON,#ENS1_NOTSTA_NOTSTO_NOTSI_AA_CR0
                                           ! clr SI, set AA
018B     01E4                  ajmp  RETsr

!-----
! STATE   : 90, Previously addressed with general call.
!          DATA has been received, ACK has been returned.
! ACTION  : Read DATA.
!          After General call only one byte will be received with ACK
!          the second DATA will be received with NOT ACK.
!          DATA will be received and NOT ACK returned.
!-----
.sect     srs90
.base    0x190

0190     75D018                mov   psw,#SELRB3
0193     A6DA                  mov   @r0,S1DAT                ! Read received DATA
0195     01DA                  ajmp  LDAT

!-----
! STATE   : 98, Previously addressed with general call.
!          DATA has been received, NOT ACK has been returned.
! ACTION  : No save of DATA, Enter NOT addressed SLV mode.
!          Recognition of own SLA. General call recognized, if S1ADR. 0-1.
!-----
.sect     srs98
.base    0x198

0198     75D8C5                mov   S1CON,#ENS1_NOTSTA_NOTSTO_NOTSI_AA_CR0
                                           ! clr SI, set AA
019B     D0D0                pop    psw
019D     32                  reti

```

80C51 8-bit microcontroller
 8K/256 OTP, 8 channel 10 bit A/D, I²C, PWM,
 capture/compare, high I/O, low voltage (2.7 V to 5.5 V), low power

P87C552

```

!-----
! STATE   : A0, A STOP condition or repeated START has been received,
!         : while still addressed as SLV/REC or SLV/TRX.
! ACTION  : No save of DATA, Enter NOT addressed SLV mode.
!         : Recognition of own SLA. General call recognized, if S1ADR. 0-1.
!-----
.sect     srsA0
.base    0x1a0

01A0     75D8C5                mov     S1CON,#ENS1_NOTSTA_NOTSTO_NOTSI_AA_CR0
                                           ! clr SI, set AA
01A3     D0D0                  pop     psw
01A5     32                     reti

!-----
! *****
! *****
! SLAVE TRANSMITTER STATE SERVICE ROUTINES
! *****
! *****
!-----
! STATE   : A8, Own SLA+R received, ACK returned.
! ACTION  : DATA will be transmitted, A bit received.
!-----
.sect     stsa8
.base    0x1a8

01A8     8548DA                mov     S1DAT,STD                ! load DATA in S1DAT
01AB     75D8C5                mov     S1CON,#ENS1_NOTSTA_NOTSTO_NOTSI_AA_CR0
                                           ! clr SI, set AA
01AE     01E8                  ajmp   INITBASE2

.sect     ibase2
.base    0xe8
INITBASE2:
00E8     75D018                mov     psw,#SELRB3
00EB     7948                  mov     r1, #STD
00ED     09                    inc     r1
00EE     D0D0                  pop     psw
00F0     32                     reti

!-----
! STATE   : B0, Arbitration lost in SLA and R/W as MST. Own SLA+R received, ACK returned.
! ACTION  : DATA will be transmitted, A bit received.
!         : STA is set to restart MST mode after the bus is free again.
!-----
.sect     stsb0
.base    0x1b0

01B0     8548DA                mov     S1DAT,STD                ! load DATA in S1DAT
01B3     75D8E5                mov     S1CON,#ENS1_STA_NOTSTO_NOTSI_AA_CR0
01B6     01E8                  ajmp   INITBASE2

```

80C51 8-bit microcontroller
 8K/256 OTP, 8 channel 10 bit A/D, I²C, PWM,
 capture/compare, high I/O, low voltage (2.7 V to 5.5 V), low power

P87C552

```

!-----
! STATE   : B8, DATA has been transmitted, ACK received.
! ACTION  : DATA will be transmitted, ACK bit is received.
!-----
.sect     stsb8
.base    0x1b8
01B8     75D018          mov   psw,#SELRB3
01BB     87DA           mov   S1DAT,@r1
01BD     01F8          ajmp  SCON

.sect     scn
.base    0xf8
00F8     75D8C5        SCON:   mov   S1CON,#ENS1_NOTSTA_NOTSTO_NOTSI_AA_CR0
                                ! clr SI, set AA
00FB     09            inc   r1
00FC     D0D0          pop   psw
00FE     32            reti

!-----
! STATE   : C0, DATA has been transmitted, NOT ACK received.
! ACTION  : Enter not addressed SLV mode.
!-----
.sect     stsc0
.base    0x1c0
01C0     75D8C5        mov   S1CON,#ENS1_NOTSTA_NOTSTO_NOTSI_AA_CR0
                                ! clr SI, set AA
01C3     D0D0          pop   psw
01C5     32            reti

!-----
! STATE   : C8, Last DATA has been transmitted (AA=0), ACK received.
! ACTION  : Enter not addressed SLV mode.
!-----
.sect     stsc8
.base    0x1c8
01C8     75D8C5        mov   S1CON,#ENS1_NOTSTA_NOTSTO_NOTSI_AA_CR0
                                ! clr SI, set AA
01CB     D0D0          pop   psw
01CD     32            reti

!*****
!*****
! END OF SI01 INTERRUPT ROUTINE
!*****
!*****

```

80C51 8-bit microcontroller
 8K/256 OTP, 8 channel 10 bit A/D, I²C, PWM,
 capture/compare, high I/O, low voltage (2.7 V to 5.5 V), low power

P87C552

ABSOLUTE MAXIMUM RATINGS^{1, 2, 3}

PARAMETER	RATING	UNIT
Storage temperature range	-65 to +150	°C
Voltage on $\overline{E\bar{A}}/V_{PP}$ to V_{SS}	-0.5 to +13	V
Voltage on any other pin to V_{SS}	-0.5 to +6.5	V
Input, output DC current on any single I/O pin	5.0	mA
Power dissipation (based on package heat transfer limitations, not device power consumption)	1.0	W

NOTES:

- Stresses above those listed under Absolute Maximum Ratings may cause permanent damage to the device. This is a stress rating only and functional operation of the device at these or any conditions other than those described in the AC and DC Electrical Characteristics section of this specification is not implied.
- This product includes circuitry specifically designed for the protection of its internal devices from the damaging effects of excessive static charge. Nonetheless, it is suggested that conventional precautions be taken to avoid applying greater than the rated maxima.
- Parameters are valid over operating temperature range unless otherwise specified. All voltages are with respect to V_{SS} unless otherwise noted.

DEVICE SPECIFICATIONS

TYPE	SUPPLY VOLTAGE (V)		FREQUENCY (MHz)		TEMPERATURE RANGE (°C)
	MIN	MAX	MIN	MAX	
P87C552 SBxx versions	2.7	5.5	0	16	0 to +70
P87C552 SFxx versions	2.7	5.5	0	16	-40 to +85

80C51 8-bit microcontroller
 8K/256 OTP, 8 channel 10 bit A/D, I²C, PWM,
 capture/compare, high I/O, low voltage (2.7 V to 5.5 V), low power

P87C552

DC ELECTRICAL CHARACTERISTICS $V_{SS}, AV_{SS} = 0V$

SYMBOL	PARAMETER	TEST CONDITIONS	LIMITS		UNIT
			MIN	MAX	
I _{DD}	Supply current operating	See notes 1 and 2 f _{OSC} = 16MHz		16	mA
I _{ID}	Idle mode	See notes 1 and 3 f _{OSC} = 16MHz		4	mA
I _{PD}	Power-down current	See notes 1 and 4; 2V < V _{PD} < V _{DD} max		50	μA
Inputs					
V _{IL}	Input low voltage, except \overline{EA} , P1.6, P1.7		-0.5	0.2V _{DD} -0.1	V
V _{IL1}	Input low voltage to \overline{EA}		-0.5	0.2V _{DD} -0.3	V
V _{IL2}	Input low voltage to P1.6/SCL, P1.7/SDA ⁵		-0.5	0.3V _{DD}	V
V _{IH}	Input high voltage, except XTAL1, RST		0.2V _{DD} +0.9	V _{DD} +0.5	V
V _{IH1}	Input high voltage, XTAL1, RST		0.7V _{DD}	V _{DD} +0.5	V
V _{IH2}	Input high voltage, P1.6/SCL, P1.7/SDA ⁵		0.7V _{DD}	6.0	V
I _{IL}	Logical 0 input current, ports 1, 2, 3, 4, except P1.6, P1.7	V _{IN} = 0.45V		-50	μA
I _{TL}	Logical 1-to-0 transition current, ports 1, 2, 3, 4, except P1.6, P1.7	See note 6		-650	μA
±I _{IL1}	Input leakage current, port 0, \overline{EA} , STADC, \overline{EW}	0.45V < V _I < V _{DD}		10	μA
±I _{IL2}	Input leakage current, P1.6/SCL, P1.7/SDA	0V < V _I < 6V 0V < V _{DD} < 5.5V		10	μA
±I _{IL3}	Input leakage current, port 5	0.45V < V _I < V _{DD}		1	μA
±I _{IL4}	Input leakage current, ports 1, 2, 3, 4 in high impedance mode	0.45V < V _{in} < V _{DD}		10	μA
Outputs					
V _{OL}	Output low voltage, ports 1, 2, 3, 4, except P1.6, P1.7	I _{OL} = 1.6mA ⁷		0.4	V
V _{OL1}	Output low voltage, port 0, ALE, \overline{PSEN} , PWM0, PWM1	I _{OL} = 3.2mA ⁷		0.4	V
V _{OL2}	Output low voltage, P1.6/SCL, P1.7/SDA	I _{OL} = 3.0mA ⁷		0.4	V
V _{OH}	Output high voltage, ports 1, 2, 3, 4, except P1.6/SCL, P1.7/SDA	V _{CC} = 2.7V I _{OH} = -20μA	V _{CC} - 0.7		V
		V _{CC} = 4.5V I _{OH} = -30μA	V _{CC} - 0.7		V
V _{OH1}	Output high voltage (port 0 in external bus mode, ALE, \overline{PSEN} , PWM0, PWM1) ⁸	V _{CC} = 2.7V I _{OH} = -3.2mA	V _{CC} - 0.7		V
V _{OH2}	Output high voltage (RST)	-I _{OH} = 400μA	2.4		V
		-I _{OH} = 120μA	0.8V _{DD}		V
R _{RST}	Internal reset pull-down resistor		40	225	kΩ
C _{IO}	Pin capacitance	Test freq = 1MHz, T _{amb} = 25°C		10	pF
Analog Inputs					
AV _{DD}	Analog supply voltage ⁹	AV _{DD} = V _{DD} ±0.2V	2.7	5.5	V
AI _{DD}	Analog supply current operating	Port 5 = 0 to AV _{DD}		1.2	mA
AI _{ID}	Idle mode			50	μA
AI _{PD}	Power-down mode	2V < AV _{PD} < AV _{DD} max		50	μA

80C51 8-bit microcontroller
 8K/256 OTP, 8 channel 10 bit A/D, I²C, PWM,
 capture/compare, high I/O, low voltage (2.7 V to 5.5 V), low power

P87C552

DC ELECTRICAL CHARACTERISTICS (Continued)

SYMBOL	PARAMETER	TEST CONDITIONS	LIMITS		UNIT
			MIN	MAX	
Analog Inputs (Continued)					
AV _{IN}	Analog input voltage		AV _{SS} -0.2	AV _{DD} +0.2	V
AV _{REF}	Reference voltage: AV _{REF-} AV _{REF+}		AV _{SS} -0.2	AV _{DD} +0.2	V V
R _{REF}	Resistance between AV _{REF+} and AV _{REF-}		10	50	kΩ
C _{IA}	Analog input capacitance			15	pF
t _{ADS}	Sampling time (10 bit mode)			8t _{CY}	μs
t _{ADS8}	Sampling time (8 bit mode)			5t _{CY}	μs
t _{ADC}	Conversion time (including sampling time, 10 bit mode)			50t _{CY}	μs
t _{ADC8}	Conversion time (including sampling time, 8 bit mode)			24t _{CY}	μs
DL _e	Differential non-linearity ^{10, 11, 12}			±1	LSB
IL _e	Integral non-linearity ^{10, 13} (10 bit mode)			±2	LSB
IL _{e8}	Integral non-linearity (8 bit mode)			±1	LSB
OS _e	Offset error ^{10, 14} (10 bit mode)			±2	LSB
OS _{e8}	Offset error (8 bit mode)			±1	LSB
G _e	Gain error ^{10, 15}			±0.4	%
A _e	Absolute voltage error ^{10, 16}			±3	LSB
M _{CTC}	Channel to channel matching			±1	LSB
C _t	Crosstalk between inputs of port 5 ^{17, 18}	0–100kHz		-60	dB

NOTES FOR DC ELECTRICAL CHARACTERISTICS:

- See Figures 57 through 60 for I_{DD} test conditions, and Figure 56. Active mode: I_{DD} (max) = (0.9 x FREQ. + 1.1) mA; Idle Mode: I_{ID} (max) = (0.18 x FREQ. + 1.01) mA.
- The operating supply current is measured with all output pins disconnected; XTAL1 driven with t_r = t_f = 10ns; V_{IL} = V_{SS} + 0.5V; V_{IH} = V_{DD} - 0.5V; XTAL2 not connected; E_A = R_{ST} = Port 0 = E_W = V_{DD}; STADC = V_{SS}.
- The idle mode supply current is measured with all output pins disconnected; XTAL1 driven with t_r = t_f = 10ns; V_{IL} = V_{SS} + 0.5V; V_{IH} = V_{DD} - 0.5V; XTAL2 not connected; Port 0 = E_W = V_{DD}; E_A = R_{ST} = STADC = V_{SS}.
- The power-down current is measured with all output pins disconnected; XTAL2 not connected; Port 0 = E_W = V_{DD}; E_A = R_{ST} = STADC = XTAL1 = V_{SS}.
- The input threshold voltage of P1.6 and P1.7 (SIO1) meets the I²C specification, so an input voltage below 1.5V will be recognized as a logic 0 while an input voltage above 3.0V will be recognized as a logic 1.
- Pins of ports 1 (except P1.6, P1.7), 2, 3, and 4 source a transition current when they are being externally driven from 1 to 0. The transition current reaches its maximum value when V_{IN} is approximately 2V.
- Capacitive loading on ports 0 and 2 may cause spurious noise to be superimposed on the V_{OL}s of ALE and ports 1 and 3. The noise is due to external bus capacitance discharging into the port 0 and port 2 pins when these pins make 1-to-0 transitions during bus operations. In the worst cases (capacitive loading > 100pF), the noise pulse on the ALE pin may exceed 0.8V. In such cases, it may be desirable to qualify ALE with a Schmitt Trigger, or use an address latch with a Schmitt Trigger STROBE input. I_{OL} can exceed these conditions provided that no single output sinks more than 5mA and no more than two outputs exceed the test conditions.
- Capacitive loading on ports 0 and 2 may cause the V_{OH} on ALE and PSEN to momentarily fall below the 0.9V_{DD} specification when the address bits are stabilizing.
- The following condition must not be exceeded: V_{DD} - 0.2V < AV_{DD} < V_{DD} + 0.2V.
- Conditions: AV_{REF-} = 0V; AV_{DD} = 5.0V. Measurement by continuous conversion of AV_{IN} = -20mV to 5.12V in steps of 0.5mV, deriving parameters from collected conversion results of ADC. AV_{REF+} = 4.977V. ADC is monotonic with no missing codes.
- The differential non-linearity (DL_e) is the difference between the actual step width and the ideal step width. (See Figure 47.)
- The ADC is monotonic; there are no missing codes.
- The integral non-linearity (IL_e) is the peak difference between the center of the steps of the actual and the ideal transfer curve after appropriate adjustment of gain and offset error. (See Figure 47.)
- The offset error (OS_e) is the absolute difference between the straight line which fits the actual transfer curve, and a straight line which fits the ideal transfer curve. (See Figure 47.)
- The gain error (G_e) is the relative difference in percent between the straight line fitting the actual transfer curve (after removing offset error), and the straight line which fits the ideal transfer curve. Gain error is constant at every point on the transfer curve. (See Figure 47.)
- The absolute voltage error (A_e) is the maximum difference between the center of the steps of the actual transfer curve of the non-calibrated ADC and the ideal transfer curve.
- This should be considered when both analog and digital signals are simultaneously input to port 5.
- This parameter is guaranteed by design and characterized, but is not production tested.

80C51 8-bit microcontroller
 8K/256 OTP, 8 channel 10 bit A/D, I²C, PWM,
 capture/compare, high I/O, low voltage (2.7 V to 5.5 V), low power

P87C552

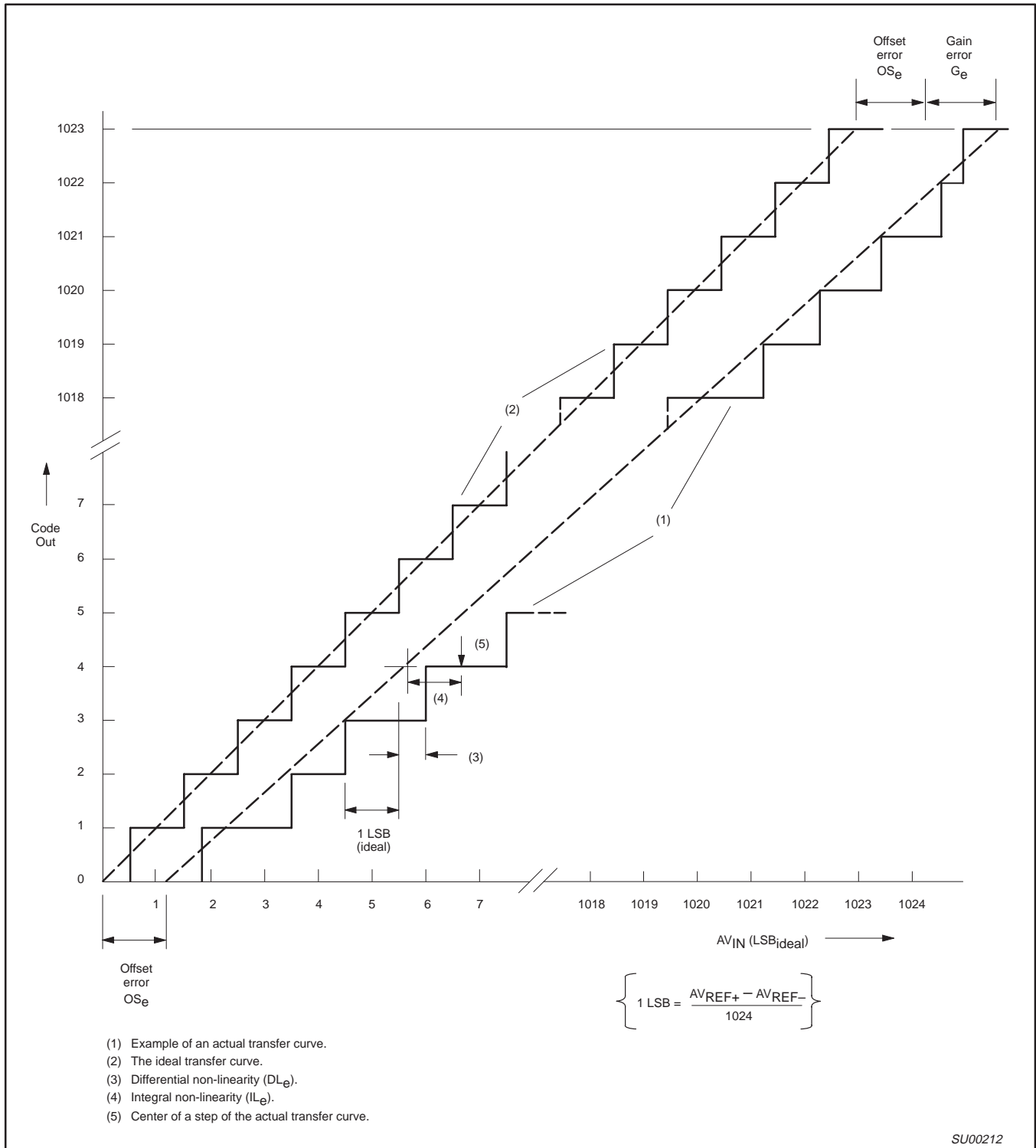


Figure 47. ADC Conversion Characteristic

80C51 8-bit microcontroller
 8K/256 OTP, 8 channel 10 bit A/D, I²C, PWM,
 capture/compare, high I/O, low voltage (2.7 V to 5.5 V), low power

P87C552

AC ELECTRICAL CHARACTERISTICS

SYMBOL	FIGURE	PARAMETER	16MHz CLOCK		VARIABLE CLOCK		UNIT
			MIN	MAX	MIN	MAX	
1/t _{CLCL}	48	Oscillator frequency ⁵ Speed version : S			3.5	16	MHz
t _{LHLL}	48	ALE pulse width	85		2t _{CLCL} -40		ns
t _{AVLL}	48	Address valid to ALE low	22		t _{CLCL} -40		ns
t _{LLAX}	48	Address hold after ALE low	32		t _{CLCL} -30		ns
t _{LLIV}	48	ALE low to valid instruction in		150		4t _{CLCL} -100	ns
t _{LLPL}	48	ALE low to PSEN low	32		t _{CLCL} -30		ns
t _{PLPH}	48	PSEN pulse width	142		3t _{CLCL} -45		ns
t _{PLIV}	48	PSEN low to valid instruction in		82		3t _{CLCL} -105	ns
t _{PXIX}	48	Input instruction hold after PSEN	0		0		ns
t _{PXIZ}	48	Input instruction float after PSEN		37		t _{CLCL} -25	ns
t _{AVIV} ⁵	48	Address to valid instruction in		207		5t _{CLCL} -105	ns
t _{PLAZ}	48	PSEN low to address float		10		10	ns
Data Memory							
t _{RLRH}	49, 50	RD pulse width	275		6t _{CLCL} -100		ns
t _{WLWH}	49, 50	WR pulse width	275		6t _{CLCL} -100		ns
t _{RLDV}	49, 50	RD low to valid data in		147		5t _{CLCL} -165	ns
t _{RHDX}	49, 50	Data hold after RD	0		0		ns
t _{RHDZ}	49, 50	Data float after RD		65		2t _{CLCL} -60	ns
t _{LLDV}	49, 50	ALE low to valid data in		350		8t _{CLCL} -150	ns
t _{AVDV}	49, 50	Address to valid data in		397		9t _{CLCL} -165	ns
t _{LLWL}	49, 50	ALE low to RD or WR low	137	239	3t _{CLCL} -50	3t _{CLCL} +50	ns
t _{AVWL}	49, 50	Address valid to WR low or RD low	122		4t _{CLCL} -130		ns
t _{QVWX}	49, 50	Data valid to WR transition	13		t _{CLCL} -50		ns
t _{WHQX}	49, 50	Data hold after WR	13		t _{CLCL} -50		ns
t _{QVWH}	50	Data valid to WR high	287		7t _{CLCL} -150		ns
t _{RLAZ}	49, 50	RD low to address float		0		0	ns
t _{WHLH}	49, 50	RD or WR high to ALE high	23	103	t _{CLCL} -40	t _{CLCL} +40	ns
External Clock							
t _{CHCX}	51	High time	20		20	t _{CLCL} -t _{CLCX}	ns
t _{CLCX}	51	Low time	20		20	t _{CLCL} -t _{CHCX}	ns
t _{CLCH}	51	Rise time		20		20	ns
t _{CHCL}	51	Fall time		20		20	ns
Shift Register							
t _{XLXL}	52	Serial port clock cycle time	750		12t _{CLCL}		ns
t _{QVXH}	52	Output data setup to clock rising edge	492		10t _{CLCL} -133		ns
t _{XHQX}	52	Output data hold after clock rising edge	8		2t _{CLCL} -117		ns
t _{XHDX}	52	Input data hold after clock rising edge	0		0		ns
t _{XHDV}	52	Clock rising edge to input data valid		492		10t _{CLCL} -133	ns

NOTES:

- Parameters are valid over operating temperature range unless otherwise specified.
- Load capacitance for port 0, ALE, and PSEN = 100pF, load capacitance for all other outputs = 80pF.
- Interfacing the microcontroller to devices with float times up to 45ns is permitted. This limited bus contention will not cause damage to Port 0 drivers.
- See application note AN457 for external memory interface.
- Parts are guaranteed to operate down to 0Hz.

80C51 8-bit microcontroller
 8K/256 OTP, 8 channel 10 bit A/D, I²C, PWM,
 capture/compare, high I/O, low voltage (2.7 V to 5.5 V), low power

P87C552

AC ELECTRICAL CHARACTERISTICS (Continued)

SYMBOL	PARAMETER	INPUT	OUTPUT
I²C Interface (Refer to Figure 55)⁵			
t _{HD;STA}	START condition hold time	≥ 14 t _{CLCL}	> 4.0μs ¹
t _{LOW}	SCL low time	≥ 16 t _{CLCL}	> 4.7μs ¹
t _{HIGH}	SCL high time	≥ 14 t _{CLCL}	> 4.0μs ¹
t _{RC}	SCL rise time	≤ 1μs	– ²
t _{FC}	SCL fall time	≤ 0.3μs	< 0.3μs ³
t _{SU;DAT1}	Data set-up time	≥ 250ns	> 20 t _{CLCL} – t _{RD}
t _{SU;DAT2}	SDA set-up time (before rep. START cond.)	≥ 250ns	> 1μs ¹
t _{SU;DAT3}	SDA set-up time (before STOP cond.)	≥ 250ns	> 8 t _{CLCL}
t _{HD;DAT}	Data hold time	≥ 0ns	> 8 t _{CLCL} – t _{FC}
t _{SU;STA}	Repeated START set-up time	≥ 14 t _{CLCL}	> 4.7μs ¹
t _{SU;STO}	STOP condition set-up time	≥ 14 t _{CLCL}	> 4.0μs ¹
t _{BUF}	Bus free time	≥ 14 t _{CLCL}	> 4.7μs ¹
t _{RD}	SDA rise time	≤ 1μs	– ²
t _{FD}	SDA fall time	≤ 0.3μs	< 0.3μs ³

NOTES:

- At 100 kbit/s. At other bit rates this value is inversely proportional to the bit-rate of 100 kbit/s.
- Determined by the external bus-line capacitance and the external bus-line pull-resistor, this must be < 1μs.
- Spikes on the SDA and SCL lines with a duration of less than 3 t_{CLCL} will be filtered out. Maximum capacitance on bus-lines SDA and SCL = 400pF.
- t_{CLCL} = 1/f_{OSC} = one oscillator clock period at pin XTAL1. For 62ns (42s) < t_{CLCL} < 285ns (16MHz > f_{OSC} > 3.5MHz) the SI01 interface meets the I²C-bus specification for bit-rates up to 100 kbit/s.
- These values are guaranteed but not 100% production tested.

80C51 8-bit microcontroller
 8K/256 OTP, 8 channel 10 bit A/D, I²C, PWM,
 capture/compare, high I/O, low voltage (2.7 V to 5.5 V), low power

P87C552

EXPLANATION OF THE AC SYMBOLS

Each timing symbol has five characters. The first character is always 't' (= time). The other characters, depending on their positions, indicate the name of a signal or the logical status of that signal. The designations are:

- A – Address
- C – Clock
- D – Input data
- H – Logic level high
- I – Instruction (program memory contents)
- L – Logic level low, or ALE
- P – PSEN

- Q – Output data
- R – RD signal
- t – Time
- V – Valid
- W – WR signal
- X – No longer a valid logic level
- Z – Float

Examples: t_{AVLL} = Time for address valid to ALE low.
 t_{LLPL} = Time for ALE low to PSEN low.

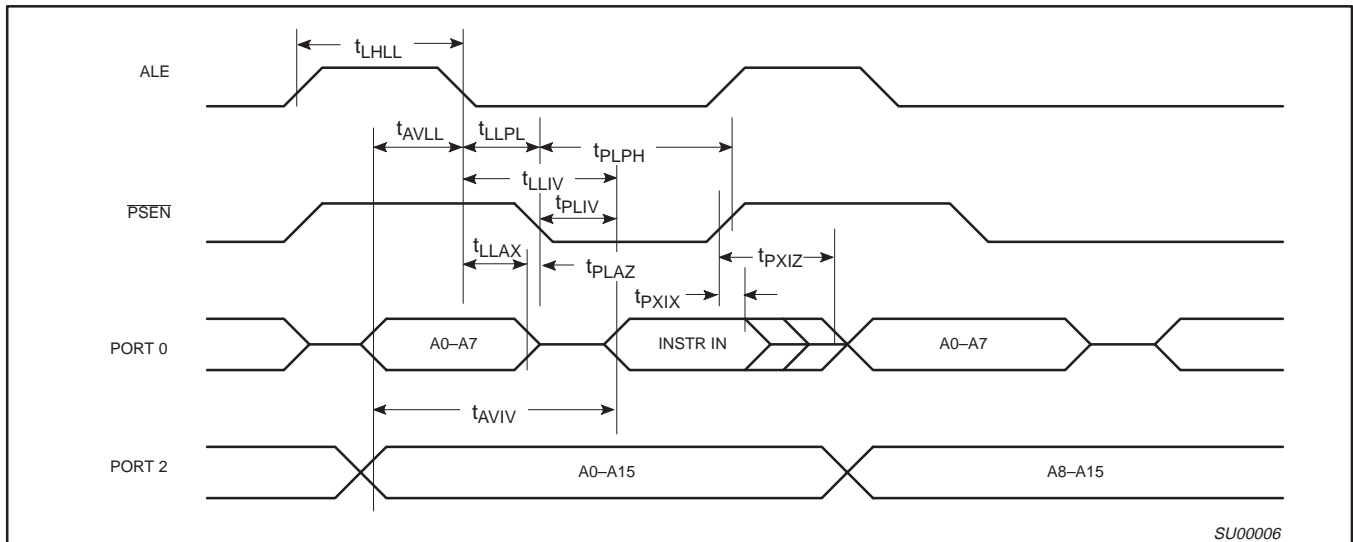


Figure 48. External Program Memory Read Cycle

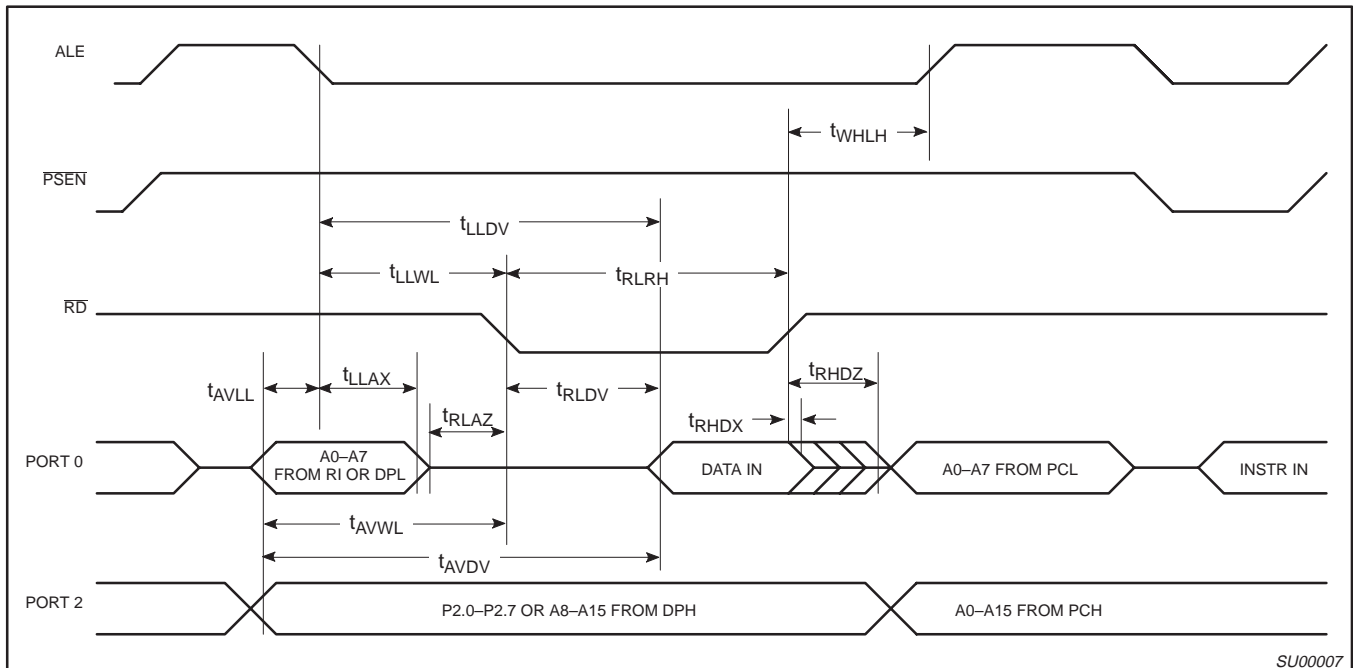


Figure 49. External Data Memory Read Cycle

80C51 8-bit microcontroller
 8K/256 OTP, 8 channel 10 bit A/D, I²C, PWM,
 capture/compare, high I/O, low voltage (2.7 V to 5.5 V), low power

P87C552

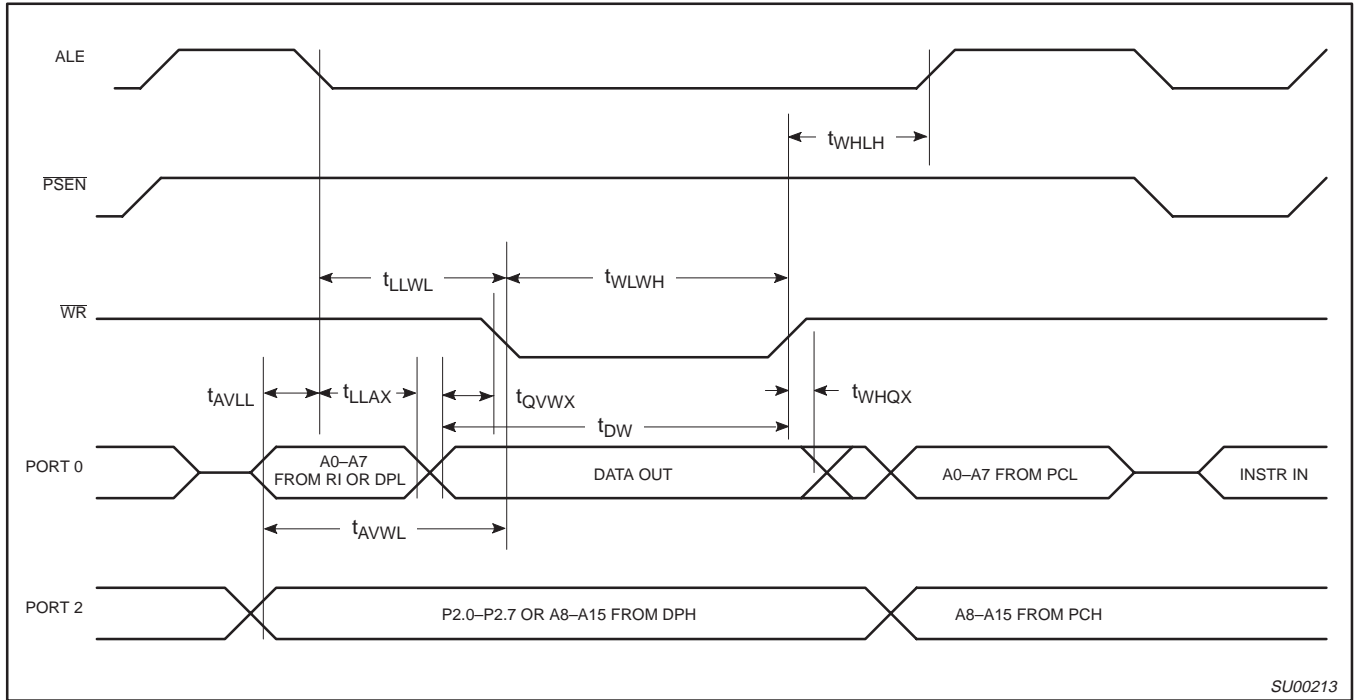


Figure 50. External Data Memory Write Cycle

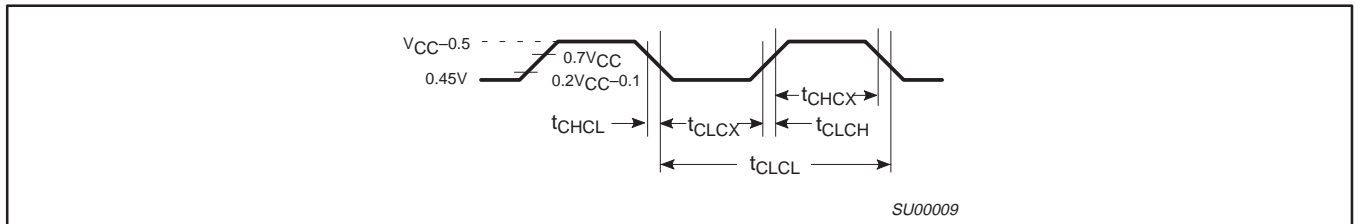


Figure 51. External Clock Drive XTAL1

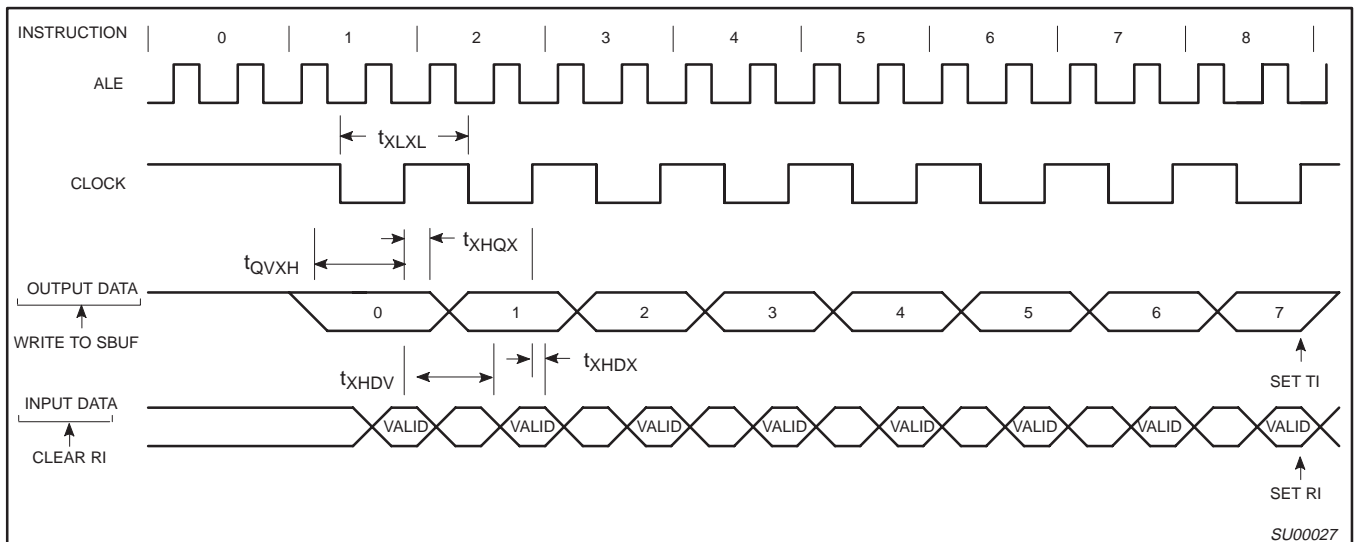


Figure 52. Shift Register Mode Timing

80C51 8-bit microcontroller
 8K/256 OTP, 8 channel 10 bit A/D, I²C, PWM,
 capture/compare, high I/O, low voltage (2.7 V to 5.5 V), low power

P87C552

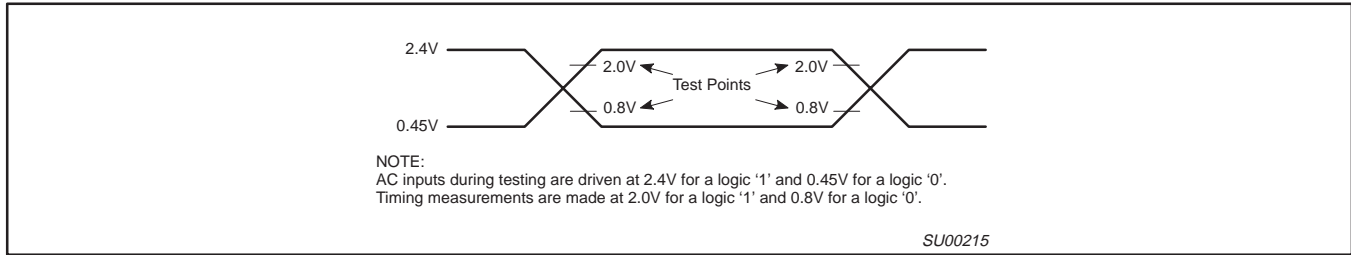


Figure 53. AC Testing Input/Output

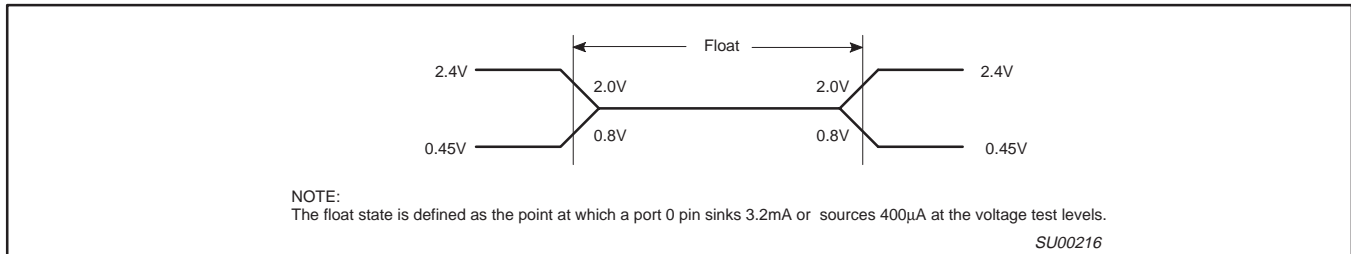


Figure 54. AC Testing Input, Float Waveform

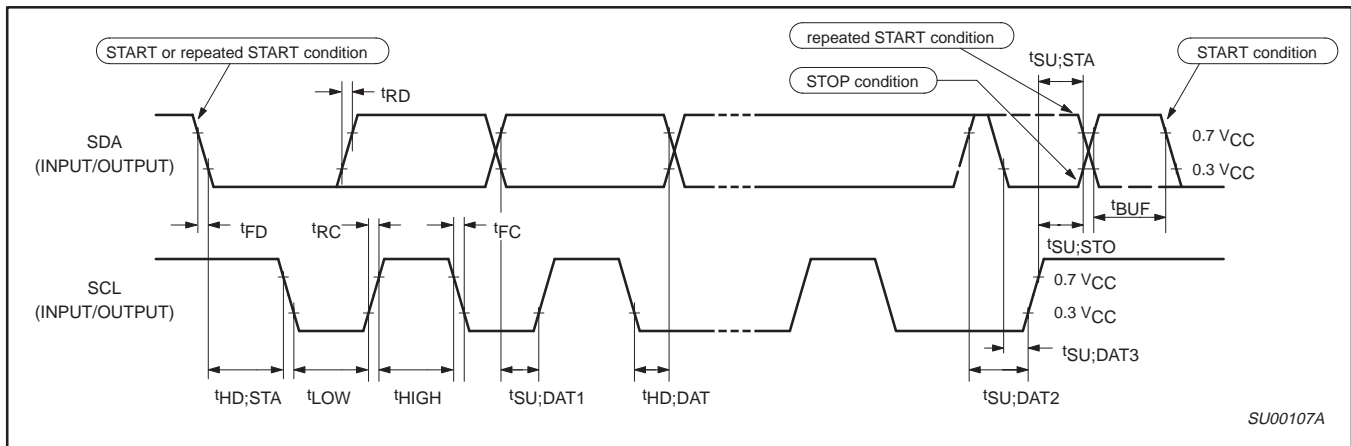


Figure 55. Timing SIO1 (I²C) Interface

80C51 8-bit microcontroller
 8K/256 OTP, 8 channel 10 bit A/D, I²C, PWM,
 capture/compare, high I/O, low voltage (2.7 V to 5.5 V), low power

P87C552

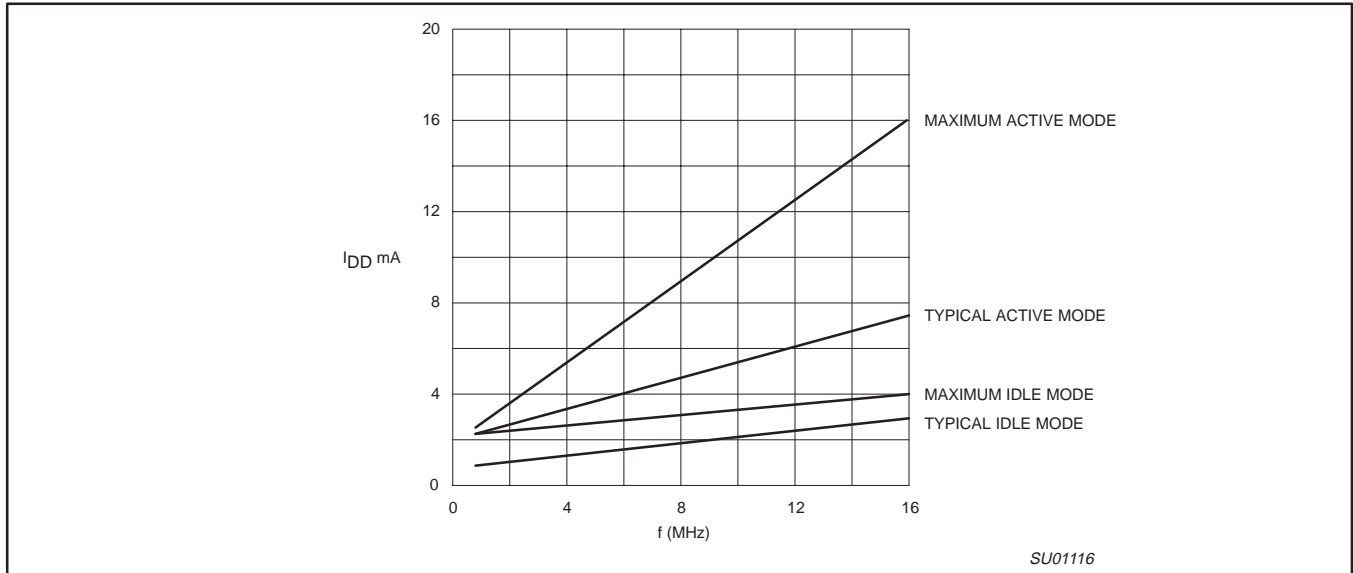


Figure 56. 16MHz Version Supply Current (I_{DD}) as a Function of Frequency at XTAL1 (f_{osc})

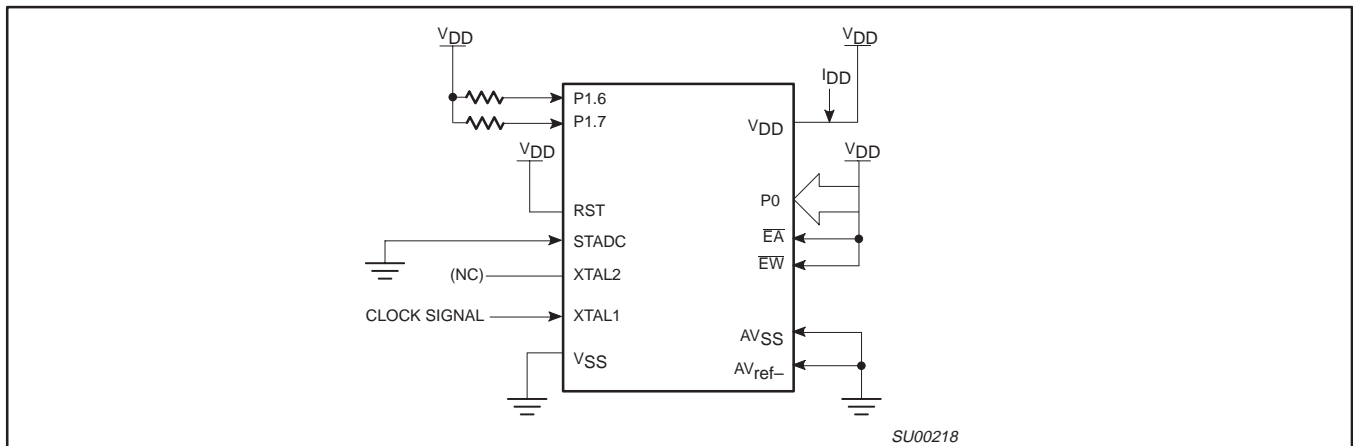


Figure 57. I_{DD} Test Condition, Active Mode
 All other pins are disconnected¹

1. Active Mode:
 - a. The following pins must be forced to V_{DD} : \overline{EA} , RST, Port 0, and \overline{EW} .
 - b. The following pins must be forced to V_{SS} : STADC, AV_{SS} , and AV_{ref-} .
 - c. Ports 1.6 and 1.7 should be connected to V_{DD} through resistors of sufficiently high value such that the sink current into these pins cannot exceed the I_{OL1} spec of these pins.
 - d. The following pins must be disconnected: XTAL2 and all pins not specified above.

80C51 8-bit microcontroller
 8K/256 OTP, 8 channel 10 bit A/D, I²C, PWM,
 capture/compare, high I/O, low voltage (2.7 V to 5.5 V), low power

P87C552

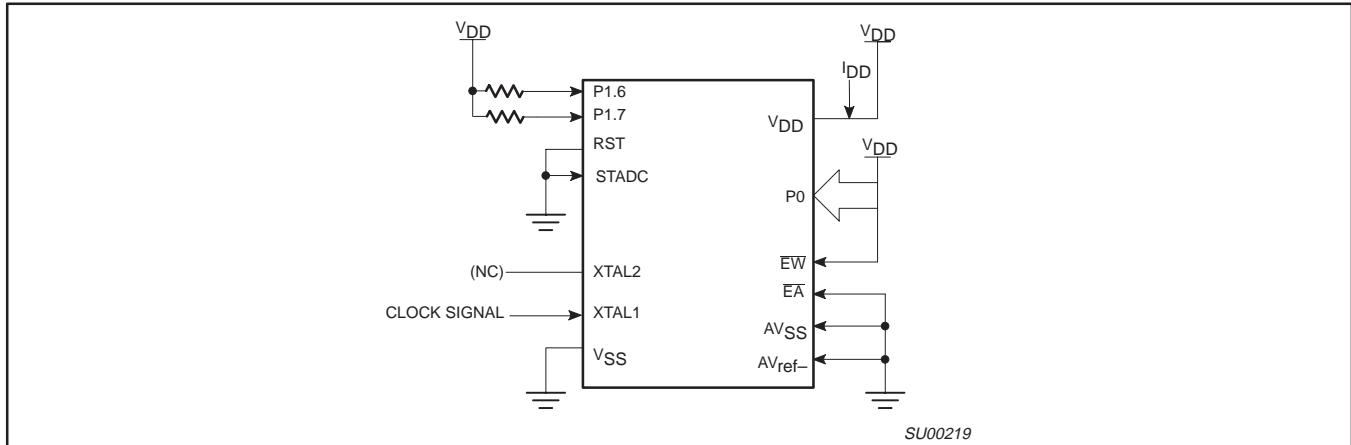


Figure 58. I_{DD} Test Condition, Idle Mode
 All other pins are disconnected²

2. Idle Mode:
 - a. The following pins must be forced to V_{DD}: Port 0 and \overline{EW} .
 - b. The following pins must be forced to V_{SS}: RST, STADC, AV_{SS}, AV_{ref-}, and \overline{EA} .
 - c. Ports 1.6 and 1.7 should be connected to V_{DD} through resistors of sufficiently high value such that the sink current into these pins cannot exceed the I_{OL1} spec of these pins. These pins must not have logic 0 written to them prior to this measurement.
 - d. The following pins must be disconnected: XTAL2 and all pins not specified above.

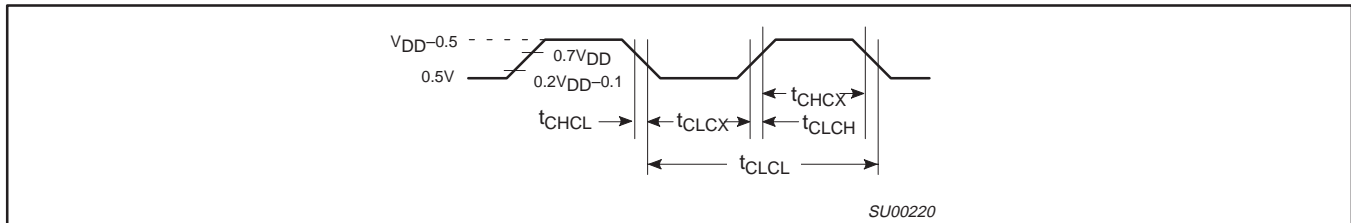


Figure 59. Clock Signal Waveform for I_{DD} Tests in Active and Idle Modes
 $t_{CLCH} = t_{CHCL} = 5\text{ns}$

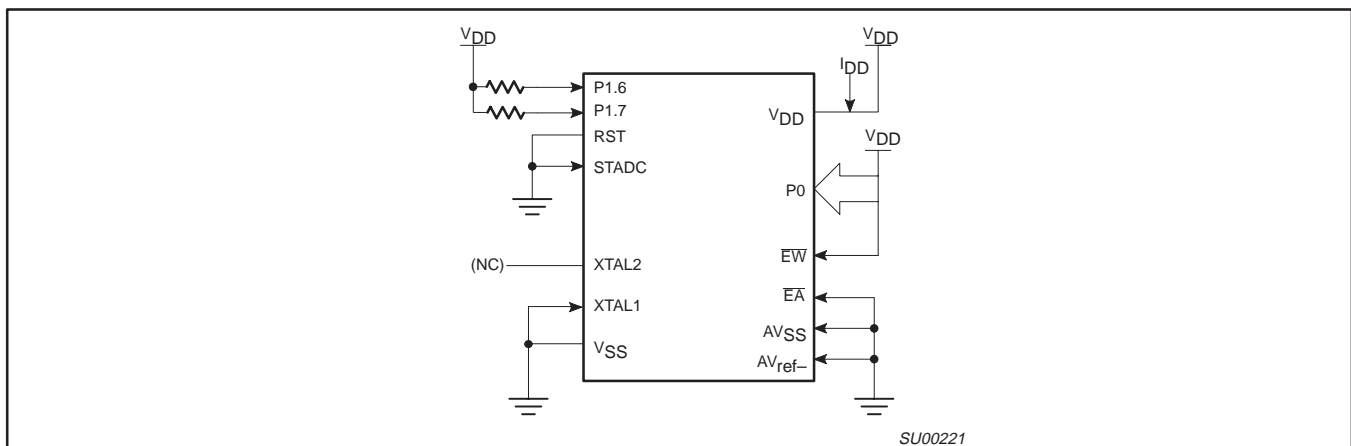


Figure 60. I_{DD} Test Condition, Power Down Mode
 All other pins are disconnected. V_{DD} = 2V to 5.5V³

3. Power Down Mode:
 - a. The following pins must be forced to V_{DD}: Port 0 and \overline{EW} .
 - b. The following pins must be forced to V_{SS}: RST, STADC, XTAL1, AV_{SS}, AV_{ref-}, and \overline{EA} .
 - c. Ports 1.6 and 1.7 should be connected to V_{DD} through resistors of sufficiently high value such that the sink current into these pins cannot exceed the I_{OL1} spec of these pins. These pins must not have logic 0 written to them prior to this measurement.
 - d. The following pins must be disconnected: XTAL2 and all pins not specified above.

80C51 8-bit microcontroller
 8K/256 OTP, 8 channel 10 bit A/D, I²C, PWM,
 capture/compare, high I/O, low voltage (2.7 V to 5.5 V), low power

P87C552

EPROM CHARACTERISTICS

The 87C552 contains three signature bytes that can be read and used by an EPROM programming system to identify the device. The signature bytes identify the device as an 87C552 manufactured by Philips:

(030H) = 15H indicates manufactured by Philips Components
 (031H) = 94H indicates 87C552
 (60H) = 01H

Program Verification

If security bits 2 or 3 have not been programmed, the on-chip program memory can be read out for program verification.

If the encryption table has been programmed, the data presented at port 0 will be the exclusive NOR of the program byte with one of the encryption bytes. The user will have to know the encryption table contents in order to correctly decode the verification data. The encryption table itself cannot be read out.

Security Bits

With none of the security bits programmed the code in the program memory can be verified. If the encryption table is programmed, the code will be encrypted when verified. When only security bit 1 (see Table 11) is programmed, MOVC instructions executed from external program memory are disabled from fetching code bytes from the internal memory, \overline{EA} is latched on Reset and all further programming of the EPROM is disabled. When security bits 1 and 2 are programmed, in addition to the above, verify mode is disabled.

When all three security bits are programmed, all of the conditions above apply and all external program memory execution is disabled.

Table 11. Program Security Bits for EPROM Devices

PROGRAM LOCK BITS ^{1, 2}				PROTECTION DESCRIPTION
	SB1	SB2	SB3	
1	U	U	U	No Program Security features enabled. (Code verify will still be encrypted by the Encryption Array if programmed.)
2	P	U	U	MOVC instructions executed from external program memory are disabled from fetching code bytes from internal memory, \overline{EA} is sampled and latched on Reset, and further programming of the EPROM is disabled.
3	P	P	U	Same as 2, also verify is disabled.
4	P	P	P	Same as 3, external execution is disabled.

NOTES:

1. P – programmed. U – unprogrammed.
2. Any other combination of the security bits is not defined.

80C51 8-bit microcontroller
8K/256 OTP, 8 channel 10 bit A/D, I²C, PWM,
capture/compare, high I/O, low voltage (2.7 V to 5.5 V), low power

P87C552

REVISION HISTORY

Rev	Date	Description
_3	20030325	Product data (9397 750 11302); ECN 853-2410 29338 dated 2003 Jan 07 Modifications: <ul style="list-style-type: none">• Corrected EPROM Characteristics
_2	19990330	Preliminary data (9397 750 05504)

80C51 8-bit microcontroller
 8K/256 OTP, 8 channel 10 bit A/D, I²C, PWM,
 capture/compare, high I/O, low voltage (2.7 V to 5.5 V), low power

P87C552



Purchase of Philips I²C components conveys a license under the Philips' I²C patent to use the components in the I²C system provided the system conforms to the I²C specifications defined by Philips. This specification can be ordered using the code 9398 393 40011.

Data sheet status

Level	Data sheet status ^[1]	Product status ^[2] [3]	Definitions
I	Objective data	Development	This data sheet contains data from the objective specification for product development. Philips Semiconductors reserves the right to change the specification in any manner without notice.
II	Preliminary data	Qualification	This data sheet contains data from the preliminary specification. Supplementary data will be published at a later date. Philips Semiconductors reserves the right to change the specification without notice, in order to improve the design and supply the best possible product.
III	Product data	Production	This data sheet contains data from the product specification. Philips Semiconductors reserves the right to make changes at any time in order to improve the design, manufacturing and supply. Relevant changes will be communicated via a Customer Product/Process Change Notification (CPCN).

[1] Please consult the most recently issued data sheet before initiating or completing a design.

[2] The product status of the device(s) described in this data sheet may have changed since this data sheet was published. The latest information is available on the Internet at URL <http://www.semiconductors.philips.com>.

[3] For data sheets describing multiple type numbers, the highest-level product status determines the data sheet status.

Definitions

Short-form specification — The data in a short-form specification is extracted from a full data sheet with the same type number and title. For detailed information see the relevant data sheet or data handbook.

Limiting values definition — Limiting values given are in accordance with the Absolute Maximum Rating System (IEC 60134). Stress above one or more of the limiting values may cause permanent damage to the device. These are stress ratings only and operation of the device at these or at any other conditions above those given in the Characteristics sections of the specification is not implied. Exposure to limiting values for extended periods may affect device reliability.

Application information — Applications that are described herein for any of these products are for illustrative purposes only. Philips Semiconductors make no representation or warranty that such applications will be suitable for the specified use without further testing or modification.

Disclaimers

Life support — These products are not designed for use in life support appliances, devices, or systems where malfunction of these products can reasonably be expected to result in personal injury. Philips Semiconductors customers using or selling these products for use in such applications do so at their own risk and agree to fully indemnify Philips Semiconductors for any damages resulting from such application.

Right to make changes — Philips Semiconductors reserves the right to make changes in the products—including circuits, standard cells, and/or software—described or contained herein in order to improve design and/or performance. When the product is in full production (status 'Production'), relevant changes will be communicated via a Customer Product/Process Change Notification (CPCN). Philips Semiconductors assumes no responsibility or liability for the use of any of these products, conveys no license or title under any patent, copyright, or mask work right to these products, and makes no representations or warranties that these products are free from patent, copyright, or mask work right infringement, unless otherwise specified.

Contact information

For additional information please visit
<http://www.semiconductors.philips.com>. Fax: +31 40 27 24825

© Koninklijke Philips Electronics N.V. 2003
 All rights reserved. Printed in U.S.A.

Date of release: 04-03

For sales offices addresses send e-mail to:
sales.addresses@www.semiconductors.philips.com

Document order number:

9397 750 11302

Let's make things better.

P87C552; 80C51 8-bit microcontroller

8K/256 OTP, 8 channel 10 bit A/D, I2C, PWM, capture/compare, high IO, low voltage (2.7 V to 5.5 V), low power

Information as of 2003-04-22

[My.Semiconductors.COM.](#)

Your personal service from Philips Semiconductors.

Please register now !

Stay informed

Use right mouse button to download datasheet

Download datasheet

[Products](#)[MultiMarket](#)[Semiconductors](#)[Product Selector](#)[Catalog by](#)[Function](#)[Catalog by](#)[System](#)[Cross-reference](#)[Packages](#)[End of Life](#)[information](#)[Distributors Go](#)[Here!](#)[Models](#)[SoC solutions](#)

General description

The 87C552 Single-Chip 8-Bit Microcontroller is manufactured in an advanced CMOS process and is a derivative of the 80C51 microcontroller family. The 87C552 has the same instruction set as the 80C51.

The 87C552 contains a 8k × 8 non-volatile EPROM, a 256 × 8 read/write data memory, five 8-bit I/O ports, one 8-bit input port, two 16-bit timer/event counters (identical to the timers of the 80C51), an additional 16-bit timer coupled to capture and compare latches, a 15-source, four-priority-level, nested interrupt structure, an 8-input ADC, a dual DAC pulse width modulated interface, two serial interfaces (UART and I²C-bus), a “watchdog” timer and on-chip oscillator and timing circuits. For systems that require extra capability, the 8xC552 can be expanded using standard TTL compatible memories and logic.

In addition, the 8xC552 has two software selectable modes of power reduction—idle mode and power-down mode. The idle mode freezes the CPU while allowing the RAM, timers, serial ports, and interrupt system to continue functioning. Optionally, the ADC can be operated in Idle mode. The power-down mode saves the RAM contents but freezes the oscillator, causing all other chip functions to be inoperative.

The device also functions as an arithmetic processor having facilities for both binary and BCD arithmetic plus bit-handling capabilities. The instruction set consists of over 100 instructions: 49 one-byte, 45 two-byte, and 17 three-byte. With a 16MHz crystal, 58pct of the instructions are executed in 0.75us and 40pct in 1.5us. Multiply and divide instructions require 3us.

Features

- 80C51 central processing unit
- 8k × 8 EPROM expandable externally to 64k bytes
- An additional 16-bit timer/counter coupled to four capture registers and three compare registers
- Two standard 16-bit timer/counters
- 256 × 8 RAM, expandable externally to 64k bytes
- Capable of producing eight synchronized, timed outputs
- A 10-bit ADC with eight multiplexed analog inputs
- Fast 8-bit ADC option
- Two 8-bit resolution, pulse width modulation outputs
- Five 8-bit I/O ports plus one 8-bit input port shared with analog inputs
- I²C-bus serial I/O port with byte oriented master and slave functions
- On-chip watchdog timer
- Extended temperature ranges
- Full static operation – 0 to 16 MHz
- Operating voltage range: 2.7V to 5.5V (0 to 16MHz)
- Security bits:
 - OTP/EPROM – 3 bits
- Encryption array – 64 bytes


- 4 level priority interrupt
- 15 interrupt sources
- Full-duplex enhanced UART
 - Framing error detection
 - Automatic address recognition
- Power control modes
 - Clock can be stopped and resumed
 - Idle mode
 - Power down mode
- Second DPTR register
- ALE inhibit for EMI reduction
- Programmable I/O pins
- Wake-up from power-down by external interrupts
- Software reset
- Power-on detect reset
- ADC charge pump disable
- ONCE mode
- ADC active in Idle mode

▣ Applications

 [93017: Using the analog-to-digital converter of the 8XC552 microcontroller](#)

 [AN418: Counter/Timer 2 Of The 83c552 Microcontroller](#) (date 01-Jan-92)

▣ Datasheet

Type number	Title	Publication release date	Datasheet status	Page count	File size (kB)	Datasheet
P87C552	80C51 8-bit microcontroller 8K/256 OTP, 8 channel 10 bit A/D, I2C, PWM, capture/compare, high IO, low voltage (2.7 V to 5.5 V), low power	4/1/2003	Product specification	74	366	 Download




▣ Blockdiagram(s)

 [Block diagram of P87C552SBAA](#)

▣ Parametrics

Type number	Package	Power supply	RAM(bytes)	System Freq(MHz)	SPECIAL FEATURES	FUNCTION	ADCs	Watchdog timer	I/O pins	Operating temp.(Cel)	Timers	PWMs	Memory Type	Serial Interfaces	External Interrupt	Program Security	Series	No. of Pins	Clock Type	Memory Size(kBits)	Operating Frequency(MHz)	Reset Low or High
P87C552SBAA	SOT188-3 (PLCC68)	2.7~5.5	256	0~16@3V 0~16@5V	lots of I/O, PWM, ADC	8-bit uController	8-ch / 10-bit	yes	48	0~70	3 x 16-bit	2-ch	OTP	UART I2C	6	yes	80C51 family	68	12-clk	8K	0~16	High

▣ Products, packages, availability and ordering

Type number	North American type number	Ordering code (12NC)	Marking/Packing  IC packing info	Package	Device status	Buy online
P87C552SBAA	P87C552SBAA	9352 631 11512	Standard Marking * Tube Dry Pack	SOT188-3 (PLCC68)	Full production	 order this
	P87C552SBAA-S	9352 631 11529		SOT188-3 (PLCC68)	Full production	 order this

Products in the above table are all in production. Some variants are discontinued; [click here](#) for information on these variants.

▣ Similar products

[P87C552](#) links to the similar products page containing an overview of products that are similar in function or related to the type number(s) as listed on this page. The similar products page includes products from the same catalog tree(s), relevant selection guides and products from the same functional category.

▣ Support & tools

[Development Tools](#)

[A/D code for the 'C552.](#)

[80C51 family derivatives, 8XC552/562 overview](#) (date 01-Jul-96)

▣ Email/translate this product information

- [Email this product information.](#)
- Translate this product information page from English to:

The English language is the official language used at the semiconductors.philips.com website and webpages. All translations on this website are created through the use of [Google Language Tools](#) and are provided for convenience purposes only. No rights can be derived from any translation on this website.

[About this Web Site](#)

| Copyright © 2003 Koninklijke Philips N.V. All rights reserved. | [Privacy Policy](#) |

| Koninklijke Philips N.V. | Access to and use of this Web Site is subject to the following [Terms of Use](#). |