

To our customers,

---

## Old Company Name in Catalogs and Other Documents

---

On April 1<sup>st</sup>, 2010, NEC Electronics Corporation merged with Renesas Technology Corporation, and Renesas Electronics Corporation took over all the business of both companies. Therefore, although the old company name remains in this document, it is a valid Renesas Electronics document. We appreciate your understanding.

Renesas Electronics website: <http://www.renesas.com>

April 1<sup>st</sup>, 2010  
Renesas Electronics Corporation

Issued by: Renesas Electronics Corporation (<http://www.renesas.com>)

Send any inquiries to <http://www.renesas.com/inquiry>.

EOL product

## Notice

1. All information included in this document is current as of the date this document is issued. Such information, however, is subject to change without any prior notice. Before purchasing or using any Renesas Electronics products listed herein, please confirm the latest product information with a Renesas Electronics sales office. Also, please pay regular and careful attention to additional and different information to be disclosed by Renesas Electronics such as that disclosed through our website.
2. Renesas Electronics does not assume any liability for infringement of patents, copyrights, or other intellectual property rights of third parties by or arising from the use of Renesas Electronics products or technical information described in this document. No license, express, implied or otherwise, is granted hereby under any patents, copyrights or other intellectual property rights of Renesas Electronics or others.
3. You should not alter, modify, copy, or otherwise misappropriate any Renesas Electronics product, whether in whole or in part.
4. Descriptions of circuits, software and other related information in this document are provided only to illustrate the operation of semiconductor products and application examples. You are fully responsible for the incorporation of these circuits, software, and information in the design of your equipment. Renesas Electronics assumes no responsibility for any losses incurred by you or third parties arising from the use of these circuits, software, or information.
5. When exporting the products or technology described in this document, you should comply with the applicable export control laws and regulations and follow the procedures required by such laws and regulations. You should not use Renesas Electronics products or the technology described in this document for any purpose relating to military applications or use by the military, including but not limited to the development of weapons of mass destruction. Renesas Electronics products and technology may not be used for or incorporated into any products or systems whose manufacture, use, or sale is prohibited under any applicable domestic or foreign laws or regulations.
6. Renesas Electronics has used reasonable care in preparing the information included in this document, but Renesas Electronics does not warrant that such information is error free. Renesas Electronics assumes no liability whatsoever for any damages incurred by you resulting from errors in or omissions from the information included herein.
7. Renesas Electronics products are classified according to the following three quality grades: “Standard”, “High Quality”, and “Specific”. The recommended applications for each Renesas Electronics product depends on the product’s quality grade, as indicated below. You must check the quality grade of each Renesas Electronics product before using it in a particular application. You may not use any Renesas Electronics product for any application categorized as “Specific” without the prior written consent of Renesas Electronics. Further, you may not use any Renesas Electronics product for any application for which it is not intended without the prior written consent of Renesas Electronics. Renesas Electronics shall not be in any way liable for any damages or losses incurred by you or third parties arising from the use of any Renesas Electronics product for an application categorized as “Specific” or for which the product is not intended where you have failed to obtain the prior written consent of Renesas Electronics. The quality grade of each Renesas Electronics product is “Standard” unless otherwise expressly specified in a Renesas Electronics data sheets or data books, etc.
  - “Standard”: Computers; office equipment; communications equipment; test and measurement equipment; audio and visual equipment; home electronic appliances; machine tools; personal electronic equipment; and industrial robots.
  - “High Quality”: Transportation equipment (automobiles, trains, ships, etc.); traffic control systems; anti-disaster systems; anti-crime systems; safety equipment; and medical equipment not specifically designed for life support.
  - “Specific”: Aircraft; aerospace equipment; submersible repeaters; nuclear reactor control systems; medical equipment or systems for life support (e.g. artificial life support devices or systems), surgical implantations, or healthcare intervention (e.g. excision, etc.), and any other applications or purposes that pose a direct threat to human life.
8. You should use the Renesas Electronics products described in this document within the range specified by Renesas Electronics, especially with respect to the maximum rating, operating supply voltage range, movement power voltage range, heat radiation characteristics, installation and other product characteristics. Renesas Electronics shall have no liability for malfunctions or damages arising out of the use of Renesas Electronics products beyond such specified ranges.
9. Although Renesas Electronics endeavors to improve the quality and reliability of its products, semiconductor products have specific characteristics such as the occurrence of failure at a certain rate and malfunctions under certain use conditions. Further, Renesas Electronics products are not subject to radiation resistance design. Please be sure to implement safety measures to guard them against the possibility of physical injury, and injury or damage caused by fire in the event of the failure of a Renesas Electronics product, such as safety design for hardware and software including but not limited to redundancy, fire control and malfunction prevention, appropriate treatment for aging degradation or any other appropriate measures. Because the evaluation of microcomputer software alone is very difficult, please evaluate the safety of the final products or system manufactured by you.
10. Please contact a Renesas Electronics sales office for details as to environmental matters such as the environmental compatibility of each Renesas Electronics product. Please use Renesas Electronics products in compliance with all applicable laws and regulations that regulate the inclusion or use of controlled substances, including without limitation, the EU RoHS Directive. Renesas Electronics assumes no liability for damages or losses occurring as a result of your noncompliance with applicable laws and regulations.
11. This document may not be reproduced or duplicated, in any form, in whole or in part, without prior written consent of Renesas Electronics.
12. Please contact a Renesas Electronics sales office if you have any questions regarding the information contained in this document or Renesas Electronics products, or if you have any other inquiries.

(Note 1) “Renesas Electronics” as used in this document means Renesas Electronics Corporation and also includes its majority-owned subsidiaries.

(Note 2) “Renesas Electronics product(s)” means any product developed or manufactured by or for Renesas Electronics.

To all our customers

---

## Regarding the change of names mentioned in the document, such as Hitachi Electric and Hitachi XX, to Renesas Technology Corp.

---

The semiconductor operations of Mitsubishi Electric and Hitachi were transferred to Renesas Technology Corporation on April 1st 2003. These operations include microcomputer, logic, analog and discrete devices, and memory chips other than DRAMs (flash memory, SRAMs etc.) Accordingly, although Hitachi, Hitachi, Ltd., Hitachi Semiconductors, and other Hitachi brand names are mentioned in the document, these names have in fact all been changed to Renesas Technology Corp. Thank you for your understanding. Except for our corporate trademark, logo and corporate statement, no changes whatsoever have been made to the contents of the document, and these changes do not constitute any alteration to the contents of the document itself.

Renesas Technology Home Page: <http://www.renesas.com>

Renesas Technology Corp.  
Customer Support Dept.  
April 1, 2003

## Cautions

Keep safety first in your circuit designs!

1. Renesas Technology Corporation puts the maximum effort into making semiconductor products better and more reliable, but there is always the possibility that trouble may occur with them. Trouble with semiconductors may lead to personal injury, fire or property damage.

Remember to give due consideration to safety when making your circuit designs, with appropriate measures such as (i) placement of substitutive, auxiliary circuits, (ii) use of nonflammable material or (iii) prevention against any malfunction or mishap.

Notes regarding these materials

1. These materials are intended as a reference to assist our customers in the selection of the Renesas Technology Corporation product best suited to the customer's application; they do not convey any license under any intellectual property rights, or any other rights, belonging to Renesas Technology Corporation or a third party.
2. Renesas Technology Corporation assumes no responsibility for any damage, or infringement of any third-party's rights, originating in the use of any product data, diagrams, charts, programs, algorithms, or circuit application examples contained in these materials.
3. All information contained in these materials, including product data, diagrams, charts, programs and algorithms represents information on products at the time of publication of these materials, and are subject to change by Renesas Technology Corporation without notice due to product improvements or other reasons. It is therefore recommended that customers contact Renesas Technology Corporation or an authorized Renesas Technology Corporation product distributor for the latest product information before purchasing a product listed herein.  
The information described here may contain technical inaccuracies or typographical errors. Renesas Technology Corporation assumes no responsibility for any damage, liability, or other loss rising from these inaccuracies or errors.  
Please also pay attention to information published by Renesas Technology Corporation by various means, including the Renesas Technology Corporation Semiconductor home page (<http://www.renesas.com>).
4. When using any or all of the information contained in these materials, including product data, diagrams, charts, programs, and algorithms, please be sure to evaluate all information as a total system before making a final decision on the applicability of the information and products. Renesas Technology Corporation assumes no responsibility for any damage, liability or other loss resulting from the information contained herein.
5. Renesas Technology Corporation semiconductors are not designed or manufactured for use in a device or system that is used under circumstances in which human life is potentially at stake. Please contact Renesas Technology Corporation or an authorized Renesas Technology Corporation product distributor when considering the use of a product contained herein for any specific purposes, such as apparatus or systems for transportation, vehicular, medical, aerospace, nuclear, or undersea repeater use.
6. The prior written approval of Renesas Technology Corporation is necessary to reprint or reproduce in whole or in part these materials.
7. If these products or technologies are subject to the Japanese export control restrictions, they must be exported under a license from the Japanese government and cannot be imported into a country other than the approved destination.  
Any diversion or reexport contrary to the export control laws and regulations of Japan and/or the country of destination is prohibited.
8. Please contact Renesas Technology Corporation for further details on these materials or the products contained therein.

---

# HD404618 Series

## 4-Bit Single-Chip Microcomputer



Rev. 6.0  
Sept. 1998

---

### Description

The HD404618 Series is designed with the powerful and efficient architecture of the HMCS400 family. The MCU incorporates a high-precision dual-tone multifrequency (DTMF) circuit, LCD driver/controller, voltage comparator, and 32-kHz watch oscillator circuit.

The HD404618 Series includes five chips: the HD404612 with 2-kword ROM; the HD404614 with 4-kword ROM; the HD404616 with 6-kword ROM; the HD404618 with 8-kword ROM; the HD4074618 with 8-kword PROM.

The HD4074618, incorporating PROM, is a ZTAT™ microcomputer that can dramatically shorten system development periods and smooth the process from debugging to mass production.

ZTAT™ : Zero Turn Around time ZTAT is a trademark of Hitachi Ltd.

### Features

- 2048-word × 10-bit ROM (HD404612)
- 4096-word × 10-bit ROM (HD404614)
- 6144-word × 10-bit ROM (HD404616)
- 8192-word × 10-bit ROM (HD404618, HD4074618)
- 1184-digit × 4-bit RAM
- 30 I/O pins
  - 10 high-current output pins
  - CMOS I/O pin circuit configuration
  - Input/output pull-up MOS can be selected by software
- On-chip DTMF generator
- LCD controller/driver (32 segments × 4 commons)
- Three timer/counters
- Clock-synchronous 8-bit serial interface
- Six interrupt sources
  - Two by external sources
  - Four by internal sources

---

## HD404618 Series

---

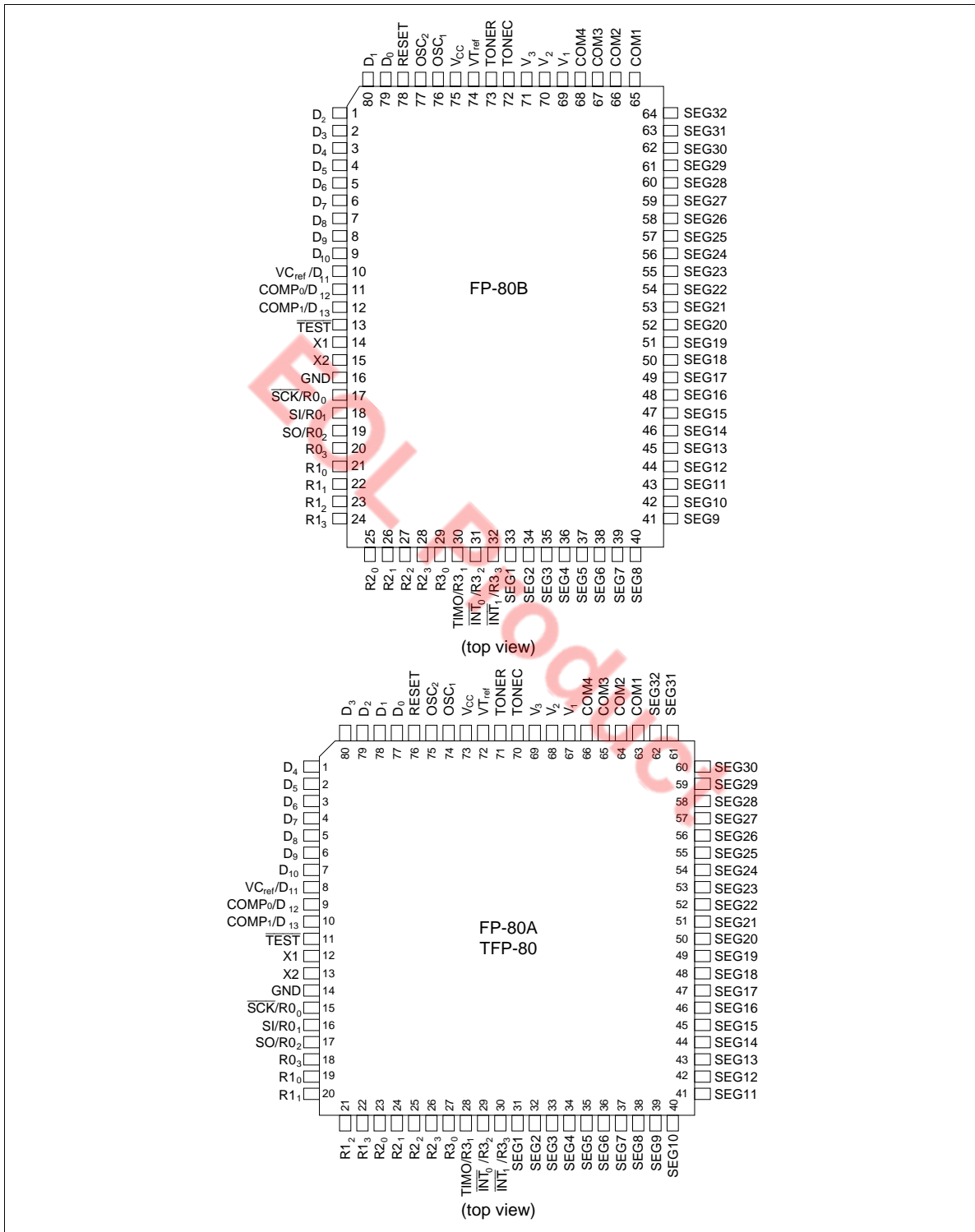
- Subroutine stack up to 16 levels, including interrupts
- Instruction cycle time
  - 10  $\mu$ s ( $f_{OSC} = 400$  kHz)
  - 5  $\mu$ s ( $f_{OSC} = 800$  kHz)
- Four low-power dissipation modes
  - Stop mode
  - Standby mode
  - Watch mode
  - Subactive mode
- Built-in oscillator
  - Crystal or ceramic oscillator (an external clock also possible)
- Voltage comparator (2 channels)
- Two operating modes
  - MCU mode
  - PROM mode (HD4074618)
- Package
  - 80-pin plastic flat package (FP-80B) (FP-80A)
  - 80-pin plastic thin flat package (TFP-80)

### Ordering Information

Type	Product Name	Model Name	ROM (Word)	Package
Mask ROM	HD404612	HD404612FS	2,048	FP-80B
		HD404612H		FP-80A
		HD404612TF		TFP-80
	HD404614	HD404614FS	4,096	FP-80B
		HD404614H		FP-80A
		HD404614TF		TFP-80
	HD404616	HD404616FS	6,144	FP-80B
		HD404616H		FP-80A
		HD404616TF		TFP-80
HD404618	HD404618FS	8,192	FP-80B	
	HD404618H		FP-80A	
	HD404618TF		TFP-80	
ZTAT™	HD4074618	HD4074618FS	8,192	FP-80B
		HD4074618H		FP-80A
		HD4074618TF		TFP-80

---

Pin Arrangement



## HD404618 Series

### Pin Description

Pin Number				Pin Number			
FP-80B	FP-80A, TFP-80	Pin Name	I/O	FP-80B	FP-80A, TFP-80	Pin Name	I/O
1	79	D <sub>2</sub>	I/O	33	31	SEG1	O
2	80	D <sub>3</sub>	I/O	34	32	SEG2	O
3	1	D <sub>4</sub>	I/O	35	33	SEG3	O
4	2	D <sub>5</sub>	I/O	36	34	SEG4	O
5	3	D <sub>6</sub>	I/O	37	35	SEG5	O
6	4	D <sub>7</sub>	I/O	38	36	SEG6	O
7	5	D <sub>8</sub>	I/O	39	37	SEG7	O
8	6	D <sub>9</sub>	I/O	40	38	SEG8	O
9	7	D <sub>10</sub>	I	41	39	SEG9	O
10	8	D <sub>11</sub> /V <sub>C<sub>ref</sub></sub>	I	42	40	SEG10	O
11	9	D <sub>12</sub> /COMP <sub>0</sub>	I	43	41	SEG11	O
12	10	D <sub>13</sub> /COMP <sub>1</sub>	I	44	42	SEG12	O
13	11	TEST	I	45	43	SEG13	O
14	12	X1	I	46	44	SEG14	O
15	13	X2	O	47	45	SEG15	O
16	14	GND		48	46	SEG16	O
17	15	R0 <sub>0</sub> /SCK	I/O	49	47	SEG17	O
18	16	R0 <sub>1</sub> /SI	I/O	50	48	SEG18	O
19	17	R0 <sub>2</sub> /SO	I/O	51	49	SEG19	O
20	18	R0 <sub>3</sub>	I/O	52	50	SEG20	O
21	19	R1 <sub>0</sub>	I/O	53	51	SEG21	O
22	20	R1 <sub>1</sub>	I/O	54	52	SEG22	O
23	21	R1 <sub>2</sub>	I/O	55	53	SEG23	O
24	22	R1 <sub>3</sub>	I/O	56	54	SEG24	O
25	23	R2 <sub>0</sub>	I/O	57	55	SEG25	O
26	24	R2 <sub>1</sub>	I/O	58	56	SEG26	O
27	25	R2 <sub>2</sub>	I/O	59	57	SEG27	O
28	26	R2 <sub>3</sub>	I/O	60	58	SEG28	O
29	27	R3 <sub>0</sub>	I/O	61	59	SEG29	O
30	28	R3 <sub>1</sub> /TIMO	I/O	62	60	SEG30	O
31	29	R3 <sub>2</sub> /INT <sub>0</sub>	I/O	63	61	SEG31	O
32	30	R3 <sub>3</sub> /INT <sub>1</sub>	I/O	64	62	SEG32	O



## HD404618 Series

Pin Number				Pin Number			
FP-80B	FP-80A, TFP-80	Pin Name	I/O	FP-80B	FP-80A, TFP-80	Pin Name	I/O
65	63	COM1	O	73	71	TONER	O
66	64	COM2	O	74	72	VT <sub>ref</sub>	
67	65	COM3	O	75	73	V <sub>CC</sub>	
68	66	COM4	O	76	74	OSC <sub>1</sub>	I
69	67	V <sub>1</sub>		77	75	OSC <sub>2</sub>	O
70	68	V <sub>2</sub>		78	76	RESET	I
71	69	V <sub>3</sub>		79	77	D <sub>0</sub>	I/O
72	70	TONEC	O	80	78	D <sub>1</sub>	I/O

Note: I/O: Input/output pin, I: Input pin, O: Output pin

### Pin Functions

#### Power Supply

**V<sub>CC</sub>**: Apply power voltage to this pin.

**GND**: Connect to ground.

**$\overline{\text{TEST}}$** : Used for test purposes only. Connect it to V<sub>CC</sub>.

**RESET**: Resets the MCU.

#### Oscillators

**OSC<sub>1</sub>, OSC<sub>2</sub>**: Used as pins for the internal oscillator circuit. They can be connected to a ceramic resonator, or OSC<sub>1</sub> can be connected to an external oscillator circuit.

**X1, X2**: Used for a 32.768-kHz crystal oscillator that acts as a clock.

#### Ports

**D<sub>0</sub>–D<sub>13</sub> (D Port)**: Input/output port addressable by individual bits. D<sub>0</sub>–D<sub>9</sub> are I/O pins and D<sub>10</sub>–D<sub>13</sub> are input pins. D<sub>0</sub>–D<sub>9</sub> are high current output pins (15 mA, max.). D<sub>11</sub>–D<sub>13</sub> are also available as voltage comparators.

**R0–R3 (R Ports)**: Input/output ports addressable in 4-bit units. R<sub>00</sub>, R<sub>01</sub>, R<sub>02</sub>, R<sub>31</sub>, R<sub>32</sub>, and R<sub>33</sub>, are multiplexed with SCK, SI, SO, TIMO,  $\overline{\text{INT}}_0$ , and  $\overline{\text{INT}}_1$ , respectively.

---

## HD404618 Series

---

### Interrupts

$\overline{\text{INT}}_0$ ,  $\overline{\text{INT}}_1$ : Input external interrupts to the MCU.  $\overline{\text{INT}}_1$  is also used as an external event input for timer B.  $\overline{\text{INT}}_0$  and  $\overline{\text{INT}}_1$  are multiplexed with R3<sub>2</sub> and R3<sub>3</sub>, respectively.

### Serial Communications Interface

$\overline{\text{SCK}}$ : Input/output serial clock pin multiplexed with R0<sub>0</sub>.

**SI**: Serial receive data input pin multiplexed with R0<sub>1</sub>.

**SO**: Serial transmit data output pin multiplexed with R0<sub>2</sub>.

### Timers

**TIMO**: Outputs a variable-duty square wave. It is multiplexed with R3<sub>1</sub>.

### LCD Driver/Controller

**V<sub>1</sub>, V<sub>2</sub>, V<sub>3</sub>**: Power supply pins for the LCD driver. Internal resistors provide the voltage level for each pin. The voltage condition is  $V_{CC} \geq V_1 \geq V_2 \geq V_3 \geq \text{GND}$ .

**COM1–COM4**: Common signal output pins for LCD display.

**SEG1–SEG32**: Segment signal output pins for LCD display.

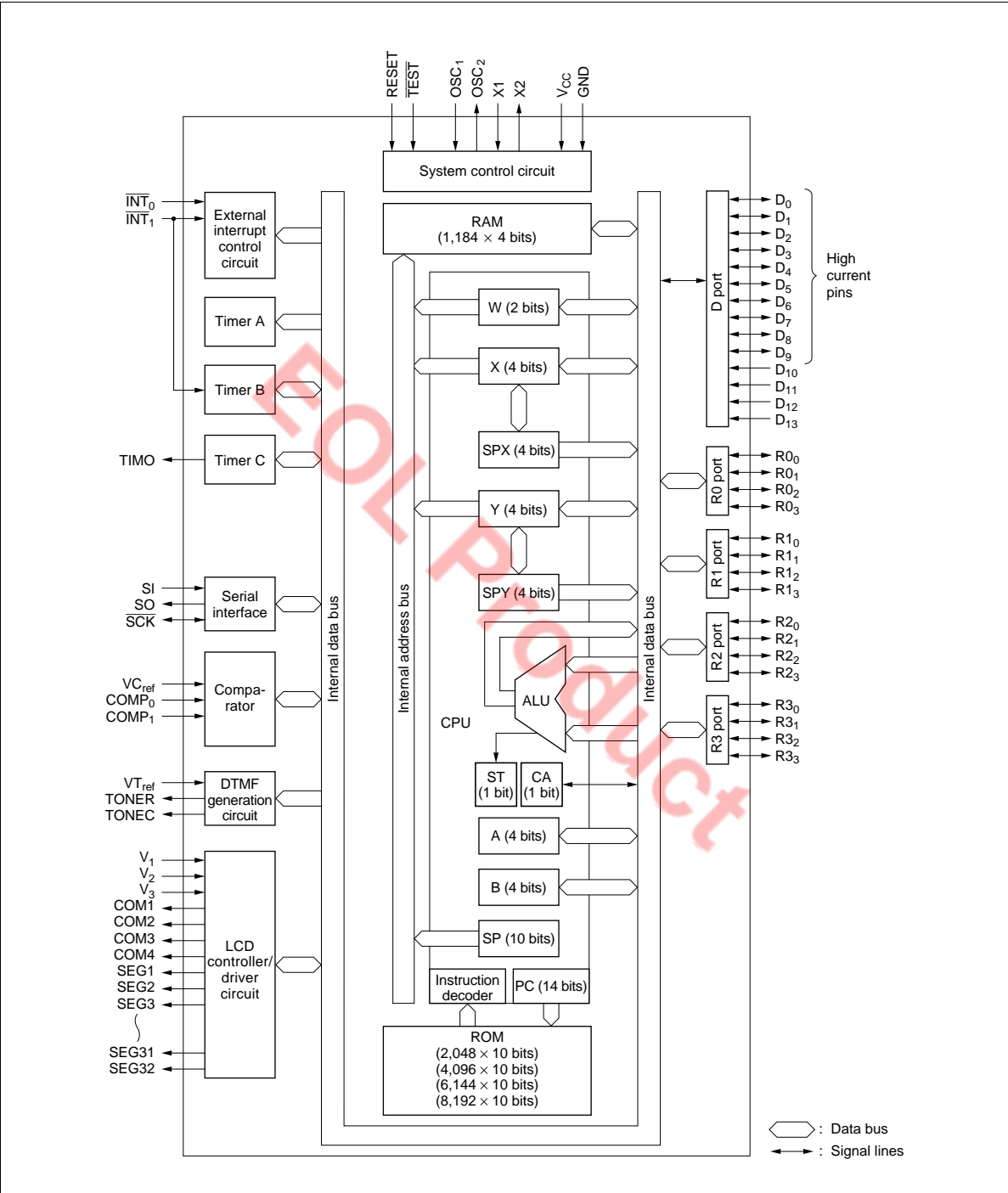
### DTMF Generator

**TONER, TONEC, VT<sub>ref</sub>**: DTMF signal pins. TONER and TONEC transmit signals for row and column, respectively. VT<sub>ref</sub> is a reference voltage for DTMF signals. Apply condition  $V_{CC} \geq VT_{ref} \geq \text{GND}$  to VT<sub>ref</sub>.

### Voltage Comparator

**COMP0, COMP1, VC<sub>ref</sub>**: COMP0 and COMP1 are analog inputs for the voltage comparator. VC<sub>ref</sub> is a reference voltage pin that inputs the threshold voltage of the analog input pin.

Block Diagram



# HD404618 Series

## Memory Map

### ROM Memory Map

The ROM memory map is shown in figure 1, and the ROM is described below.

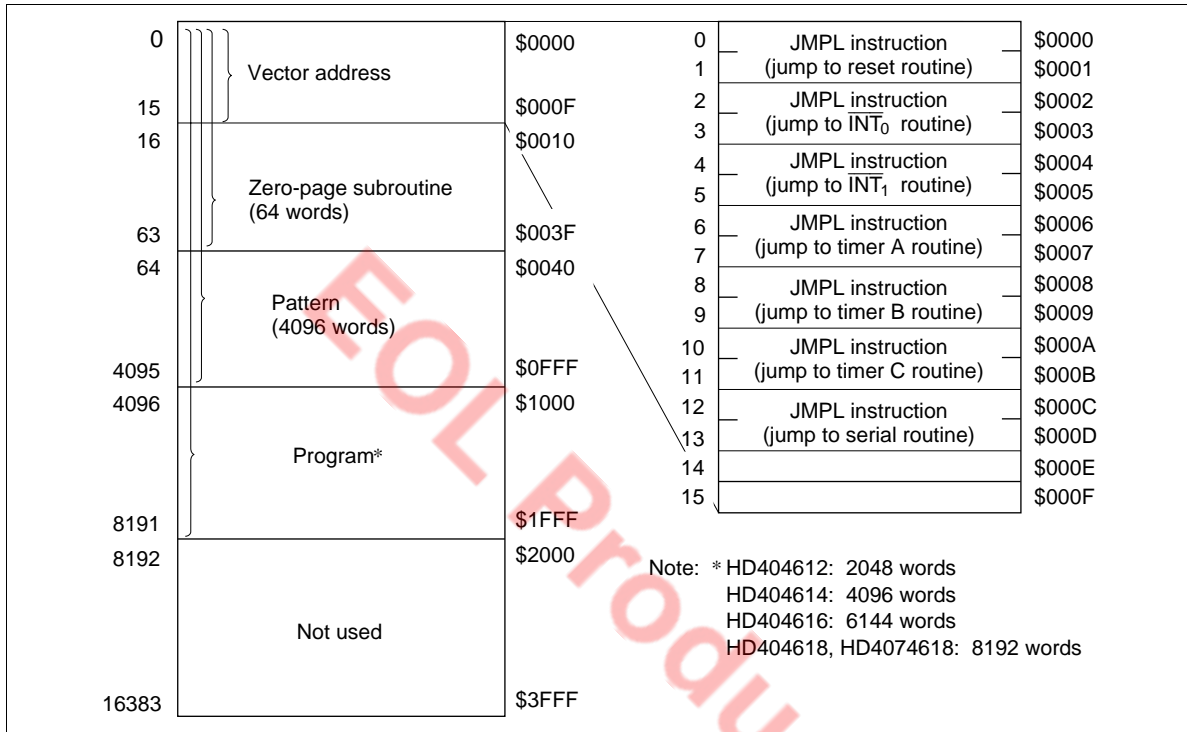


Figure 1 ROM Memory Map

**Vector Address Area (\$0000–\$000F):** Reserved for JMWL instructions that branch to the start addresses of the reset and interrupt routines. After an MCU reset or interrupt execution, the program starts from the vector address.

**Zero-Page Subroutine Area (\$0000–\$003F):** Reserved for subroutines. The program branches to a subroutine in this area in response to the CAL instruction.

**Pattern Area (\$0000–\$0FFF):** Contains ROM data that can be referenced with the P instruction.

**Program Area (\$0000–\$07FF (HD404612), \$0000–\$0FFF (HD404614), \$0000–\$17FF (HD404616), \$0000–\$1FFF (HD404618, HD4074618)):** Used for program coding.

### **RAM Memory Map**

The MCU contains a 1,184-digit  $\times$  4-bit RAM area consisting of a data area and a stack area. In addition, interrupt control bits and special registers are mapped onto the same RAM memory space outside this area. The RAM memory map is shown in figure 2, and described below.

**Interrupt Control Bits Area (\$000–\$003):** Used for interrupt control bits and the bit register (figure 3). The register flag area consists of LSON, WDON, TGSP, and DTON flags. Both areas can be accessed only by RAM bit manipulation instructions. In addition, note that the interrupt request flag cannot be set by software, the RSP bit is used only to reset the stack pointer. Limitations on using the instructions are shown in figure 4.

**Register Flag Area (\$020–\$023):** Consist of the LSON, WDON, TGSP, and DTON flags which are bit registers accessible by RAM bit manipulation instructions.

The WDON flag can only be set, only by the SEM/SEMD instruction.

The TGSP flag can be set and reset by the SEM/SEMD and REM/REMD instructions.

The DTON flag can be set, reset, and tested by the SEM/SEMD, REM/REMD, and TMD instructions. Note that the DTON flag is active only in subactive mode, and is normally reset in active mode.

**Special Function Registers Area (\$004–\$01F, \$024–\$03F):** Used as mode or data registers for serial interface, timer/counters, LCD, and DTMF, and as data control registers for I/O ports. These registers are classified into three types: write-only, read-only, and read/write as shown in figure 2.

The SEM/REM and SEMD/REMD instructions can be used for the LCD control register (LCR), but RAM bit manipulation instructions cannot be used for other registers.

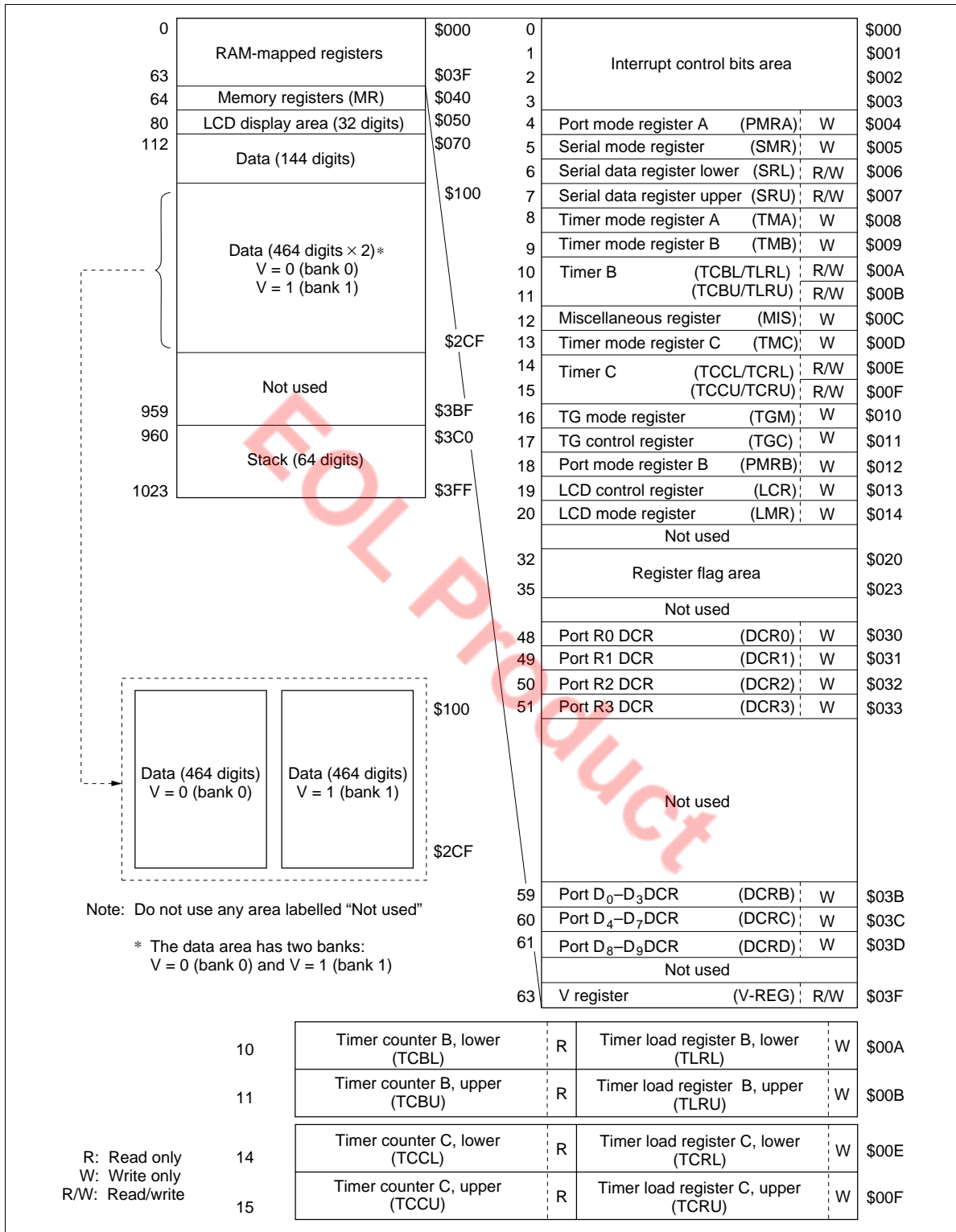
**LCD Data Area (\$050–\$06F):** Used for storing LCD data which is automatically output to LCD segments as display data. Data 1 lights the corresponding LCD segment; data 0 extinguishes it. This area can be used as data area.

**Data Area (\$040–\$2CF, \$100–\$2CF; Bank 0, 1):** The memory registers (MR), which consist of 16 digits (\$040–\$04F), can be accessed by the LAMR and XMRA instructions (see figure 5). In the 464 digits from \$100–\$2CF, a bank can be selected by the V register (see section on V register).

**Stack Area (\$3C0–\$3FF):** Used for saving the contents of the program counter (PC), status flag (ST), and carry flag (CA) at subroutine call (CAL or CALL instruction) and interrupt processing. This area can be used as a 16-level nesting subroutine stack in which one level requires four digits. The data to be saved and the save conditions are shown in figure 5.

The program counter is restored by either the RTN or RTNI instruction, but the status and carry flags can only be restored by the RTNI instruction. Any unused space in this area is used for data storage.

# HD404618 Series



**Figure 2 RAM Memory Map**

	Bit 3	Bit 2	Bit 1	Bit 0	
0	IM0 (IM of $\overline{INT_0}$ )	IF0 (IF of $\overline{INT_0}$ )	RSP (Reset SP bit)	IE (Interrupt enable flag)	\$000
1	IMTA (IM of timer A)	IFTA (IF of timer A)	IM1 (IM of $\overline{INT_1}$ )	IF1 (IF of $\overline{INT_1}$ )	\$001
2	IMTC (IM of timer C)	IFTC (IF of timer C)	IMTB (IM of timer B)	IFTB (IF of timer B)	\$002
3	Not used	Not used	IMS (IM of serial)	IFS (IF of serial)	\$003
32	DTON Direct transfer on flag	TGSP (Tone generator speed flag)	WDON (Watchdog on flag)	LSON (Low speed on flag)	\$020
	Not Used				\$021
35	Not Used				\$023

IF: Interrupt request flag  
 IM: Interrupt mask  
 IE: Interrupt enable flag  
 SP: Stack pointer  
 Note: Bits in the interrupt control bits area and register flag area are set by the SEM or SEMD instruction, reset by the REM or REMD instruction, and tested by the TM or TMD instruction. Other instructions have no effect.

Figure 3 Configuration of Interrupt Control Bits and Register Flag Areas

	SEM/SEMD	REM/REMD	TM/TMD
IF	Not executed	Allowed	Allowed
RSP	Not executed	Allowed	Inhibited
WDON	Allowed	Not executed	Inhibited
TGSP	Allowed	Allowed	Inhibited
DTON	Not executed in active mode	Allowed	Allowed
	Used in subactive mode		

Note: WDON is always reset in active mode.  
 DTON is always reset in active mode.  
 If the TM or TMD instruction is executed for the inhibited bits or non-existing bits, the value in ST becomes invalid.

Figure 4 Usage Limitations of RAM Bit Manipulation Instructions

## HD404618 Series

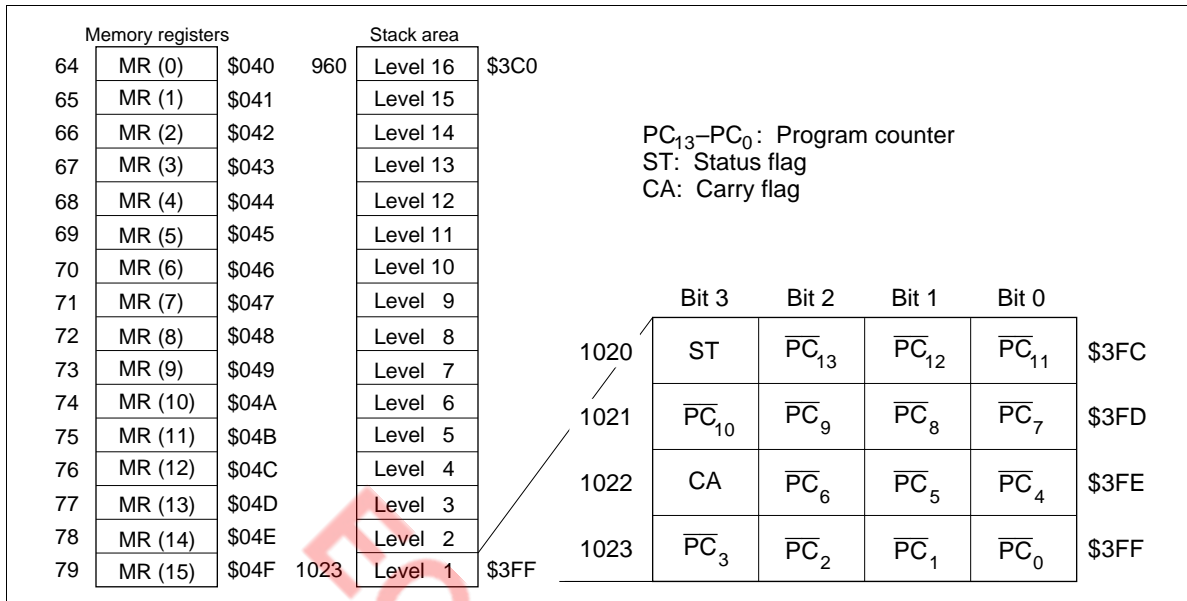


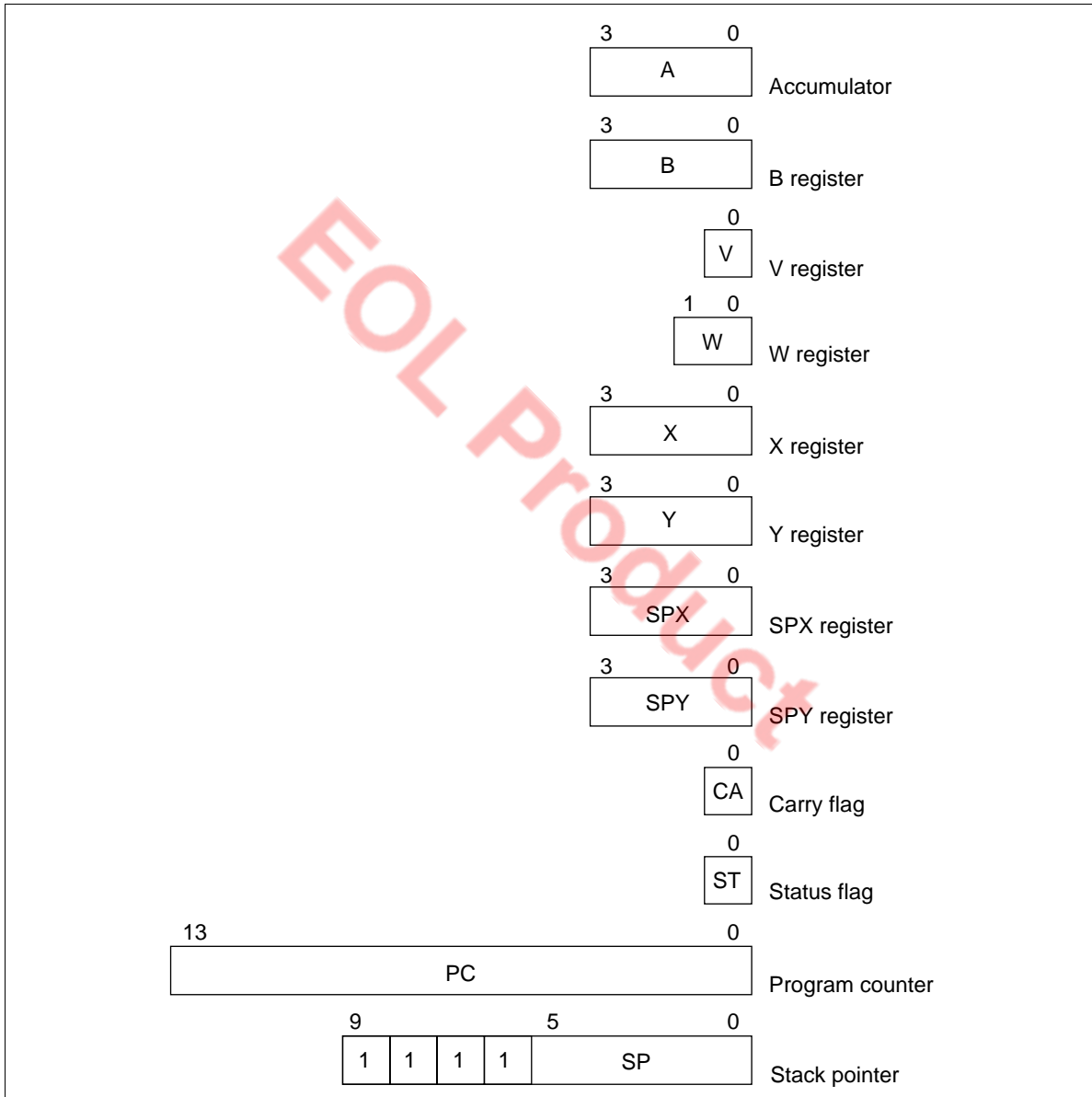
Figure 5 Configuration of Memory Registers and Stack Area, and Stack Position



**Functional Description**

**Registers and Flags**

The MCU has ten registers and two flags for CPU operations. They are illustrated in figure 6 and described below.



**Figure 6 Registers and Flags**

**Accumulator (A), B Register (B):** Four-bit registers used to hold results from the arithmetic logic unit (ALU) and transfer data between memory, I/O, and other registers.

---

## HD404618 Series

---

**V Register (V):** Used for RAM address expansion and selecting the bank of RAM addresses \$100–\$2CF (464 digits). Thus, when accessing locations \$100–\$2CF, specify the value of the V register (V = \$0 for bank 0, V = \$1 for bank 1). Locations \$000–\$0FF and \$3C0–\$3FF can be accessed independent of the V register. The V register is located at RAM address \$03F.

**W Register (W), X Register (X), Y Register (Y):** Two-bit (W) and four-bit (X and Y) registers used for indirect RAM addressing. The Y register is also used for D-port addressing.

**SPX Register (SPX), SPY Register (SPY):** Four-bit registers used to supplement the X and Y registers.

**Carry Flag (CA):** One-bit flag that stores any ALU overflow generated by an arithmetic operation. CA is affected by the SEC, REC, ROTL, and ROTR instructions. During an interrupt, a carry is pushed onto the stack and popped from the stack by the RTNI instruction—but not by the RTN instruction.

**Status Flag (ST):** One-bit flag that latches any overflow generated by an arithmetic or compare instruction, not-zero decision from the ALU, or result of a bit test. ST is used as a branch condition of the BR, BRL, CAL, or CALL instruction. The contents of ST remain unchanged until the next arithmetic, compare, or bit test instruction is executed, but become 1 after the BR, BRL, CAL, or CALL instruction is read, regardless of whether the instruction is executed or skipped. During an interrupt, the contents of ST are pushed onto the stack and popped from the stack by the RTNI instruction, but not by the RTN instruction.

**Program Counter (PC):** A 14-bit counter that points to the ROM address of the instruction being executed.

**Stack Pointer (SP):** Ten-bit pointer that contains the address of the stack area to be used next. The SP is initialized to \$3FF by MCU reset, is decremented by 4 when data is pushed onto the stack, and is incremented by 4 when data is popped from the stack. Since the top four bits of the SP are fixed at 1111, a stack of up to 16 levels can be used.

The SP can also be initialized to \$3FF in another way: by resetting the RSP bit with the REM or REMD instruction.

**Reset**

The MCU is reset by inputting a high-level voltage to the RESET pin. At power-on or when stop mode is cancelled, RESET must be high for at least one  $t_{RC}$  to enable the oscillator to stabilize.

During operation, RESET must be high for at least two instruction cycles.

I/O pins go to high-impedance at power-on.

Initial values after MCU reset are shown in table 1.

**Table 1 Initial Values After MCU Reset**

Item	Abbr.	Initial Value	Contents	
Program counter	(PC)	\$0000	Indicates program execution point from start address of ROM area	
Status flag	(ST)	1	Enables conditional branching	
Stack pointer	(SP)	\$3FF	Stack level 0	
V register (bank register)	(V)	0	Bank 0 (memory)	
Interrupt flags/mask	Interrupt enable flag	(IE)	0	Inhibits all interrupts
	Interrupt request flag	(IF)	0	Indicates there is no interrupt request
	Interrupt mask	(IM)	1	Prevents (masks) interrupt request
I/O	Port data register	(PDR)	All bits 1	Enables output at level 1
	Data control register	(DCR)	All bits 0	Turns output buffer off (to high impedance)
	Port mode register A	(PMRA)	0000	Refer to description of port mode register A
	Port mode register B	(PMRB)	0000	Refer to description of port mode register B
Timer/ counters, serial interface	Timer mode register A	(TMA)	0000	Refer to description of timer mode register A
	Timer mode register B	(TMB)	0000	Refer to description of timer mode register B
	Timer mode register C	(TMC)	0000	Refer to description of timer mode register C
	Serial mode register	(SMR)	0000	Refer to description of serial mode register
	Prescaler S		\$000	—
	Prescaler W		\$00	—
	Timer counter A	(TCA)	\$00	—

## HD404618 Series

**Table 1 Initial Values After MCU Reset (cont)**

Item		Abbr.	Initial Value	Contents
Timer/ counters, serial interface	Timer counter B	(TCB)	\$00	—
	Timer counter C	(TCC)	\$00	—
	Timer load register B	(TLR)	\$00	—
	Timer load register C	(TCR)	\$00	—
	Octal counter		000	—
LCD	LCD control register	(LCR)	000	Refer to description of LCD control register
	LCD mode register	(LMR)	0000	Refer to description of LCD duty cycle/clock control
DTMF generator	Tone generator control register	(TGC)	000	Refer to description of tone generator control register
	Tone generator mode register	(TGM)	0000	Refer to description of generator mode register
Bit registers	Low speed on flag	(LSON)	0	Refer to description of operating modes
	Watchdog timer on flag	(WDON)	0	Refer to description of timer C
	Tone generator speed flag	(TGSP)	0	Refer to description of DTMF generation circuit
	Direct transfer on flag	(DTON)	0	Refer to description of operating modes
Miscellaneous register		(MIS)	000	—

Item	Abbr.	Status after Cancellation of Stop Mode by MCU Reset	Status after Cancellation of All Other Modes by MCU Reset
Carry flag	(CA)	Pre-MCU-reset values are not guaranteed; values must be initialized by program	Pre-MCU-reset values are not guaranteed; values must be initialized by program
Accumulator	(A)		
B register	(B)		
W register	(W)		
X/SPX register	(X/SPX)		
Y/SPY register	(Y/SPY)		
Serial data register	(SR)		
RAM		Pre-MCU-reset (pre-STOP-instruction) values are retained	

## Interrupts

The MCU has six interrupt sources: two external signals ( $\overline{INT}_0$  and  $\overline{INT}_1$ ), three timer/counters (timers A, B, and C), and serial interface (serial).

An interrupt request flag (IF), interrupt mask (IM), and vector address are provided for each interrupt source, and an interrupt enable flag (IE) controls the entire interrupt process.

**Interrupt Control Bits and Interrupt Servicing:** Locations \$000 through \$003 in RAM space are reserved for interrupt control bits which can be accessed by RAM bit manipulation instructions.

The interrupt request flag (IF) cannot be set by software. MCU reset initializes the interrupt enable flag (IE) and the IF to 0 and the interrupt mask (IM) to 1.

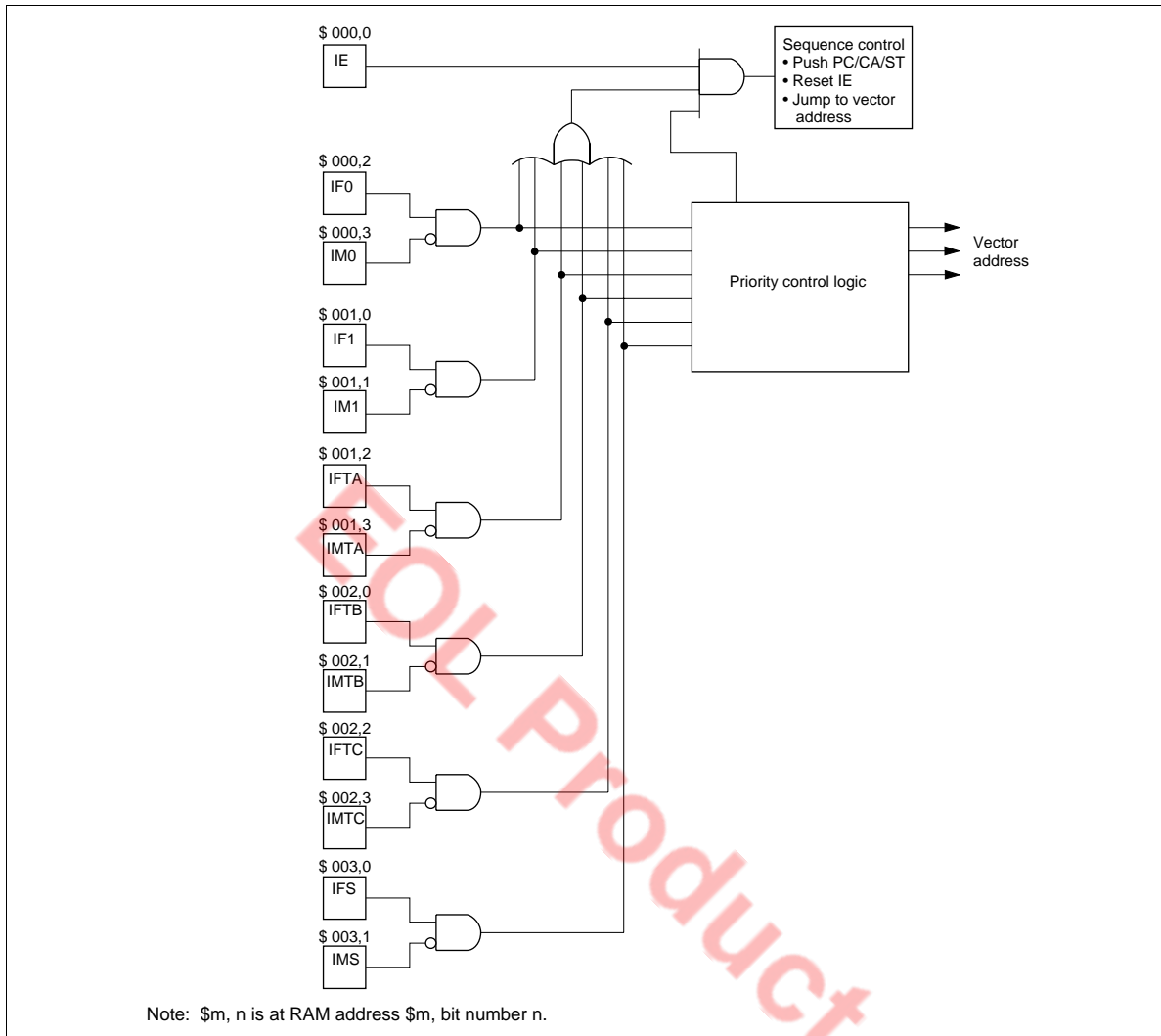
Figure 7 is a block diagram of the interrupt control circuit. Table 2 lists interrupt priorities and vector addresses, and table 3 lists the interrupt processing conditions for the six interrupt sources.

An interrupt request occurs when the IF is set to 1 and IM to 0. If the IE is 1 at that point, the interrupt is processed. A priority programmable logic array (PLA) generates the vector address assigned to that interrupt source.

Figure 8 shows the interrupt processing sequence, and figure 9 shows an interrupt processing flowchart. After an interrupt is acknowledged, the previous instruction is completed in the first cycle. The IE is reset in the second cycle, the carry flag, status flag, and program counter values are pushed onto the stack during the second and third cycles, and the program jumps to the vector address to execute the instruction in the third cycle.

Program the JMPL instruction at each vector address to branch the program to the start address of the interrupt program, and reset the IF by a software instruction within the interrupt program.

## HD404618 Series



**Figure 7 Block Diagram of Interrupt Control Circuit**

**Table 2 Vector Addresses and Interrupt Priorities**

Reset/Interrupt	Priority	Vector Address
RESET		\$0000
$\overline{INT}_0$	1	\$0002
$\overline{INT}_1$	2	\$0004
Timer A	3	\$0006
Timer B	4	\$0008
Timer C	5	\$000A
Serial	6	\$000C

Table 3 Interrupt Processing and Activation Conditions

Interrupt Control Bit	Interrupt Source					
	$\overline{INT}_0$	$\overline{INT}_1$	Timer A	Timer B	Timer C	Serial
IE	1	1	1	1	1	1
IF0· $\overline{IM0}$	1	0	0	0	0	0
IF1· $\overline{IM1}$	*	1	0	0	0	0
IFTA· $\overline{IMTA}$	*	*	1	0	0	0
IFTB· $\overline{IMTB}$	*	*	*	1	0	0
IFTC· $\overline{IMTC}$	*	*	*	*	1	0
IFS· $\overline{IMS}$	*	*	*	*	*	1

Note: Bits marked by \* can be either 0 or 1. Their values have no effect on operation.

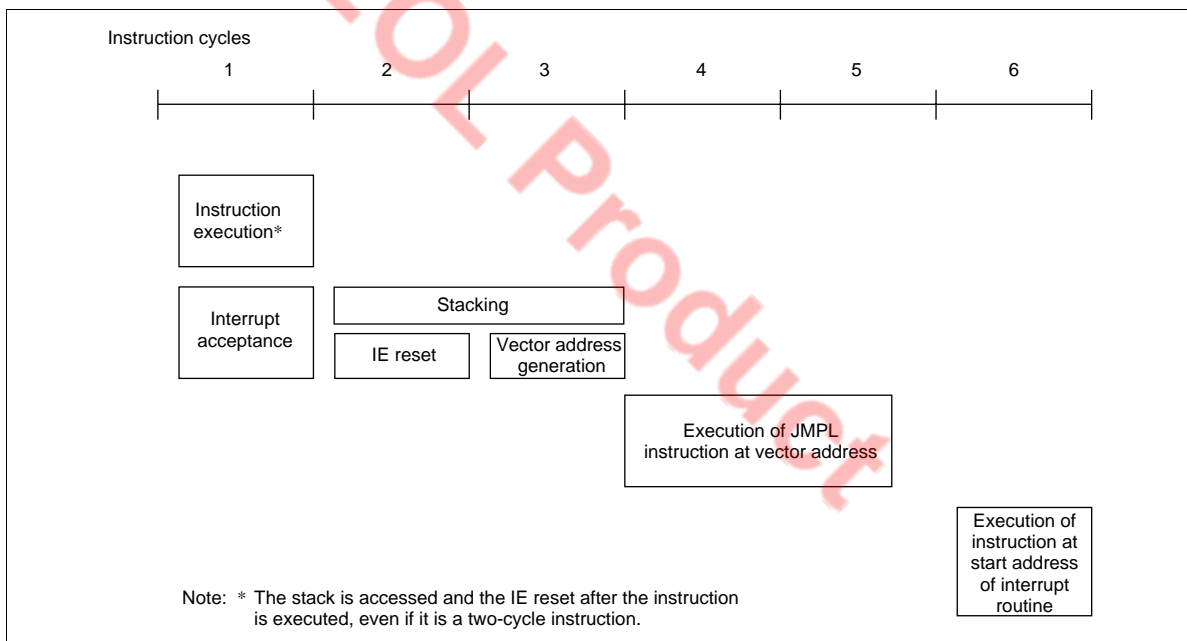


Figure 8 Interrupt Processing Sequence

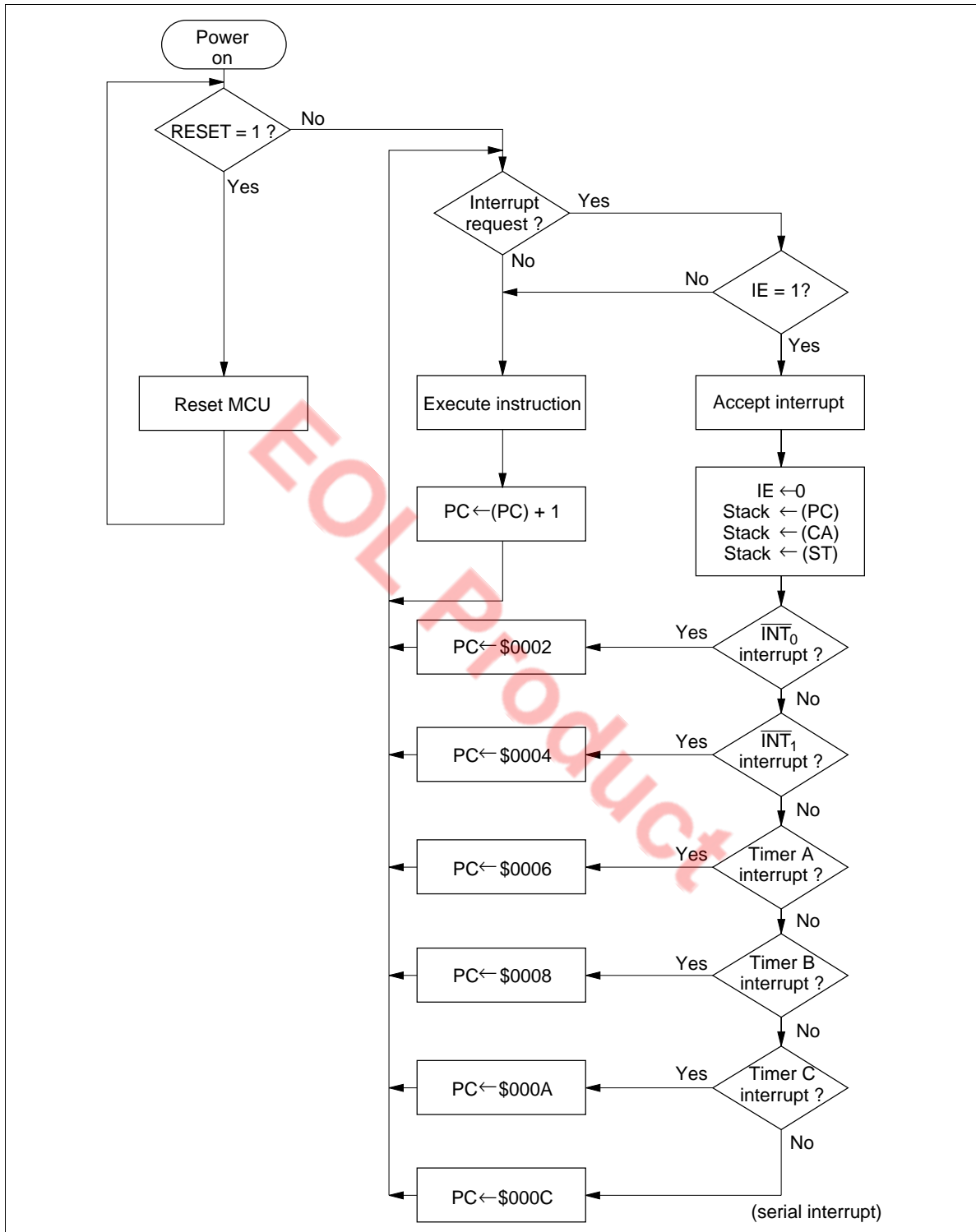


Figure 9 Interrupt Processing Flowchart



**Interrupt Enable Flag (IE: \$000, Bit 0):** Controls the entire interrupt process. It is reset by the interrupt processing and set by the RTNI instruction, as shown in table 4.

**Table 4 Interrupt Enable Flag**

IE	Interrupt Enabled/Disabled
0	Disabled
1	Enabled

**External Interrupts ( $\overline{INT}_0$ ,  $\overline{INT}_1$ ):** Specified by port mode register A (PMRA: \$004).

The  $\overline{INT}_1$  input can be used as a clock signal input to timer B. Timer B increments at each falling edge of the  $\overline{INT}_1$  input. When using  $\overline{INT}_1$  as a timer B external event input, external interrupt mask IM1 must be set to prevent the  $\overline{INT}_1$  interrupt request from being accepted (see table 6).

To detect the edge of  $\overline{INT}_0$  or  $\overline{INT}_1$ , more than two instruction cycle times are required ( $2t_{cyc}$  or  $2t_{subcyc}$ ).

**External Interrupt Request Flags (IF0: \$000, Bit 2; IF1: \$001, Bit 0):** Set at the falling edge of the  $\overline{INT}_0$  and  $\overline{INT}_1$  inputs as shown in table 5.

**Table 5 External Interrupt Request Flags**

IF0, IF1	Interrupt Request
0	No
1	Yes

**External Interrupt Masks (IM0: \$000, Bit 3; IM1: \$001, Bit 1):** Prevent (mask) interrupt requests caused by the corresponding external interrupt request flags, as shown in table 6.

**Table 6 External Interrupt Masks**

IM0, IM1	Interrupt Request
0	Enabled
1	Disabled (masked)

**Timer A Interrupt Request Flag (IFTA: \$001, Bit 2):** Set by overflow output from timer A as shown in table 7.

**Table 7 Timer A Interrupt Request Flag**

IFTA	Interrupt Request
0	No
1	Yes

---

## HD404618 Series

---

**Timer A Interrupt Mask (IMTA: \$001, Bit 3):** Prevents (masks) an interrupt request caused by the timer A interrupt request flag, as shown in table 8.

**Table 8 Timer A Interrupt Mask**

IMTA	Interrupt Request
0	Enabled
1	Disabled (masked)

**Timer B Interrupt Request Flag (IFTB: \$002, Bit 0):** Set by overflow output from timer B as shown in table 9.

**Table 9 Timer B Interrupt Request Flag**

IFTB	Interrupt Request
0	No
1	Yes

**Timer B Interrupt Mask (IMTB: \$002, Bit 1):** Prevents (masks) an interrupt request caused by the timer B interrupt request flag, as shown in table 10.

**Table 10 Timer B Interrupt Mask**

IMTB	Interrupt Request
0	Enabled
1	Disabled (masked)

**Timer C Interrupt Request Flag (IFTC: \$002, Bit 2):** Set by overflow output from timer C as shown in table 11.

**Table 11 Timer C Interrupt Request Flag**

IFTC	Interrupt Request
0	No
1	Yes

**Timer C Interrupt Mask (IMTC: \$002, Bit 3):** Prevents (masks) an interrupt request caused by the timer C interrupt request flag, as shown in table 12.

**Table 12 Timer C Interrupt Mask**

<b>IMTC</b>	<b>Interrupt Request</b>
0	Enabled
1	Disabled (masked)

**Serial Interrupt Request Flag (IFS: \$003, Bit 0):** Set when the octal counter counts the eighth transmit clock signal or when data transmit is discontinued by resetting the octal counter, as shown in table 13.

**Table 13 Serial Interrupt Request Flag**

<b>IFS</b>	<b>Interrupt Request</b>
0	No
1	Yes

**Serial Interrupt Mask (IMS: \$003, Bit 1):** Prevents (masks) an interrupt request caused by the serial interrupt request flag, as shown in table 14.

**Table 14 Serial Interrupt Mask**

<b>IMS</b>	<b>Interrupt Request</b>
0	Enabled
1	Disabled (masked)

## HD404618 Series

### Operating Modes

The MCU has five operating modes that are specified by how the clock is used. The functions available in each mode are listed in table 15, and operations are shown in table 16. Transitions between operating modes are shown in figure 10. Table 17 provides additional information for table 15.

**Table 15 Functions Available in Each Operating Mode**

		Mode Name				
		Active	Standby	Stop	Watch	Subactive* <sup>4</sup>
Activation method		Reset cancellation, interrupt request	SBY instruction	TMA3 = 0, STOP instruction	TMA3 = 1, STOP instruction	$\overline{\text{INT}}_0$ or timer A interrupt request from watch mode
Status	System oscillator	Operating	Operating	Stopped	Stopped	Stopped
	Subsystem oscillator	Operating	Operating	Operating* <sup>1</sup>	Operating	Operating
	Instruction execution ( $\phi_{\text{CPU}}$ )	Operating	Stopped	Stopped	Stopped	Operating
	Peripheral function interrupt( $\phi_{\text{PER}}$ )	Operating	Operating	Stopped	Stopped	Operating
	Clock function interrupt ( $\phi_{\text{CLK}}$ )	Operating	Operating	Stopped	Operating* <sup>2</sup>	Operating* <sup>2</sup>
	RAM	Operating	Retained	Retained	Retained	Operating
	Registers/ flags	Operating	Retained	Reset	Retained	Operating
	I/O	Operating	Retained	High impedance* <sup>3</sup>	Retained* <sup>3</sup>	Operating* <sup>3</sup>
Cancellation method		RESET input, STOP/SBY instruction	RESET input, interrupt request	RESET input	RESET input, $\overline{\text{INT}}_0$ or timer A interrupt request	RESET input, STOP/SBY instruction

- Notes:
1. To reduce current dissipation, stop all oscillation in external circuits.
  2. Refer to the Interrupt Frame section for details.
  3. Refer to table 17.
  4. Subactive mode is an optional function, specify it on the function option list.
  5. In the watch and subactive modes, the MCU requires a 32.768-kHz crystal oscillator.

		System Clock ( $\phi_{CPU}$ )	
		Operating	Stopped
Non-time-base peripheral function clock ( $\phi_{PER}$ )	Operating	Active mode Subactive mode	Standby mode
	Stopped	—	Watch mode (TMA3 = 1) Stop mode (TMA3 = 0)

**Table 16 Operations in Low-Power Dissipation Modes**

Function	Stop Mode	Watch Mode* <sup>3</sup>	Standby Mode	Subactive Mode* <sup>2, 3</sup>
CPU	Reset	Retained	Retained	OP
RAM	Retained	Retained	Retained	OP
Timer A	Reset	OP	OP	OP
Timer B	Reset	Stopped	OP	OP
Timer C	Reset	Stopped	OP	OP
Serial interface	Reset	Stopped* <sup>4</sup>	OP	OP
LCD	Reset	OP	OP	OP
DTMF	Reset	Reset	Stopped	Reset
I/O	Reset* <sup>1</sup>	Retained	Retained	OP

Notes: OP indicates operating.

1. Output pins are at high impedance.
2. Subactive mode is an optional function specified on the function option list.
3. In the watch and subactive modes, the MCU requires a 32.768 kHz crystal oscillator.
4. Transmission/reception is activated if a clock is input in external clock mode. (However, interrupts stop.)

# HD404618 Series

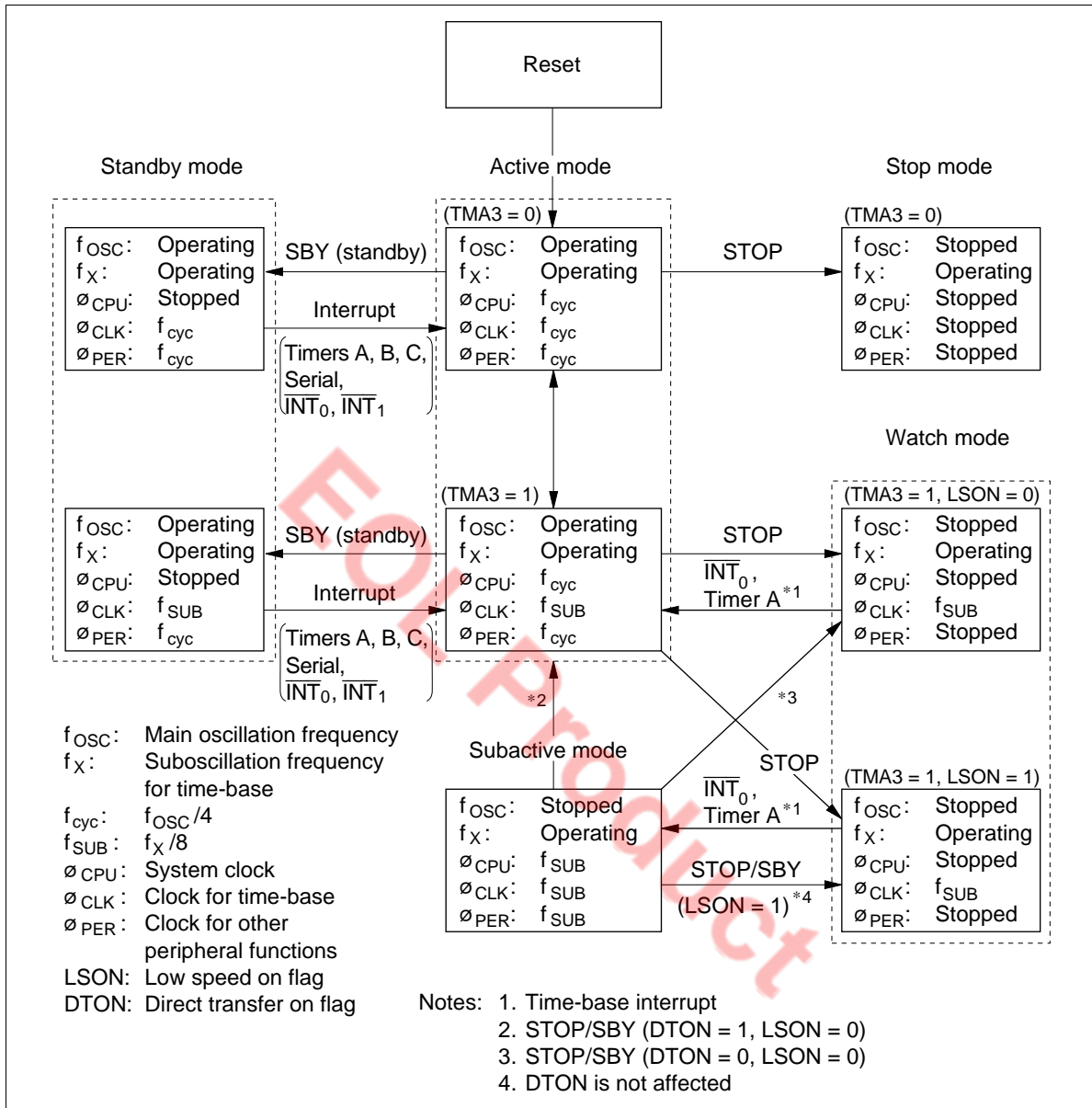


Figure 10 MCU Status Transitions

Table 17 I/O Status in Low-Power Dissipation Modes

	Output		Input	
	Standby Mode, Watch Mode	Stop Mode	Active Mode, Subactive Mode	
D <sub>0</sub> –D <sub>9</sub>	Retained	High impedance	Input enabled	
D <sub>10</sub> –D <sub>13</sub>	—	—	Input enabled	
R0–R3	Retained	High impedance	Input enabled	

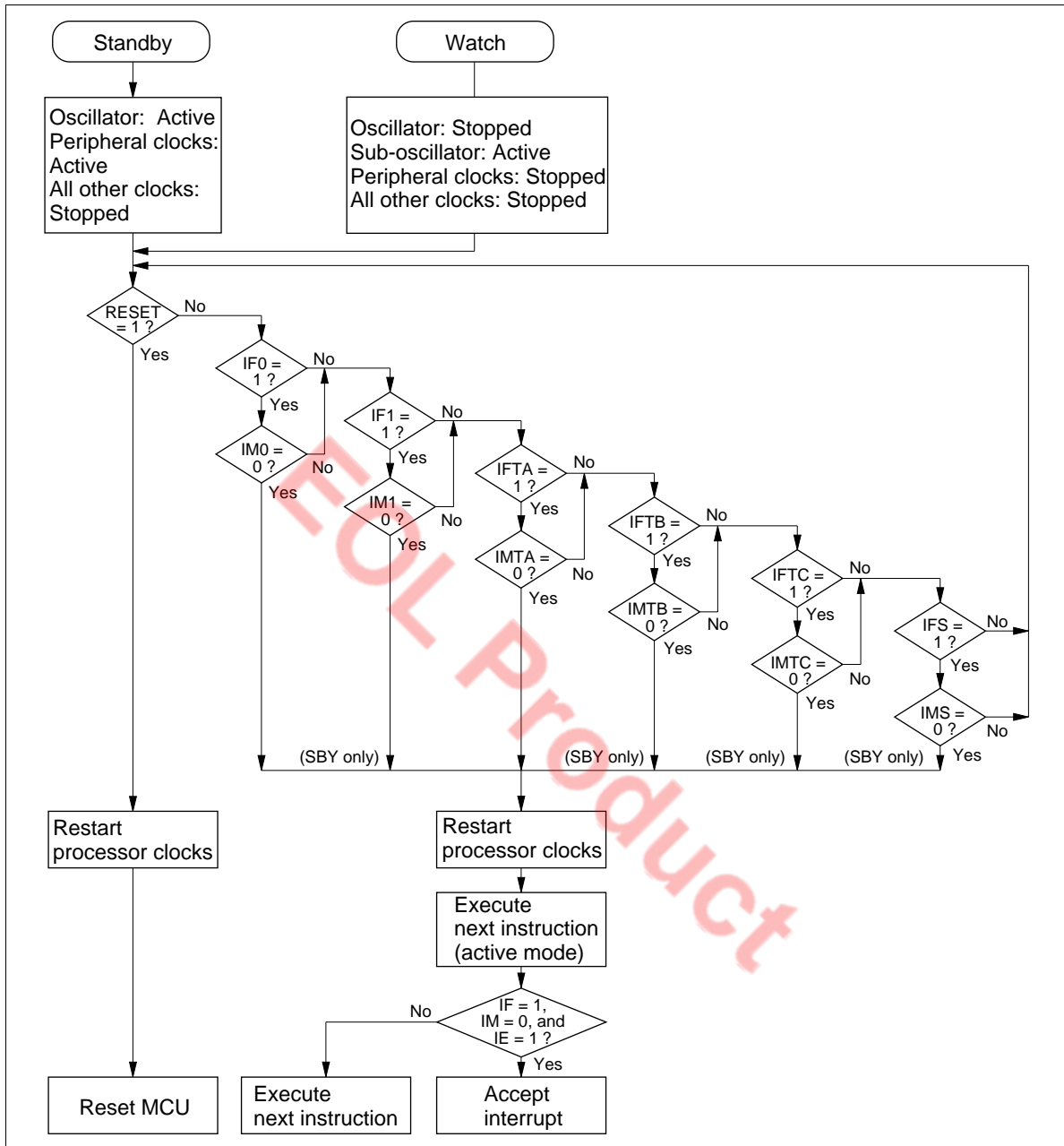
**Active Mode:** The MCU operates according to the clock generated by the system oscillators OSC<sub>1</sub> and OSC<sub>2</sub>.

**Standby Mode:** The MCU enters standby mode when the SBY instruction is executed from active mode. In this mode, the oscillators, interrupts, timer/counters, and serial interface continue to operate, but all instruction execution-related clocks stop. The stopping of these clocks stops the CPU, retaining all RAM and register contents and maintaining the current I/O pin status.

Standby mode is terminated by a RESET input or an interrupt request. If it is terminated by RESET input, the MCU is reset as well. After an interrupt request, the MCU enters active mode and resumes, executing the next instruction after the SBY instruction. If the interrupt enable flag is 1, that interrupt is then processed; if it is 0, the interrupt request is left pending and normal instruction execution continues. A flowchart of operation in standby mode is shown in figure 11.

EOL Product

# HD404618 Series

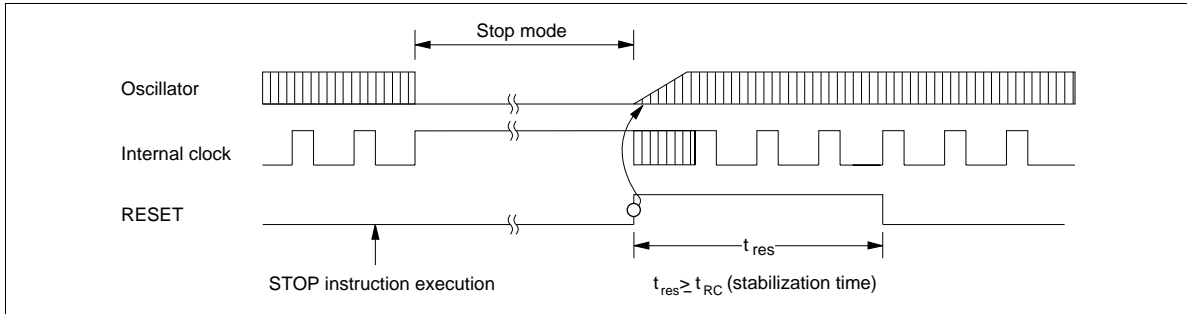


**Figure 11 MCU Operation Flowchart in Watch and Standby Modes**

**Stop Mode:** The MCU enters stop mode if the STOP instruction is executed in active mode when TMA3 = 0. In this mode, the system oscillator stops, which stops all MCU functions as well.

Stop mode is terminated by a RESET input as shown in figure 12. RESET must be high for at least one  $t_{RC}$  to stabilize oscillation (refer to the AC Characteristics section). When the MCU restarts after stop mode is cancelled, all RAM contents are retained, but the accuracy of the contents of the accumulator, B register, W register, X/SPX register, Y/SPY register, carry flag, and serial data register cannot be guaranteed.



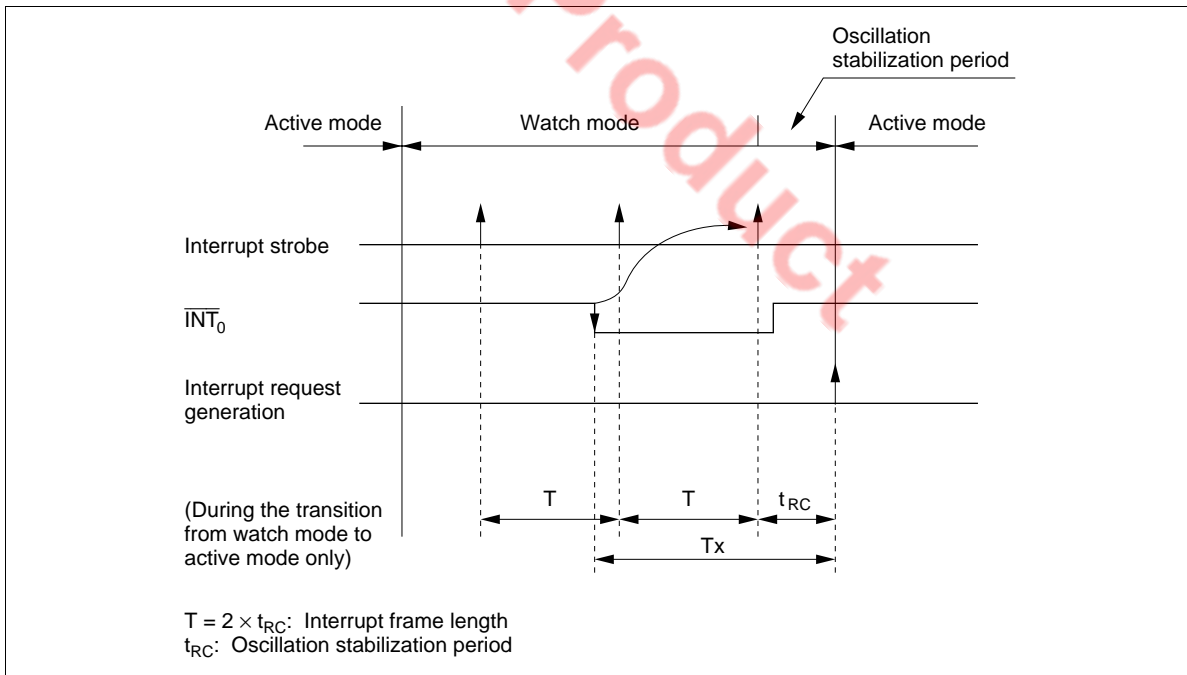


**Figure 12 Timing of Stop Mode Cancellation**

**Watch Mode:** The MCU enters watch mode if the STOP instruction is executed in active mode when TMA3 = 1, or if the STOP or SBY instruction is executed in subactive mode.

Watch mode is terminated by a RESET input or a timer-A/ $\overline{\text{INT}}_0$  interrupt request. For details of RESET input, refer to the Stop Mode section. When terminated by a timer-A/ $\overline{\text{INT}}_0$  interrupt request, the MCU enters active mode if LSON is 0, or subactive mode if LSON is 1. After an interrupt request is generated, the time required to enter active mode is  $t_{RC}$  for a timer A interrupt, and  $T_x$  (where  $T + t_{RC} < T_x < 2T + t_{RC}$ ) for an  $\overline{\text{INT}}_0$  interrupt, as shown in figure 13.

Operation during mode transition is the same as that at standby mode cancellation (figure 12).



**Figure 13 Interrupt Frame**

**Subactive Mode:** The CPU operates with a clock generated by the X1 and X2 oscillation circuits. Functions that can operate in subactive mode are listed in table 16. When the STOP or SBY instruction is executed in subactive mode, the MCU enters either watch or active mode, depending on the statuses of

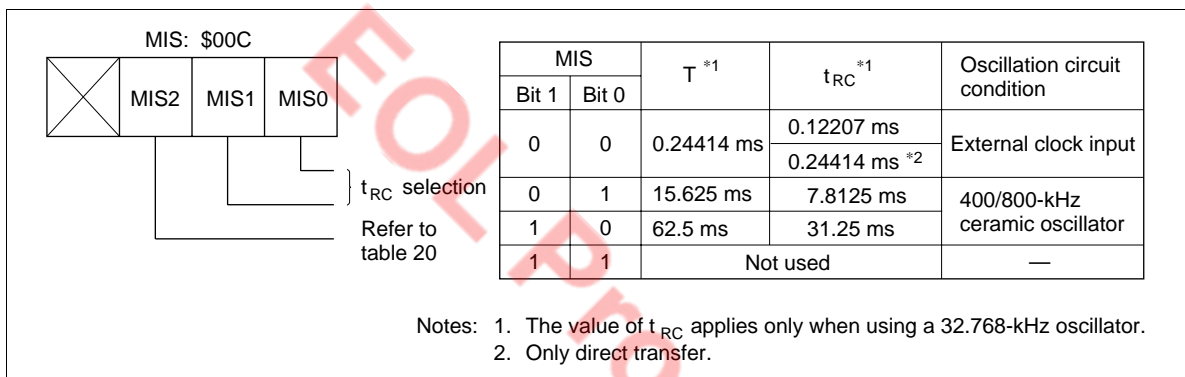
## HD404618 Series

LSON and DTON. The DTON flag can only be set in subactive mode; it is automatically reset after a transition to active mode.

Subactive mode is an optional function that the user must specify on the function option list.

**Interrupt Frame:** In watch and subactive modes,  $\emptyset_{CLK}$  is supplied for timer A and the  $\overline{INT}_0$  circuit. Prescaler W and timer A operate as time bases to generate interrupt frame timing. Three interrupt frame cycles (T) can be selected by the settings of the miscellaneous register, as shown in figure 14.

In watch and subactive modes, timer A and  $\overline{INT}_0$  interrupts are generated in synchronism with the interrupt frame. An interrupt request is generated at the interrupt strobe timing, except when the MCU enters active mode from watch mode. The  $\overline{INT}_0$  falling edge is acknowledged regardless of the interrupt frame, but the interrupt is executed simultaneously with the next interrupt strobe. Timer A generates an overflow and interrupt request at the timing of an interrupt strobe.



**Figure 14 Miscellaneous Register**

**Direct Transfer:** By controlling the DTON, the MCU would be placed directly from subactive to active mode. The detailed procedure is as follows:

- Set the DTON flag in subactive mode while LSON = 0.
- Execute the STOP or SBY instruction.
- After the oscillation stabilization time (a fixed value), the MCU will move automatically from subactive to active mode.

Note that DTON (\$020, bit 3) is valid only in subactive mode. When the MCU is in active mode, this flag is always at reset.

The transition time ( $t_D$ ) from subactive to active mode is  $t_{RC} < t_D < T + t_{RC}$ .

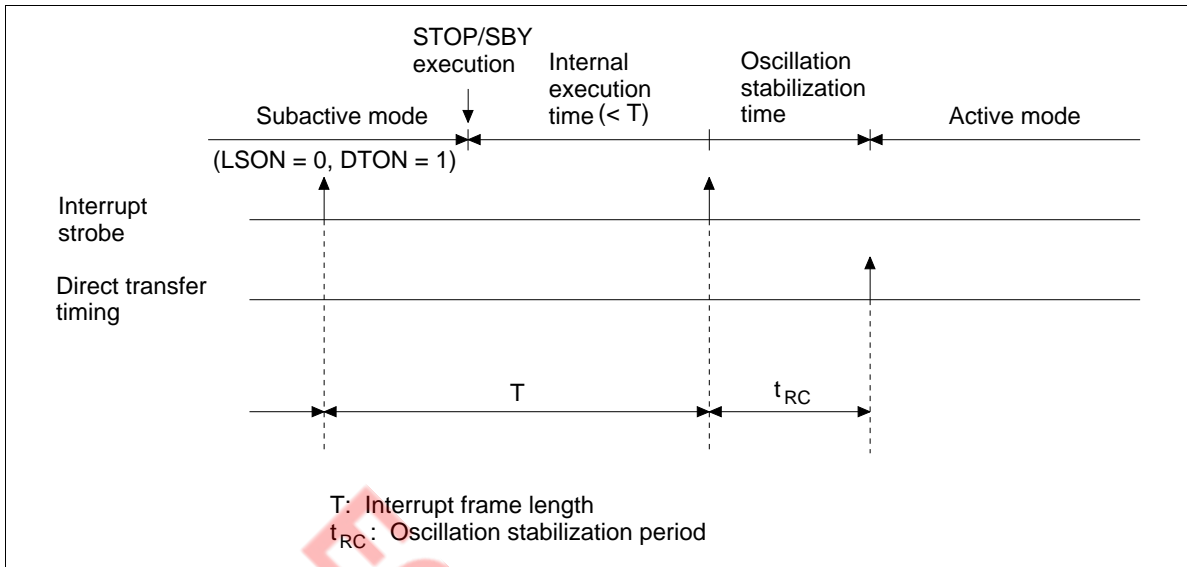


Figure 15 Direct Transfer Timing

**MCU Operating Sequence:** The MCU operates in the sequence shown in figures 16 to 18. It is reset by an asynchronous RESET input, regardless of its state.

The low-power mode operation sequence is shown in figure 18. With the IE flag cleared and an interrupt flag set together with its interrupt mask cleared, if a STOP/SBY instruction is executed, the instruction is cancelled (regarded as a NOP) and the following instruction is executed. Before executing a STOP/SBY instruction, make sure all interrupt flags are cleared or all interrupts are masked.

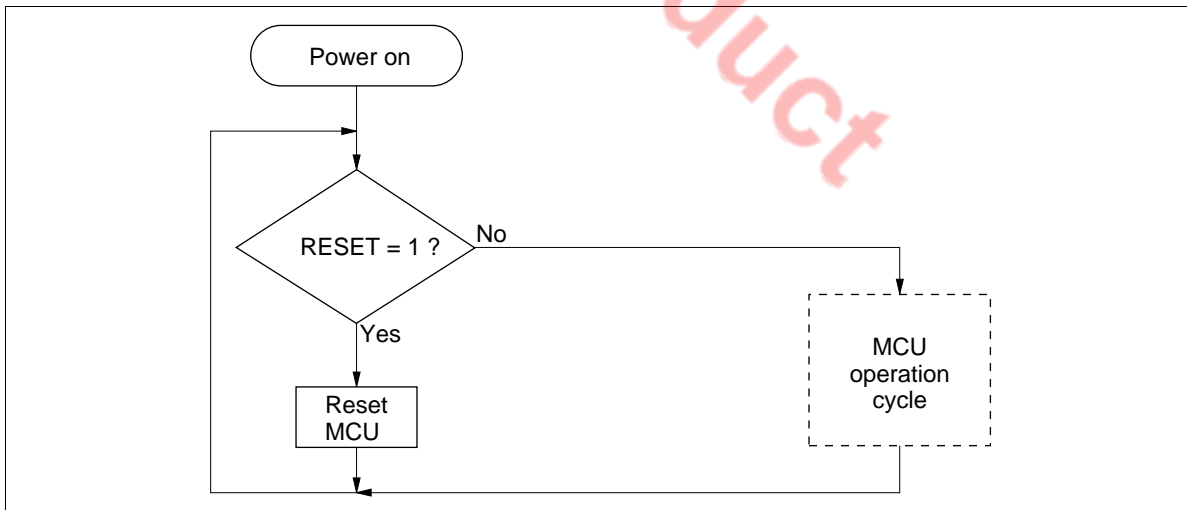


Figure 16 MCU Operating Sequence (power on)

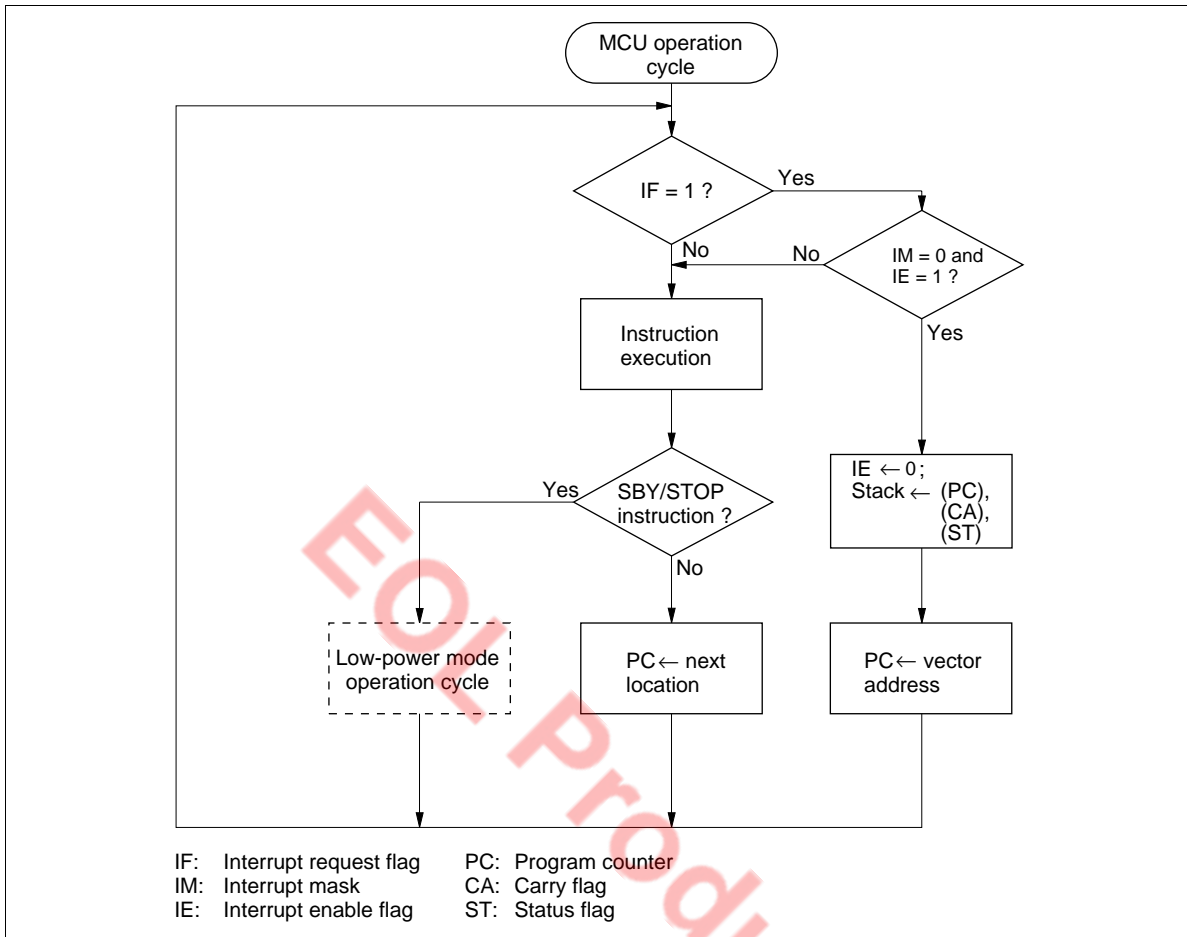
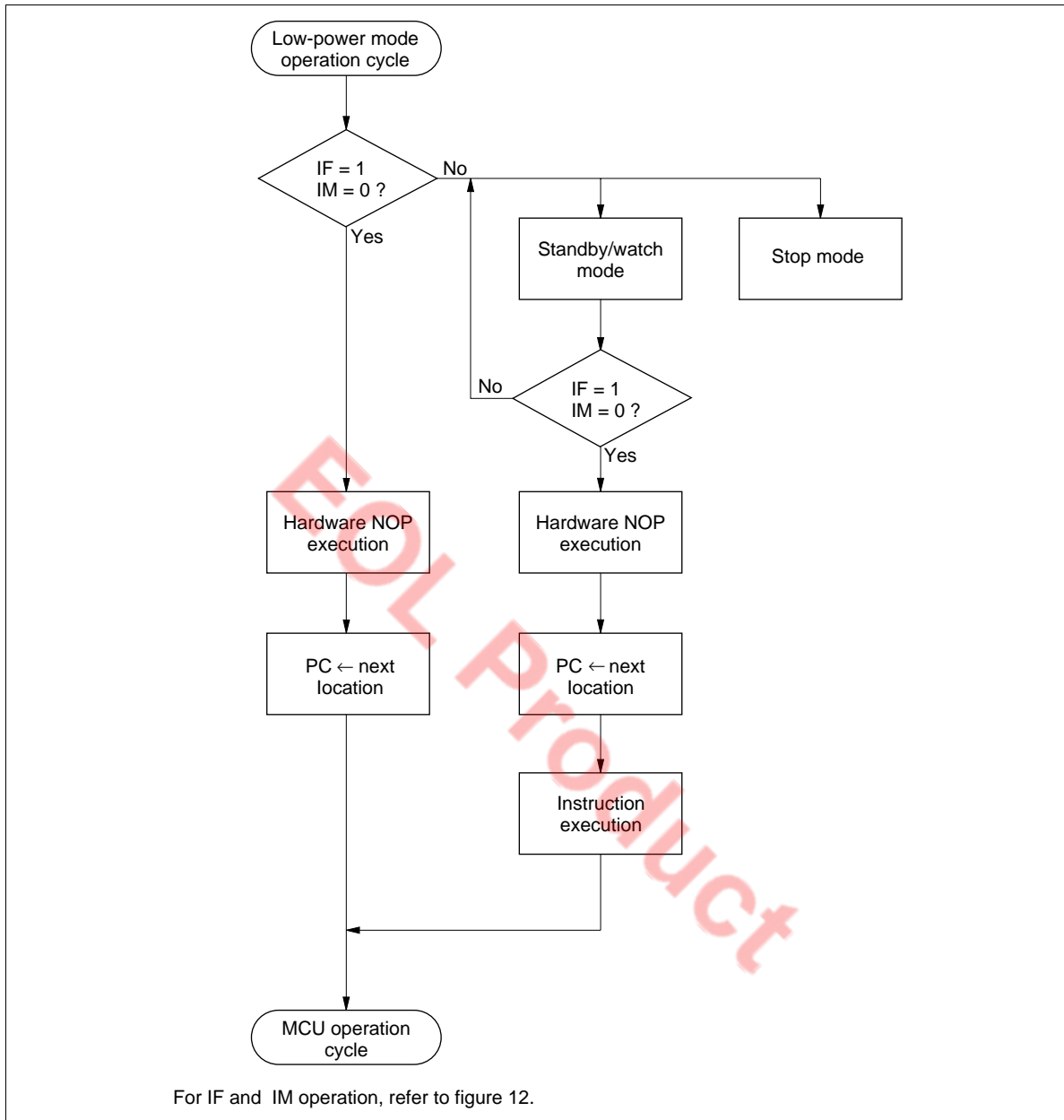


Figure 17 MCU Operating Sequence (MCU operation cycle)



**Figure 18 MCU Operating Sequence (low-power mode operation)**

**Notes on Use:**

- In subactive mode, the timer A interrupt request or the external interrupt request ( $\overline{INT}_0$ ) occurs in synchronism with the interrupt strobe.  
If the STOP or SBY instruction is executed at the same time with the interrupt strobe, these interrupt requests will be cancelled and the corresponding interrupt request flags (IFTA, IF0) will not be set.  
In subactive mode, do not use the STOP or SBY instruction at the time of the interrupt strobe.

## HD404618 Series

- When the MCU is in watch mode or subactive mode, if the high level period before the falling edge of  $\overline{INT}_0$  is shorter than the interrupt frame,  $\overline{INT}_0$  is not detected. Also, if the low level period after the falling edge of  $\overline{INT}_0$  is shorter than the interrupt frame,  $\overline{INT}_0$  is not detected.

Edge detection is shown in figure 19. The level of the  $\overline{INT}_0$  signal is sampled by a sampling clock. When this sampled value changes to low from high, a falling edge is detected.

In figure 20, the level of the  $\overline{INT}_0$  signal is sampled by an interrupt frame. In (a) the sampled value is low at point A, and also low at point B. Therefore, a falling edge is not detected. In (b), the sampled value is high at point A, and also high at point B. A falling edge is not detected in this case either.

- When the MCU is in watch mode or subactive mode, keep the high level and low level period of  $\overline{INT}_0$  longer than interrupt frame.

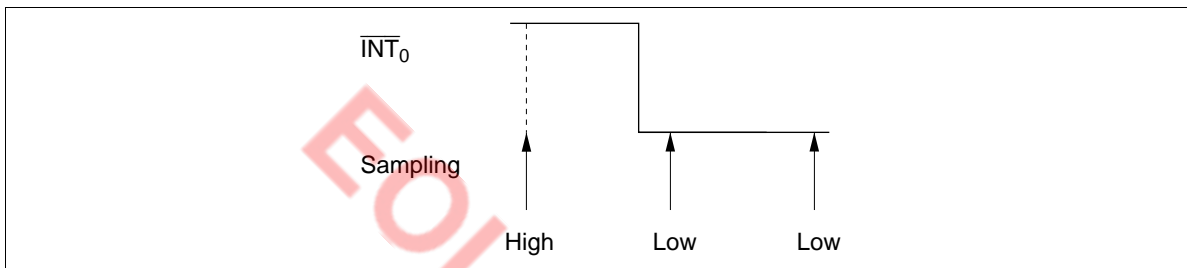


Figure 19 Edge Detection

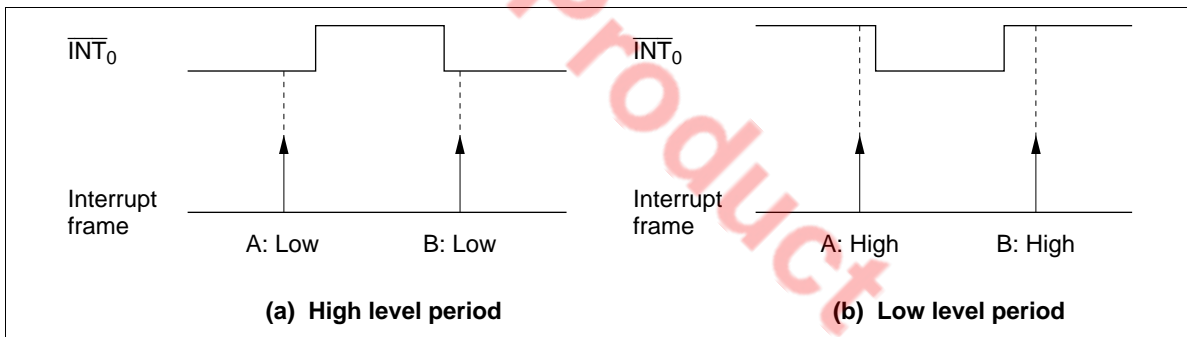


Figure 20 Sampling Example

### Internal Oscillator Circuit

Figure 21 shows a block diagram of the internal oscillator circuit. A ceramic oscillator can be connected to OSC<sub>1</sub> and OSC<sub>2</sub>, and a 32.768-kHz crystal oscillator can be connected to X1 and X2. The system oscillator can also be operated by an external clock.

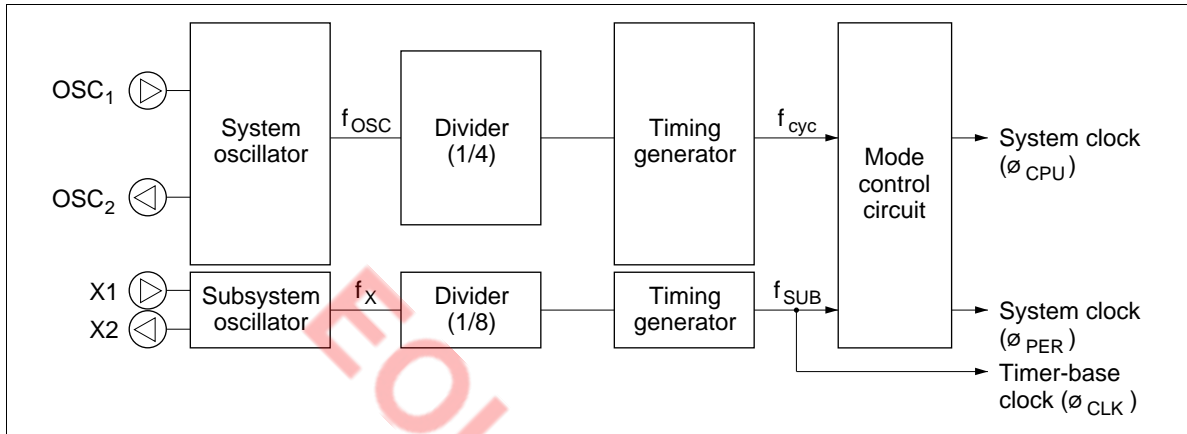


Figure 21 Internal Oscillator Circuit

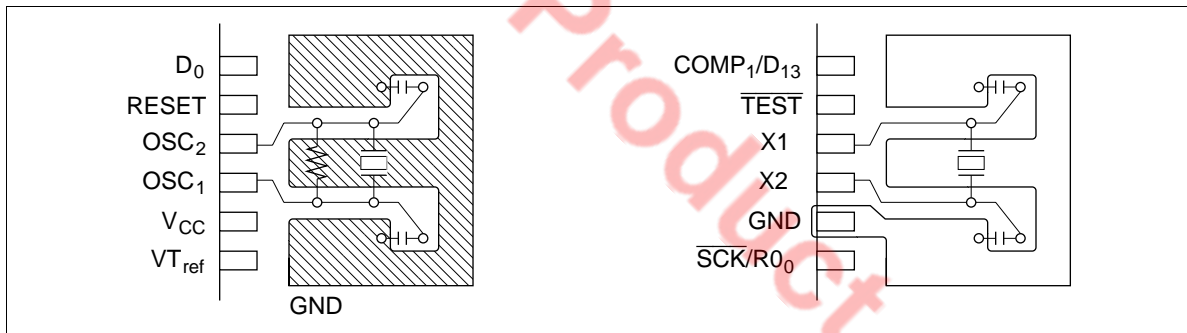
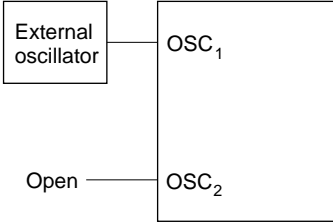
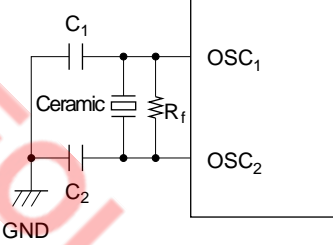
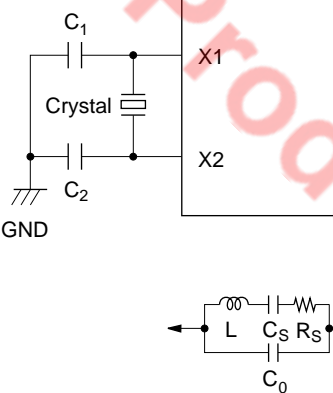
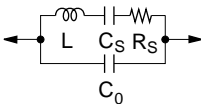


Figure 22 Layout of Crystal and Ceramic Oscillators

# HD404618 Series

**Table 18 Oscillator Circuit Examples**

Circuit Configuration	Circuit Constants
External clock operation (OSC <sub>1</sub> , OSC <sub>2</sub> )	
Ceramic oscillator (OSC <sub>1</sub> , OSC <sub>2</sub> )	 <p data-bbox="971 684 1336 926">           Ceramic oscillator: CSB400P22, CSB400P (Murata)  <math>R_f = 1\text{ M}\Omega \pm 20\%</math>  <math>C_1 = C_2 = 220\text{ pF} \pm 5\%</math>            Ceramic oscillator: CSB800J122, CSB800J (Murata)  <math>R_f = 1\text{ M}\Omega \pm 20\%</math>  <math>C_1 = C_2 = 220\text{ pF} \pm 5\%</math> </p>
Crystal oscillator	 <p data-bbox="971 1010 1336 1400">           Crystal: 32.768 kHz: MX38T (Nippon Denpa Kogyo)  <math>R_s = 14\text{ k}\Omega</math>  <math>C_0 = 1.5\text{ pF}</math>  <math>C_1 = 20\text{ pF} \pm 20\%</math>  <math>C_2 = 20\text{ pF} \pm 20\%</math> </p> 

- Notes:
- The circuit constants given above are recommended values provided by the oscillator manufacturer. Since they may be affected by stray capacitances from the oscillator or board, consult the crystal or ceramic oscillator manufacturer to determine the actual circuit parameters required.
  - Wiring between the OSC<sub>1</sub>/OSC<sub>2</sub> pins (X1, X2 pins) and other elements must be as short as possible, and must not cross other wiring. Refer to the recommended layout of the crystal and ceramic oscillator in figure 22.
  - If a 32.768-kHz crystal oscillator is not used, fix the X1 pin to V<sub>CC</sub> and leave the X2 pin open.



## Input/Output

The MCU provides 26 input/output pins and 4 input pins, including 10 high-current pins (15 mA, max.). A program-controlled pull-up MOS transistor is provided for each input/output pin.

The output buffer is turned on and off by the data control register (DCR) during input through an input/output pin.

I/O pin circuit types are shown in table 19.

**D Ports (D<sub>0</sub>–D<sub>13</sub>):** Consist of ten 1-bit input/output pins and four input pins. Pins D<sub>0</sub>–D<sub>9</sub> are high-current I/O pins (15 mA, max.). The sum current of the pins can go up to 100 mA. These pins are set by the SED and SEDD instructions, reset by the RED and REDD instructions, and tested by the TD and TDD instructions. Output data is stored in the port data register.

The on/off status of the output buffer is controlled by D port data control registers (DCRB, DCRC, and DCRD) that are mapped to the memory address area. Pins D<sub>10</sub>–D<sub>13</sub> are input-only pins.

Two operating modes are available to pins D<sub>12</sub> and D<sub>13</sub>: digital input mode and analog input mode. The operating modes are set by bits 0 and 1 of port mode register B (PMRB). In the digital input mode, these pins can be used as input pins with the same input characteristics as the I/O pins. In the analog input mode, the result of a comparison with the reference voltage can be read as input data. The reference voltage is input by the D<sub>11</sub>/V<sub>Cref</sub> pin.

**R Ports:** Consist of sixteen 4-bit I/O ports. Data is input to these ports by the LAR and LBR instructions and output from them by the LRA and LRB instructions.

The on/off status of the output buffers of the R ports are controlled by R port data control registers (DCR0–DCR3) that are mapped to memory addresses.

Pins R<sub>0</sub>, R<sub>1</sub>, and R<sub>2</sub> are multiplexed with pins  $\overline{SCK}$ , SI, and SO, respectively.

Pins R<sub>3</sub>, R<sub>3</sub>, and R<sub>3</sub> are multiplexed with TIMO,  $\overline{INT}_0$ , and  $\overline{INT}_1$ , respectively. Refer to figure 24.

**Pull-Up MOS Transistor Control:** A program-controlled pull-up MOS transistor is provided for each input/output pin.

The on/off status of all these transistors is controlled by bit 3 of port mode register B (PMRB), and the on/off status of an individual transistor can also be controlled by the port data register (PDR) of the corresponding pin. This enables on/off control of each individual pin. Refer to table 20.

The on/off status of each transistor and the peripheral function mode of each pin can be set independently.

**How to Deal with Unused I/O Pins:** I/O pins that are not needed by the user system must be connected to V<sub>CC</sub> to prevent LSI malfunctions due to noise. These pins must either be pulled up to V<sub>CC</sub> by their pull-up transistors or by resistors of about 100 k $\Omega$ .

# HD404618 Series

**Table 19 Circuit Configurations of I/O Pins**

I/O Pin Type	Circuit	Applicable Pins
Common I/O pin (with pull-up MOS transistor)		$D_0-D_9$ $R0_0-R0_3$ $R1_0-R1_3$ $R2_0-R2_3$ $R3_0-R3_3$
		SCK
Output pin (with pull-up MOS transistor)		SO, TIMO
Input pin		$\overline{INT}_0$ , $\overline{INT}_1$ SI
		$D_{10}$ $D_{11}/V_{Cref}$
		$D_{12}/COMP_0$ $D_{13}/COMP_1$ (multiplexed with analog inputs)

Note: Refer to table 20, note 3 concerning  $R0_2/SO$ .

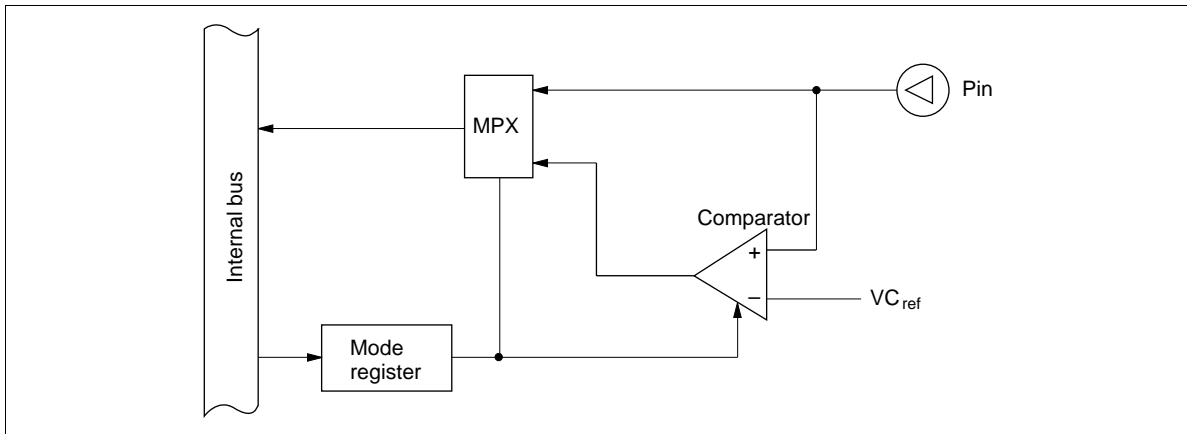
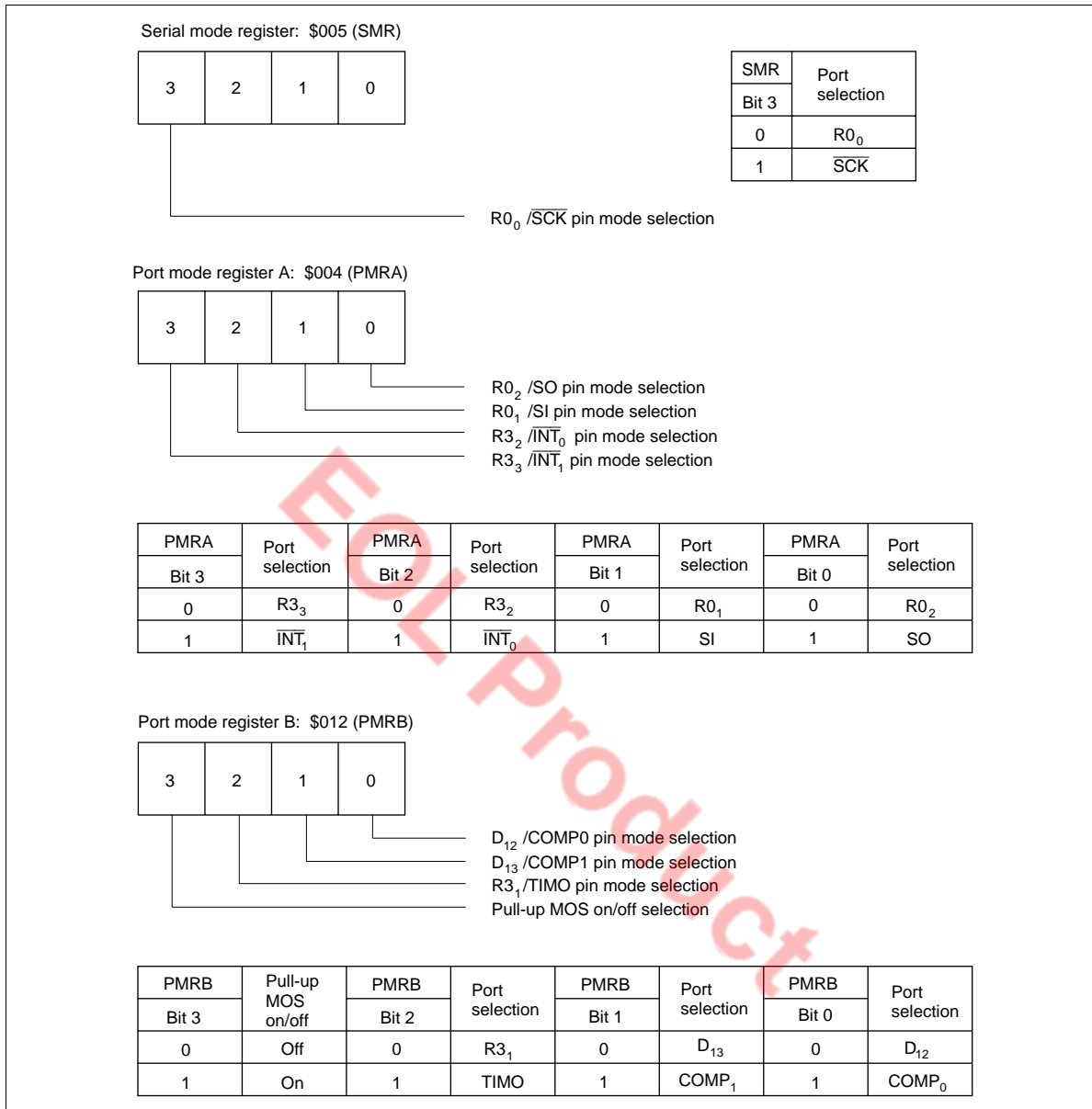


Figure 23 Configuration of D<sub>12</sub> and D<sub>13</sub>

EOL Product

# HD404618 Series



**Figure 24 I/O Switching Mode Registers**

**Table 20 Programmable I/O Circuits**

PMRB Bit 3 (PMRB3)		0				1			
DCR		0	1	0	1	0	1	0	1
PDR		0	1	0	1	0	1	0	1
CMOS Buffer	PMOS (A)	—	—	—	On	—	—	—	On
	NMOS (B)	—	—	On	—	—	—	On	—
Pull-up MOS Transistor		—	—	—	—	—	On	—	On

- Notes: 1. —: Off
2. Various I/O methods can be selected by different combinations of settings of the above mode registers (PMRB3, DCR, PDR).
3. The PMOS (A) transistor of the R1<sub>2</sub>/SO pin can be turned off by setting bit 2 of the miscellaneous register (MIS) to 1.

MIS	
Bit 2	R0 <sub>2</sub> /SO Pin PMOS (A)
0	On
1	Off

4. The relationships between DCRs and pins are as shown below.

DCR	Bit 3	Bit 2	Bit 1	Bit 0
DCR0	R0 <sub>3</sub>	R0 <sub>2</sub>	R0 <sub>1</sub>	R0 <sub>0</sub>
DCR1	R1 <sub>3</sub>	R1 <sub>2</sub>	R1 <sub>1</sub>	R1 <sub>0</sub>
DCR2	R2 <sub>3</sub>	R2 <sub>2</sub>	R2 <sub>1</sub>	R2 <sub>0</sub>
DCR3	R3 <sub>3</sub>	R3 <sub>2</sub>	R3 <sub>1</sub>	R3 <sub>0</sub>
DCRB	D <sub>3</sub>	D <sub>2</sub>	D <sub>1</sub>	D <sub>0</sub>
DCRC	D <sub>7</sub>	D <sub>6</sub>	D <sub>5</sub>	D <sub>4</sub>
DCRD	—	—	D <sub>9</sub>	D <sub>8</sub>

## HD404618 Series

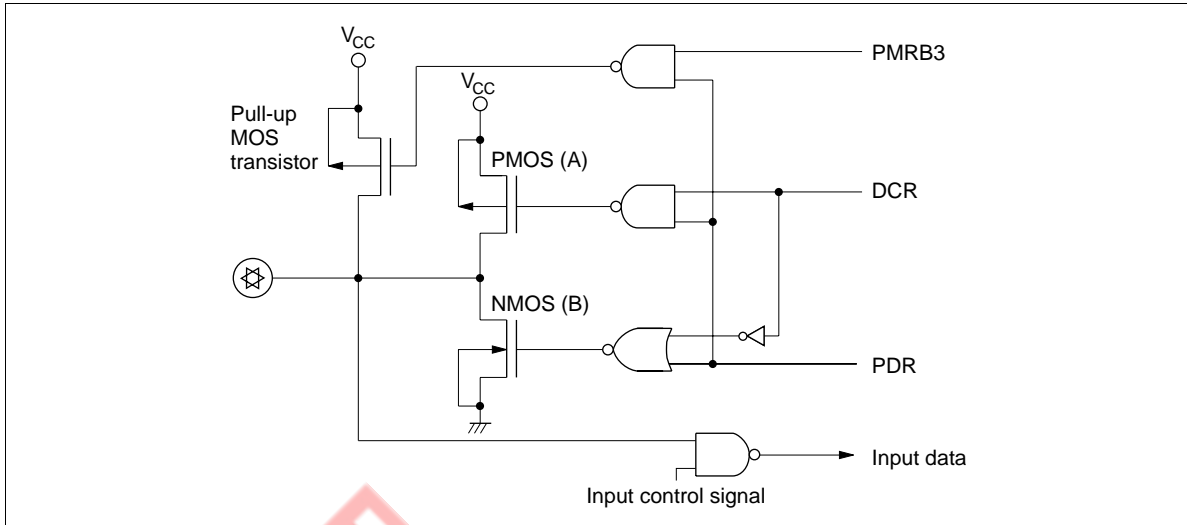


Figure 25 I/O Buffer Configuration

**Timers**

The MCU has two prescalers (S and W) and three timer/counters (A, B, and C). Figures 26, 27 and 28 show their diagrams.

**Prescaler S:** Eleven-bit counter that inputs the system clock signal. After being initialized to \$000 by MCU reset, prescaler S divides the system clock. Prescaler S keeps counting, except at MCU reset and in the stop and watch modes. Of the prescaler S outputs, timer A input clock, timer B input clock, timer C input clock, and serial interface transmit clock are selected by timer mode register A (TMA), timer mode register B (TMB), timer mode register C (TMC), and the serial mode register (SMR), respectively.

**Prescaler W:** Five-bit counter that inputs the X1 input clock signal divided by eight. Prescaler W output can be selected as a timer A input clock by timer mode register A (TMA).

**Timer A:** Eight-bit timer that can be used as a clock time-base (figure 26). It is initialized to \$00 and incremented at each clock input. If an input clock is applied to timer A after it has reached \$FF, an overflow that sets the timer A interrupt request flag (IFTA: \$001, bit 2) is generated, and timer A restarts from \$00.

Timer A is used to generate regular interrupts (every 256 clocks) for measuring times between events. It can also be used as a clock time-base when bit 3 of timer mode register A (TMA) is set to 1. The timer is driven by the 32-kHz oscillator clock frequency divided by prescaler W, and the clock input to timer A is controlled by TMA. In this case, prescaler W and timer A can be initialized to \$00 by software.

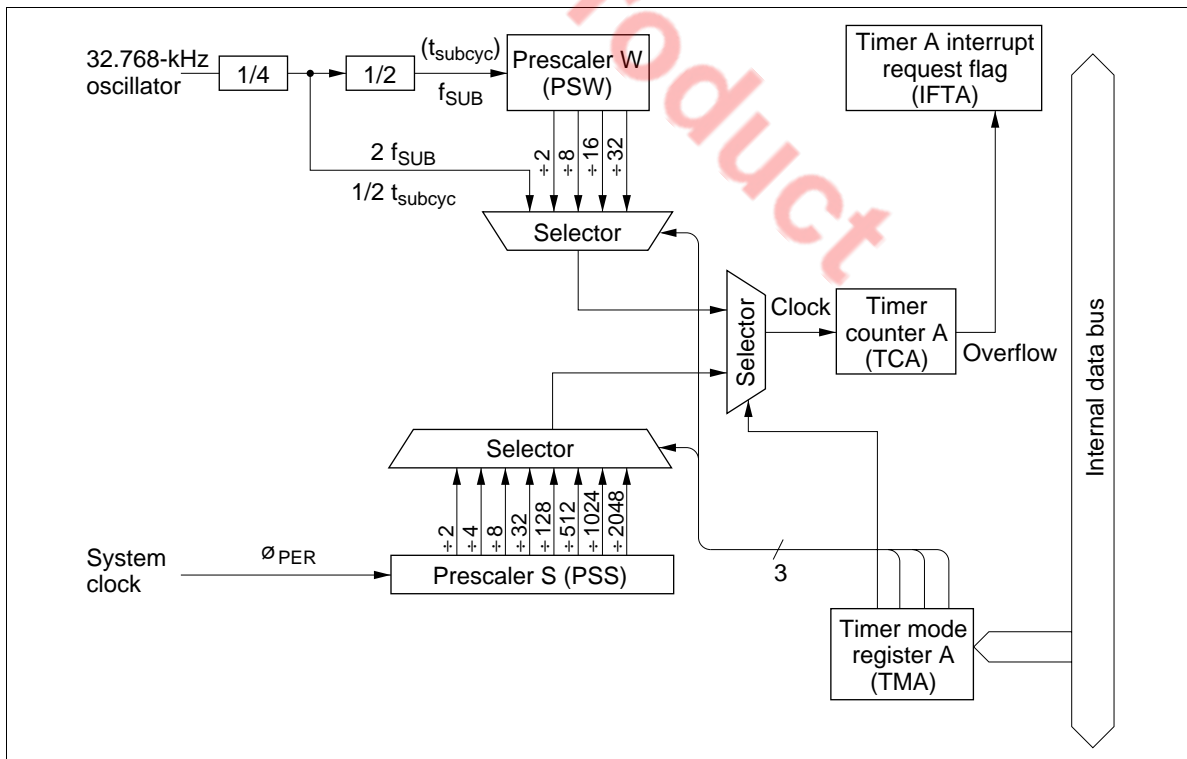


Figure 26 Timer A Block Diagram

---

## HD404618 Series

---

**Timer B (TCBL and TLRL: \$00A, TCBU and TLRU: \$00B):** Eight-bit write-only timer load register (TLRL and TLRU) and read-only timer counter (TCBL and TCBU) located at the same addresses. The eight-bit configuration consists of lower and upper 4-bit digits located at sequential addresses. A block diagram of timer B is shown in figure 27.

Timer counter B is initialized by writing to timer load register B (TLR). In this case, the lower digit must be written to first. The contents of TLR are loaded into the timer counter at the same time the upper digit is written to, initializing the timer counter. TLR is initialized to \$00 by MCU reset.

The count of timer B is obtained by reading timer counter B. In this case, the upper digit must be read first; the count is latched when the upper digit is read.

An auto-reload function, input clock source, and prescaler division ratio of timer B depend on the state of timer mode register B (TMB). When an external event input is used as the input clock source of TMB, the R3/ $\overline{\text{INT}}_1$  pin must be set to  $\overline{\text{INT}}_1$  by setting port mode register A (PMRA: \$004).

Timer B is initialized to the value set in TMB by software, and is then incremented by one each clock input. If an input is applied to timer B after it has reached \$FF, an overflow is generated. In this case, if the auto-reload function is enabled, timer B is initialized to its initial value; if auto-reload is disabled, the timer is initialized to \$00. The overflow sets the timer B interrupt request flag (IFTB: \$002, bit 0).



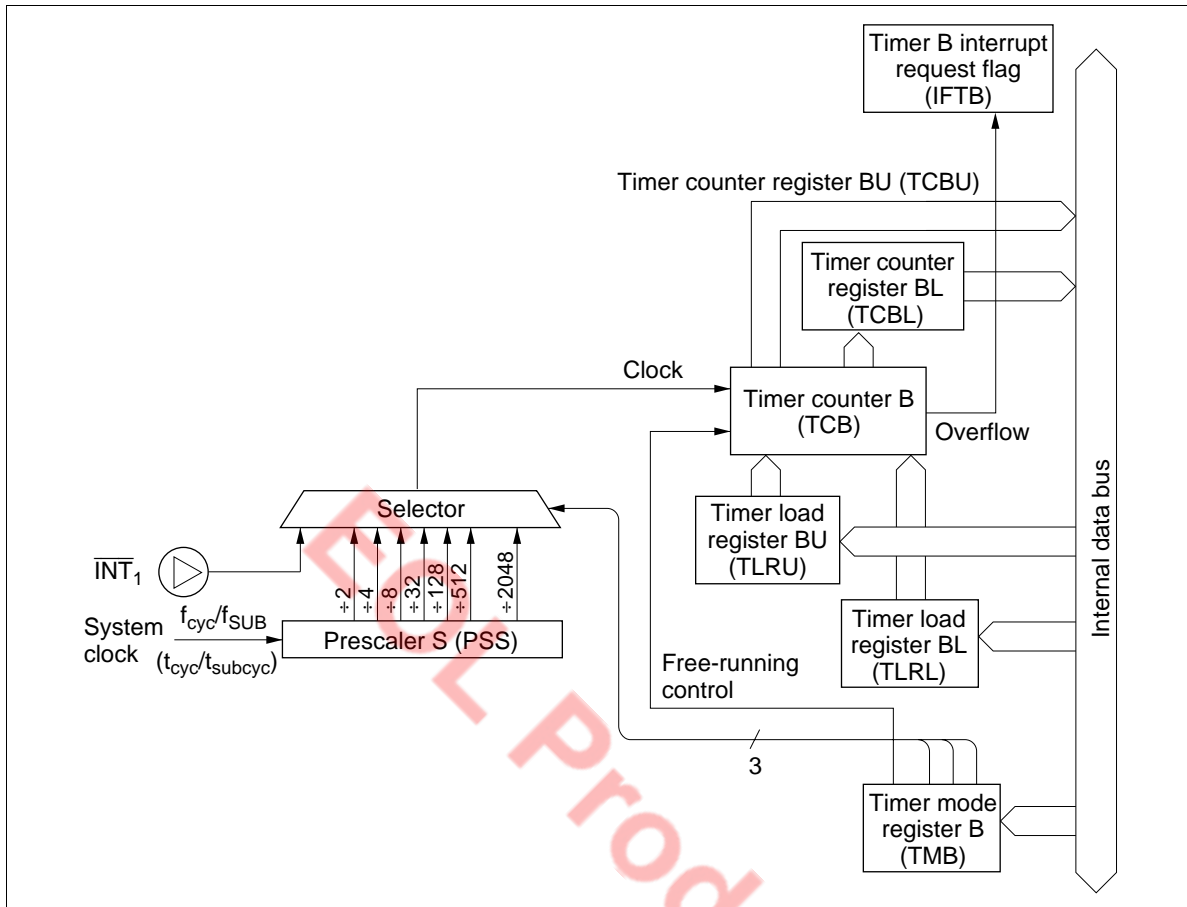


Figure 27 Timer B Block Diagram

**Timer C (TCCL and TCRL: \$00E, TCCU and TCRU: \$00F):** Eight-bit write-only timer load register (TCRL and TCRU) and read-only timer counter (TCCL and TCCU) located at the same addresses. The eight-bit configuration consists of lower and upper 4-bit digits located at sequential addresses. The operation of timer C is basically the same as that of timer B.

The auto-reload function and prescaler division ratio of timer C depend on the state of timer mode register C (TMC). Timer C is initialized to the value set in TMC by software, and is then incremented by one at each clock input. If an input is applied to timer C after it has reached \$FF, an overflow is generated. In this case, if the auto-reload function is enabled, timer C is initialized to its initial value; if auto-reload is disabled, the timer is initialized to \$00. The overflow sets the timer C interrupt request flag (IFTC: \$002, bit 2).

Timer C also functions as a watchdog timer. If a program routine runs out of control and an overflow is generated while the watchdog on (WDON) flag is set, the MCU is reset. This error can be detected by having the program control timer C reset before timer C reaches \$FF.

The WDON can only have 1 written to it ; it is cleared to 0 only by MCU reset.

**Timer Mode Register A (TMA: \$008):** Four-bit write-only register that controls timer A as shown in table 21.

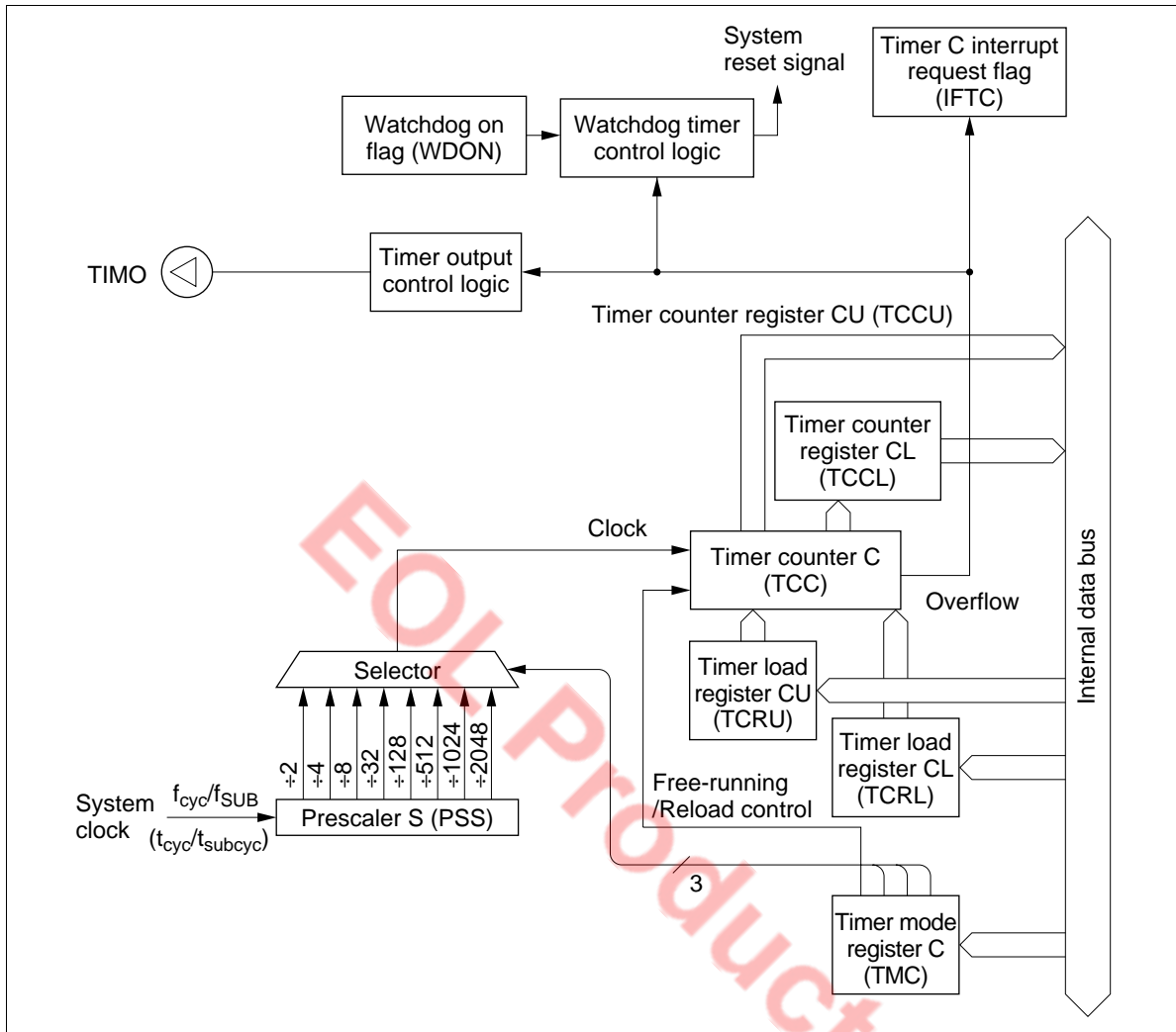


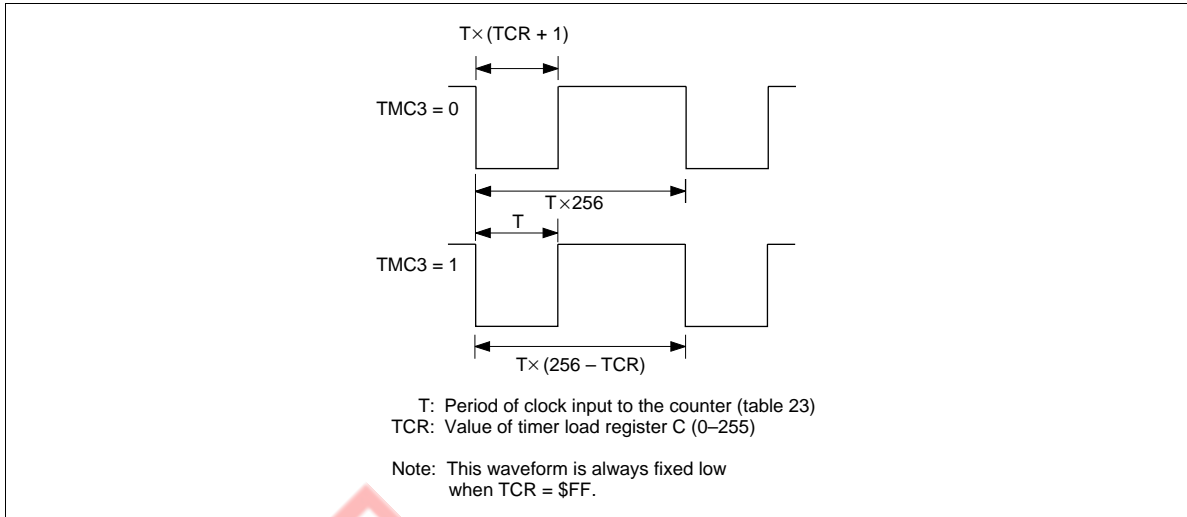
Figure 28 Timer C Block Diagram

Table 21 Timer Mode Register A

TMA

Bit 3	Bit 2	Bit 1	Bit 0	Source Prescaler, Input Clock Period, Operating Mode	
0	0	0	0	PSS, 2048 $t_{cyc}$	Timer A mode
			1	PSS, 1024 $t_{cyc}$	
		1	0	PSS, 512 $t_{cyc}$	
			1	PSS, 128 $t_{cyc}$	
	1	0	0	PSS, 32 $t_{cyc}$	
			1	PSS, 8 $t_{cyc}$	
		1	0	PSS, 4 $t_{cyc}$	
			1	PSS, 2 $t_{cyc}$	
1	0	0	0	PSW, 32 $t_{subcyc}$	Time-base mode
			1	PSW, 16 $t_{subcyc}$	
		1	0	PSW, 8 $t_{subcyc}$	
			1	PSW, 2 $t_{subcyc}$	
	1	0	0	PSW, 1/2 $t_{subcyc}$	
			1	Not used	
		1	0	PSW, TCA reset	
			1		

- Notes:
- $t_{subcyc} = 244.14 \mu s$  (when 32.768-kHz crystal oscillator is used)
  - Timer counter overflow output period(s) = input clock period(s)  $\times$  256
  - If PSW or TCA reset is selected while the LCD is operating, LCD operation halts (power switch goes off).  
When LCD is connected for display, the PSW and TCA reset periods must be set in the program to the minimum.
  - In time base mode, the timer counter overflow output cycle must be greater than half of the interrupt frame period ( $T/2 = t_{RC}$ ).  
If 1/2  $t_{subcyc}$  is selected,  $t_{RC}$  must be 7.8125 ms ((MIS1, MIS0) = (0, 1), see figure 14).
  - The division ratio must not be modified during time-base mode operation, otherwise an overflow cycle error will occur.



**Figure 29 Variable-Duty Pulse Output Waveform**

**Timer Mode Register B (TMB: \$009):** Four-bit write-only register that selects the auto-reload function, the prescaler division ratio, and input clock source as shown in table 22. Timer mode register B is initialized to \$0 by MCU reset.

Writing to this register is valid from the second instruction execution cycle. Timer B initialization set by writing to TMB must be done after a mode change becomes valid.

**Table 22 Timer Mode Register B**

**TMB**

Bit 3	Auto-Reload Function
0	Disabled
1	Enabled

**TMB**

Bit 2	Bit 1	Bit 0	Prescaler Division Ratio, Clock Input Source
0	0	0	÷ 2048
0	0	1	÷ 512
0	1	0	÷ 128
0	1	1	÷ 32
1	0	0	÷ 8
1	0	1	÷ 4
1	1	0	÷ 2
1	1	1	$\overline{\text{INT}}_1$ (external event input)

**Timer Mode Register C (TMC: \$00D):** Four-bit write-only register that selects the auto-reload function and prescaler division ratio as shown in table 23. Timer mode register C is initialized to \$0 by MCU reset.

Writing to this register is valid from the second instruction execution cycle. Timer C initialization set by writing to TMC must be done after a mode change becomes valid.

**Table 23 Timer Mode Register C**

**TMC**

Bit 3	Auto-Reload Function
0	Disabled
1	Enabled

**TMC**

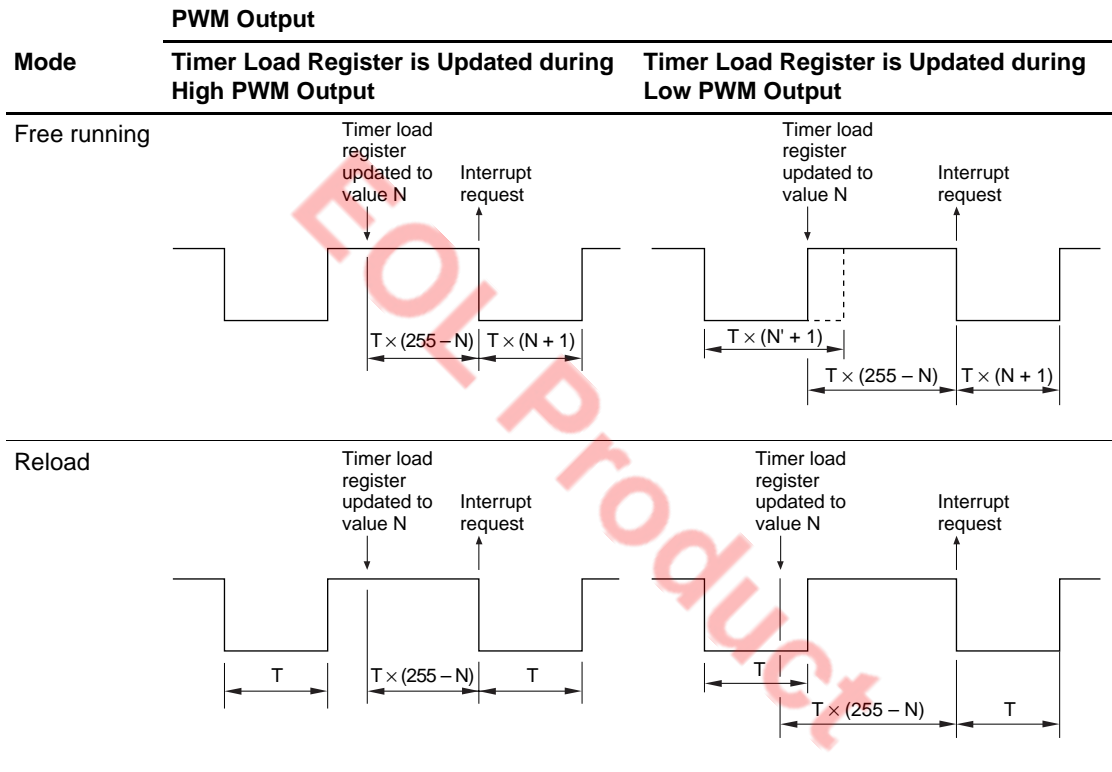
Bit 2	Bit 1	Bit 0	Prescaler Division Ratio, Clock Input Source
0	0	0	÷ 2048
0	0	1	÷ 1024
0	1	0	÷ 512
0	1	1	÷ 128
1	0	0	÷ 32
1	0	1	÷ 8
1	1	0	÷ 4
1	1	1	÷ 2

# HD404618 Series

## Note on Use

When using the timer output as PWM output, note the following point. From the update of the timer write register until the occurrence of the overflow interrupt, the PWM output differs from the period and duty settings, as shown in table 24. The PWM output should therefore not be used until after the overflow interrupt following the update of the timer write register. After the overflow, the PWM output will have the set period and duty cycle.

**Table 24 PWM Output Following Update of Timer Write Register**

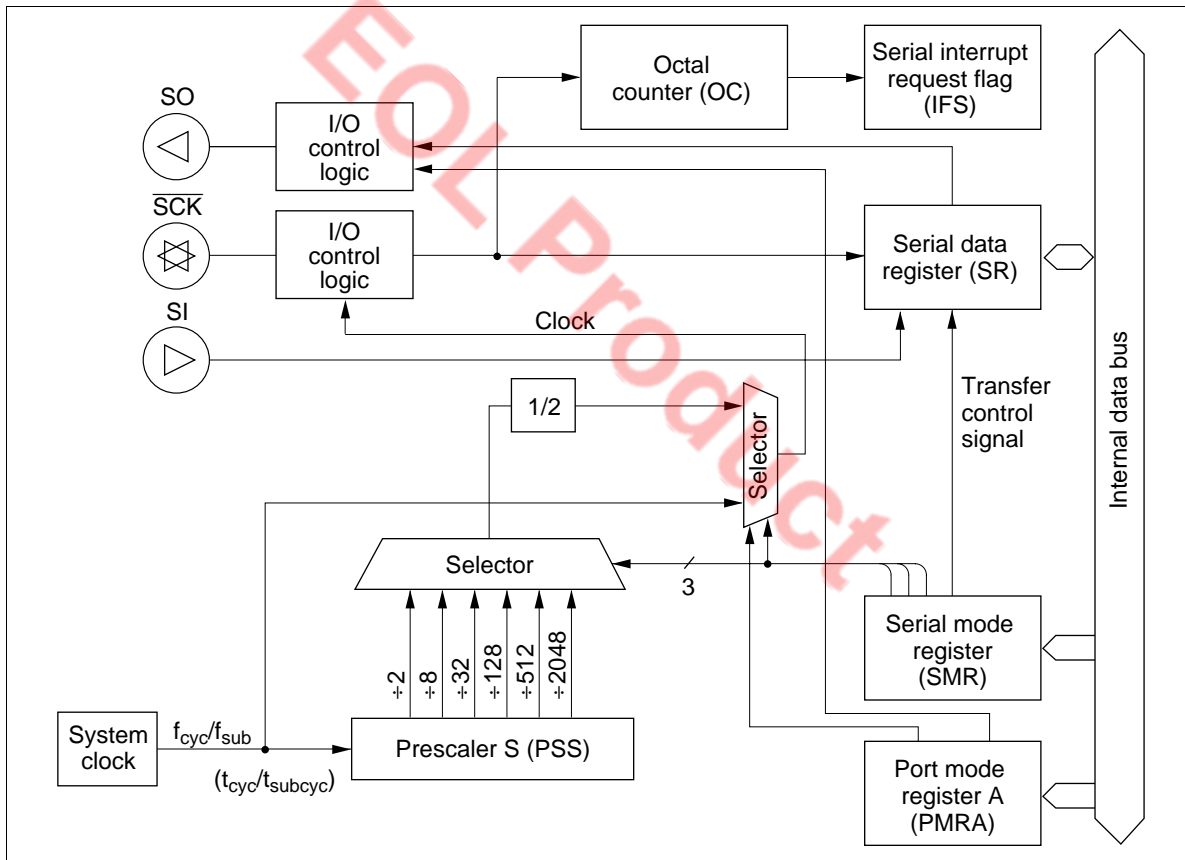


**Serial Interface**

The MCU has a clock-synchronous serial interface which transmits and receives 8-bit data.

The serial interface consists of a serial data register (SR), serial mode register (SMR), port mode register A (PMRA), octal counter, and multiplexers (see figure 30). The  $R0_0/\overline{SCK}$  pin and the transmit clock are controlled by writing to the SMR. The transmit clock shifts the contents of the SR, which can be read and written to by software.

The serial interface is activated by the STS instruction. The octal counter is reset to 000 by this instruction, starts counting at the falling edge of the transmit clock ( $\overline{SCK}$ ), and it increments at the rising edge of the clock. A serial interrupt request flag is set when the eighth transmit clock signal is input (the serial interface is reset) or when serial transmission is discontinued (the octal counter is reset).



**Figure 30 Serial Interface Block Diagram**

**Serial Mode Register (SMR: \$005):** Four-bit write-only register that controls the  $R0_0/\overline{SCK}$  pin, prescaler division ratio, and transmit clock source (table 25 and figure 31). Writing to this register initializes the serial interface.

## HD404618 Series

A write signal input to the serial mode register discontinues the input of the transmit clock to the serial data register and octal counter. Therefore, if a write is performed during data transmission, the octal counter is reset to 000 to stop transmission, and at the same time, the serial interrupt request flag is set.

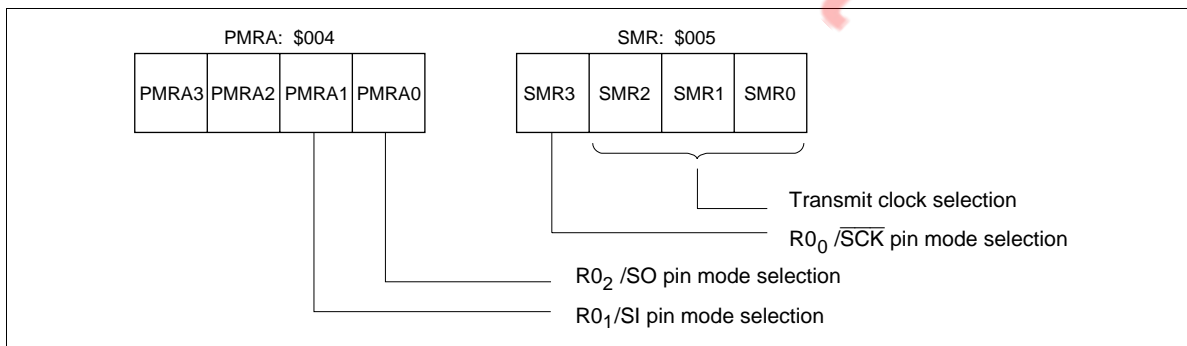
Write operations are valid from the second instruction execution cycle, so the STS instruction must be executed after at least two cycles have been executed. The serial mode register is initialized to \$0 by MCU reset.

**Table 25 Serial Mode Register**

### SMR

Bit 3	R0 <sub>0</sub> /SCK Pin
0	R0 <sub>0</sub> port input/output pin
1	$\overline{\text{SCK}}$ input/output pin

SMR			Transmit Clock			
Bit 2	Bit 1	Bit 0	R0 <sub>0</sub> /SCK Pin	Clock Source	Prescaler Division Ratio	System Clock Division Ratio
0	0	0	$\overline{\text{SCK}}$ output	Prescaler	÷ 2048	÷ 4096
0	0	1	$\overline{\text{SCK}}$ output	Prescaler	÷ 512	÷ 1024
0	1	0	$\overline{\text{SCK}}$ output	Prescaler	÷ 128	÷ 256
0	1	1	$\overline{\text{SCK}}$ output	Prescaler	÷ 32	÷ 64
1	0	0	$\overline{\text{SCK}}$ output	Prescaler	÷ 8	÷ 16
1	0	1	$\overline{\text{SCK}}$ output	Prescaler	÷ 2	÷ 4
1	1	0	$\overline{\text{SCK}}$ output	System clock	—	÷ 1
1	1	1	$\overline{\text{SCK}}$ input	External clock	—	—



**Figure 31 Configurations and Functions of the Mode Registers**



**Serial Data Register (SRL: \$006, SRU: \$007):** Eight-bit read/write register separated into upper and lower digits located at sequential addresses.

Data in this register is output from the SO pin, LSB first, in synchronism with the falling edge of the transmit clock, and data is input LSB first through the SI pin at the rising edge of the transmit clock. Input/output timing is shown in figure 32.

Data cannot be read or written during serial data transmission. If a read/write occurs during transmission, the accuracy of the resultant data cannot be guaranteed.

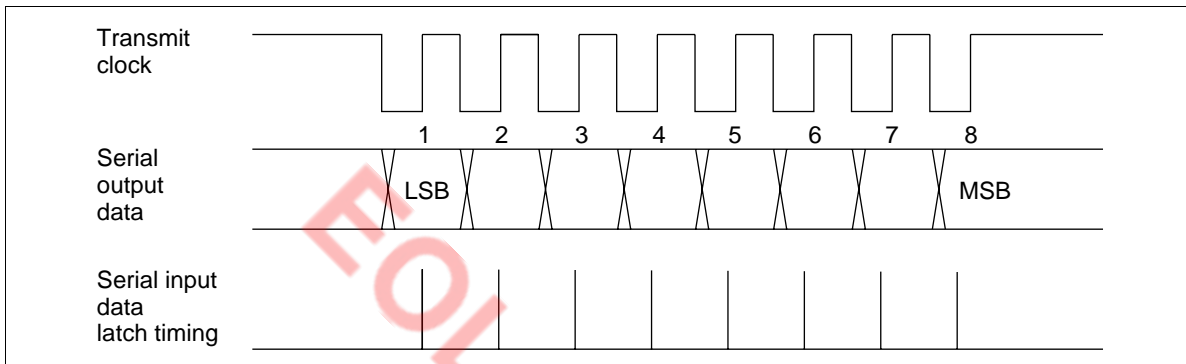


Figure 32 Serial Interface Timing

**Selecting and Changing Operating Mode:** Table 26 lists the serial interface operating modes. To select an operating mode, use one of these combinations of PMR and SMR settings; to change the operating mode, always initialize the serial interface internally by writing to the SMR.

Table 26 Serial Interface Operating Modes

SMR		PMRA		Operating Mode
Bit 3	Bit 1	Bit 0		
1	0	0		Continuous clock output mode
1	0	1		Transmit mode
1	1	0		Receive mode
1	1	1		Transmit/receive mode

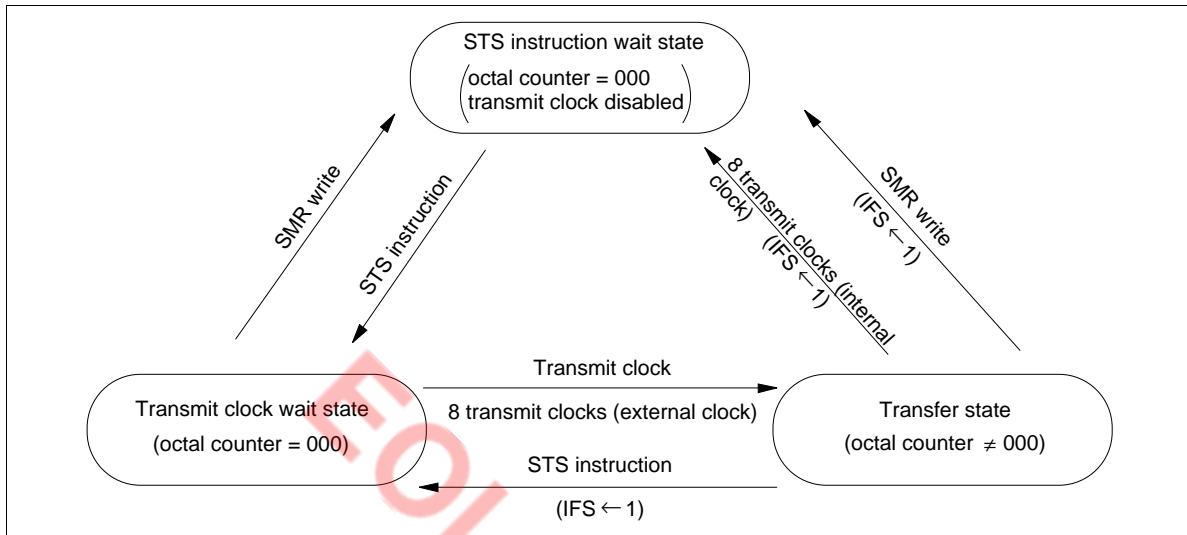
**Serial Interface Operation:** Three operating modes are provided for the serial interface; transitions between them are shown in figure 33.

In STS waiting state, the serial interface is initialized and the transmit clock is ignored. If the STS instruction is then executed, the serial interface enters transmit clock wait state.

In transmit clock wait state, input of the transmit clock increments the octal counter, shifts the serial clock register, and activates serial transmission. However, note that if clock output mode is selected, the transmit clock is continuously output but data is not transmitted.

## HD404618 Series

During transmission, the input of eight clocks or the execution of the STS instruction sets the octal counter to 000, and the serial interface enters transmit clock wait state. If the state changes from transmit to another state, the serial interrupt request flag is set by the octal counter reaching 000.



**Figure 33 Serial Interface Mode Transitions**

In this state, if the internal clock has been selected, the transmit clock is output in answer to the execution of the STS instruction, but serial transmission is inhibited after the eighth clock is output.

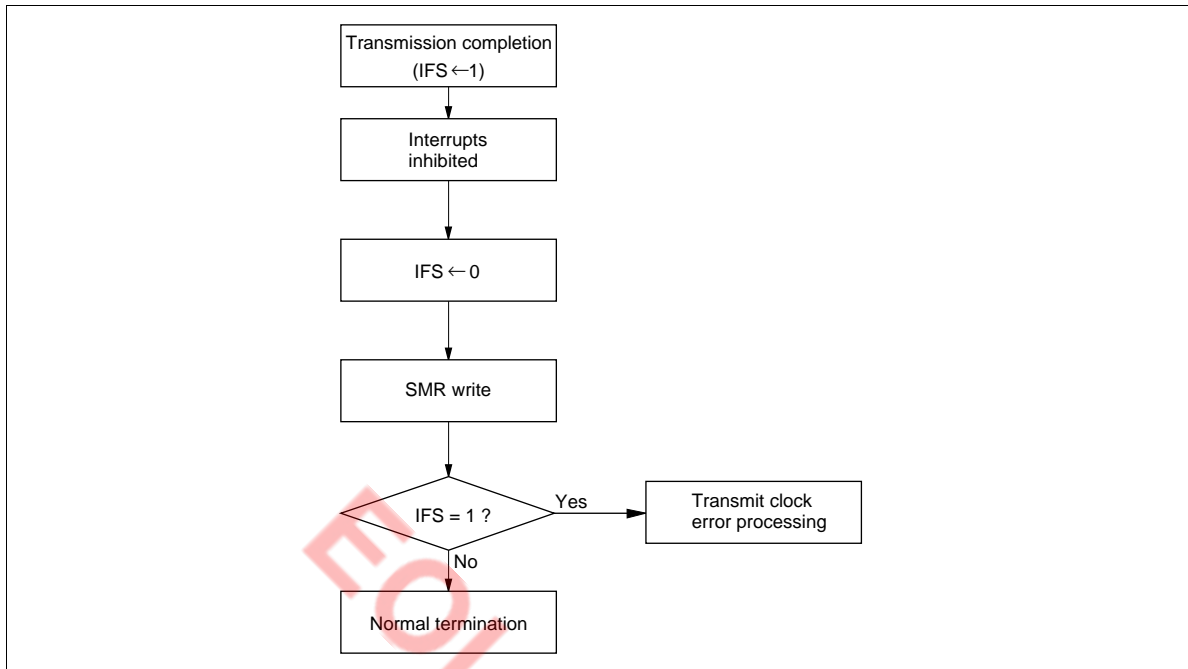
If port mode register A (PMRA) is written to in transmit clock wait state or during transmission, the serial mode register (SMR) must be written to, to initialize the serial interface. The serial interface then enters STS wait state.

If the serial interface shifts from transfer state to another state, the octal counter returns to 000, setting the serial interrupt request flag.

**Transmit Clock Error Detection:** The serial interface will malfunction if a spurious pulse caused by external noise conflicts with a normal transmit clock during transmission. A transmit clock error of this type can be detected as shown in figure 34.

If more than eight transmit clocks are input in transmit clock wait state, the serial interface state changes to transfer, transmit clock wait, then back to transfer.

If the serial interface is set to STS wait state by writing data to the SMR after the serial interrupt request flag has been reset, the flag is set again.



**Figure 34 Transmit Clock Error Detection**

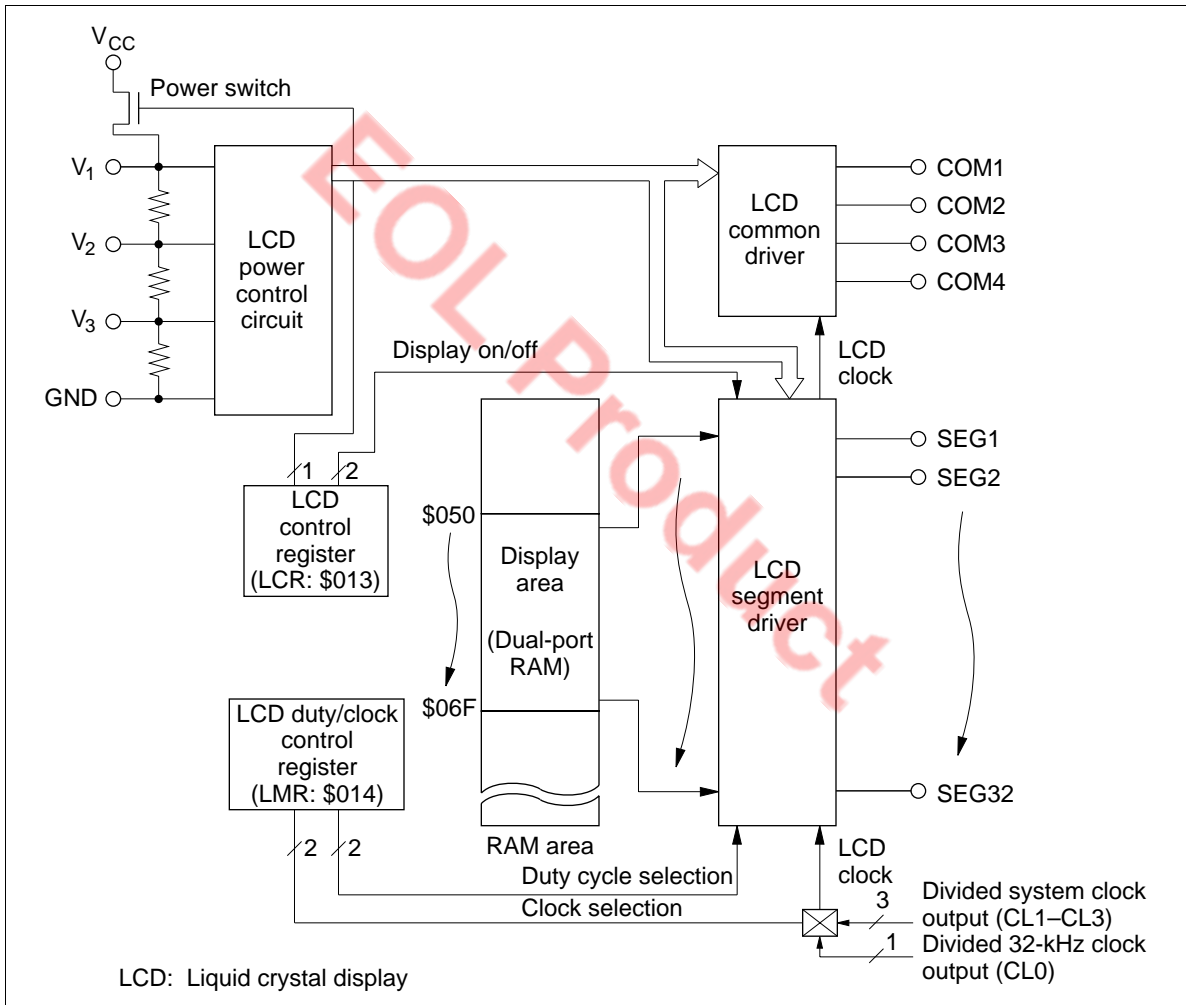
**Note on Use:** The serial interrupt request flag might not be set if the status is changed from transfer by the execution of an SMR write or STS instruction during the first period that the transmit clock is low. To prevent this, program a check that the SCK pin is at 1 (by executing an input instruction for the R1 port) before the execution of an SMR write or STS instruction, to ensure that the serial interrupt request flag is set.

## HD404618 Series

### Liquid Crystal Display (LCD)

The MCU has an LCD controller and driver which drive 4 common signal pins and 32 segment signal pins. The controller consists of a RAM area in which display data is stored, a display control register (LCR), and a duty/clock control register (LMR), as shown in figure 37.

Four duties and the LCD clock are program-controllable, and a built-in dual-port RAM ensures that display data can be automatically transmitted to the segment signal pins without program intervention. If a 32-kHz oscillation clock is selected as the LCD clock source, the LCD can be used even in watch mode, in which the system clock stops.



**Figure 35 Liquid Crystal Display Block Diagram**

**LCD Data Area and Segment Data (\$050– \$06F):** Figure 36 shows the configuration of LCD RAM area. Each bit of the storage area corresponds to one of four types of duties. If data is written to an area corresponding to a certain duty cycle, it is automatically output to the corresponding segments as display data.

	Bit 3	Bit 2	Bit 1	Bit 0		Bit 3	Bit 2	Bit 1	Bit 0		
80	SEG1	SEG1	SEG1	SEG1	\$050	96	SEG17	SEG17	SEG17	SEG17	\$060
81	SEG2	SEG2	SEG2	SEG2	\$051	97	SEG18	SEG18	SEG18	SEG18	\$061
82	SEG3	SEG3	SEG3	SEG3	\$052	98	SEG19	SEG19	SEG19	SEG19	\$062
83	SEG4	SEG4	SEG4	SEG4	\$053	99	SEG20	SEG20	SEG20	SEG20	\$063
84	SEG5	SEG5	SEG5	SEG5	\$054	100	SEG21	SEG21	SEG21	SEG21	\$064
85	SEG6	SEG6	SEG6	SEG6	\$055	101	SEG22	SEG22	SEG22	SEG22	\$065
86	SEG7	SEG7	SEG7	SEG7	\$056	102	SEG23	SEG23	SEG23	SEG23	\$066
87	SEG8	SEG8	SEG8	SEG8	\$057	103	SEG24	SEG24	SEG24	SEG24	\$067
88	SEG9	SEG9	SEG9	SEG9	\$058	104	SEG25	SEG25	SEG25	SEG25	\$068
89	SEG10	SEG10	SEG10	SEG10	\$059	105	SEG26	SEG26	SEG26	SEG26	\$069
90	SEG11	SEG11	SEG11	SEG11	\$05A	106	SEG27	SEG27	SEG27	SEG27	\$06A
91	SEG12	SEG12	SEG12	SEG12	\$05B	107	SEG28	SEG28	SEG28	SEG28	\$06B
92	SEG13	SEG13	SEG13	SEG13	\$05C	108	SEG29	SEG29	SEG29	SEG29	\$06C
93	SEG14	SEG14	SEG14	SEG14	\$05D	109	SEG30	SEG30	SEG30	SEG30	\$06D
94	SEG15	SEG15	SEG15	SEG15	\$05E	110	SEG31	SEG31	SEG31	SEG31	\$06E
95	SEG16	SEG16	SEG16	SEG16	\$05F	111	SEG32	SEG32	SEG32	SEG32	\$06F
	COM4	COM3	COM2	COM1			COM4	COM3	COM2	COM1	

Figure 36 Configuration of LCD RAM Area

**LCD Control Register (LCR: \$013):** Three-bit write-only register which controls LCD blanking, the turning on and off of the LCD's power supply division resistor, and display in watch and subactive modes (see table 27).

- Blank/display  
 Blank: Segment signals are turned off regardless of LCD RAM data setting.  
 Display: LCD RAM data is output as segment signals.
- Power switch on/off  
 Off: The power switch is off.  
 On: The power switch is on and  $V_1$  is  $V_{CC}$ .
- Watch/subactive mode display  
 Off: In watch and subactive modes, all common and segment pins are grounded and the liquid crystal power switch is turned off.  
 On: In watch and subactive modes, LCD RAM data is output as segment signals.

## HD404618 Series

**Table 27 LCD Control Register**

LCR	LCR	LCR			
Bit 2	Display in Watch Mode or Subactive Mode	Bit 1	Power Switch On/Off	Bit 0	Blank/Display
0	Off	0	Off	0	Blank
1	On	1	On	1	Display

Note: When using an LCD in watch mode or subactive mode, use the divided output of a 32-kHz oscillator as the LCD clock and set bit 2 of the LCR to 1. If using the divided output of the system clock as the LCD clock, always set bit 2 of the LCR to 0.

**LCD Duty/Clock Control Register (LMR: \$014):** Four-bit write-only register which selects the display duty and LCD clock source, as shown in table 28.

**Table 28 LCD Duty/Clock Control Register**

LMR				Duty Selection/Input Clock Selection
Bit 3	Bit 2	Bit 1	Bit 0	
—	—	0	0	1/4 duty cycle
—	—	0	1	1/3 duty cycle
—	—	1	0	1/2 duty cycle
—	—	1	1	Static
0	0	—	—	CL0 (32.768/64 kHz when using 32.768-kHz oscillator)
0	1	—	—	CL1 ( $f_{cyc}/256$ )
1	0	—	—	CL2 ( $f_{cyc}/2048$ )
1	1	—	—	CL3 (refer to table 29)

Note:  $f_{cyc}$  is the divided system clock output.

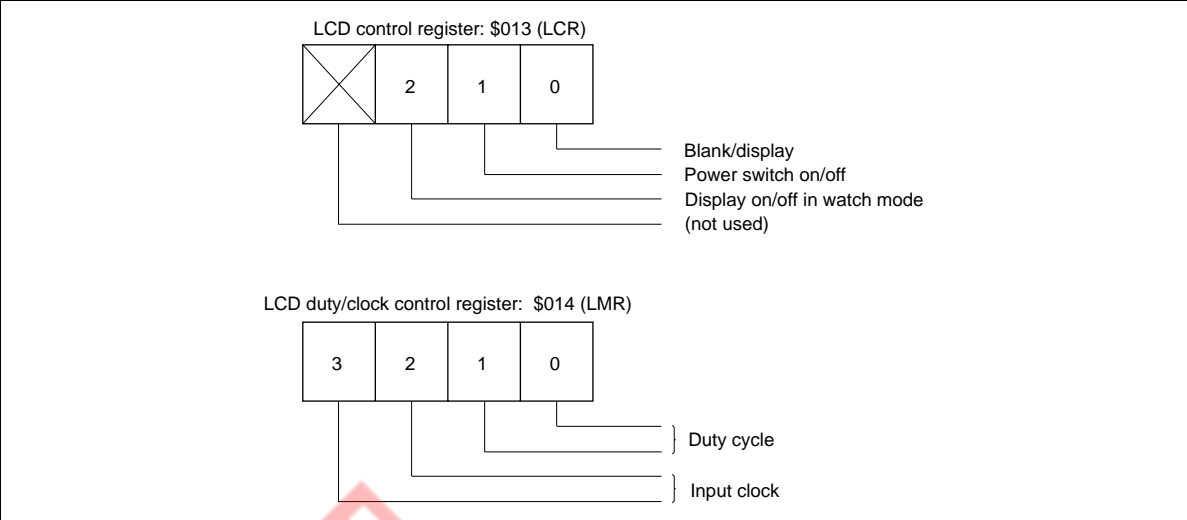


Figure 37 LCD Control and LCD Mode Registers

FOOL Product

## HD404618 Series

Table 29 LCD Frame Periods for Different Duties

Static Duty		LMR						
Instruction cycle time	Bit 3	Bit 2	Bit 3	Bit 2	Bit 3	Bit 2	Bit 3	Bit 2
	0	0	0	1	1	0	1	1
	CL0		CL1		CL2		CL3*	
10 $\mu$ s	512 Hz		390.6 Hz		48.8 Hz		24.4 Hz/64 Hz	
5 $\mu$ s	512 Hz		781.2 Hz		97.6 Hz		48.8 Hz/64 Hz	
1/2 Duty		LMR						
Instruction cycle time	Bit 3	Bit 2	Bit 3	Bit 2	Bit 3	Bit 2	Bit 3	Bit 2
	0	0	0	1	1	0	1	1
	CL0		CL1		CL2		CL3*	
10 $\mu$ s	256 Hz		195.3 Hz		24.4 Hz		12.2 Hz/32 Hz	
5 $\mu$ s	256 Hz		390.6 Hz		48.8 Hz		24.4 Hz/32 Hz	
1/3 Duty		LMR						
Instruction cycle time	Bit 3	Bit 2	Bit 3	Bit 2	Bit 3	Bit 2	Bit 3	Bit 2
	0	0	0	1	1	0	1	1
	CL0		CL1		CL2		CL3*	
10 $\mu$ s	170.6 Hz		130.2 Hz		16.3 Hz		8.1 Hz/21.3 Hz	
5 $\mu$ s	170.6 Hz		260.4 Hz		32.6 Hz		16.2 Hz/21.3 Hz	
1/4 Duty		LMR						
Instruction cycle time	Bit 3	Bit 2	Bit 3	Bit 2	Bit 3	Bit 2	Bit 3	Bit 2
	0	0	0	1	1	0	1	1
	CL0		CL1		CL2		CL3*	
10 $\mu$ s	128 Hz		97.7 Hz		12.2 Hz		6.1 Hz/16 Hz	
5 $\mu$ s	128 Hz		195.4 Hz		24.4 Hz		12.2 Hz/16 Hz	

Note: \* The division ratio depends on the value of bit 3 of timer mode register A (TMA3): The first value is for TMA3 = 0 and the second is for TMA3 = 1.

When TMA3 = 0, CL3 =  $f_{\text{cyc}} \times \text{duty cycle}/4096$ .

When TMA3 = 1, CL3 =  $32.768 \text{ kHz} \times \text{duty cycle}/512$



**Large Liquid-Crystal Panel Drive and  $V_{LCD}$ :** To drive a large-capacity LCD, decrease the resistance of the built-in division resistors by attaching external resistors in parallel, as shown in figure 38.

The size of these resistors cannot be simply calculated from the LCD load capacitance because the matrix configuration of the LCD complicates the paths of charge/discharge currents flowing through the capacitors. The resistance will also vary with lighting conditions. This size must be determined by trial and error, taking into account the power dissipation of the device using the LCD, but a resistance of 1 to 10 k $\Omega$  would usually be suitable. (Another effective method is to attach capacitors of 0.1 to 0.3  $\mu$ F.)

Always turn off the power switch (set bit 1 of the LCR to 0) before changing the liquid crystal drive voltage ( $V_{LCD}$ ).

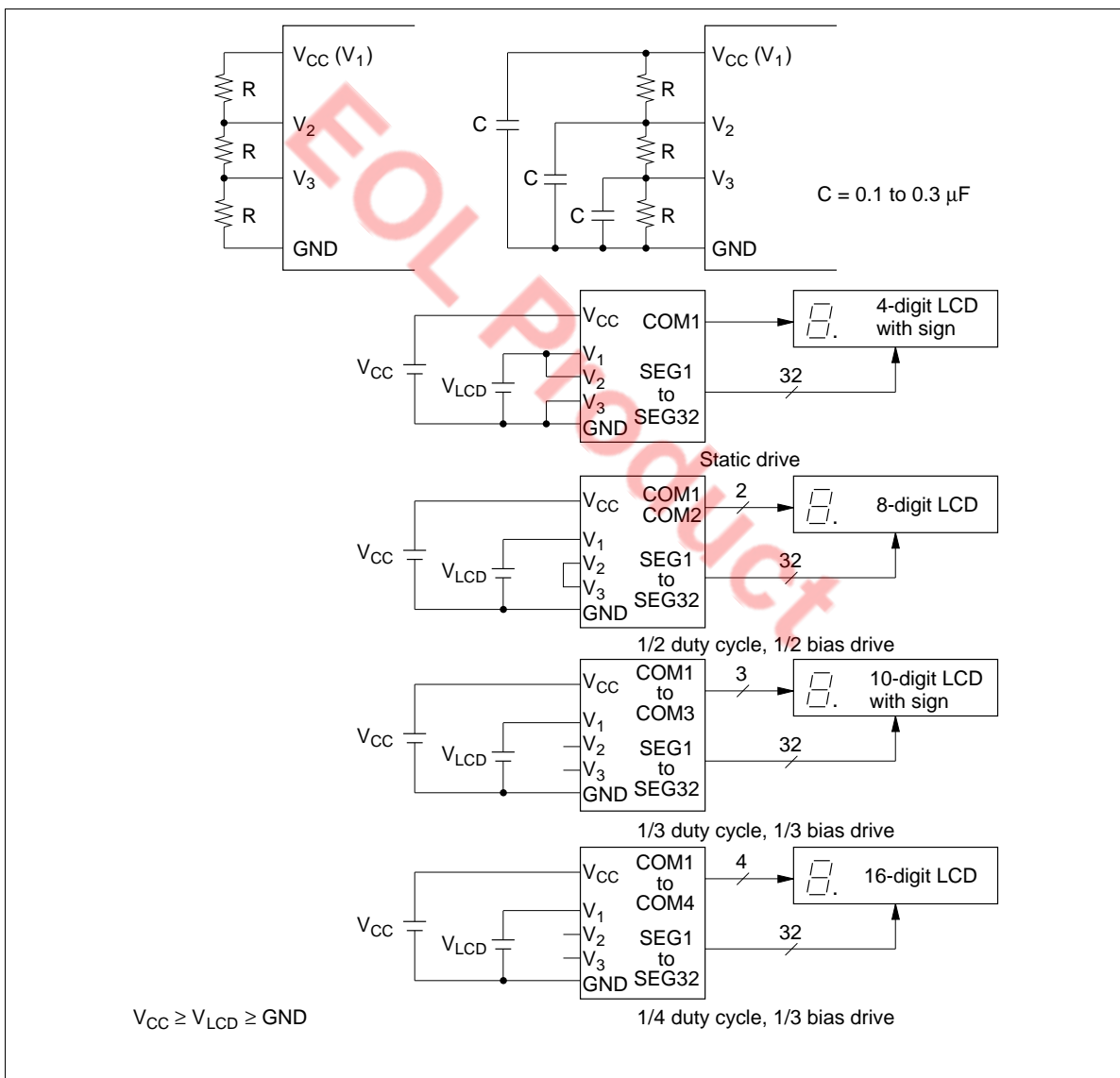


Figure 38 LCD Connection Examples

---

## HD404618 Series

---

### DTMF Generation Circuit

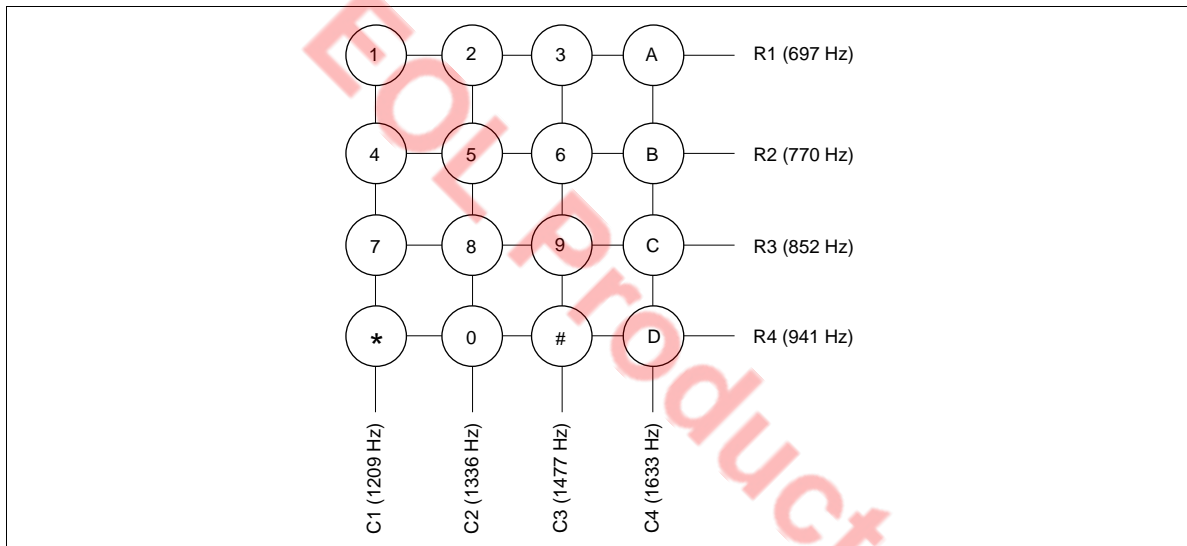
The MCU has a dual-tone multifrequency (DTMF) generation circuit.

The DTMF signal consists of two sine waves to access the switching system.

Figure 39 shows the DTMF keypad and frequencies. Pressing a key generates a tone corresponding to its frequency. Figure 40 shows a block diagram of the DTMF circuit.

The MCU uses an oscillation frequency reduced to 400 kHz, an eighth of the conventionally used frequency, for low-power consumption. This, however, causes a potential frequency deviation. The MCU provides transformed programmable dividers in addition to sine wave counters and a control register to reduce frequency deviation.

The DTMF generation circuit is controlled by the following three registers.



**Figure 39 DTMF Keypad and Frequencies**

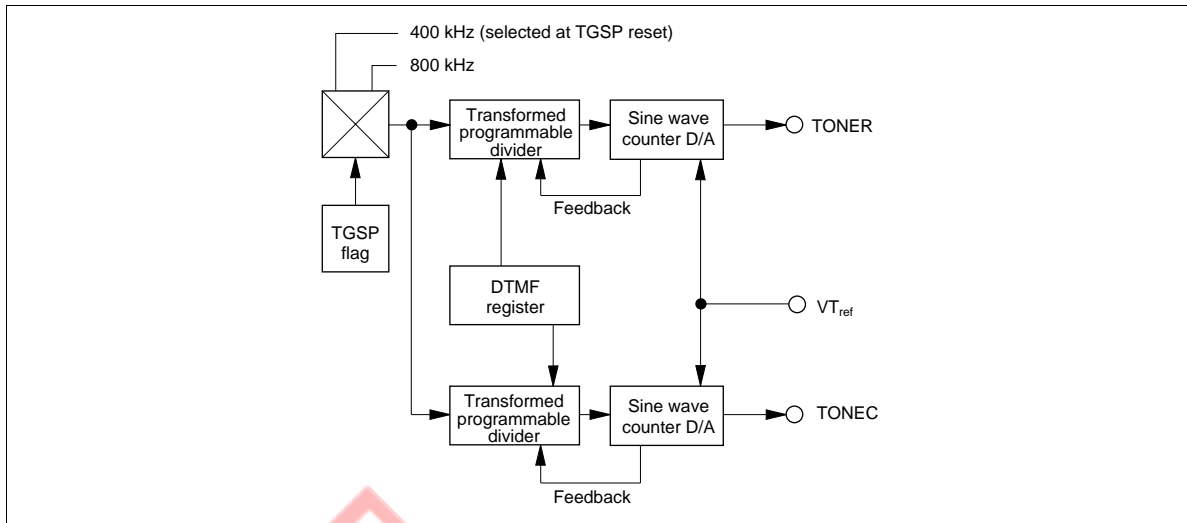


Figure 40 DTMF Circuit Block Diagram

**Tone Generator Mode Register (TGM: \$010):** Four-bit write-only register which controls output frequencies (see table 30). It is cleared to \$0 by MCU reset.

Table 30 Tone Generator Mode Register

TGM				Output Frequencies	
Bit 3	Bit 2	Bit 1	Bit 0		
Option (TONER output is not affected)		0	0	$f_{R1}$ (697 Hz)	Output through TONER pin
		0	1	$f_{R2}$ (770 Hz)	
		1	0	$f_{R3}$ (852 Hz)	
		1	1	$f_{R4}$ (941 Hz)	
0	0	Option (TONEC output is not affected)		$f_{C1}$ (1,209 Hz)	Output through TONEC pin
0	1			$f_{C2}$ (1,336 Hz)	
1	0			$f_{C3}$ (1,477 Hz)	
1	1			$f_{C4}$ (1,633 Hz)	

**Tone Generator Control Register (TGC: \$011):** Three-bit write-only register which controls the start and stop of DTMF signal output (see table 31). It is cleared to \$0 by MCU reset.

## HD404618 Series

Table 31 Tone Generator Control Register

TGC	
Bit 1	DTMF Enable Bit
0	DTMF disabled
1	DTMF enabled

TGC	
Bit 2	TONER Output Control (row)
0	Stopped
1	TONER output (active)

TGC	
Bit 3	TONEC Output Control (column)
0	Stopped
1	TONEC output (active)

**Tone Generator Speed Flag (TGSP: \$020, Bit 2):** One-bit register which can be set and reset by the SEM/REM and SEMD/REMD instructions. The DTMF generation circuit generates output frequencies with a 400-kHz clock (table 30). With an 800-kHz clock, the DTMF generation circuit generates these same frequencies by pulling the TGSP flag high.

**DTMF Output:** The sine waves of the row-group and column-group are individually converted from digital to analog in the D/A conversion circuit, which provides high-precision ladder resistance. The DTMF output pins, TONER and TONEC, transmit the sine waves of the row-group and column-group, respectively. Figure 41 shows the tone output equivalent circuit. Figure 42 shows the output waveform. One cycle of this wave consists of 32 time slots, making the output waveform stable with little distortion. Table 32 lists the frequency deviation of the MCU from standard DTMF signals.

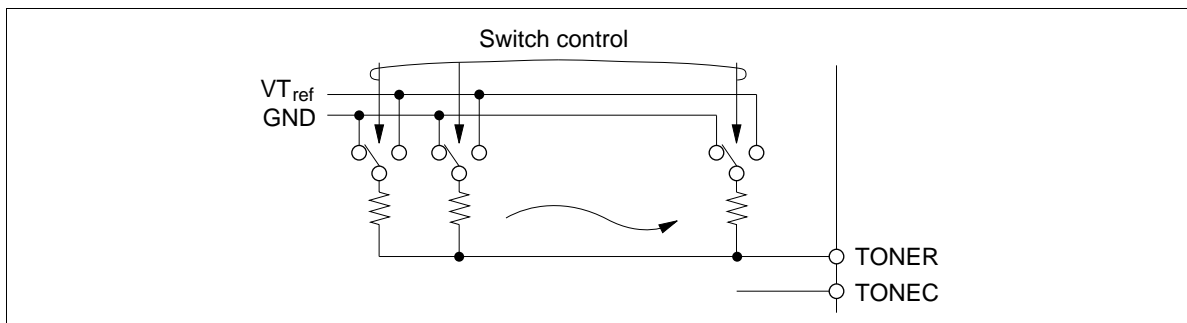


Figure 41 Tone Output Equivalent Circuit

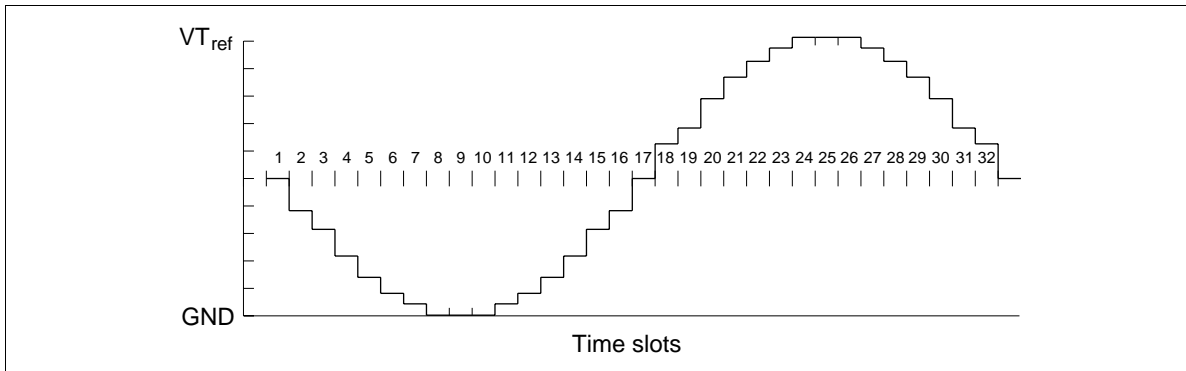


Figure 42 Waveform of Tone Output

Table 32 Frequency Deviation of the MCU from Standard DTMF Signals

Standard	DTMF (Hz)	MCU (Hz)	Deviation from Standard (%)
R1	697	694.44	-0.37
R2	770	769.23	-0.10
R3	852	851.06	-0.11
R4	941	938.97	-0.22
C1	1,209	1,212.12	0.26
C2	1,336	1,333.33	-0.20
C3	1,477	1,481.48	0.30
C4	1,633	1,639.34	0.39

Note: This frequency deviation value does not include the frequency deviation due to the oscillator element. Also note that in this case the ratio of the high level and low level widths in the oscillator waveform due to the oscillator element will be 50% : 50%.

## HD404618 Series

### Programmable ROM

The HD4074618 is a ZTAT™ microcomputer with built-in PROM that can be programmed in PROM mode.

#### PROM Mode Pin Description

Pin Number	MCU Mode	PROM Mode	Pin Number	MCU Mode	PROM Mode
FP-80A, FP-80B	TFP-80	Pin Name	I/O	Pin Name	I/O
1	79	D <sub>2</sub>	I/O	O <sub>2</sub>	I/O
2	80	D <sub>3</sub>	I/O	O <sub>3</sub>	I/O
3	1	D <sub>4</sub>	I/O	O <sub>4</sub>	I/O
4	2	D <sub>5</sub>	I/O	O <sub>5</sub>	I/O
5	3	D <sub>6</sub>	I/O	O <sub>6</sub>	I/O
6	4	D <sub>7</sub>	I/O	O <sub>7</sub>	I/O
7	5	D <sub>8</sub>	I/O		
8	6	D <sub>9</sub>	I/O		
9	7	D <sub>10</sub>	I	V <sub>PP</sub>	
10	8	D <sub>11</sub> /VC <sub>ref</sub>	I	A <sub>9</sub>	I
11	9	D <sub>12</sub> /COMP <sub>0</sub>	I	$\overline{M0}$	I
12	10	D <sub>13</sub> /COMP <sub>1</sub>	I	$\overline{M1}$	I
13	11	$\overline{TEST}$	I	$\overline{TEST}$	I
14	12	X1	I	GND	
15	13	X2	O		
16	14	GND		GND	
17	15	R0 <sub>0</sub> /SCK	I/O	A <sub>1</sub>	I
18	16	R0 <sub>1</sub> /SI	I/O	A <sub>2</sub>	I
19	17	R0 <sub>2</sub> /SO	I/O	A <sub>3</sub>	I
20	18	R0 <sub>3</sub>	I/O	A <sub>4</sub>	I
21	19	R1 <sub>0</sub>	I/O	A <sub>5</sub>	I
22	20	R1 <sub>1</sub>	I/O	A <sub>6</sub>	I
23	21	R1 <sub>2</sub>	I/O	A <sub>7</sub>	I
24	22	R1 <sub>3</sub>	I/O	A <sub>8</sub>	I
25	23	R2 <sub>0</sub>	I/O	A <sub>0</sub>	I
26	24	R2 <sub>1</sub>	I/O	A <sub>10</sub>	I
27	25	R2 <sub>2</sub>	I/O	A <sub>11</sub>	I

## HD404618 Series

Pin Number		MCU Mode		PROM Mode		Pin Number		MCU Mode		PROM Mode		
	FP-80A, FP-80B	TFP-80	Pin Name	I/O	Pin Name	I/O	FP-80A, FP-80B	TFP-80	Pin Name	I/O	Pin Name	I/O
55	53		SEG23	O			68	66	COM4	O		
56	54		SEG24	O			69	67	V <sub>1</sub>			
57	55		SEG25	O			70	68	V <sub>2</sub>			
58	56		SEG26	O			71	69	V <sub>3</sub>		V <sub>CC</sub>	
59	57		SEG27	O			72	70	TONEC	O		
60	58		SEG28	O			73	71	TONER	O		
61	59		SEG29	O			74	72	VT <sub>ref</sub>		V <sub>CC</sub>	
62	60		SEG30	O			75	73	V <sub>CC</sub>		V <sub>CC</sub>	
63	61		SEG31	O			76	74	OSC <sub>1</sub>	I	V <sub>CC</sub>	
64	62		SEG32	O			77	75	OSC <sub>2</sub>	O		
65	63		COM1	O			78	76	RESET	I	RESET	I
66	64		COM2	O			79	77	D <sub>0</sub>	I/O	O <sub>0</sub>	I/O
67	65		COM3	O			80	78	D <sub>1</sub>	I/O	O <sub>1</sub>	I/O

---

## HD404618 Series

---

### Programming the Built-in PROM

The MCU's built-in PROM is programmed in PROM mode which is set by pulling  $\overline{\text{TEST}}$ ,  $\overline{\text{M}}_0$ , and  $\overline{\text{M}}_1$  low, and RESET high, as shown in figure 43. In PROM mode, the MCU does not operate, but it can be programmed in the same way as any other commercial 27256 EPROM using a standard PROM programmer and a 80-to-28-pin socket adaptor. Recommended PROM programmers and socket adaptors are listed in table 34.

Since an HMCS400-series instruction is ten bits long, the HMCS400-series MCU has a built-in conversion circuit to enable use of a general-purpose PROM programmer. This circuit splits each instruction into a lower 5 bits and an upper 5 bits that are read from or written to consecutive addresses. This means that if, for example, 8 kwords of built-in PROM are to be programmed by a general-purpose PROM programmer, a 16-kbyte address space (\$0000–\$3FFF) must be specified.

**Programming and Verification:** The built-in PROM of the MCU can be programmed at high-speed programming sequence without risk of voltage stress or damage to data reliability.

For details of PROM programming, refer to the notes on PROM Programming section.

### Warnings

1. Always specify addresses \$0000 to \$3FFF when programming with a PROM programmer. If address \$4000 or higher is accessed, the PROM may not be programmed or verified correctly. Set all data in unused addresses to \$FF.

Note that the plastic-package version cannot be erased and reprogrammed.

2. Make sure that the PROM programmer, socket adapter, and LSI are aligned correctly (their pin 1 positions match), otherwise overcurrents may damage the LSI. Before starting programming, make sure that the LSI is firmly fixed in the socket adapter and the socket adapter is firmly fixed onto the programmer.
3. PROM programmers have two voltages ( $V_{PP}$ ): 12.5 V and 21 V. Remember that ZTAT™ devices require a  $V_{PP}$  of 12.5 V—the 21-V setting will damage them. 12.5 V is the Intel's 27256 setting.

**Table 33 PROM Mode Selection**

Mode	Pin			
	$\overline{\text{CE}}$	$\overline{\text{OE}}$	$V_{PP}$	$\text{O}_0\text{--}\text{O}_7$
Programming	Low	High	$V_{PP}$	Data input
Verification	High	Low	$V_{PP}$	Data output
Programming inhibition	High	High	$V_{PP}$	High impedance



Table 34 Recommended PROM Programmers and Socket Adapters

PROM Programmer		Socket Adapter		
Manufacturer	Model Name	Manufacturer	Model Name	Package
DATA I/O Corp.	121B 29B	Hitachi	HS460ESF01H	FP-80B
			HS460ESH01H	FP-80A
			HS461EST01H	TFP-80
AVAL Corp.	PKW-1000	Hitachi	HS460ESF01H	FP-80B
			HS460ESH01H	FP-80A
			HS461EST01H	TFP-80

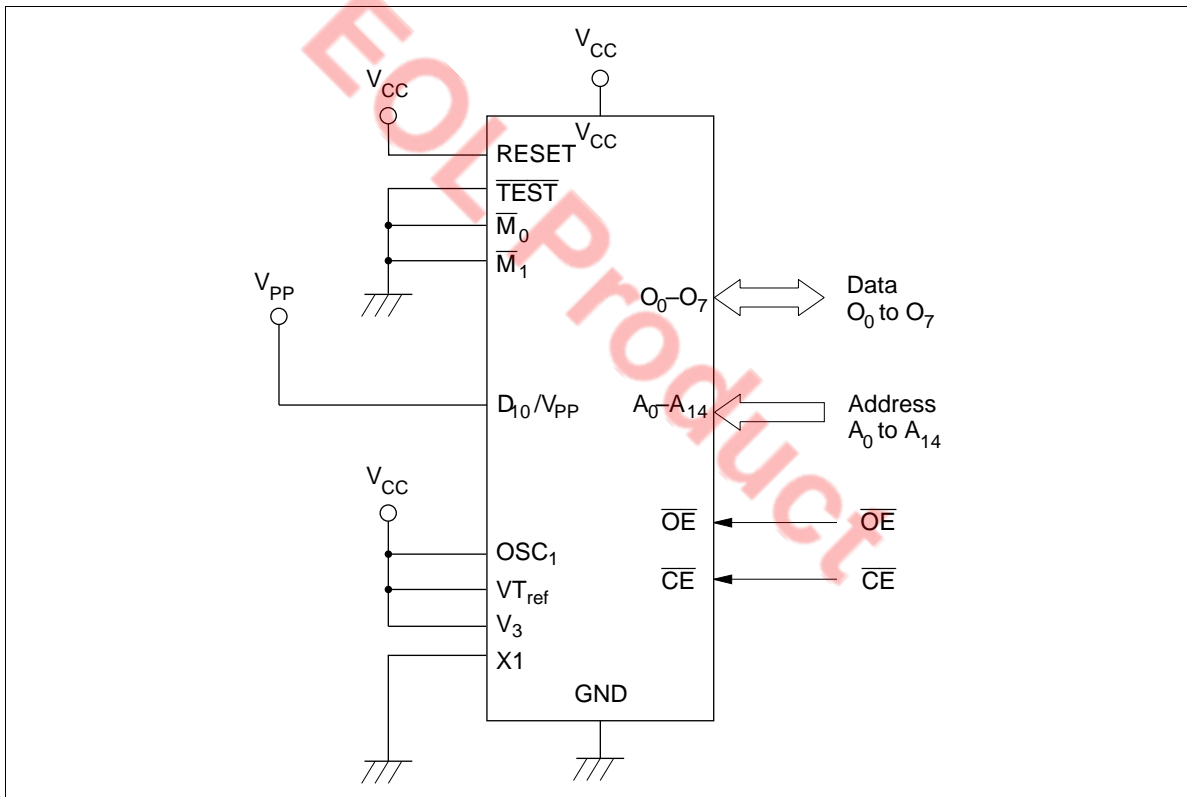


Figure 43 Connections for PROM Mode

## Addressing Modes

### RAM Addressing Modes

The MCU has three RAM addressing modes, as shown in figure 44 and described below.

**Register Indirect Addressing Mode:** The contents of the W, X, and Y registers (10 bits in total) are used as a RAM address.

**Direct Addressing Mode:** A direct addressing instruction consists of two words. The first word contains the opcode, and the contents of the second word (10 bits) are used as a RAM address.

**Memory Register Addressing Mode:** The memory registers (MR), consisting of 16 digits from \$040 to \$04F, are accessed with the LAMR and XMRA instructions.

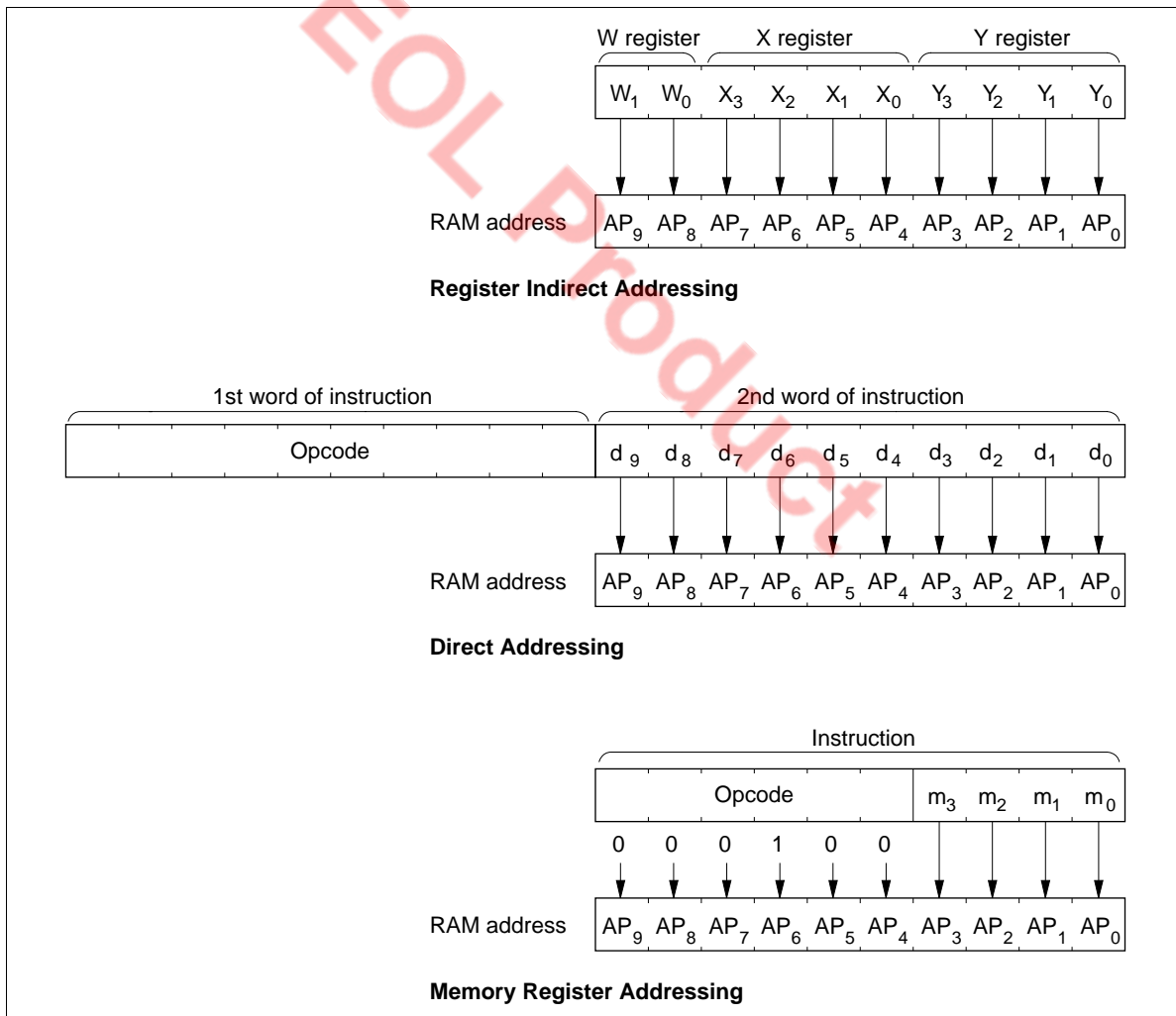


Figure 44 RAM Addressing Modes

### **ROM Addressing Modes and the P Instruction**

The MCU has four ROM addressing modes, as shown in figure 45 and described below.

**Direct Addressing Mode:** A program can branch to any address in the ROM memory space by executing the JMPL, BRL, or CALL instruction. Each of these instructions replaces the 14 program counter bits ( $PC_{13}$ – $PC_0$ ) with 14-bit immediate data.

**Current Page Addressing Mode:** The MCU has 32 pages of ROM with 256 words per page. A program can branch to any address in the current page by executing the BR instruction. This instruction replaces the eight low-order bits of the program counter ( $PC_7$ – $PC_0$ ) with eight-bit immediate data. If the BR instruction is on a page boundary (address  $256n + 255$ ), executing that instruction transfers the PC contents to the next physical page, as shown in figure 46. This means that the execution of the BR instruction on a page boundary will make the program branch to the next page.

Note that the HMCS400-series cross macro-assembler has an automatic paging feature for ROM pages.

**Zero-Page Addressing Mode:** A program can branch to the zero-page subroutine area located at \$000–\$003F by executing the CAL instruction. When the CAL instruction is executed, 6 bits of immediate data are placed in the six low-order bits of the program counter ( $PC_5$ – $PC_0$ ), and 0s are placed in the eight high-order bits ( $PC_{13}$ – $PC_6$ ).

**Table Data Addressing Mode:** A program can branch to an address determined by the contents of four-bit immediate data, the accumulator, and the B register by executing the TBR instruction.

**P Instruction:** ROM data addressed in table data addressing mode can be referenced with the P instruction as shown in figure 47. If bit 8 of the ROM data is 1, eight bits of ROM data are written to the accumulator and the B register. If bit 9 is 1, eight bits of ROM data are written to the R1 and R2 port output registers. If both bits 8 and 9 are 1, ROM data is written to the accumulator and the B register, and also to the R1 and R2 port output registers at the same time.

The P instruction has no effect on the program counter.

# HD404618 Series

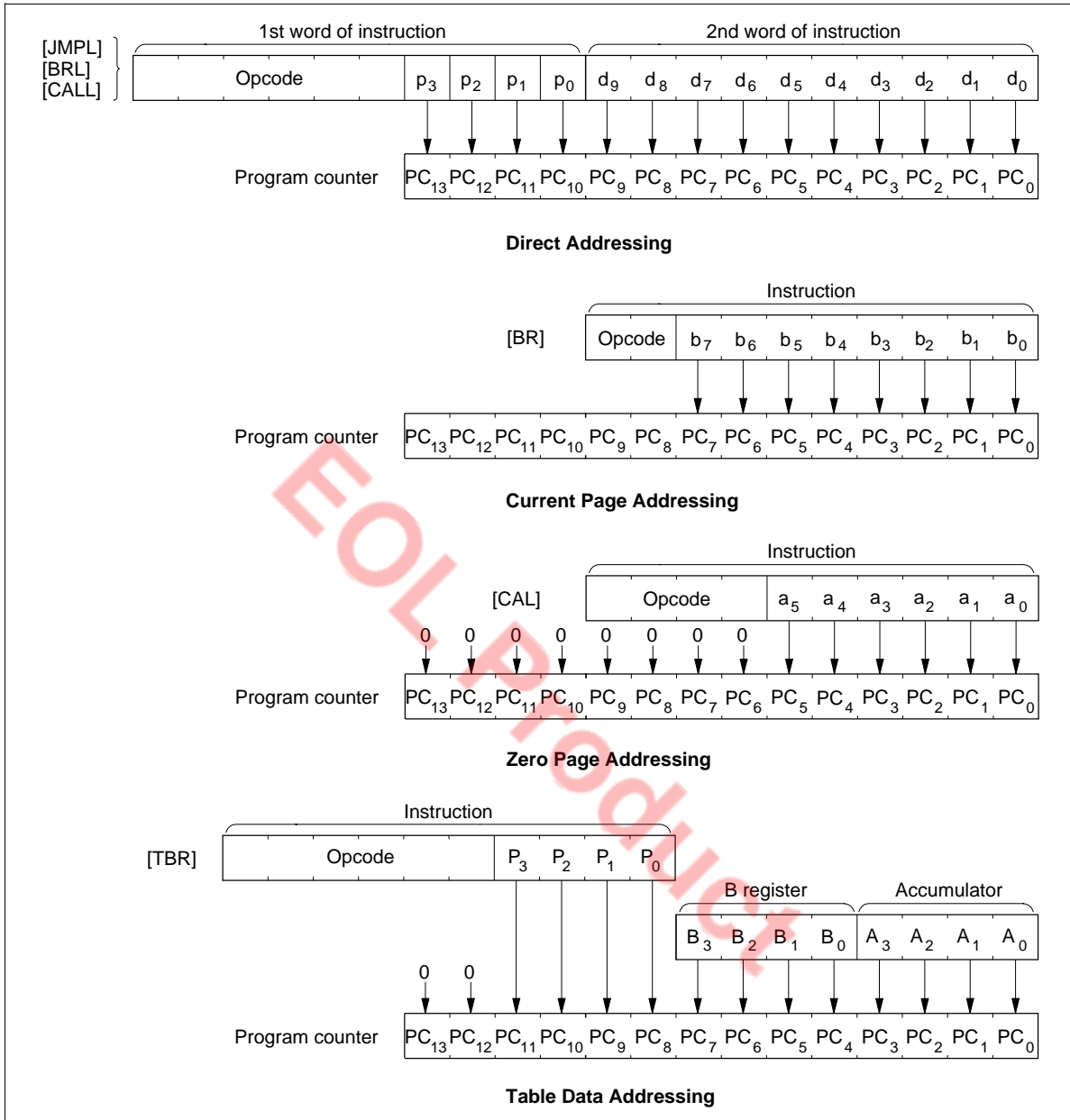


Figure 45 ROM Addressing Modes

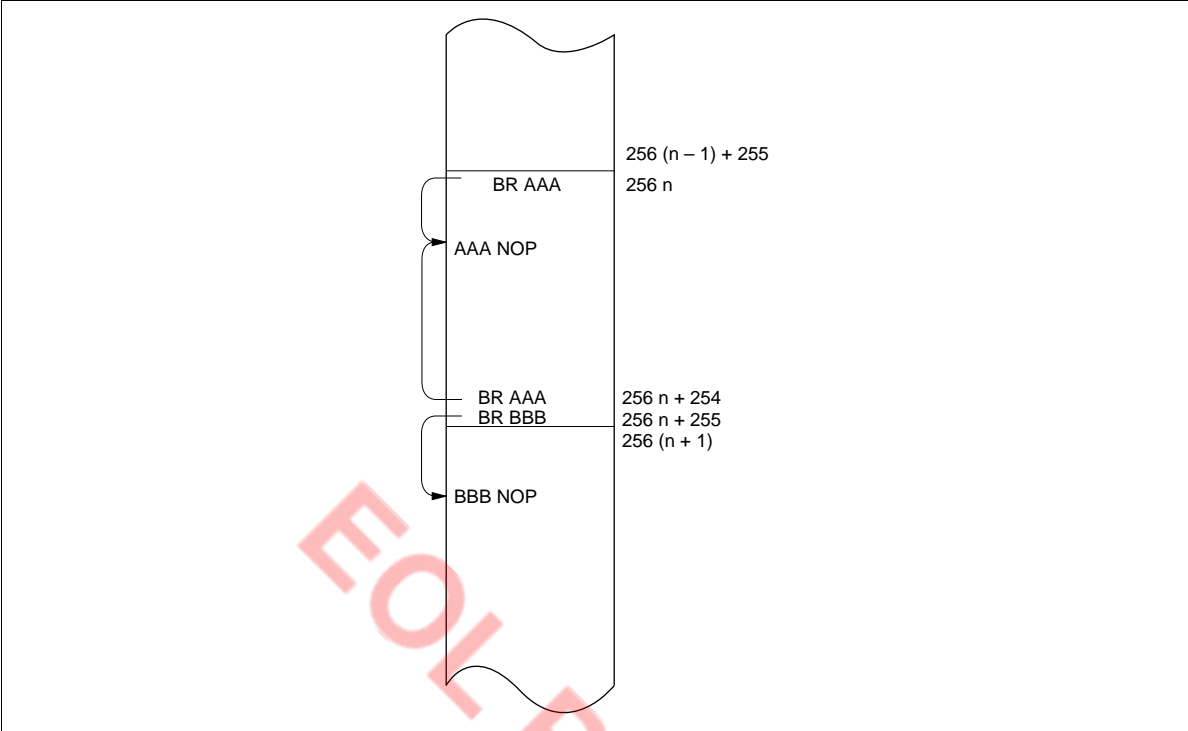


Figure 46 Page Boundary between BR Instruction and Branch Destination

# HD404618 Series

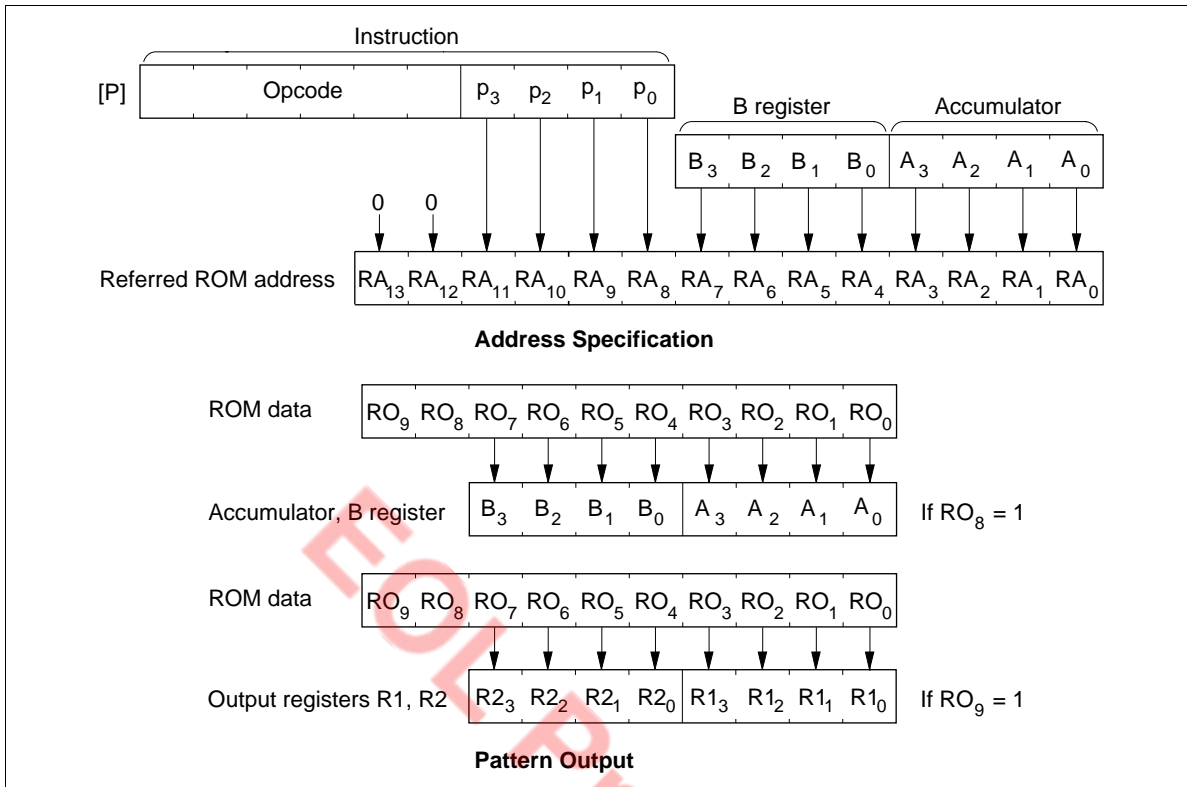


Figure 47 P Instruction

**Absolute Maximum Ratings**

Item	Symbol	Value	Unit	Notes
Supply voltage	$V_{CC}$	-0.3 to +7.0	V	
Programming voltage	$V_{PP}$	-0.3 to +14.0	V	1
Pin voltage	$V_T$	-0.3 to ( $V_{CC} + 0.3$ )	V	
Total permissible input current	$\sum I_O$	100	mA	2
Total permissible output current	$-\sum I_O$	50	mA	3
Maximum input current	$I_O$	4	mA	4, 5
		30	mA	4, 6
Maximum output current	$-I_O$	4	mA	7, 8
Operating temperature	$T_{opr}$	-20 to +75	°C	
Storage temperature	$T_{stg}$	-55 to +125	°C	

Notes: Permanent damage may occur if these absolute maximum ratings are exceeded. Normal operation must be under the conditions stated in the electrical characteristics tables. If these conditions are exceeded, the LSI may malfunction or its reliability may be affected.

1.  $D_{10}$  ( $V_{PP}$ ) of the HD4074618.
2. Total permissible input current is the total of input currents simultaneously flowing in from all the I/O pins to GND.
3. Total permissible output current is the total of output currents simultaneously flowing out from  $V_{CC}$  to all I/O pins.
4. The maximum input current is the maximum current flowing from any I/O pin to ground.
5. Applies to R0-R3
6. Applies to  $D_0$ - $D_9$
7. The maximum output current is the maximum current flowing from  $V_{CC}$  to any I/O pin.
8. Applies to  $D_0$ - $D_9$ , R0-R3

## HD404618 Series

### Electrical Characteristics (Please inquire about the characteristics of HD404612, HD404614, HD404616, and HD404618 at $V_{CC} = 2.2\text{ V}$ )

DC Characteristics (HD404612, HD404614, HD404616, HD404618:  $V_{CC} = 2.7\text{ V}$  to  $6.0\text{ V}$ ; HD4074618:  $V_{CC} = 3.0\text{ V}$  to  $5.5\text{ V}$ ,  $GND = 0.0\text{ V}$ ,  $T_a = -20$  to  $+75^\circ\text{C}$ , unless otherwise specified)

Item	Symbol	Pin(s)	Min	Typ	Max	Unit	Test Condition	Notes
Input high voltage	$V_{IH}$	RESET, SCK, $\overline{INT}_0$ , $\overline{INT}_1$	$0.9V_{CC}$		$V_{CC} + 0.3$	V		
		OSC <sub>1</sub>	$V_{CC} - 0.3$		$V_{CC} + 0.3$	V	External clock operation	
		SI	$0.9V_{CC}$		$V_{CC} + 0.3$	V		
Input low voltage	$V_{IL}$	RESET, SCK, $\overline{INT}_0$ , $\overline{INT}_1$	-0.3		$0.1V_{CC}$	V		
		OSC <sub>1</sub>	-0.3		0.3	V	External clock operation	
		SI	-0.3		$0.1V_{CC}$	V		
Output high voltage	$V_{OH}$	SCK, TIMO, SO	$V_{CC} - 1.0$			V	$-I_{OH} = 0.5\text{ mA}$	
Output low voltage	$V_{OL}$	SCK, TIMO, SO			0.4	V	$I_{OL} = 0.4\text{ mA}$	
I/O leakage current	$ I_{IL} $	RESET, SCK, $\overline{INT}_0$ , $\overline{INT}_1$ , SI, SO, TIMO, OSC <sub>1</sub>			1	$\mu\text{A}$	$V_{in} = 0$ to $V_{CC}$	1
Stop mode retaining voltage	$V_{STOP}$	$V_{CC}$	2			V	No 32-kHz oscillator	7
Current dissipation in active mode	$I_{CC1}$	$V_{CC}$		400	1000	$\mu\text{A}$	$V_{CC} = 3\text{ V}$ $f_{OSC} = 400\text{ kHz}$	2
	$I_{CC2}$	$V_{CC}$		500	1500	$\mu\text{A}$	$V_{CC} = 3\text{ V}$ DTMF: active $f_{OSC} = 400\text{ kHz}$	3
	$I_{CC3}$	$V_{CC}$		1	2	mA	$V_{CC} = 3\text{ V}$ $f_{OSC} = 400\text{ kHz}$ $D_{12}$ , $D_{13}$ analog input mode	4
Current dissipation in standby mode	$I_{SBY}$	$V_{CC}$		200	500	$\mu\text{A}$	$V_{CC} = 3\text{ V}$ LCD on $f_{OSC} = 400\text{ kHz}$	5
Current dissipation in stop mode	$I_{STOP}$	$V_{CC}$		1	10	$\mu\text{A}$	$V_{CC} = 3\text{ V}$ No 32-kHz oscillator	



## HD404618 Series

Item	Symbol	Pin(s)	Min	Typ	Max	Unit	Test Condition	Notes
Current dissipation in subactive mode	$I_{SUB}$	$V_{CC}$		50	100	$\mu A$	$V_{CC} = 3 V$ LCD on	
				35	70	$\mu A$		6
Current dissipation in watch mode (1)	$I_{WTC1}$	$V_{CC}$		5	15	$\mu A$	$V_{CC} = 3 V$ LCD off	
Current dissipation in watch mode (2)	$I_{WTC2}$	$V_{CC}$		15	35	$\mu A$	$V_{CC} = 3 V$ LCD on	
Comparator input reference voltage scope	$V_{C_{ref}}$	$V_{C_{ref}}$	0	—	$V_{CC} - 1.2$	V		

- Notes:
- Output buffer current is excluded.
  - $I_{CC}$  is the source current when no I/O current is flowing while the MCU is in reset state.  
 Test conditions: MCU: Reset  
 Pins: RESET,  $\overline{TEST}$  at  $V_{CC}$
  - $I_{SBY}$  is the source current when no I/O current is flowing while the MCU timer is in operation.  
 Test conditions:  $D_{12}$ ,  $D_{13}$  in digital input mode  
 DTMF in operation (excludes current flowing from  $V_{T_{ref}}$  to GND)
  - Pins  $D_{12}$  and  $D_{13}$  are in analog input mode and I/O current is not flowing.  
 Test conditions:  $V_{C_{ref}}/D_{11}$ , COMP0/ $D_{12}$ , COMP1/ $D_{13}$  at GND  
 DTMF stopped
  - Timer is in operation and I/O current is not flowing.  
 Test conditions: MCU: I/O in reset state  
 Serial interface stopped  
 $D_{12}$ ,  $D_{13}$  in digital input mode  
 DTMF stopped  
 Standby mode  
 Pins: RESET at GND  
 $\overline{TEST}$  at  $V_{CC}$
  - Applies only to HD404612, HD404614, HD404616, and HD404618.
  - RAM data retention.

## HD404618 Series

I/O Characteristics for Standard Pins (HD404612, HD404614, HD404616, HD404618:  $V_{CC} = 2.7\text{ V}$  to  $6.0\text{ V}$ ; HD4074618:  $V_{CC} = 3.0\text{ V}$  to  $5.5\text{ V}$ ,  $GND = 0.0\text{ V}$ ,  $T_a = -20$  to  $+75^\circ\text{C}$ , unless otherwise specified)

Item	Symbol	Pin(s)	Min	Typ	Max	Test Conditions	Unit	Notes
Input high voltage	$V_{IH}$	D <sub>10</sub> –D <sub>13</sub> , R0–R3	$0.7V_{CC}$	—	$V_{CC} + 0.3$		V	
Input low voltage	$V_{IL}$	D <sub>10</sub> –D <sub>13</sub> , R0–R3	–0.3	—	$0.3V_{CC}$		V	
Output high voltage	$V_{OH}$	R0–R3	$V_{CC} - 1.0$	—	—	$-I_{OH} = 0.5\text{ mA}$	V	
Pull-up MOS current	$-I_{PU}$	R0–R3	5	40	90	$V_{CC} = 3\text{ V}$ , $V_{in} = 0\text{ V}$	$\mu\text{A}$	
Output low voltage	$V_{OL}$	R0–R3	—	—	0.4	$I_{OL} = 0.4\text{ mA}$	V	
I/O leakage current	$ I_{IL} $	D <sub>11</sub> to D <sub>13</sub> , R0 to R3	—	—	1	HD404612, HD404614 HD404616, HD404618: $V_{in} = 0\text{ V}$ to $V_{CC}$	$\mu\text{A}$	1
		D <sub>10</sub>	—	—	20	HD4074618: $V_{in} = 0\text{ V}$ to $V_{CC}$	$\mu\text{A}$	2
Input high voltage	$V_{IHA}$	D <sub>12</sub> , D <sub>13</sub> (analog compare mode)	$VC_{ref} + 0.1$	—	—		V	
Input low voltage	$V_{ILA}$	D <sub>12</sub> , D <sub>13</sub> (analog compare mode)	—	—	$VC_{ref} - 0.1$		V	

- Note: 1. Output buffer current is excluded.  
2. The Max value for the HD404618, HD404616, HD404614, and HD404612 is  $1\mu\text{A}$ .

## HD404618 Series

**I/O Characteristics for High-Current Pins (HD404612, HD404614, HD404616, HD404618:  $V_{CC} = 2.7$  V to 6.0 V; HD4074618:  $V_{CC} = 3.0$  V to 5.5 V, GND = 0 V,  $T_a = -20$  to  $+75^\circ\text{C}$ , unless otherwise specified)**

Item	Symbol	Pin(s)	Min	Typ	Max	Test Conditions	Unit	Notes
Input high voltage	$V_{IH}$	D <sub>0</sub> –D <sub>9</sub>	$0.7V_{CC}$	—	$V_{CC} + 0.3$		V	
Input low voltage	$V_{IL}$	D <sub>0</sub> –D <sub>9</sub>	–0.3	—	$0.3V_{CC}$		V	
Output high voltage	$V_{OH}$	D <sub>0</sub> –D <sub>9</sub>	$V_{CC} - 1.0$	—		$-I_{OH} = 0.5$ mA	V	
Pull-up MOS current	$-I_{PU}$	D <sub>0</sub> –D <sub>9</sub>	5	40	90	$V_{CC} = 3$ V, $V_{in} = 0$ V	$\mu\text{A}$	
Output low voltage	$V_{OL}$	D <sub>0</sub> –D <sub>9</sub>	—	—	2.0	$I_{OL} = 15$ mA $V_{CC} = 4.5$ V to 6 V	V	
			—	—	0.4	$I_{OL} = 0.4$ mA	V	
I/O leakage current	$ I_{IL} $	D <sub>0</sub> –D <sub>9</sub>	—	—	1	$V_{in} = 0$ to $V_{CC}$	$\mu\text{A}$	1

Note: 1. Output buffer current is excluded.

**LCD Circuit Characteristics (HD404612, HD404614, HD404616, HD404618:  $V_{CC} = 2.7$  V to 6.0 V; HD4074618:  $V_{CC} = 3.0$  V to 5.5 V, GND = 0 V,  $T_a = -20$  to  $+75^\circ\text{C}$ , unless otherwise specified)**

Item	Symbol	Pin(s)	Min	Typ	Max	Test Condition	Unit	Notes
Segment driver voltage drop	$V_{ds}$	SEG1– SEG32	—	—	0.6	$I_d = 3$ $\mu\text{A}$	V	1
Common driver voltage drop	$V_{dc}$	COM1– COM4	—	—	0.3	$I_d = 3$ $\mu\text{A}$	V	1
LCD power supply division resistor	$R_{Well}$		100	300	900	Between $V_1$ and GND	k $\Omega$	
LCD voltage	$V_{LCD}$	$V_1$	2.7	—	$V_{CC}$	HD404612, HD404614, HD404616, HD404618	V	2
			3.0	—	$V_{CC}$	HD4074618	V	2

Notes: 1.  $V_{DS}$  and  $V_{DC}$  are the voltage drops from power supply pins  $V_1$ ,  $V_2$ , and  $V_3$ , and GND to each segment pin and each common pin.

2. When  $V_{LCD}$  is supplied from an external source, the following relations must be retained:

$$V_{CC} \geq V_1 \geq V_2 \geq V_3 \geq \text{GND}$$

## HD404618 Series

**DTMF Characteristics (HD404612, HD404614, HD404616, HD404618:  $V_{CC} = 2.7\text{ V to }6.0\text{ V}$ ; HD4074618:  $V_{CC} = 3.0\text{ V to }5.5\text{ V}$ ,  $GND = 0\text{ V}$ ,  $T_a = -20\text{ to }+75^\circ\text{C}$ , unless otherwise specified)**

Item	Symbol	Pin(s)	Min	Typ	Max	Test Conditions	Unit	Notes
Tone output voltage (1)	$V_{OR}$	TONER	500	660	—	$V_{T_{ref}} - GND = 2.0\text{ V}$ , $R_L = 100\text{ k}\Omega$	$\text{mV}_{\text{rms}}$	1
Tone output voltage (2)	$V_{OC}$	TONEC	520	690	—	$V_{T_{ref}} - GND = 2.0\text{ V}$ , $R_L = 100\text{ k}\Omega$	$\text{mV}_{\text{rms}}$	1
Tone output distortion	%DIS		—	3	7	Short circuit between TONER and TONEC, $R_L = 100\text{ k}\Omega$	%	2
Tone output ratio	$\text{dB}_{CR}$		—	2.5	—	Short circuit between TONER and TONEC, $R_L = 100\text{ k}\Omega$	dB	2

Notes: 1. See figure 48.  
2. See figure 49.

## HD404618 Series

**AC Characteristics (HD404612, HD404614, HD404616, HD404618:  $V_{CC} = 2.7\text{ V to }6.0\text{ V}$ ; HD4074618:  $V_{CC} = 3.0\text{ V to }5.5\text{ V}$ ,  $GND = 0\text{ V}$ ,  $T_a = -20\text{ to }+75^\circ\text{C}$ , unless otherwise specified)**

Item	Symbol	Pin(s)	Min	Typ	Max	Test Condition	Unit	Notes
Clock oscillation frequency	$f_{OSC}$	OSC <sub>1</sub> , OSC <sub>2</sub>	—	400	—	1/4 division	kHz	
			—	800	—		kHz	
		X1, X2	—	32.768	—		kHz	
Instruction cycle time	$t_{cyc}$		—	10	—	$f_{OSC} / f_{CP} = 400\text{ kHz}$	$\mu\text{s}$	
			—	5	—	$f_{OSC} / f_{CP} = 800\text{ kHz}$	$\mu\text{s}$	
Oscillator stabilization time	$t_{RC}$	OSC <sub>1</sub> , OSC <sub>2</sub>	—	—	7.5	$f_{OSC} = 400\text{ kHz}$	ms	1
			—	—	7.5	$f_{OSC} = 800\text{ kHz}$	ms	1
		X1, X2	—	—	3	$T_a = -10\text{ to }+60^\circ\text{C}$	s	2
External clock frequency	$f_{CP}$	OSC <sub>1</sub>	—	400	—		kHz	
			—	800	—		kHz	
External clock high width	$t_{CPH}$	OSC <sub>1</sub>	1100	—	—	$f_{CP} = 400\text{ kHz}$	ns	3
			550	—	—	$f_{CP} = 800\text{ kHz}$	ns	3
External clock low width	$t_{CPL}$	OSC <sub>1</sub>	1100	—	—	$f_{CP} = 400\text{ kHz}$	ns	3
			550	—	—	$f_{CP} = 800\text{ kHz}$	ns	3
External clock rise time	$t_{CPr}$	OSC <sub>1</sub>	—	—	150	$f_{CP} = 400\text{ kHz}$	ns	3
			—	—	75	$f_{CP} = 800\text{ kHz}$	ns	3
External clock fall time	$t_{CPf}$	OSC <sub>1</sub>	—	—	150	$f_{CP} = 400\text{ kHz}$	ns	3
			—	—	75	$f_{CP} = 800\text{ kHz}$	ns	3
$\overline{INT}_0$ high width	$t_{IH}$	$\overline{INT}_0$	2	—	—		$t_{cyc}/$ $t_{subcyc}$	4, 6
$\overline{INT}_0$ low width	$t_{IL}$	$\overline{INT}_0$	2	—	—		$t_{cyc}/$ $t_{subcyc}$	4, 6
$\overline{INT}_1$ high width	$t_{IH}$	$\overline{INT}_1$	2	—	—		$t_{cyc}$	4

## HD404618 Series

Item	Symbol	Pin(s)	Min	Typ	Max	Test Condition	Unit	Notes
INT <sub>1</sub> low width	t <sub>IL</sub>	INT <sub>1</sub>	2	—	—		t <sub>cyc</sub>	4
RESET high width	t <sub>RSTH</sub>	RESET	2	—	—		t <sub>cyc</sub>	5
Input capacitance	C <sub>in</sub>	D <sub>10</sub>	—	—	90	HD4074618: f = 1 MHz, V <sub>in</sub> = 0 V	pF	8
		All pins except D <sub>10</sub>	—	—	15	f = 1 MHz, V <sub>in</sub> = 0 V	pF	
RESET fall time	t <sub>RSTF</sub>		—	—	20		ms	5
Analog comparator stabilization time	t <sub>CSTB</sub>	D <sub>12</sub> , D <sub>13</sub> (analog input mode)	—	—	2		t <sub>cyc</sub>	7

- Notes:
1. The oscillation stabilization time is the period required for the oscillator to stabilize after V<sub>CC</sub> reaches 2.7 V (3.0 V for HD4074618) at power-on or after RESET input goes high after stop mode is cancelled. At power-on or when stop mode is cancelled, RESET must remain high for at least t<sub>RC</sub> to ensure the oscillation stabilization time. Since t<sub>RC</sub> depends on the ceramic oscillator's circuit constant and stray capacitance, contact the manufacturer when designing a reset circuit.
  2. The oscillation stabilization time is the period required for the oscillator to stabilize after V<sub>CC</sub> reaches 2.7 V (3.0 V for HD4074618) at power-on. The oscillation stabilization time (t<sub>RC</sub>) must be ensured. If using a crystal oscillator, contact the manufacturer to determine what oscillation stabilization time is required, since it depends on the circuit constants and stray capacitances.
  3. See figure 50.
  4. See figure 51. The unit t<sub>cyc</sub> applies when the MCU is in standby mode or active mode.
  5. See figure 52.
  6. The unit t<sub>subcyc</sub> applies when the MCU is in watch mode or subactive mode.  
t<sub>subcyc</sub> = 244.14 μs (32.768-kHz crystal oscillator)
  7. The analog comparator stabilization time is the period required for the oscillator to stabilize and for correct data to be read after D<sub>12</sub>/D<sub>13</sub> is input to enter analog input mode.
  8. The Max value for the HD404618, HD404616, HD404614, and HD404612 is 15pF.

## HD404618 Series

Serial Interface Timing Characteristics (HD404612, HD404614, HD404616, HD404618:  $V_{CC} = 2.7\text{ V}$  to  $6.0\text{ V}$ ; HD4074618:  $V_{CC} = 3.0\text{ V}$  to  $5.5\text{ V}$ ,  $GND = 0\text{ V}$ ,  $T_a = -20$  to  $+75^\circ\text{C}$ , unless otherwise specified)

### During Transmit Clock Output

Item	Symbol	Pin(s)	Min	Typ	Max	Test Condition	Unit	Notes
Transmit clock cycle time	$t_{S_{cyc}}$	$\overline{SCK}$	1	—	—	Load shown in figure 54	$t_{cyc}/t_{subcyc}$	1, 3
Transmit clock high width	$t_{S_{CKH}}$	$\overline{SCK}$	0.5	—	—	Load shown in figure 54	$t_{S_{cyc}}$	1
Transmit clock low width	$t_{S_{CKL}}$	$\overline{SCK}$	0.5	—	—	Load shown in figure 54	$t_{S_{cyc}}$	1
Transmit clock rise time	$t_{S_{CKr}}$	$\overline{SCK}$	—	—	200	Load shown in figure 54	ns	1
Transmit clock fall time	$t_{S_{CKf}}$	$\overline{SCK}$	—	—	200	Load shown in figure 54	ns	1
Serial output data delay time	$t_{DSO}$	SO	—	—	500	Load shown in figure 54	ns	1
Serial input data setup time	$t_{SSI}$	SI	300	—	—		ns	1
Serial input data hold time	$t_{HSI}$	SI	300	—	—		ns	1

## HD404618 Series

### During Transmit Clock Input

Item	Symbol	Pin(s)	Min	Typ	Max	Test Condition	Unit	Notes
Transmit clock cycle time	$t_{S_{cyc}}$	$\overline{SCK}$	1	—	—		$t_{cyc}/t_{subcyc}$	1, 3
Transmit clock high width	$t_{SCKH}$	$\overline{SCK}$	0.5	—	—		$t_{S_{cyc}}$	1
Transmit clock low width	$t_{SCKL}$	$\overline{SCK}$	0.5	—	—		$t_{S_{cyc}}$	1
Transmit clock rise time	$t_{SCKr}$	$\overline{SCK}$	—	—	200		ns	1
Transmit clock fall time	$t_{SCKf}$	$\overline{SCK}$	—	—	200		ns	1
Serial output data delay time	$t_{DSO}$	SO	—	—	500	Load shown in figure 54	ns	1
Serial input data setup time	$t_{SSI}$	SI	300	—	—		ns	1
Serial input data hold time	$t_{HSI}$	SI	300	—	—		ns	1
Transmit clock completion detect time	$t_{SCKHD}$	$\overline{SCK}$	1	—	—		$t_{cyc}/t_{subcyc}$	1, 2, 3

Notes: 1. See figure 53.

2. The transmit clock completion detect time is the high level period after eight transmit clock pulses have been input. The serial interrupt request flag is not set if the next transmit clock is input before the transmit clock completion detect time has passed.

3. The unit  $t_{subcyc}$  applies when the MCU is in subactive mode.

$t_{subcyc} = 244.14 \mu\text{s}$  (32.768-kHz crystal oscillator)

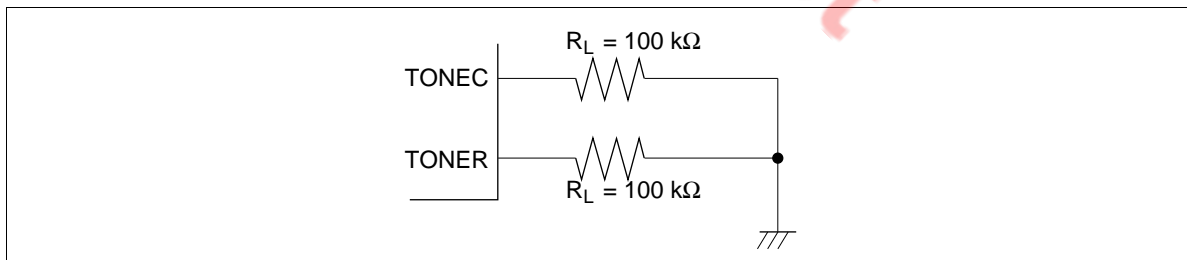


Figure 48 Tone Output Load Circuit



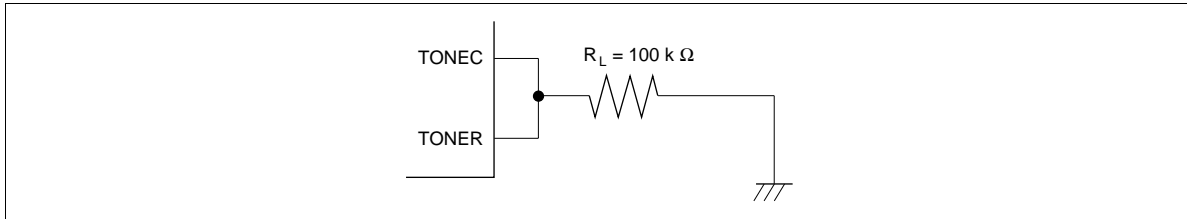


Figure 49 Distortion and  $\text{dB}_{\text{CR}}$  Load Circuit

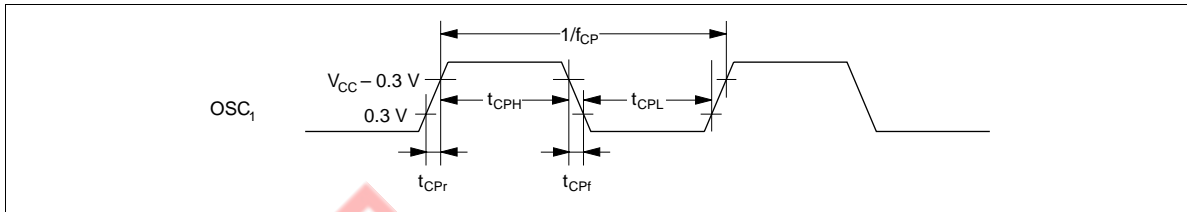


Figure 50 Oscillator Timing

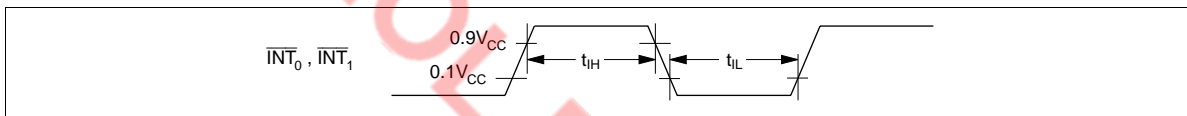


Figure 51 Interrupt Timing

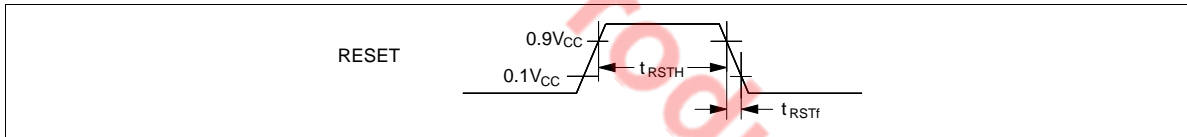
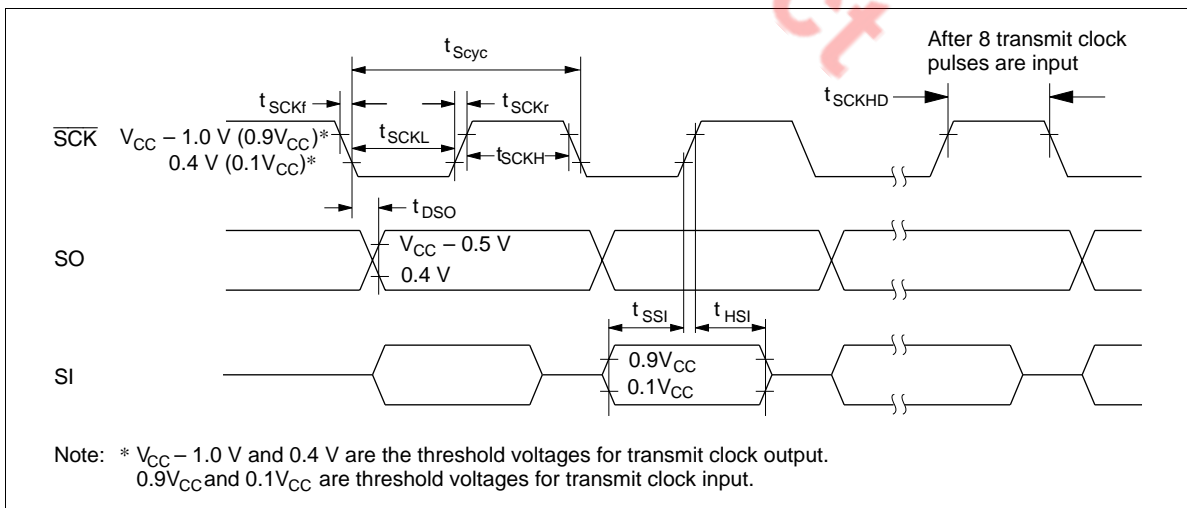


Figure 52 Reset Timing



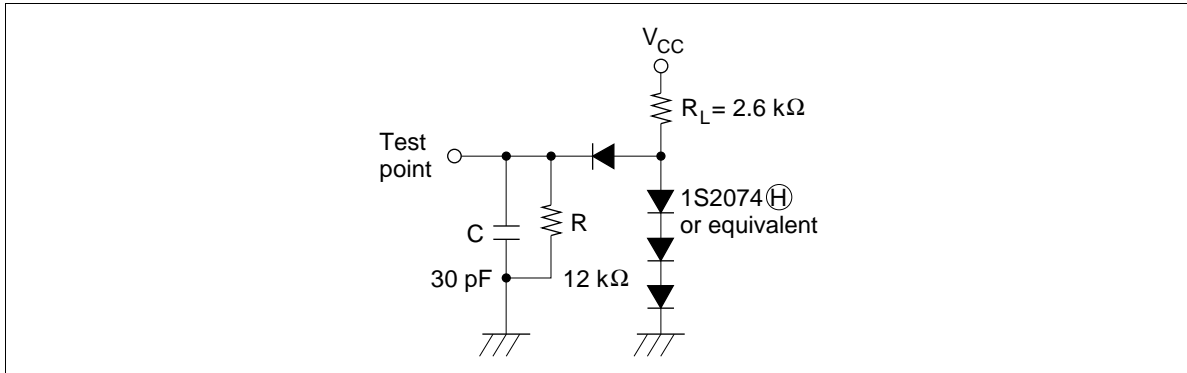
Note: \*  $V_{\text{CC}} - 1.0\text{ V}$  and  $0.4\text{ V}$  are the threshold voltages for transmit clock output.  
 $0.9V_{\text{CC}}$  and  $0.1V_{\text{CC}}$  are threshold voltages for transmit clock input.

Figure 53 Serial Interface Timing

---

**HD404618 Series**

---



**Figure 54 Timing Load Circuit**

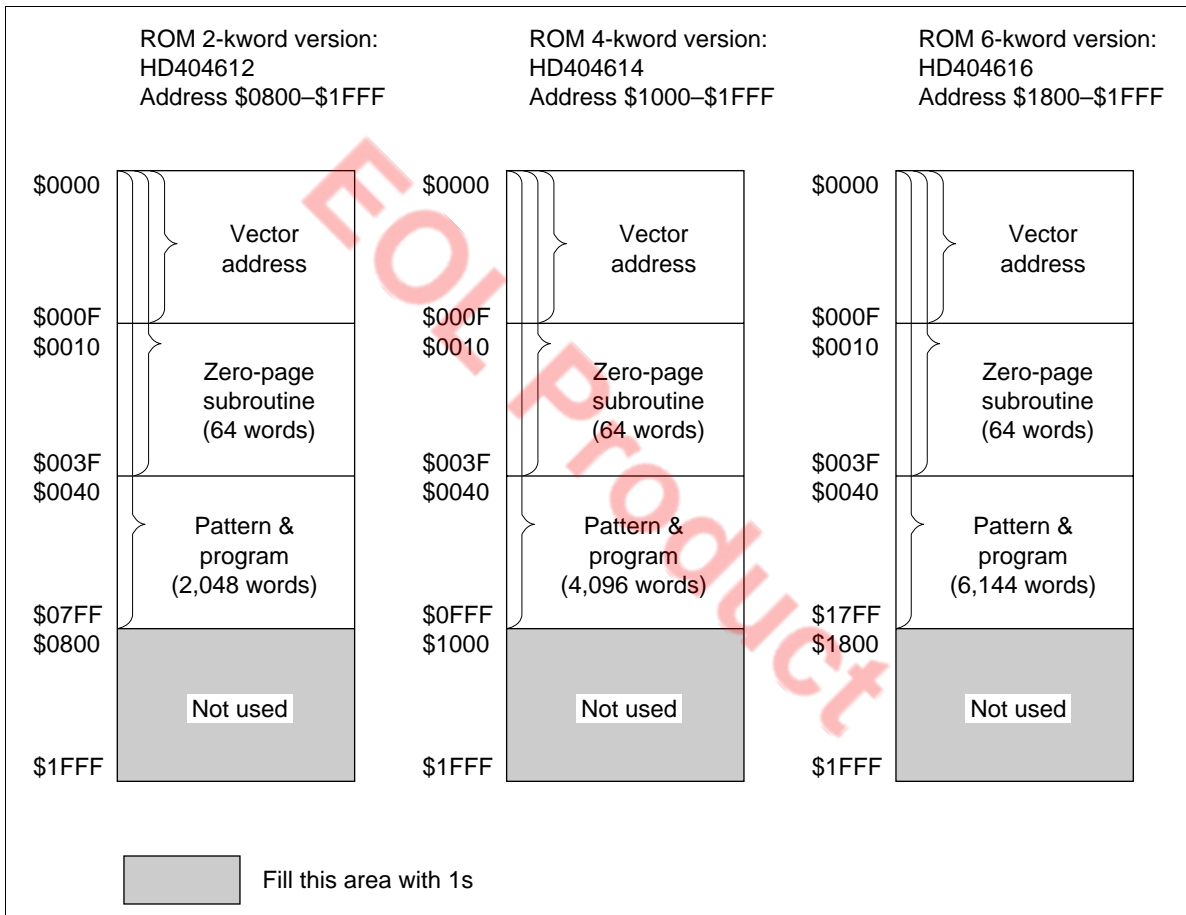
EOL Product

**Notes on ROM Out**

Please pay attention to the following items regarding ROM out.

On ROM out, fill the ROM area indicated below with 1s to create the same data size as a 8-kword version (HD404618). An 8-kword data size is required to change ROM data to mask manufacturing data since the program used is for a 8-kword version.

This limitation applies when using an EPROM or a data base.



---

## HD404618 Series

---

### HD404612, HD404614, HD404616, HD404618 Option List

Please check off the appropriate applications and enter the necessary information.

Date of order	/ /
Customer	
Department	
ROM code name	
LSI number (to be filled in by HITACHI)	

#### 1. ROM Size

<input type="checkbox"/> HD404612	2-kword
<input type="checkbox"/> HD404614	4-kword
<input type="checkbox"/> HD404616	6-kword
<input type="checkbox"/> HD404618	8-kword

#### 2. Optional Functions

* <input type="checkbox"/> With 32-kHz CPU operation, with time-base for clock
* <input type="checkbox"/> Without 32-kHz CPU operation, with time-base for clock
<input type="checkbox"/> Without 32-kHz CPU operation, without time-base

Note: \* Options marked with an asterisk require a subsystem crystal oscillator

#### 5. ROM Code Media

Please specify the first type below (the upper bits and lower bits are mixed together), when using the EPROM on-package microcomputer type (including ZTAT™ version).

<input type="checkbox"/> EPROM: The upper bits and lower bits are mixed together. The upper five bits and lower five bits are programmed to the same EPROM in alternating order (i.e., LULULU...).
<input type="checkbox"/> EPROM: The upper bits and lower bits are separated. The upper five bits and lower five bits are programmed to different EPROMS.

#### 6. System oscillator (OSC1 and OSC2)

<input type="checkbox"/> Ceramic oscillator	f =	MHz
<input type="checkbox"/> External clock	f =	MHz

#### 7. Stop Mode

<input type="checkbox"/> Used
<input type="checkbox"/> Not used

#### 8. Package

<input type="checkbox"/> FP-80A
<input type="checkbox"/> FP-80B
<input type="checkbox"/> TFP-80

**Cautions**

1. Hitachi neither warrants nor grants licenses of any rights of Hitachi's or any third party's patent, copyright, trademark, or other intellectual property rights for information contained in this document. Hitachi bears no responsibility for problems that may arise with third party's rights, including intellectual property rights, in connection with use of the information contained in this document.
2. Products and product specifications may be subject to change without notice. Confirm that you have received the latest product standards or specifications before final design, purchase or use.
3. Hitachi makes every attempt to ensure that its products are of high quality and reliability. However, contact Hitachi's sales office before using the product in an application that demands especially high quality and reliability or where its failure or malfunction may directly threaten human life or cause risk of bodily injury, such as aerospace, aeronautics, nuclear power, combustion control, transportation, traffic, safety equipment or medical equipment for life support.
4. Design your application so that the product is used within the ranges guaranteed by Hitachi particularly for maximum rating, operating supply voltage range, heat radiation characteristics, installation conditions and other characteristics. Hitachi bears no responsibility for failure or damage when used beyond the guaranteed ranges. Even within the guaranteed ranges, consider normally foreseeable failure rates or failure modes in semiconductor devices and employ systemic measures such as fail-safes, so that the equipment incorporating Hitachi product does not cause bodily injury, fire or other consequential damage due to operation of the Hitachi product.
5. This product is not designed to be radiation resistant.
6. No one is permitted to reproduce or duplicate, in any form, the whole or part of this document without written approval from Hitachi.
7. Contact Hitachi's sales office for any questions regarding this document or Hitachi semiconductor products.