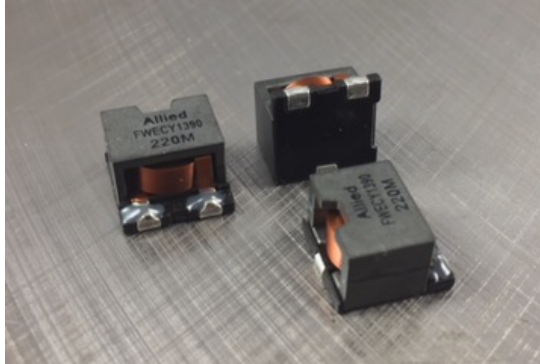
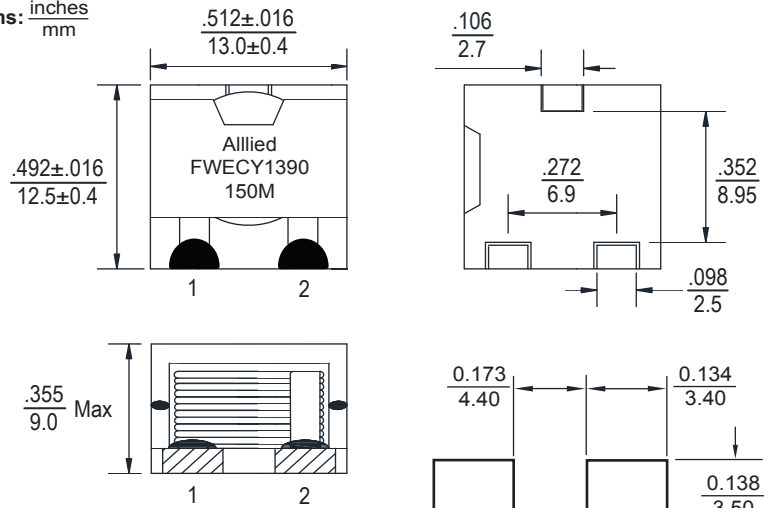




Shielded Flat Wire Power Inductor FWECY1390



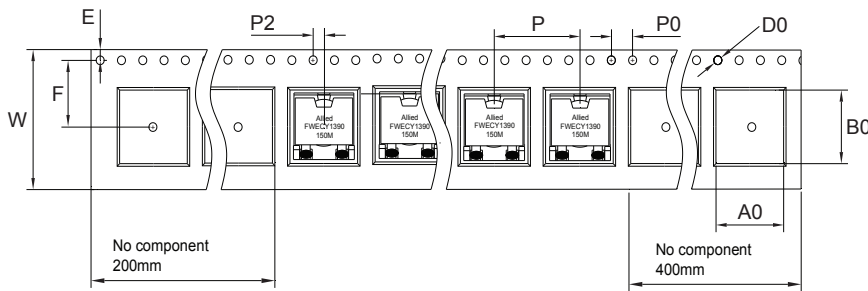
Dimensions: $\frac{\text{inches}}{\text{mm}}$



Allied Part Number	Inductance $\pm 20\%$ (μH)	SRF (MHz) REF	DCR (m Ω Max)	I _{rms} (A) REF		I _{sat} (A) 20% Drop
				20°C Rise	40°C Rise	
FWECY1390-100M	10	26.9	15.0	6.4	9.2	12.0
FWECY1390-150M	15	24.3	15.0	6.4	9.2	8.04
FWECY1390-220M	22	20.3	23.1	5.7	7.7	6.8
FWECY1390-330M	33	15.7	23.1	5.7	7.7	4.4
FWECY1390-470M	47	13.2	23.1	5.7	7.7	3.0

All specifications subject to change without notice.

Recommended Land Pattern



W	A0	B0	P	P0	P2	F	E	D0
.945	.508	.532	.63	.158	.079	.453	.069	.059
24.0	12.9	13.5	16.0	4.0	2.0	11.5	1.75	1.5

Features

- Flat Wire SMD Power Choke
- Ultra Low DCR
- High Saturation Current up to 12A
- Frequency Range up to 1MHz

Electrical

Inductance Range: 10 μH ~ 47 μH

Tolerance: 20% across entire series

Test Frequency: 100KHz, 0.1V

Operating Temp: -40°C to +125 °C

I_{rms}: Current at which the temperature rise will not exceed the stated above ambient.

I_{sat}: Current at which the inductance will drop by no more than 20% from its original Inductance without current.

Physical

Packaging: 350 per 13" reel

Marking: Part number