



CYPRESS

W229B

Frequency Generator for Integrated Core Logic with 133-MHz FSB

Features

- Maximized EMI suppression using Cypress's Spread Spectrum technology
- Low jitter and tightly controlled clock skew
- Highly integrated device providing clocks required for CPU, core logic, and SDRAM
- Two copies of CPU clock
- Thirteen copies of SDRAM clock
- Eight copies of PCI clock
- One copy of synchronous APIC clock
- Three copies of 66-MHz outputs
- Two copies of 48-MHz outputs
- One copy of selectable 24- or 48-MHz clock
- One copy of double strength 14.31818-MHz reference clock
- Power-down control
- SMBus interface for turning off unused clocks

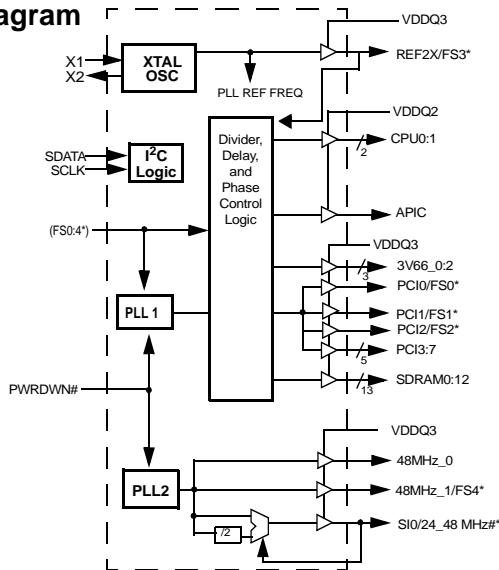
Key Specifications

CPU, SDRAM Outputs Cycle-to-Cycle Jitter: 250 ps
 APIC, 48-MHz, 3V66, PCI Outputs
 Cycle-to-Cycle Jitter: 500 ps
 CPU, 3V66 Output Skew: 175 ps
 SDRAM, APIC, 48-MHz Output Skew: 250 ps
 PCI Output Skew: 500 ps
 CPU to SDRAM Skew (@ 133 MHz) ± 0.5 ns
 CPU to SDRAM Skew (@ 100 MHz) 4.5 to 5.5 ns
 CPU to 3V66 Skew (@ 66 MHz) 7.0 to 8.0 ns
 3V66 to PCI Skew (3V66 lead) 1.5 to 3.5 ns
 PCI to APIC Skew ± 0.5 ns

Table 1. Frequency Selections

FS4	FS3	FS2	FS1	FS0	CPU	SDRAM	3V66	PCI	APIC	SS
0	0	0	0	0	75.3	113.0	75.3	37.6	18.8	OFF
0	0	0	0	1	95.0	95.0	63.3	31.6	15.8	-0.6%
0	0	0	1	0	129.0	129.0	86.0	43.0	21.5	OFF
0	0	0	1	1	150.0	113.0	75.3	37.6	18.8	OFF
0	0	1	0	0	150.0	150.0	75.0	37.5	18.7	OFF
0	0	1	0	1	110.0	110.0	73.0	36.6	18.3	OFF
0	0	1	1	0	140.0	140.0	70.0	35.0	17.5	OFF
0	0	1	1	1	144.0	108.0	72.0	36.0	18.0	OFF
0	1	0	0	0	68.3	102.5	68.3	34.1	17.0	OFF
0	1	0	0	1	105.0	105.0	70.0	35.0	17.5	OFF
0	1	0	1	0	138.0	138.0	69.0	34.5	17.0	OFF
0	1	0	1	1	140.0	105.0	70.0	35.0	17.5	OFF
0	1	1	0	0	66.8	100.2	66.8	33.4	16.7	±0.45%
0	1	1	0	1	100.2	100.2	66.8	33.4	16.7	±0.45%
0	1	1	1	0	133.6	133.6	66.8	33.4	16.7	±0.45%
0	1	1	1	1	133.6	100.2	66.8	33.4	16.7	±0.45%
1	0	0	0	0	157.3	118.0	78.6	39.3	19.6	OFF
1	0	0	0	1	160.0	120.0	80.0	40.0	20.0	OFF
1	0	0	1	0	146.6	110.0	73.3	36.6	18.3	OFF
1	0	0	1	1	122.0	91.5	61.0	30.5	15.2	-0.6%
1	0	1	0	0	127.0	127.0	84.6	42.3	21.1	OFF
1	0	1	0	1	122.0	122.0	81.3	40.6	20.3	-0.6%
1	0	1	1	0	117.0	117.0	78.0	39.0	19.5	OFF
1	0	1	1	1	114.0	114.0	76.0	38.0	19.0	OFF
1	1	0	0	0	80.0	120.0	80.0	40.0	20.0	OFF
1	1	0	0	1	78.0	117.0	78.0	39.0	19.5	OFF
1	1	0	1	0	166.0	124.5	83.0	41.5	20.7	OFF
1	1	0	1	1	133.6	133.6	89.0	44.5	22.2	OFF
1	1	1	0	0	66.6	100.0	66.6	33.3	16.6	-0.6%
1	1	1	0	1	100.0	100.0	66.6	33.3	16.6	-0.6%
1	1	1	1	0	133.3	133.3	66.6	33.3	16.6	-0.6%
1	1	1	1	1	133.3	100.0	66.6	33.3	16.6	-0.6%

Block Diagram



Pin Configuration[1]

GND	1	56	VDDQ2
VDDQ3	2	55	APIC
REF2X/FS3*	3	54	GND
X1	4	53	VDDQ2
X2	5	52	CPU0
VDDQ3	6	51	CPU1
3V66_0	7	50	GND
3V66_1	8	49	SDRAM0
3V66_2	9	48	SDRAM1
GND	10	47	SDRAM2
PCI0/FS0*	11	46	VDDQ3
PCI1/FS1*	12	45	GND
PCI2/FS2*	13	44	SDRAM3
GND	14	43	SDRAM4
PCI3	15	42	SDRAM5
PCI4	16	41	SDRAM6
VDDQ3	17	40	VDDQ3
PCI5	18	39	GND
PCI6	19	38	SDRAM7
PCI7	20	37	SDRAM8
GND	21	36	SDRAM9
48MHz_0	22	35	SDRAM10
48MHz_1/FS4*	23	34	VDDQ3
SIO/24_48MHz#^	24	33	GND
VDDQ3	25	32	SDRAM11
SDATA	26	31	SDRAM12
GND	27	30	PWRDWN#^
VDD3	28	29	SCLK

Note:

1. Internal pull-down or pull-up resistors present on inputs marked with * or ^, respectively. Design should not rely solely on internal pull-up or pull-down resistor to set I/O pins HIGH or LOW, respectively.

Pin Definitions

Pin Name	Pin No.	Pin Type	Pin Description
REF2x/FS3*	3	I/O	Reference Clock with 2x Drive/Frequency Select 3: 3.3V 14.318-MHz clock output. This pin also serves as the select strap to determine device operating frequency as described in <i>Table 1</i> .
X1	4	I	Crystal Input: This pin has dual functions. It can be used as an external 14.318-MHz crystal connection or as an external reference frequency input.
X2	5	I	Crystal Output: An input connection for an external 14.318-MHz crystal connection. If using an external reference, this pin must be left unconnected.
PCI0/FS0*	11	I/O	PCI Clock 0/Frequency Selection 0: 3.3V 33-MHz PCI clock outputs. This pin also serves as the select strap to determine device operating frequency as described in <i>Table 1</i> .
PCI1/FS1*	12	I/O	PCI Clock 1/Frequency Selection 1: 3.3V 33-MHz PCI clock outputs. This pin also serves as the select strap to determine device operating frequency as described in <i>Table 1</i> .
PCI2/FS2*	13	I/O	PCI Clock 2/Frequency Selection 2: 3.3V 33-MHz PCI clock outputs. This pin also serves as the select strap to determine device operating frequency as described in <i>Table 1</i> .
PCI3:7	15, 16, 18, 19, 20	O	PCI Clock 3 through 7: 3.3V 33-MHz PCI clock outputs. PCI0:7 can be individually turned off via SMBus interface.
3V66_0:2	7, 8, 9	O	66-MHz Clock Output: 3.3V output clocks. The operating frequency is controlled by FS0:4 (see <i>Table 1</i>).
48MHz_0	22	O	48-MHz Clock Output: 3.3V fixed 48-MHz, non-spread spectrum clock output.
48MHz_1/ FS4*	23	I/O	48-MHz Clock Output/Frequency Selection 4: 3.3V fixed 48-MHz, non-spread spectrum clock output. This pin also serves as the select strap to determine device operating frequency as described in <i>Table 1</i> .
SIO/ 24_48MHz#*	24	I/O	Clock Output for Super I/O: This is the input clock for a Super I/O (SIO) device. During power up, it also serves as a selection strap. If it is sampled HIGH, the output frequency for SIO is 24 MHz. If the input is sampled LOW, the output is 48 MHz.
PWRDWN#	30	I	Power Down Control: LVTTTL-compatible input that places the device in power-down mode when held LOW.
CPU0:1	52, 51	O	CPU Clock Outputs: Clock outputs for the host bus interface. Output frequencies depending on the configuration of FS0:4. Voltage swing is set by VDDQ2.
SDRAM0:12,	49, 48, 47, 44, 43, 42, 41, 38, 37, 36, 35, 32, 31	O	SDRAM Clock Outputs: 3.3V outputs for SDRAM and chipset. The operating frequency is controlled by FS0:4 (see <i>Table 1</i>).
APIC	55	O	Synchronous APIC Clock Outputs: Clock outputs running synchronous with the PCI clock outputs. Voltage swing set by VDDQ2.
SDATA	26	I/O	Data pin for SMBus circuitry.
SCLK	29	I	Clock pin for SMBus circuitry.
VDDQ3	2, 6, 17, 25, 34, 40, 46	P	3.3V Power Connection: Power supply for SDRAM output buffers, PCI output buffers, reference output buffers and 48-MHz output buffers. Connect to 3.3V.
VDD3	28	P	3.3V Power Connection: Power supply for PLL core.
VDDQ2	53, 56	P	2.5V Power Connection: Power supply for IOAPIC and CPU output buffers. Connect to 2.5V or 3.3V.
GND	1, 10, 14, 21, 27, 33, 39, 45, 50, 54	G	Ground Connections: Connect all ground pins to the common system ground plane.

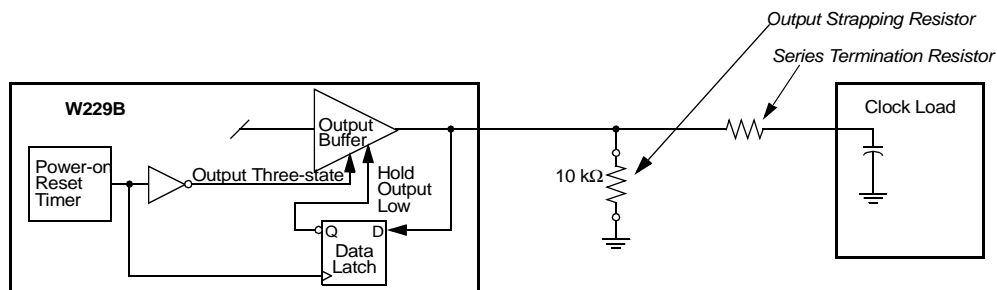


Figure 1. Input Logic Selection Through Resistor Load Option.

Overview

The W229B is a highly integrated frequency timing generator, supplying all the required clock sources for an Intel® architecture platform using graphics integrated core logic.

Functional Description

I/O Pin Operation

Pin # 3, 11, 12, 13, 23, and 24 are dual-purpose I/O pins. Upon power-up the pin acts as a logic input. An external 10-k Ω strapping resistor should be used. *Figure 1* shows a suggested method for strapping resistor connections.

After 2 ms, the pin becomes an output. Assuming the power supply has stabilized by then, the specified output frequency is delivered on the pins. If the power supply has not yet reached full value, output frequency initially may be below target but will increase to target once supply voltage has stabilized.

In either case, a short output clock cycle may be produced from the CPU clock outputs when the outputs are enabled.

Offsets Among Clock Signal Groups

Figure 2, *Figure 3*, and *Figure 4* represent the phase relationship among the different groups of clock outputs from W229B when it is providing a 66-MHz CPU clock, a 100-MHz CPU clock, and a 133-MHz CPU clock, respectively. It should be noted that when CPU clock is operating at 100 MHz, CPU clock output is 180 degrees out of phase with SDRAM clock outputs.

Power Down Control

W229B provides one PWRDWN# signal to place the device in low-power mode. In low-power mode, the PLLs are turned off and all clock outputs are driven LOW.

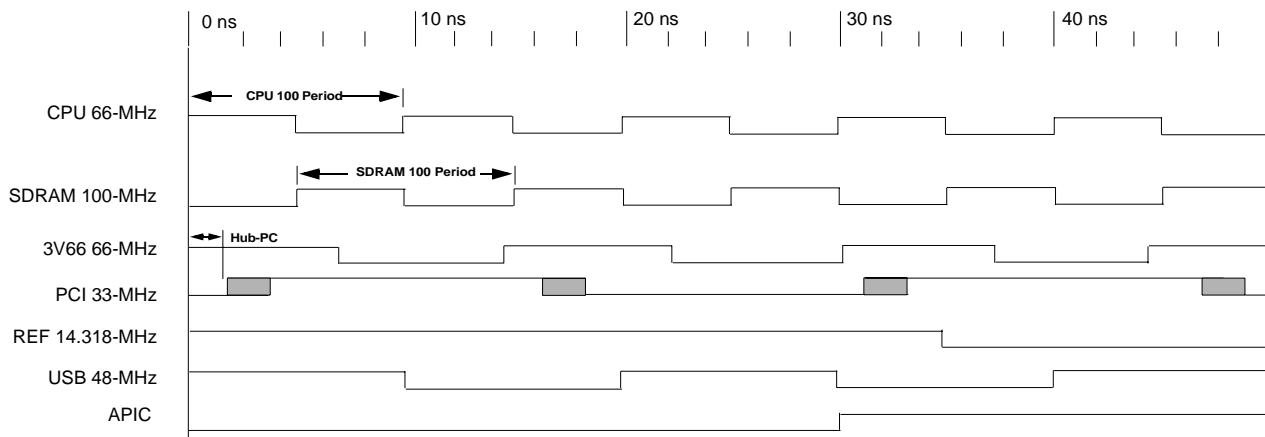


Figure 2. Group Offset Waveforms (66-MHz CPU Clock, 100-MHz SDRAM Clock).

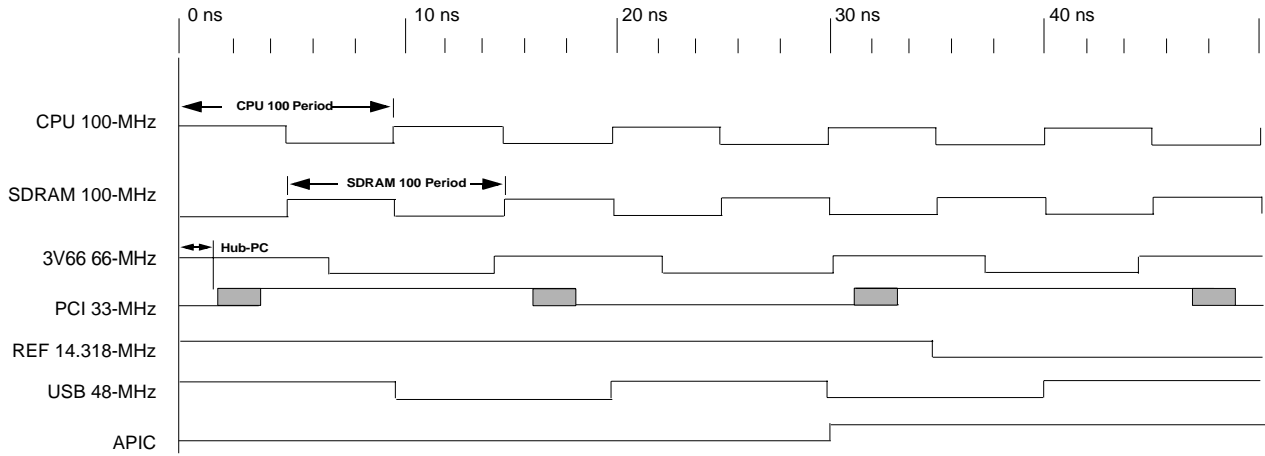


Figure 3. Group Offset Waveforms (100-MHz CPU Clock/100-MHz SDRAM Clock).

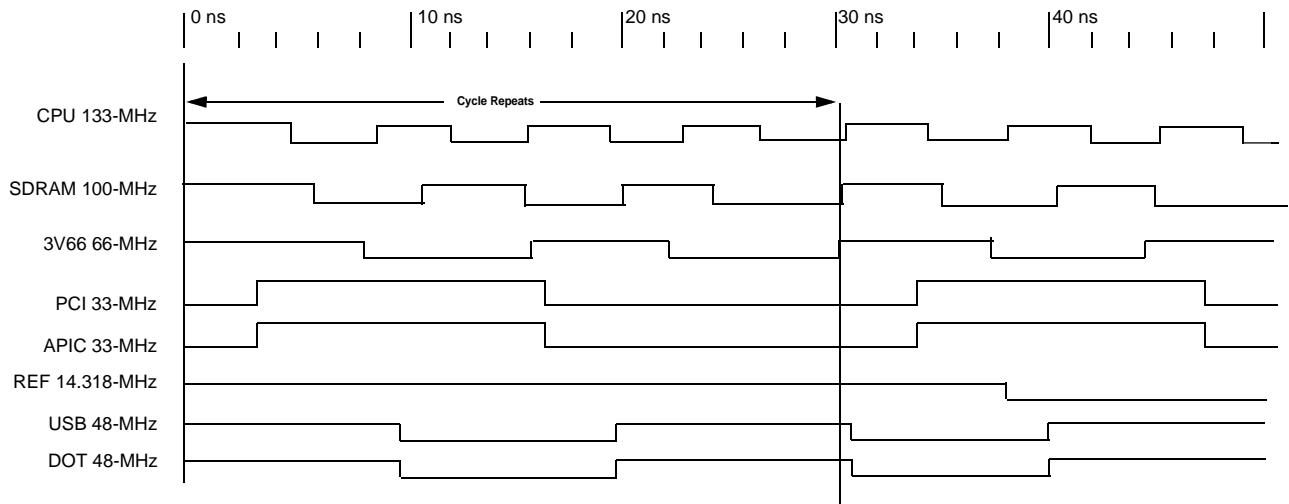


Figure 4. Group Offset Waveforms (133-MHz CPU/100-MHz SDRAM).

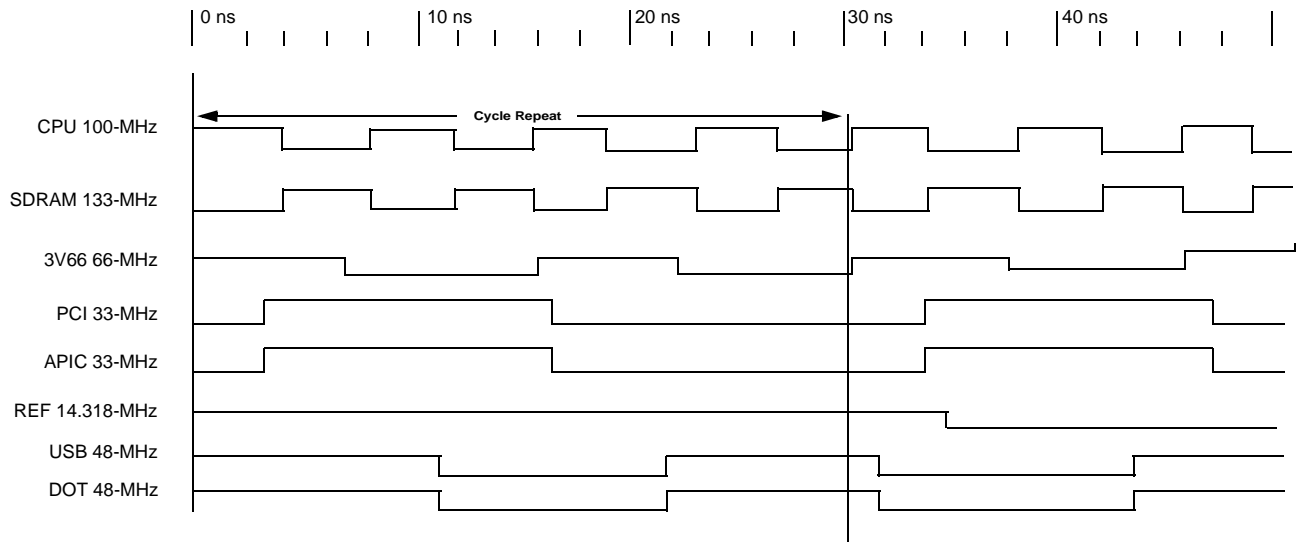


Figure 5. Group Offset Waveform (133-MHz CPU/133-MHz SDRAM).

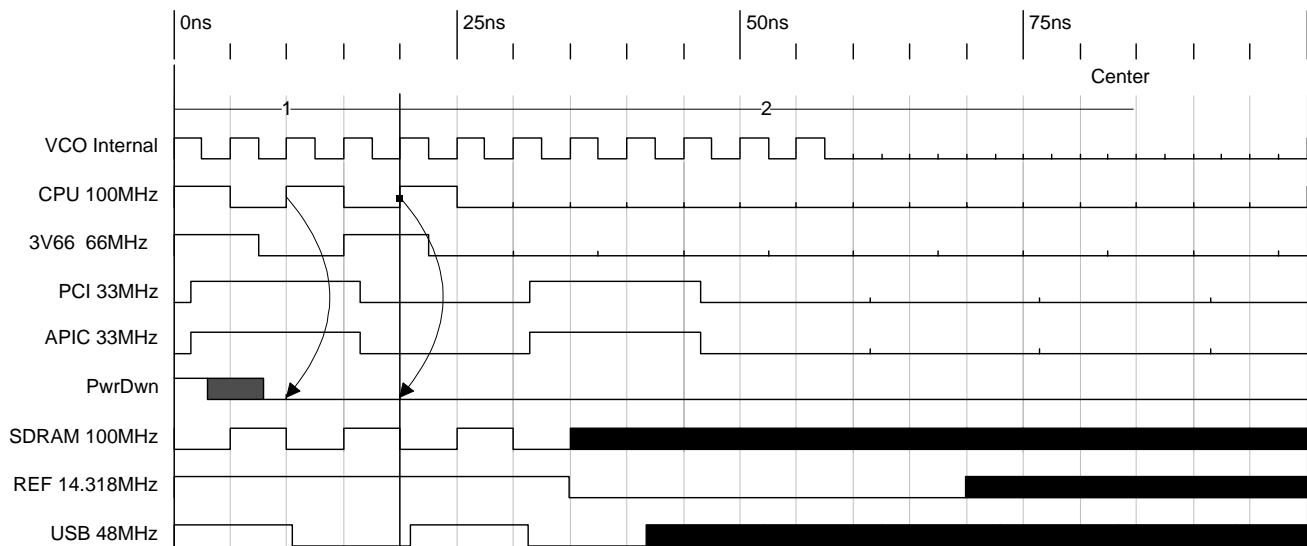


Figure 6. W229B PWRDWN# Timing Diagram^[2, 3, 4, 5].

Notes:

2. Once the PWRDWN# signal is sampled LOW for two consecutive rising edges of CPU, clocks of interest will be held LOW on the next HIGH-to-LOW transition.
3. PWRDWN# is an asynchronous input and metastable conditions could exist. This signal is synchronized inside W229B.
4. The shaded sections on the SDRAM, REF, and USB clocks indicate "Don't Care" states.
5. Diagrams shown with respect to 100 MHz. Similar operation when CPU is 66 MHz.

Table 2. W229B Maximum Allowed Current

W229B Condition	Max 2.5V supply consumption Max discrete cap loads, VDDQ2 = 2.625V All static inputs = VDDQ3 or VSS	Max 3.3V supply consumption Max discrete cap loads VDDQ3 = 3.465V All static inputs = VDDQ3 or VSS
Full Active 66 MHz FSEL4:0 = 01100 (PWRDWN# = 1)	70 mA	280 mA
Full Active 100 MHz FSEL4:0 = 11101 (PWRDWN# = 1)	100 mA	280 mA
Full Active 133 MHz FSEL4:0 = 11110 (PWRDWN# = 1)	50 mA	400 mA

Spread Spectrum Frequency Timing Generator

The device generates a clock that is frequency modulated in order to increase the bandwidth that it occupies. By increasing the bandwidth of the fundamental and its harmonics, the amplitudes of the radiated electromagnetic emissions are reduced. This effect is depicted in *Figure 7*.

As shown in *Figure 7*, a harmonic of a modulated clock has a much lower amplitude than that of an unmodulated signal. The reduction in amplitude is dependent on the harmonic number and the frequency deviation or spread. The equation for the reduction is

$$dB = 6.5 + 9 \cdot \log_{10}(P) + 9 \cdot \log_{10}(F)$$

Where *P* is the percentage of deviation and *F* is the frequency in MHz where the reduction is measured.

The output clock is modulated with a waveform depicted in *Figure 8*. This waveform, as discussed in "Spread Spectrum Clock Generation for the Reduction of Radiated Emissions" by Bush, Fessler, and Hardin, produces the maximum reduction in the amplitude of radiated electromagnetic emissions. The deviation selected for this chip is $\pm 0.45\%$ or -0.6% of the selected frequency. *Figure 7* details the Cypress spreading pattern. Cypress does offer options with more spread and greater EMI reduction. Contact your local Sales representative for details on these devices.

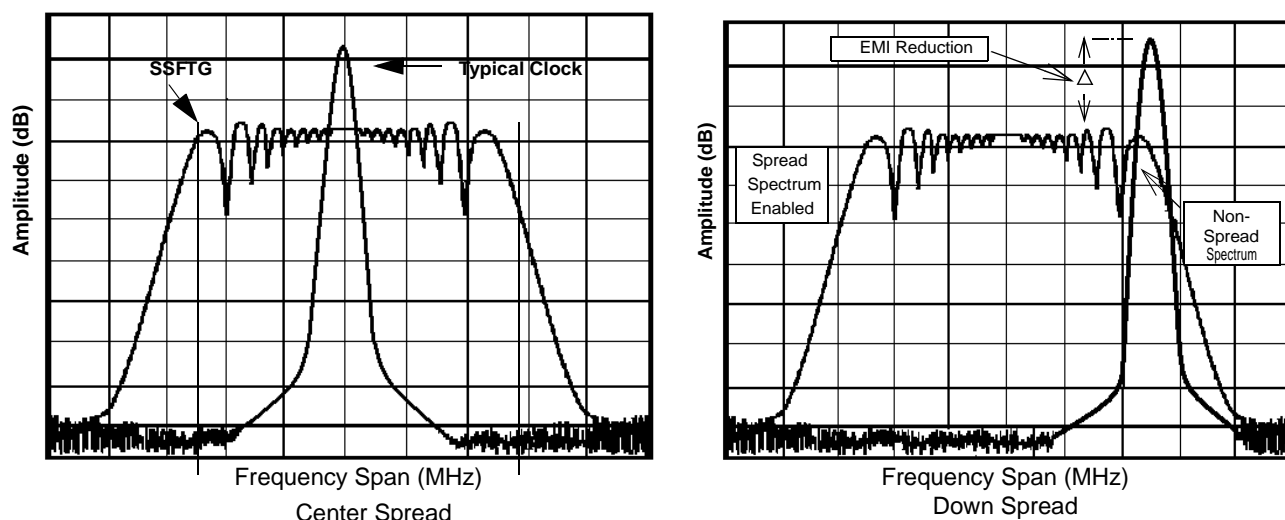


Figure 7. Clock Harmonic with and without SSCG Modulation Frequency Domain Representation.

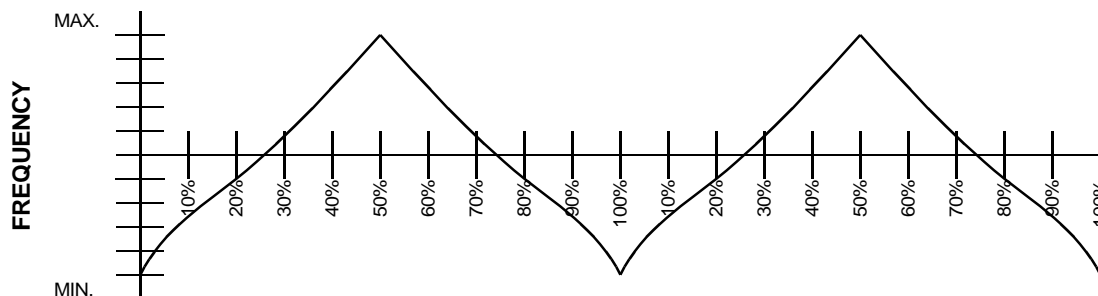


Figure 8. Typical Modulation Profile.

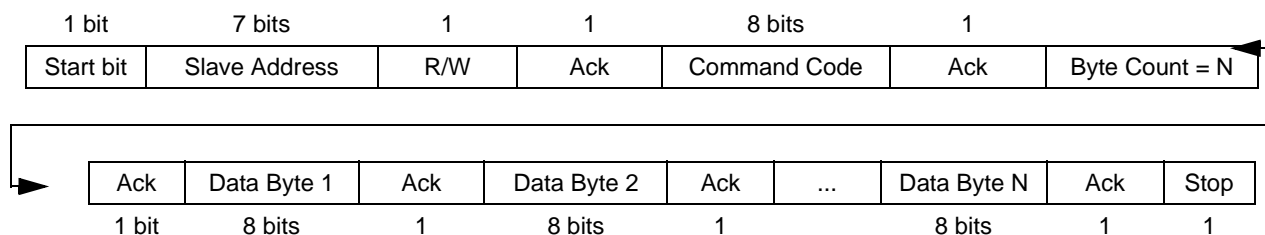


Figure 9. An Example of a Block Write^[6].

Serial Data Interface

The W229B features a two-pin, serial data interface that can be used to configure internal register settings that control particular device functions.

Data Protocol

The clock driver serial protocol accepts only block writes from the controller. The bytes must be accessed in sequential order from lowest to highest byte with the ability to stop after any complete byte has been transferred. Indexed bytes are not allowed.

A block write begins with a slave address and a write condition. After the command code the core logic issues a byte count which describes how many more bytes will follow in the message. If the host had 20 bytes to send, the first byte would be the number 20 (14h), followed by the 20 bytes of data. The byte count may not be 0. A block write command is allowed to

transfer a maximum of 32 data bytes. The slave receiver address for W229B is 11010010. *Figure 9* shows an example of a block write.

The command code and the byte count bytes are required as the first two bytes of any transfer. W229B expects a command code of 0000 0000. The byte count byte is the number of additional bytes required for the transfer, not counting the command code and byte count bytes. Additionally, the byte count byte is required to be a minimum of 1 byte and a maximum of 32 bytes to satisfy the above requirement. *Table 3* shows an example of a possible byte count value.

A transfer is considered valid after the acknowledge bit corresponding to the byte count is read by the controller. The command code and byte count bytes are ignored by the W229B. However, these bytes must be included in the data write sequence to maintain proper byte allocation.

Table 3. Example of Possible Byte Count Value

Byte Count Byte		Notes
MSB	LSB	
0000	0000	Not allowed. Must have at least one byte.
0000	0001	Data for functional and frequency select register (currently byte 0 in spec)
0000	0010	Reads first two bytes of data. (byte 0 then byte 1)
0000	0011	Reads first three bytes (byte 0, 1, 2 in order)
0000	0100	Reads first four bytes (byte 0, 1, 2, 3 in order)
0000	0101	Reads first five bytes (byte 0, 1, 2, 3, 4 in order) ^[7]
0000	0110	Reads first six bytes (byte 0, 1, 2, 3, 4, 5 in order) ^[7]
0000	0111	Reads first seven bytes (byte 0, 1, 2, 3, 4, 5, 6 in order)
0010	0000	Max. byte count supported = 32

Table 4. Serial Data Interface Control Functions Summary

Control Function	Description	Common Application
Output Disable	Any individual clock output(s) can be disabled. Disabled outputs are actively held LOW.	Unused outputs are disabled to reduce EMI and system power. Examples are clock outputs to unused PCI slots.
(Reserved)	Reserved function for future device revision or production device testing.	No user application. Register bit must be written as 0.

Notes:

- 6. The acknowledgment bit is returned by the slave/receiver (W229B).
- 7. Bytes 6 and 7 are not defined for W229B.

W229B Serial Configuration Map

1. The serial bits will be read by the clock driver in the following order:
 - Byte 0 - Bits 7, 6, 5, 4, 3, 2, 1, 0
 - Byte 1 - Bits 7, 6, 5, 4, 3, 2, 1, 0
 - Byte N - Bits 7, 6, 5, 4, 3, 2, 1, 0
2. All unused register bits (reserved and N/A) should be written to a "0" level.
3. All register bits labeled "Initialize to 0" must be written to zero during initialization. Failure to do so may result in higher than normal operating current. The controller will read back the written value.

Byte 0: Control Register (1 = Enable, 0 = Disable)^[8]

Bit	Pin#	Name	Default	Pin Function
Bit 7	-	Reserved	0	Reserved
Bit 6	-	Reserved	0	Reserved
Bit 5	-	Reserved	0	Reserved
Bit 4	-	Reserved	0	Reserved
Bit 3	-	Reserved	0	Reserved
Bit 2	24	SIO/24_48 MHz	1	(Active/Inactive)
Bit 1	22, 23	48 MHz	1	(Active/Inactive)
Bit 0	-	Reserved	0	Reserved

Byte 1: Control Register (1 = Enable, 0 = Disable)^[8]

Bit	Pin#	Name	Default	Pin Description
Bit 7	38	SDRAM7	1	(Active/Inactive)
Bit 6	41	SDRAM6	1	(Active/Inactive)
Bit 5	42	SDRAM5	1	(Active/Inactive)
Bit 4	43	SDRAM4	1	(Active/Inactive)
Bit 3	44	SDRAM3	1	(Active/Inactive)
Bit 2	47	SDRAM2	1	(Active/Inactive)
Bit 1	48	SDRAM1	1	(Active/Inactive)
Bit 0	49	SDRAM0	1	(Active/Inactive)

Byte 2: Control Register (1 = Enable, 0 = Disable)^[8]

Bit	Pin#	Name	Default	Pin Description
Bit 7	20	PCI7	1	(Active/Inactive)
Bit 6	19	PCI6	1	(Active/Inactive)
Bit 5	18	PCI5	1	(Active/Inactive)
Bit 4	16	PCI4	1	(Active/Inactive)
Bit 3	15	PCI3	1	(Active/Inactive)
Bit 2	13	PCI2	1	(Active/Inactive)
Bit 1	12	PCI1	1	(Active/Inactive)
Bit 0	11	PCI0	1	(Active/Inactive)

Note:

8. Inactive means outputs are held LOW and are disabled from switching. These outputs are designed to be configured at power-on and are not expected to be configured during the normal modes of operation.

Byte 3: Reserved Register (1 = Enable, 0 = Disable)

Bit	Pin#	Name	Default	Pin Description
Bit 7	-	Reserved	0	Reserved
Bit 6	-	Reserved	0	Reserved
Bit 5	-	Reserved	0	Reserved
Bit 4	-	Reserved	0	Reserved
Bit 3	55	APIC	1	(Active/Inactive)
Bit 2	-	Reserved	0	Reserved
Bit 1	-	Reserved	0	Reserved
Bit 0	-	Reserved	0	Reserved

Byte 4: Reserved Register (1 = Enable, 0 = Disable)

Bit	Pin#	Name	Default	Pin Function
Bit 7	-	SEL3	0	See Table 5
Bit 6	-	SEL2	0	See Table 5
Bit 5	-	SEL1	0	See Table 5
Bit 4	-	SEL0	0	See Table 5
Bit 3	-	FS(0:4) Override	0	0 = Select operating frequency by FS(0:4) strapping 1 = Select operating frequency by SEL(0:4) bit settings
Bit 2	-	SEL4	0	See Table 5
Bit 1	-	Reserved	0	Reserved
Bit 0	-	Test Mode	0	0 = Normal 1 = Three-stated

Byte 5: Reserved Register (1 = Enable, 0 = Disable)

Bit	Pin#	Name	Default	Pin Description
Bit 7	9	3V66_2	1	(Active/Inactive)
Bit 6	8	3V66_1	1	(Active/Inactive)
Bit 5	7	3V66_0	1	(Active/Inactive)
Bit 4	31	SDRAM12	1	(Active/Inactive)
Bit 3	32	SDRAM11	1	(Active/Inactive)
Bit 2	35	SDRAM10	1	(Active/Inactive)
Bit 1	36	SDRAM9	1	(Active/Inactive)
Bit 0	37	SDRAM8	1	(Active/Inactive)

Byte 6: Reserved Register (1 = Enable, 0 = Disable)

Bit	Pin#	Name	Default	Pin Description
Bit 7	-	Reserved	0	Reserved
Bit 6	-	Reserved	0	Reserved
Bit 5	-	Reserved	0	Reserved
Bit 4	-	Reserved	0	Reserved
Bit 3	-	Reserved	0	Reserved
Bit 2	-	Reserved	0	Reserved
Bit 1	-	Reserved	0	Reserved

Byte 6: Reserved Register (1 = Enable, 0 = Disable)

Bit	Pin#	Name	Default	Pin Description
Bit 0	-	Reserved	0	Reserved

Table 5. Additional Frequency Selections through Serial Data Interface Data Bytes

Input Conditions					Output Frequency					
Data Byte 4, Bit 3 = 1					CPU	SDRAM	3V66	PCI	APIC	Spread Spectrum
Bit 2 SEL_4	Bit 7 SEL_3	Bit 6 SEL_2	Bit 5 SEL_1	Bit 4 SEL_0						
0	0	0	0	0	75.3	113.0	75.3	37.6	18.8	OFF
0	0	0	0	1	95.0	95.0	63.3	31.6	15.8	-0.6%
0	0	0	1	0	129.0	129.0	86.0	43.0	21.5	OFF
0	0	0	1	1	150.0	113.0	75.3	37.6	18.8	OFF
0	0	1	0	0	150.0	150.0	75.0	37.5	18.7	OFF
0	0	1	0	1	110.0	110.0	73.0	36.6	18.3	OFF
0	0	1	1	0	140.0	140.0	70.0	35.0	17.5	OFF
0	0	1	1	1	144.0	108.0	72.0	36.0	18.0	OFF
0	1	0	0	0	68.3	102.5	68.3	34.1	17.0	OFF
0	1	0	0	1	105.0	105.0	70.0	35.0	17.5	OFF
0	1	0	1	0	138.0	138.0	69.0	34.5	17.0	OFF
0	1	0	1	1	140.0	105.0	70.0	35.0	17.5	OFF
0	1	1	0	0	66.8	100.2	66.8	33.4	16.7	±0.45%
0	1	1	0	1	100.2	100.2	66.8	33.4	16.7	±0.45%
0	1	1	1	0	133.6	133.6	66.8	33.4	16.7	±0.45%
0	1	1	1	1	133.6	100.2	66.8	33.4	16.7	±0.45%
1	0	0	0	0	157.3	118.0	78.6	39.3	19.6	OFF
1	0	0	0	1	160.0	120.0	80.0	40.0	20.0	OFF
1	0	0	1	0	146.6	110.0	73.3	36.6	18.3	OFF
1	0	0	1	1	122.0	91.5	61.0	30.5	15.2	-0.6%
1	0	1	0	0	127.0	127.0	84.6	42.3	21.1	OFF
1	0	1	0	1	122.0	122.0	81.3	40.6	20.3	-0.6%
1	0	1	1	0	117.0	117.0	78.0	39.0	19.5	OFF
1	0	1	1	1	114.0	114.0	76.0	38.0	19.0	OFF
1	1	0	0	0	80.0	120.0	80.0	40.0	20.0	OFF
1	1	0	0	1	78.0	117.0	78.0	39.0	19.5	OFF
1	1	0	1	0	166.0	124.5	83.0	41.5	20.7	OFF
1	1	0	1	1	133.6	133.6	89.0	44.5	22.2	OFF
1	1	1	0	0	66.6	100.0	66.6	33.3	16.6	-0.6%
1	1	1	0	1	100.0	100.0	66.6	33.3	16.6	-0.6%
1	1	1	1	0	133.3	133.3	66.6	33.3	16.6	-0.6%
1	1	1	1	1	133.3	100.0	66.6	33.3	16.6	-0.6%

DC Electrical Characteristics ^[9]

DC parameters must be sustainable under steady state (DC) conditions.

Absolute Maximum DC Power Supply

Parameter	Description	Min.	Max.	Unit
V _{DDQ3}	3.3V Core Supply Voltage	-0.5	4.6	V
V _{DDQ2}	2.5V I/O Supply Voltage	-0.5	3.6	V
T _s	Storage Temperature	-65	150	°C

Absolute Maximum DC I/O

Parameter	Description	Min.	Max.	Unit
V _{i/o3}	3.3V Core Supply Voltage	-0.5	4.6	V
V _{i/o3}	2.5V I/O Supply Voltage	-0.5	3.6	V
ESD prot.	Input ESD Protection	2000		V

DC Operating Requirements

Parameter	Description	Condition	Min.	Max.	Unit
V _{DD3}	3.3V Core Supply Voltage	3.3V±5%	3.135	3.465	V
V _{DDQ3}	3.3V I/O Supply Voltage	3.3V±5%	3.135	3.465	V
V _{DDQ2}	2.5V I/O Supply Voltage	2.5V±5%	2.375	2.625	V
V _{DD3} = 3.3V±5%					
V _{ih3}	3.3V Input High Voltage	V _{DD3}	2.0	V _{DD} + 0.3	V
V _{il3}	3.3V Input Low Voltage		V _{SS} - 0.3	0.8	V
I _{il}	Input Leakage Current ^[9]	0 < V _{in} < V _{DD3}	-5	+5	μA
V _{DDQ2} = 2.5V±5%					
V _{oh2}	2.5V Output High Voltage	I _{oh} =(-1 mA)	2.0		V
V _{ol2}	2.5V Output Low Voltage	I _{ol} =(1 mA)		0.4	V
V _{DDQ3} = 3.3V±5%					
V _{oh3}	3.3V Output High Voltage	I _{oh} =(-1 mA)	2.4		V
V _{ol3}	3.3V Output Low Voltage	I _{ol} =(1 mA)		0.4	V
V _{DDQ3} = 3.3V±5%					
V _{poh3}	PCI Bus Output High Voltage	I _{oh} =(-1 mA)	2.4		V
V _{pol3}	PCI Bus Output Low Voltage	I _{ol} =(1 mA)		0.55	V
C _{in}	Input Pin Capacitance			5	pF
C _{xtal}	Xtal Pin Capacitance		13.5	22.5	pF
C _{out}	Output Pin Capacitance			6	pF
L _{pin}	Pin Inductance		0	7	nH
T _a	Ambient Temperature	No Airflow	0	70	°C

Note:

9. Multiple Supplies: The voltage on any input or I/O pin cannot exceed the power pin during power-up. Power supply sequencing is NOT required.
 10. Input Leakage Current does not include inputs with pull-up or pull-down resistors.

AC Electrical Characteristics ^[9]

$T_A = 0^\circ\text{C to } +70^\circ\text{C}$, $V_{DDQ3} = 3.3\text{V}\pm 5\%$, $V_{DDQ2} = 2.5\text{V}\pm 5\%$
 $f_{XTL} = 14.31818\text{ MHz}$

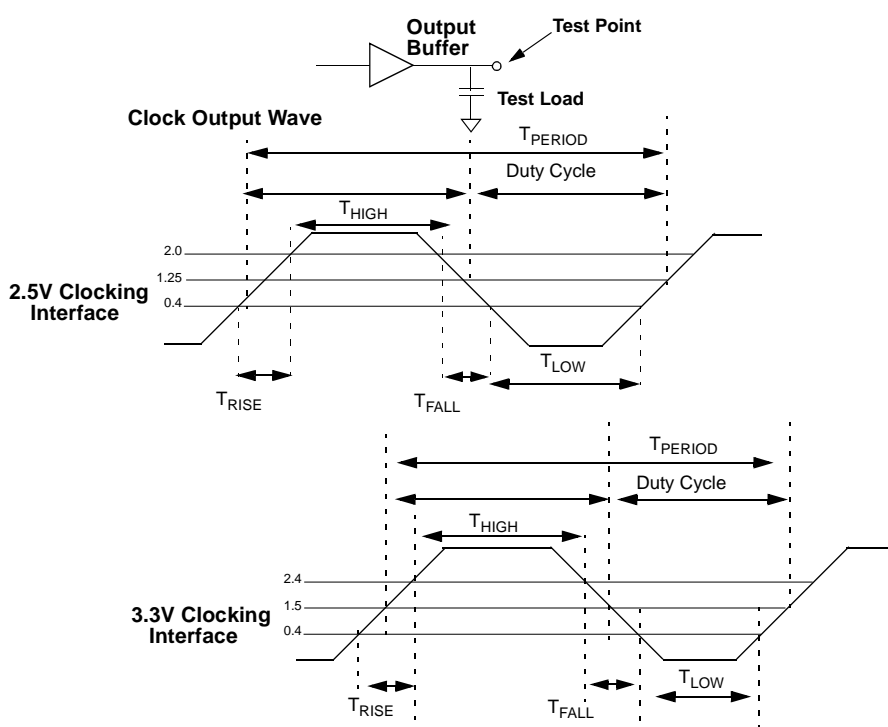
Parameter	Description	66.6-MHz Host		100-MHz Host		133-MHz Host		Unit	Notes
		Min.	Max.	Min.	Max.	Min.	Max.		
T_{Period}	Host/CPUCLK Period	15.0	15.5	10.0	10.5	7.5	8.0	ns	11
T_{HIGH}	Host/CPUCLK High Time	5.2	N/A	3.0	N/A	1.87	N/A	ns	14
T_{LOW}	Host/CPUCLK Low Time	5.0	N/A	2.8	N/A	1.67	N/A	ns	
T_{RISE}	Host/CPUCLK Rise Time	0.4	1.6	0.4	1.6	0.4	1.6	ns	15
T_{FALL}	Host/CPUCLK Fall Time	0.4	1.6	0.4	1.6	0.4	1.6	ns	15
T_{Period}	SDRAM CLK Period	10.0	10.5	10.0	10.5	10.0	10.5	ns	11
T_{HIGH}	SDRAM CLK High Time	3.0	N/A	3.0	N/A	3.0	N/A	ns	14
T_{LOW}	SDRAM CLK Low Time	2.8	N/A	2.8	N/A	2.8	N/A	ns	
T_{RISE}	SDRAM CLK Rise Time	0.4	1.6	0.4	1.6	0.4	1.6	ns	15
T_{FALL}	SDRAM CLK Fall Time	0.4	1.6	0.4	1.6	0.4	1.6	ns	15
T_{Period}	APIC 33-MHz CLK Period	30.0	N/A	30.0	N/A	30.0	N/A	ns	11
T_{HIGH}	APIC 33-MHz CLK High Time	12.0	N/A	12.0	N/A	12.0	N/A	ns	14
T_{LOW}	APIC 33-MHz CLK Low Time	12.0	N/A	12.0	N/A	12.0	N/A	ns	
T_{RISE}	APIC CLK Rise Time	0.4	1.6	0.4	1.6	0.4	1.6	ns	15
T_{FALL}	APIC CLK Fall Time	0.4	1.6	0.4	1.6	0.4	1.6	ns	15
T_{Period}	3V66 CLK Period	15.0	16.0	15.0	16.0	15.0	16.0	ns	11, 13
T_{HIGH}	3V66 CLK High Time	5.25	N/A	5.25	N/A	5.25	N/A	ns	14
T_{LOW}	3V66 CLK Low Time	5.05	N/A	5.05	N/A	5.05	N/A	ns	
T_{RISE}	3V66 CLK Rise Time	0.5	2.0	0.5	2.0	0.5	2.0	ns	15
T_{FALL}	3V66 CLK Fall Time	0.5	2.0	0.5	2.0	0.5	2.0	ns	15
T_{Period}	PCI CLK Period	30.0	N/A	30.0	N/A	30.0	N/A	ns	11, 12
T_{HIGH}	PCI CLK High Time	12.0	N/A	12.0	N/A	12.0	N/A	ns	14
T_{LOW}	PCI CLK Low Time	12.0	N/A	12.0	N/A	12.0	N/A	ns	
T_{RISE}	PCI CLK Rise Time	0.5	2.0	0.5	2.0	0.5	2.0	ns	15
T_{FALL}	PCI CLK Fall Time	0.5	2.0	0.5	2.0	0.5	2.0	ns	15
$t_{\text{pZL}}, t_{\text{pZH}}$	Output Enable Delay (All outputs)	1.0	10.0	1.0	10.0	1.0	10.0	ns	
$t_{\text{pLZ}}, t_{\text{pZH}}$	Output Disable Delay (All outputs)	1.0	10.0	1.0	10.0	1.0	10.0	ns	
t_{stable}	All Clock Stabilization from Power-Up		3		3		3	ms	

Notes:

- Period, jitter, offset, and skew measured on rising edge at 1.25 for 2.5V clocks and at 1.5V for 3.3V clocks.
- T_{HIGH} is measured at 2.0V for 2.5V outputs, 2.4V for 3.3V outputs.
- T_{LOW} is measured at 0.4V for all outputs.
- The time specified is measured from when V_{DDQ3} achieves its nominal operating level (typical condition $V_{DDQ3} = 3.3\text{V}$) until the frequency output is stable and operating within specification.
- T_{RISE} and T_{FALL} are measured as a transition through the threshold region $V_{\text{ol}} = 0.4\text{V}$ and $V_{\text{oh}} = 2.0\text{V}$ (1 mA) JEDEC specification for 2.5V outputs, and $V_{\text{ol}} = 0.4\text{V}$ and $V_{\text{oh}} = 2.4\text{V}$ for 3.3V outputs.

Group Skew and Jitter Limits

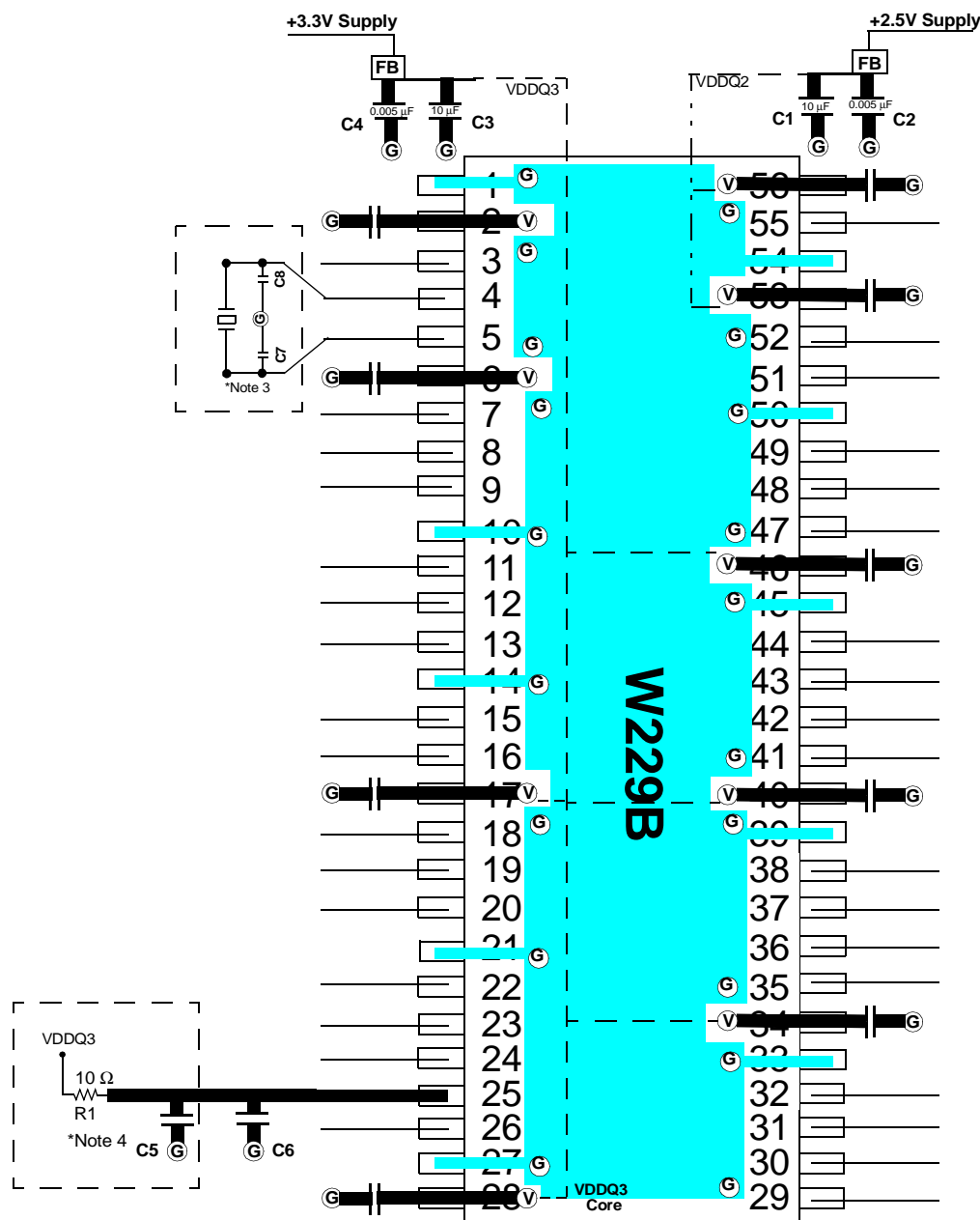
Output Group	Pin-Pin Skew Max.	Cycle-Cycle Jitter	Duty Cycle	Nom V_{DD}	Skew, Jitter Measure Point
CPU	175 ps	250 ps	45/55	2.5V	1.25V
SDRAM	250 ps	250 ps	45/55	3.3V	1.5V
APIC	250 ps	500 ps	45/55	2.5V	1.25V
48MHz	250 ps	500 ps	45/55	3.3V	1.5V
3V66	175 ps	500 ps	45/55	3.3V	1.5V
PCI	500 ps	500 ps	45/55	3.3V	1.5V
REF	N/A	1000 ps	45/55	3.3V	1.5V


Figure 10. Output Buffer.
Ordering Information

Ordering Code	Package Name	Package Type
W229B	H	56-pin SSOP (300 mils)

Intel is a registered trademark of Intel Corporation.

Layout Example



FB = Vishay Dale ILB1206 - 300 (300Ω @ 100 MHz) or TDK ACB2012L120

C1 & C3 = 10–22 μF C2 & C4 = 0.005 μF C5 = 10 μF C6 = 0.1 μF

ⓐ = VIA to GND plane layer Ⓥ = VIA to respective supply plane layer

Note: 1) Each supply plane or strip should have a ferrite bead and capacitors.

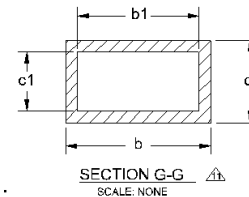
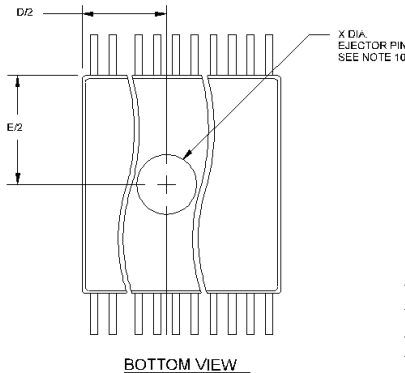
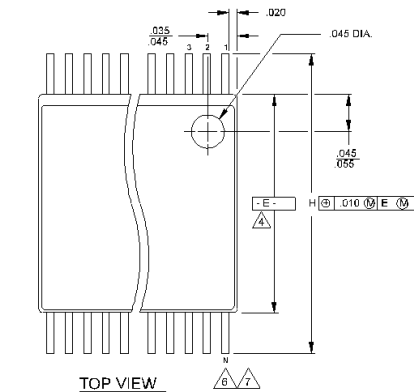
2) Bypass capacitors are 0.1 μF ceramic unless otherwise stated.

3) C7 and C8 can be used to correct the crystal oscillator frequency if the crystal used is specified for more than 18 pF Cload.

4) If an on-board video controller uses 48 MHz then use R1 and C5 to reduce long-term jitter on the 48 MHz clock. R1 can connect to VDDQ3, as shown, or to +3.3V supply.

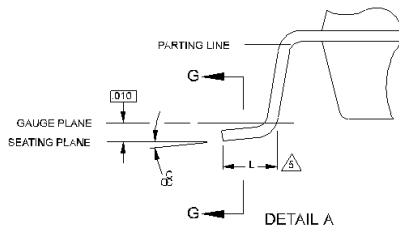
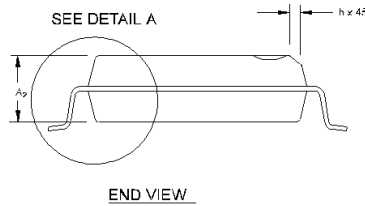
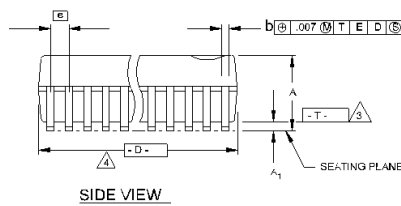
Package Diagram

56-Pin Shrink Small Outline Package (SSOP, 300 mils)



NOTES:

- ▲ MAXIMUM DIE THICKNESS ALLOWABLE IS .025.
- ▲ DIMENSIONING & TOLERANCING PER ANSI Y14.5M - 1982.
- ▲ "T" IS A REFERENCE DATUM.
- ▲ "D" & "E" ARE REFERENCE DATUMS AND DO NOT INCLUDE MOLD FLASH OR PROTRUSIONS, BUT DOES INCLUDE MOLD MISMATCH AND ARE MEASURED AT THE MOLD PARTING LINE. MOLD FLASH OR PROTRUSIONS SHALL NOT EXCEED .006 INCHES PER SIDE.
- ▲ "L" IS THE LENGTH OF TERMINAL FOR SOLDERING TO A SUBSTRATE.
- ▲ "N" IS THE NUMBER OF TERMINAL POSITIONS.
- ▲ TERMINAL POSITIONS ARE SHOWN FOR REFERENCE ONLY.
- ▲ FORMED LEADS SHALL BE PLANAR WITH RESPECT TO ONE ANOTHER WITHIN .003 INCHES AT SEATING PLANE.
- ▲ CONTROLLING DIMENSION: INCHES.
- 10. COUNTRY OF ORIGIN LOCATION AND EJECTOR PIN ON PACKAGE BOTTOM IS OPTIONAL AND DEPENDS ON ASSEMBLY LOCATION.
- ▲ THESE DIMENSIONS APPLY TO THE FLAT SECTION OF THE LEAD BETWEEN .005 INCHES AND .010 INCHES FROM THE LEAD TIPS.
- 12. THIS PART IS COMPLIANT WITH JEDEC SPECIFICATION MO-118, VARIATIONS AA, AB, EXCEPT CHAMFER DIMENSION h. JEDEC SPECIFICATION FOR h IS .015"/.025".



SYMBOL	COMMON DIMENSIONS			NOTE VARIATIONS	4 D			6 N
	MIN.	NOM.	MAX.		MIN.	NOM.	MAX.	
A	.095	.102	.110	AA	.620	.625	.630	48
A ₁	.008	.012	.016	AB	.720	.725	.730	56
A ₂	.088	.090	.092					
b	.008	.010	.0135					
b ₁	.008	.010	.012					
c	.005	-	.010					
c ₁	.005	.006	.0085					
D	SEE VARIATIONS			4				
E	.292	.296	.299					
e	.025 BSC							
H	.400	.406	.410					
h	.010	.013	.016					
L	.024	.032	.040					
N	SEE VARIATIONS			6				
X	.085	.093	.100	10				
αE	0°	5°	8°					

THIS TABLE IN INCHES

SYMBOL	COMMON DIMENSIONS			NOTE VARIATIONS	4 D			6 N
	MIN.	NOM.	MAX.		MIN.	NOM.	MAX.	
A	2.41	2.59	2.79	AA	15.75	15.88	16.00	48
A ₁	0.20	0.31	0.41	AB	18.29	18.42	18.54	56
A ₂	2.24	2.29	2.34					
b	0.203	0.254	0.343					
b ₁	0.203	0.254	0.305					
c	0.127	-	0.254					
c ₁	0.127	0.152	0.216					
D	SEE VARIATIONS			4				
E	7.42	7.52	7.59					
e	0.635 BSC							
H	10.16	10.31	10.41					
h	0.25	0.33	0.41					
L	0.61	0.81	1.02					
N	SEE VARIATIONS			6				
X	2.16	2.36	2.54	10				
αE	0°	5°	8°					

THIS TABLE IN MILLIMETERS

Document Title: W229B Frequency Generator for Integrated Core Logic with 133-MHz FSB
Document Number: 38-07223

REV.	ECN NO.	Issue Date	Orig. of Change	Description of Change
**	110488	10/21/01	SZV	Change from Spec number: 38-00889 to 38-07223
*A	122840	12/21/02	RBI	Added power up requirements to Recommended Operating Conditions