

# 250MHz, Rail-to-Rail Input/Output High Speed Operational Amplifiers

## Features

- 250MHz @ -3dB bandwidth
- Operates on 2.5V ~ 5.5V Supplies
- Slew Rate: 150V/ $\mu$ s
- Rail-to-Rail Input and Output (RRIO)
- Low Quiescent Current: 2.6mA
- Unity Gain Stable
- No Phase Reversal
- Extended Temperature Ranges  
From -40°C to +125°C
- Small Packaging  
COS8051 available in SOT23-5/SOP-8  
COS8052 available in SOP-8/MSOP-8  
COS8054 available in SOP14/TSSOP14

## Applications

- Coaxial cable drivers
- Active filters
- Video and Cameras
- CCD imaging systems
- Clock buffers
- Base stations
- A-to-D Drivers

## General Description

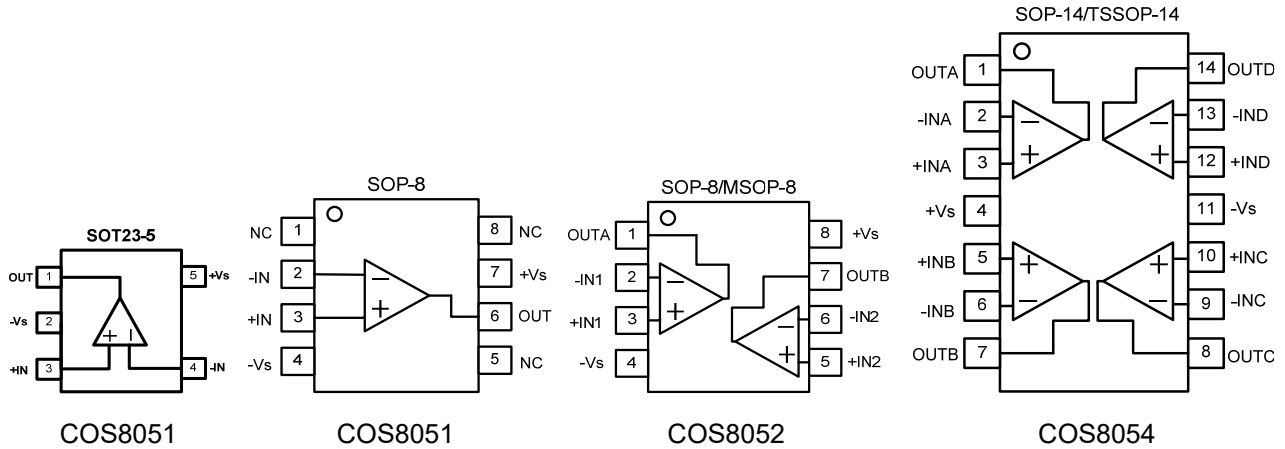
The COS8051(single), COS8052(dual) and COS8054(quad) are low cost, voltage feedback, rail-to-rail input and output, high speed amplifiers operated on 2.5 to 5.5 supplies. They have bandwidth and slew rate typically found in current feedback amplifiers. The wide bandwidth and fast slew rate make these amplifiers useful in many general-purpose, high speed applications.

Despite their low cost, the COS8051/2/4 family provide excellent overall performance and versatility. They have both rail-to-rail input and output range. The output voltage swing extends to within 10 mV of each rail, providing the maximum output dynamic range with excellent overdrive recovery. This makes the COS8051/2/4 family useful for video electronics, such as cameras, video switchers, or any high speed portable equipment. Low distortion and fast settling make them ideal for active filter applications.

Rev1.0  
Copyright©2018 Cosine Nanoelectronics Inc. All rights reserved

The information provided here is believed to be accurate and reliable. Cosine Nanoelectronics assumes no reliability for inaccuracies and omissions. Specifications described and contained here are subjected to change without notice on the purpose of improving the design and performance. All of this information described herein should not be implied or granted for any third party.

## 1. Pin Configuration and Functions



### Pin Functions

| Name | Description                     | Note   |
|------|---------------------------------|--|
| +Vs  | Positive power supply           | A bypass capacitor of 0.1 $\mu$ F as close to the part as possible should be placed between power supply pins or between supply pins and ground. |
| -Vs  | Negative power supply or ground | If it is not connected to ground, bypass it with a capacitor of 0.1 $\mu$ F as close to the part as possible.                                    |
| -IN  | Negative input                  | Inverting input of the amplifier. Voltage range of this pin can go from -Vs -0.3V to +Vs + 0.3V.   |
| +IN  | Positive input                  | Non-inverting input of the amplifier. This pin has the same voltage range as -IN.  |
| OUT  | Output                          | The output voltage range extends to within millivolts of each supply rail.   |
| NC   | No connection                   |  |

## 2. Package and Ordering Information

| Model   | Channel | Order Number | Package  | Package Option      | Marking Information |
|---------|---------|--------------|----------|---------------------|---------------------|
| COS8051 | 1       | COS8051TR    | SOT23-5  | Tape and Reel, 3000 | C8051               |
|         |         | COS8051SR    | SOP-8    | Tape and Reel, 3000 | COS8051             |
| COS8052 | 2       | COS8052SR    | SOP-8    | Tape and Reel, 3000 | COS8052             |
|         |         | COS8052MR    | MSOP-8   | Tape and Reel, 3000 | COS8052             |
| COS8054 | 4       | COS8054SR    | SOP-14   | Tape and Reel, 3000 | COS8054             |
|         |         | COS8054TR    | TSSOP-14 | Tape and Reel, 3000 | COS8054             |

### 3. Product Specification

#### 3.1 Absolute Maximum Ratings <sup>(1)</sup>

| Parameter                    | Rating                  | Units |
|------------------------------|-------------------------|-------|
| Power Supply: +Vs to -Vs     | 6                       | V     |
| Input Voltage                | -Vs -0.5V to +Vs + 0.5V | V     |
| Input Current <sup>(2)</sup> | 10                      | mA    |
| Storage Temperature Range    | -65 to 150              | °C    |
| Junction Temperature         | 150                     | °C    |
| Operating Temperature Range  | -40 to 125              | °C    |
| ESD Susceptibility, HBM      | 2000                    | V     |

(1) Stresses exceeding the absolute maximum ratings may damage the device. The device may not function or be operable above the recommended operating conditions and stressing the parts to these levels is not recommended. In addition, extended exposure to stresses above the recommended operating conditions may affect device reliability. The absolute maximum ratings are stress ratings only.

(2) Input terminals are diode-clamped to the power-supply rails. Input signals that can swing more than 0.5V beyond the supply rails should be current-limited to 10mA or less.

#### 3.2 Thermal Data

| Parameter                  | Rating  | Unit |
|----------------------------|---|------|
| Package Thermal Resistance | 190 (SOT23-5)<br>206 (MSOP8)<br>155 (SOP8)<br>105 (TSSOP14)<br>82 (SOP14) | °C/W |

#### 3.3 Recommended Operating Conditions

| Parameter                       | Rating      | Unit |
|---------------------------------|-------------|------|
| DC Supply Voltage               | 2.5V ~ 5.5V | V    |
| Input common-mode voltage range | -Vs ~ +Vs   | V    |
| Operating ambient temperature   | -40 to +85  | °C   |

### 3.4 Electrical Characteristics

(+V<sub>S</sub>=+5V, -V<sub>S</sub>=0, V<sub>CM</sub>=V<sub>S</sub>/2, T<sub>A</sub>=+25°C, R<sub>L</sub>=2kΩ to V<sub>S</sub>/2, unless otherwise noted)

| Parameter                      | Symbol               | Conditions                      | Min  | Typ  | Max | Unit   |
|--------------------------------|----------------------|---------------------------------|------|------|-----|--------|
| <b>Input Characteristics</b>   |                      |                                 |      |      |     |        |
| Input Offset Voltage           | V <sub>OS</sub>      |                                 |      | ±0.6 | ±5  | mV     |
| Input Offset Voltage Drift     | ΔV <sub>OS</sub> /ΔT | -40 to 125°C                    |      | ±2.0 |     | μV/°C  |
| Input Bias Current             | I <sub>B</sub>       |                                 |      | ±2.5 |     | pA     |
| Input Offset Current           | I <sub>OS</sub>      |                                 |      | ±2.5 |     | pA     |
| Common-Mode Voltage Range      | V <sub>CM</sub>      |                                 | -0.1 |      | 5.6 | V      |
| Common-Mode Rejection Ratio    | CMRR                 | V <sub>CM</sub> = 0.1V to 11.9V |      | 125  |     | dB     |
| Open-Loop Voltage Gain         | AOL                  | V <sub>O</sub> = 0.2V to 11.8V  |      | 120  |     | dB     |
| <b>Output Characteristics</b>  |                      |                                 |      |      |     |        |
| Output Voltage Swing from Rail |                      | R <sub>L</sub> = 10kΩ           |      | 10   |     | mV     |
|                                |                      | R <sub>L</sub> = 2kΩ            |      | 25   |     | mV     |
|                                |                      | R <sub>L</sub> = 150Ω           |      | 200  |     | mV     |
| Short-Circuit Current          | I <sub>SR</sub>      | Sourcing                        |      | 100  |     | mA     |
|                                | I <sub>SK</sub>      | Sinking                         |      | 120  |     | mA     |
| <b>Power Supply</b>            |                      |                                 |      |      |     |        |
| Operating Voltage Range        |                      |                                 | 2.5  |      | 5.5 | V      |
| Power Supply Rejection Ratio   | PSRR                 | V <sub>S</sub> = 2.5V to 5.5V   |      | 90   |     | dB     |
| Quiescent Current / Amplifier  | I <sub>Q</sub>       | V <sub>S</sub> = 5V             |      | 2.6  |     | mA     |
| <b>Dynamic Performance</b>     |                      |                                 |      |      |     |        |
| Gain Bandwidth Product         | GBWP                 | G = +1                          |      | 250  |     | MHz    |
| Slew Rate                      | SR                   | G = +1, 2V Output Step          |      | 150  |     | V/μs   |
| Settling Time to 0.1%          | t <sub>s</sub>       | G = +1, 2V Output Step          |      | 50   |     | ns     |
| <b>Noise Performance</b>       |                      |                                 |      |      |     |        |
| Voltage Noise Density          | e <sub>n</sub>       | f = 1kHz                        |      | 8    |     | nV/√Hz |

## 4.0 Application Notes

### Driving Capacitive Loads

Driving large capacitive loads can cause stability problems for voltage feedback op amps. As the load capacitance increases, the feedback loop's phase margin decreases, and the closed loop bandwidth is reduced. This produces gain peaking in the frequency response, with overshoot and ringing in the step response. A unity gain buffer ( $G = +1$ ) is the most sensitive to capacitive loads, but all gains show the same general behavior.

When driving large capacitive loads with these op amps (e.g.,  $> 100$  pF when  $G = +1$ ), a small series resistor at the output ( $R_{ISO}$  in Figure 1) improves the feedback loop's phase margin (stability) by making the output load resistive at higher frequencies. It does not, however, improve the bandwidth.

To select  $R_{ISO}$ , check the frequency response peaking (or step response overshoot) on the bench. If the response is reasonable, you do not need  $R_{ISO}$ . Otherwise, start  $R_{ISO}$  at  $1\text{ k}\Omega$  and modify its value until the response is reasonable.

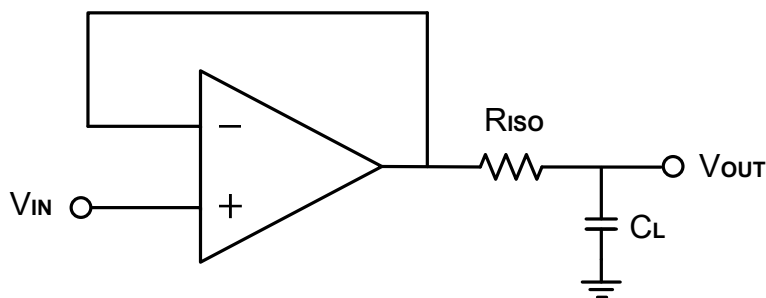


Figure 1. Indirectly Driving Heavy Capacitive Load

An improvement circuit is shown in Figure 2. It provides DC accuracy as well as AC stability.  $R_F$  provides the DC accuracy by connecting the inverting signal with the output,  $C_F$  and  $R_{ISO}$  serve to counteract the loss of phase margin by feeding the high frequency component of the output signal back to the amplifier's inverting input, thereby preserving phase margin in the overall feedback loop.

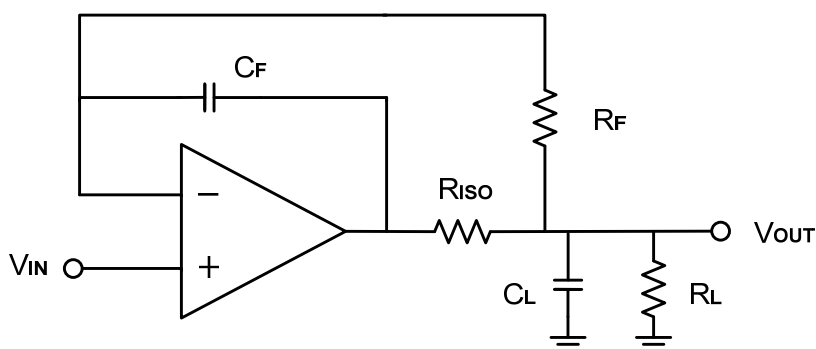


Figure 2. Indirectly Driving Heavy Capacitive Load with DC Accuracy

For noninverting configuration, there are two others ways to increase the phase margin: (a) by increasing the amplifier's gain or (b) by placing a capacitor in parallel with the feedback resistor to counteract the parasitic capacitance associated with inverting node, as shown in Figure 3.

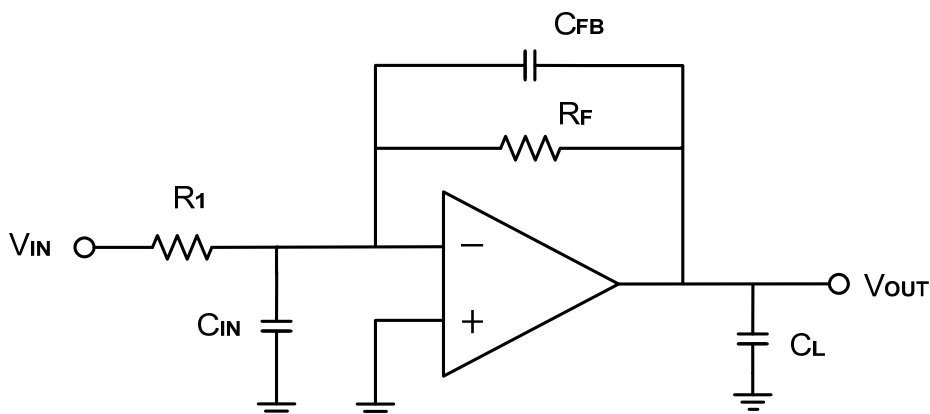


Figure 3. Adding a Feedback Capacitor in the Noninverting Configuration

## Power-Supply Bypassing and Layout

The COS8051/2/4 operates from a single +2.5V to +5.5V supply or dual  $\pm 1.25\text{V}$  to  $\pm 2.25\text{V}$  supplies. For single-supply operation, bypass the power supply +Vs with a  $0.1\mu\text{F}$  ceramic capacitor which should be placed close to the +Vs pin. For dual-supply operation, both the +Vs and the -Vs supplies should be bypassed to ground with separate  $0.1\mu\text{F}$  ceramic capacitors.  $2.2\mu\text{F}$  tantalum capacitor can be added for better performance.

The length of the current path is directly proportional to the magnitude of parasitic inductances and thus the high frequency impedance of the path. High speed currents in an inductive ground return create an unwanted voltage noise. Broad ground plane areas will reduce the parasitic inductance. Thus a ground plane layer is important for high speed circuit design.

## Typical Application Circuits

### Differential Amplifier

The circuit shown in Figure 4 performs the differential function. If the resistors ratios are equal ( $R_4 / R_3 = R_2 / R_1$ ), then  $V_{OUT} = (V_{IP} - V_{IN}) \times R_2 / R_1 + V_{REF}$ .

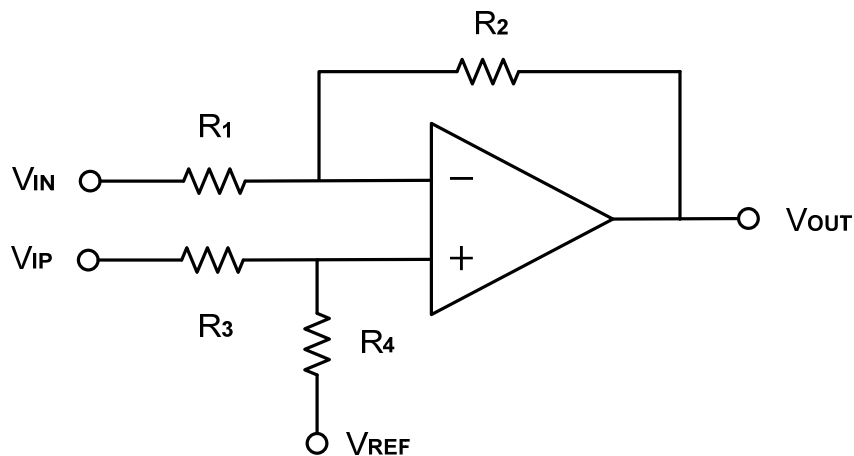


Figure 4. Differential Amplifier

### Low Pass Active Filter

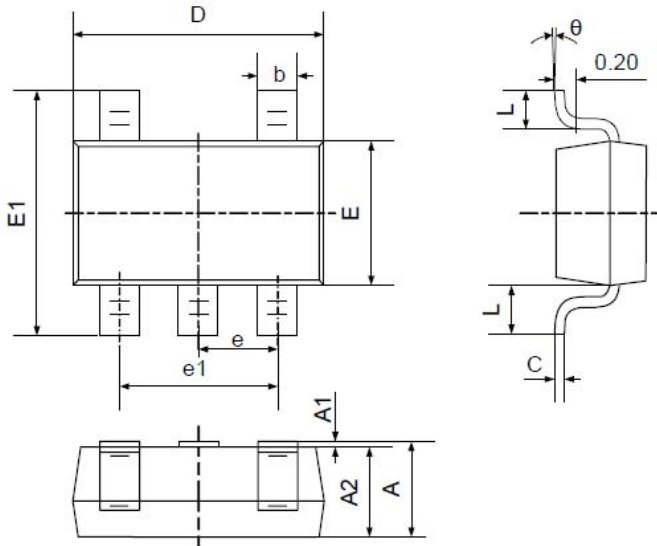
When receiving low-level signals, limiting the bandwidth of the incoming signals into the system is often required. The simplest way to establish this limited bandwidth is to place an RC filter at the noninverting terminal of the amplifier. If even more attenuation is needed, a multiple pole filter is required. The Sallen-Key filter can be used for this task, as Figure 5. For best results, the amplifier should have a bandwidth that is 8 to 10 times the filter frequency bandwidth. Failure to follow this guideline can result in reduction of phase margin. The large values of feedback resistors can couple with parasitic capacitance and cause undesired effects such as ringing or oscillation in high-speed amplifiers. Keep resistors value as low as possible and consistent with output loading consideration.



Figure 5. Two-Pole Low-Pass Sallen-Key Active Filter

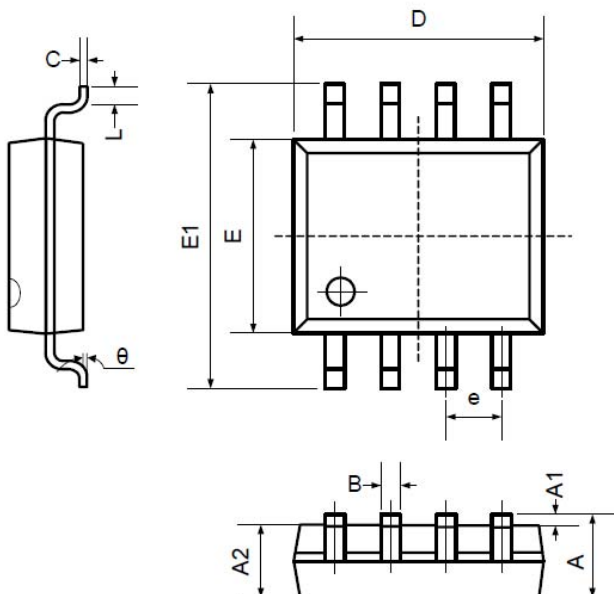
## 5. Package Information

### 5.1 SOT23-5 (Package Outline Dimensions)



| Symbol   | Dimensions In Millimeters |       | Dimensions In Inches |       |
|----------|---------------------------|-------|----------------------|-------|
|          | Min                       | Max   | Min                  | Max   |
| A        | 1.050                     | 1.250 | 0.041                | 0.049 |
| A1       | 0.000                     | 0.100 | 0.000                | 0.004 |
| A2       | 1.050                     | 1.150 | 0.041                | 0.045 |
| b        | 0.300                     | 0.400 | 0.012                | 0.016 |
| c        | 0.100                     | 0.200 | 0.004                | 0.008 |
| D        | 2.820                     | 3.020 | 0.111                | 0.119 |
| E        | 1.500                     | 1.700 | 0.059                | 0.067 |
| E1       | 2.650                     | 2.950 | 0.104                | 0.116 |
| e        | 0.950TYP                  |       | 0.037TYP             |       |
| e1       | 1.800                     | 2.000 | 0.071                | 0.079 |
| L        | 0.700REF                  |       | 0.028REF             |       |
| L1       | 0.300                     | 0.600 | 0.012                | 0.024 |
| $\theta$ | 0°                        | 8°    | 0°                   | 8°    |

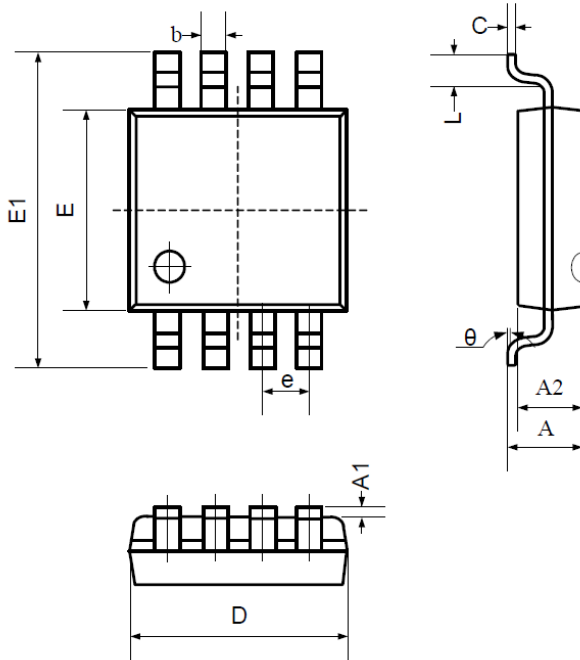
### 5.2 SOP8 (Package Outline Dimensions)



| Symbol   | Dimensions In Millimeters |       | Dimensions In Inches |       |
|----------|---------------------------|-------|----------------------|-------|
|          | Min                       | Max   | Min                  | Max   |
| A        | 1.350                     | 1.750 | 0.053                | 0.069 |
| A1       | 0.100                     | 0.250 | 0.004                | 0.010 |
| A2       | 1.350                     | 1.550 | 0.053                | 0.061 |
| B        | 0.330                     | 0.510 | 0.013                | 0.020 |
| C        | 0.190                     | 0.250 | 0.007                | 0.010 |
| D        | 4.780                     | 5.000 | 0.188                | 0.197 |
| E        | 3.800                     | 4.000 | 0.150                | 0.157 |
| E1       | 5.800                     | 6.300 | 0.228                | 0.248 |
| e        | 1.270TYP                  |       | 0.050TYP             |       |
| L        | 0.400                     | 1.270 | 0.016                | 0.050 |
| $\theta$ | 0°                        | 8°    | 0°                   | 8°    |



5.3 MSOP8 (Package Outline Dimensions)



| Symbol | Dimensions In Millimeters |       | Dimensions In Inches |       |
|--------|---------------------------|-------|----------------------|-------|
|        | Min                       | Max   | Min                  | Max   |
| A      | 0.800                     | 1.200 | 0.031                | 0.047 |
| A1     | 0.000                     | 0.200 | 0.000                | 0.008 |
| A2     | 0.760                     | 0.970 | 0.030                | 0.038 |
| b      | 0.30 TYP                  |       | 0.012 TYP            |       |
| c      | 0.15 TYP                  |       | 0.006 TYP            |       |
| D      | 2.900                     | 3.100 | 0.114                | 0.122 |
| e      | 0.65 TYP                  |       | 0.026 TYP            |       |
| E      | 2.900                     | 3.100 | 0.114                | 0.122 |
| E1     | 4.700                     | 5.100 | 0.185                | 0.201 |
| L      | 0.410                     | 0.650 | 0.016                | 0.026 |
| θ      | 0°                        | 6°    | 0°                   | 6°    |

5.4 SOP14 (Package Outline Dimensions)



| Symbol | Dimensions In Millimeters |      |      |
|--------|---------------------------|------|------|
|        | MIN                       | NOM  | MAX  |
| A      | 1.35                      | 1.60 | 1.75 |
| A1     | 0.10                      | 0.15 | 0.25 |
| A2     | 1.25                      | 1.45 | 1.65 |
| A3     | 0.55                      | 0.65 | 0.75 |
| b      | 0.36                      |      | 0.49 |
| b1     | 0.35                      | 0.40 | 0.45 |
| c      | 0.16                      |      | 0.25 |
| c1     | 0.15                      | 0.20 | 0.25 |
| D      | 8.53                      | 8.63 | 8.73 |
| E      | 5.80                      | 6.00 | 6.20 |
| E1     | 3.80                      | 3.90 | 4.00 |
| e      | 1.27 BSC                  |      |      |
| L      | 0.45                      | 0.60 | 0.80 |
| L1     | 1.04 REF                  |      |      |
| L2     | 0.25 BSC                  |      |      |
| R      | 0.07                      |      |      |
| R1     | 0.07                      |      |      |
| h      | 0.30                      | 0.40 | 0.50 |
| θ      | 0°                        |      | 8°   |
| θ1     | 6°                        | 8°   | 10°  |
| θ2     | 6°                        | 8°   | 10°  |
| θ3     | 5°                        | 7°   | 9°   |
| θ4     | 5°                        | 7°   | 9°   |

**5.5 TSSOP14 (Package Outline Dimensions)**


| Symbol     | Dimensions In Millimeters |      |      |
|------------|---------------------------|------|------|
|            | MIN                       | NOM  | MAX  |
| A          | —                         | —    | 1.20 |
| A1         | 0.05                      | —    | 0.15 |
| A2         | 0.90                      | 1.00 | 1.05 |
| A3         | 0.34                      | 0.44 | 0.54 |
| b          | 0.20                      | —    | 0.28 |
| b1         | 0.20                      | 0.22 | 0.24 |
| c          | 0.10                      | —    | 0.19 |
| c1         | 0.10                      | 0.13 | 0.15 |
| D          | 4.86                      | 4.96 | 5.06 |
| E          | 6.20                      | 6.40 | 6.60 |
| E1         | 4.30                      | 4.40 | 4.50 |
| e          | 0.65 BSC                  |      |      |
| L          | 0.45                      | 0.60 | 0.75 |
| L1         | 1.00 REF                  |      |      |
| L2         | 0.25 BSC                  |      |      |
| R          | 0.09                      | —    | —    |
| R1         | 0.09                      | —    | —    |
| S          | 0.20                      | —    | —    |
| $\theta_1$ | 0°                        | —    | 8°   |
| $\theta_2$ | 10°                       | 12°  | 14°  |
| $\theta_3$ | 10°                       | 12°  | 14°  |

**6. Related Parts**

| Part Number       | Description   |
|-------------------|---|
| COS6041/2/4       | 24kHz, 0.5 $\mu$ A, RRIO Op Amps, 1.8 to 5.5V Supply                              |
| COS1347/2347/4347 | 350kHz, 15 $\mu$ A, RRIO Op Amps, 1.8 to 5.5V Supply                              |
| COS6001/2/4       | 1.5MHz, 50 $\mu$ A, RRIO Op Amps, 1.8 to 5.5V Supply                              |
| COS1314/2314/4314 | 3MHz, 150 $\mu$ A, RRIO Op Amps, 1.8 to 5.5V Supply                               |
| COS821/2/4        | 5MHz, 300 $\mu$ A, RRIO Op Amps, 1.8 to 5.5V Supply                               |
| COS1374/2374/4374 | 7MHz, 500 $\mu$ A, RRIO Op Amps, 1.8 to 5.5V Supply                               |
| COS721/2/4        | 10MHz, 650 $\mu$ A, RRIO Op Amps, 2.1 to 5.5V Supply                              |
| COS1333/2333/4333 | 0.35MHz, 18 $\mu$ A, RRIO Op Amps, 1.8 to 5.5V Supply, Zero Drift, Vos<20 $\mu$ V |
| COS8551/2/4       | 1.5MHz, 55 $\mu$ A, RRIO Op Amps, 1.8 to 5.5V Supply, Zero Drift, Vos<10 $\mu$ V  |