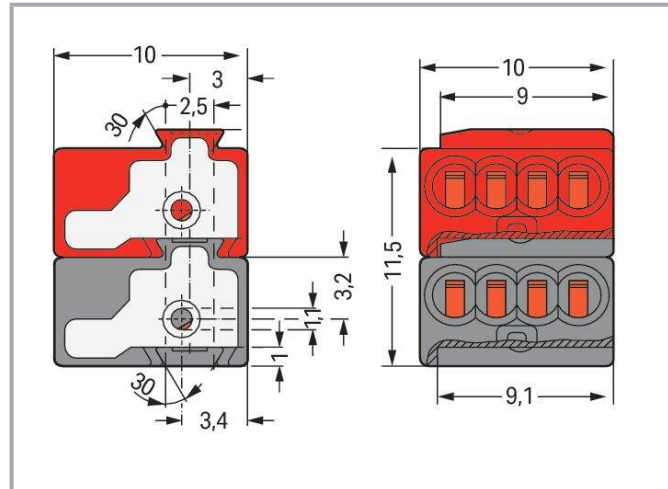


Data sheet | Item number: 243-211

4-conductor modular PCB connector; PUSH WIRE®; 0.8 mm Ø; Pin spacing 5.75 mm; 2-pole; for individual solder pins; for KNX; dark gray/red

www.wago.com/243-211



Item description

- Compact, 4-conductor KNX/EIB connectors with PUSH WIRE® connection
- Push-in termination of solid conductors
- Four-conductor entries allow devices to be replaced without disrupting the KNX/EIB bus connection

Data

Electrical data

Ratings per IEC/EN

Ratings per	IEC/EN 60664-1
Nominal voltage (III/3)	250 V
Rated impulse voltage (III/3)	4 kV
Rated voltage (III/2)	100 V
Rated impulse voltage (III/2)	4 kV

Subject to changes. Please also observe the further product documentation!

WAGO GmbH & Co. KG
Hansastr. 27
32423 Minden
Phone: +49571 887-0 | Fax: +49571 887-169
Email: info.de@wago.com | Web: www.wago.com

Do you have any questions about our products?
We are always happy to take your call at +49 (571) 887-44222.



Nominal voltage (II/2)	630 V
Rated surge voltage (II/2)	4 kV
Rated current	6 A
Legend (ratings)	(III / 2) \triangleq Overvoltage category III / Pollution degree 2

Connection data

Connection points	8
Total number of potentials	2
Number of connection types	1
Number of levels	1

Connection 1

Connection technology	PUSH WIRE [®]
Solid conductor	22 ... 20 AWG
Conductor diameter	0.6 ... 0.8 mm / 22 ... 20 AWG
Conductor diameter (note)	When using different conductor diameters
Strip length	5 ... 6 mm / 0.2 ... 0.24 inches
Pole number	2

Connection 2

Solid conductor 2	18 AWG
Conductor diameter 2	1 mm / 18 AWG
Conductor diameter (note) 2	When using identical conductor diameters

Physical data

Width	10 mm / 0.394 inches
Height	11.5 mm / 0.453 inches
Depth	10 mm / 0.394 inches

Plug-in connection

Contact type (pluggable connector)	Female connector/socket
Connector (connection type)	for conductor

Material data

Note (material data)

[Information on material specifications can be found here](#)

Subject to changes. Please also observe the further product documentation!



Color	dark gray/red
Material group	I
Insulation material	Polyamide (PA66)
Flammability class per UL94	V0
Clamping spring material	Chrome-nickel spring steel (CrNi)
Contact material	Electrolytic copper (E _{Cu})
Contact plating	Tin
Fire load	0.024 MJ
Weight	1.5 g

Environmental requirements

Limit temperature range	-60 ... +105 °C
Continuous operating temperature	-60 °C

Commercial data

eCl@ss 10.0	27-14-11-04
eCl@ss 9.0	27-14-11-04
ETIM 8.0	EC000446
ETIM 7.0	EC000446
ECCN	NO DATA
PU (SPU)	500 (50) pcs
Packaging type	box
Country of origin	DE
GTIN	4055143962315
Customs tariff number	85369010000

Environmental Product Compliance

RoHS Compliance Status	Compliant, No Exemption
------------------------	-------------------------

Approvals / Certificates



General approvals

Logo	Approval	Additional Approval Text	Certificate name
	UR Underwriters Laboratories Inc.	UL 1059	E45172

Subject to changes. Please also observe the further product documentation!



Declarations of conformity and manufacturer's declarations

Logo	Approval	Additional Approval Text	Certificate name
	EU-Declaration of Conformity WAGO GmbH & Co. KG	-	-
	UK-Declaration of Conformity WAGO GmbH & Co. KG	-	-

Optional accessories

Marking accessories

Marking strip



Item no.: 210-332/575-103

Marking strips; as a DIN A4 sheet; MARKED; 1-12 (160x); Height of marker strip: 3 mm; Strip length 182 mm; Horizontal marking; Self-adhesive; white

www.wago.com/210-332/575-103

Downloads

Documentation

Additional Information

Technical Section	2019 年4月3日	pdf	Download
Technical explanations		2.1 MB	

CAD/CAE-Data

CAD data

2D/3D Models 243-211	URL	Download
----------------------	-----	----------

CAE data

EPLAN Data Portal 243-211	URL	Download
---------------------------	-----	----------

W3CAD | Inverter 243-211

Subject to changes. Please also observe the further product documentation!

WAGO GmbH & Co. KG

Hansastr. 27

32423 Minden

Phone: +49571 887-0 | Fax: +49571 887-169

Email: info.de@wago.com | Web: www.wago.com

Do you have any questions about our products?

We are always happy to take your call at +49 (571) 887-44222.



WAGO Universe 243-211

[URL](#) [Download](#)

ZUKEN Portal 243-211

[URL](#) [Download](#)

Asset Administration Shell

Asset Administration Shell 243-211

[URL](#) [Download](#)

Environmental Product Compliance

Compliance Search

Environmental Product Compliance 243-211

[URL](#) [Download](#)

4-conductor modular PCB connector; PUSH WIRE®; 0.8 mm Ø; Pin spacing 5.75 mm;
2-pole; for individual solder pins; for KNX; dark gray/red

Installation Notes

Installation

Subject to changes. Please also observe the further product documentation!

WAGO GmbH & Co. KG

Hansastr. 27

32423 Minden

Phone: +49571 887-0 | Fax: +49571 887-169

Email: info.de@wago.com | Web: www.wago.com

Do you have any questions about our products?

We are always happy to take your call at +49 (571) 887-44222.



Subject to changes. Please also observe the further product documentation!



The KNX bus system is the intelligent solution to simplify existing building installation control. Instead of many different conventional wiring styles, the KNX bus system offers a flexible general solution for every application in the field of switching, controlling, measuring, monitoring and signaling.

The decentralized KNX system consists of active and intelligent modules. The system can be customized using the different KNX components.

For example, pairs of sensors/actuators control:

- lighting
- window blinds
- heating/ventilation
- energy management systems
- information display/transmission

Command data is transmitted via twisted-pair bus cable, which is connected to the sensors and actuators by WAGO PUSH WIRE® connectors.

The sensors transmit the commands as "telegrams" to the actuators via the bus. Once the information is gathered, the commands are performed by the actuators. An address is assigned to each "telegram" so that only a defined transmitter is allowed to activate a specified receiver. The address assignment is done using a programming tool.

The bus system is divided into "lines" (segments). The bus lines can be laid out either in a line, star or tree topology. WAGO's PUSH WIRE® connectors connect the different branches to one another in the junction boxes.

New components can be easily added to the existing bus, permitting future expansion of the installation. When future reallocation of rooms, floors or buildings is required, the installation remains unchanged, so that only the sensors must be reassigned to the actuators.

Subject to changes. Please also observe the further product documentation!



Subject to changes. Please also observe the further product documentation!

WAGO GmbH & Co. KG
Hansastr. 27
32423 Minden
Phone: +49571 887-0 | Fax: +49571 887-169
Email: info.de@wago.com | Web: www.wago.com

Do you have any questions about our products?
We are always happy to take your call at +49 (571) 887-44222.