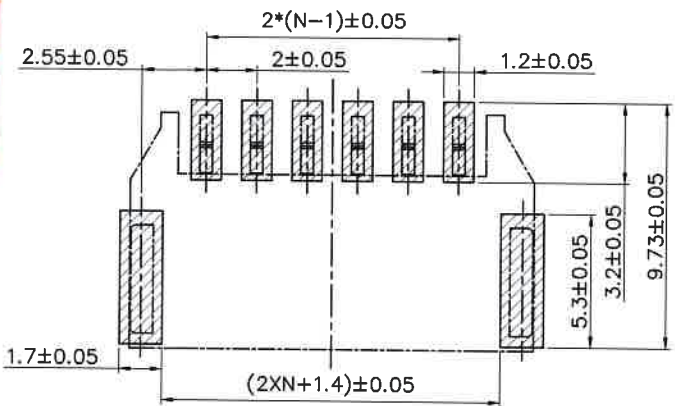
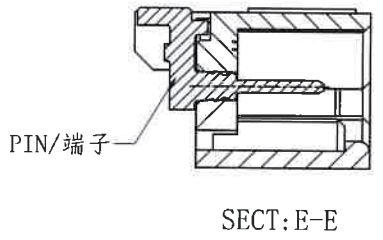
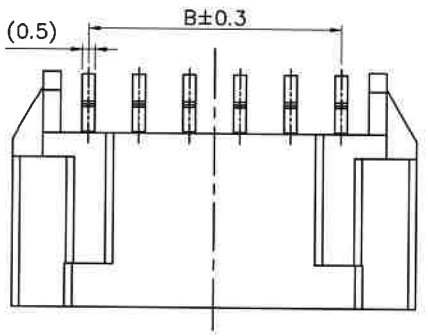
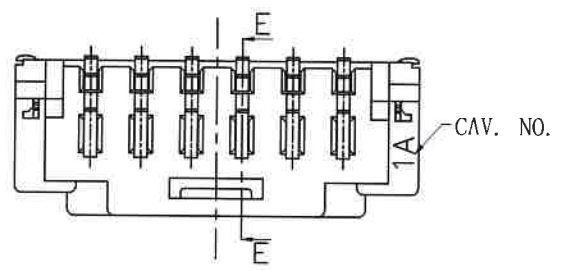
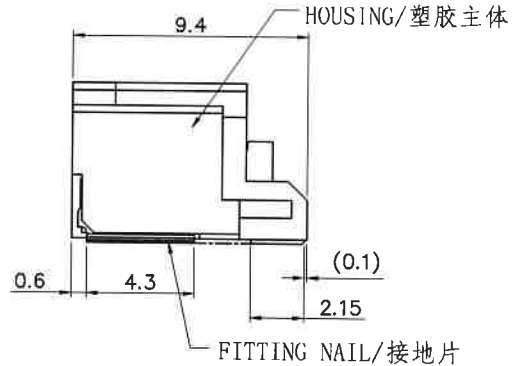
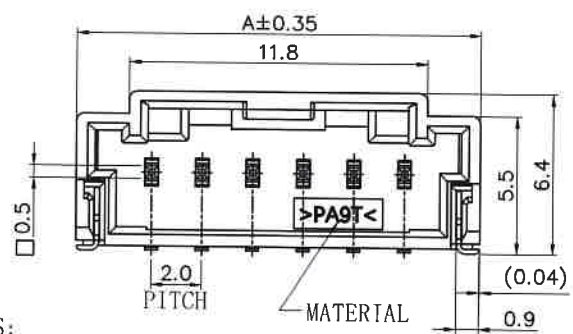


REV.	DESCRIPTION	DESIGN	APPROVAL	DATE
A0	NEW VERSION	Colinye	Jerry	

广东济德精密电子有限公司
 受控文件
 日期: 2021年10月18日



PCB LAYOUT



Part No.	Circuits	DIM(mm)	
		A	B
991-021-7006	02	8.0	2.00
991-031-7006	03	10.0	4.00
991-041-7006	04	12.0	6.00
991-051-7006	05	14.0	8.00
991-061-7006	06	16.0	10.00
991-071-7006	07	18.0	12.00
991-081-7006	08	20.0	14.00
991-091-7006	09	22.0	16.00
991-101-7006	10	24.0	18.00
991-111-7006	11	26.0	20.00
991-121-7006	12	28.0	22.00
991-131-7006	13	30.0	24.00
991-141-7006	14	32.0	26.00
991-151-7006	15	34.0	28.00

NOTES:

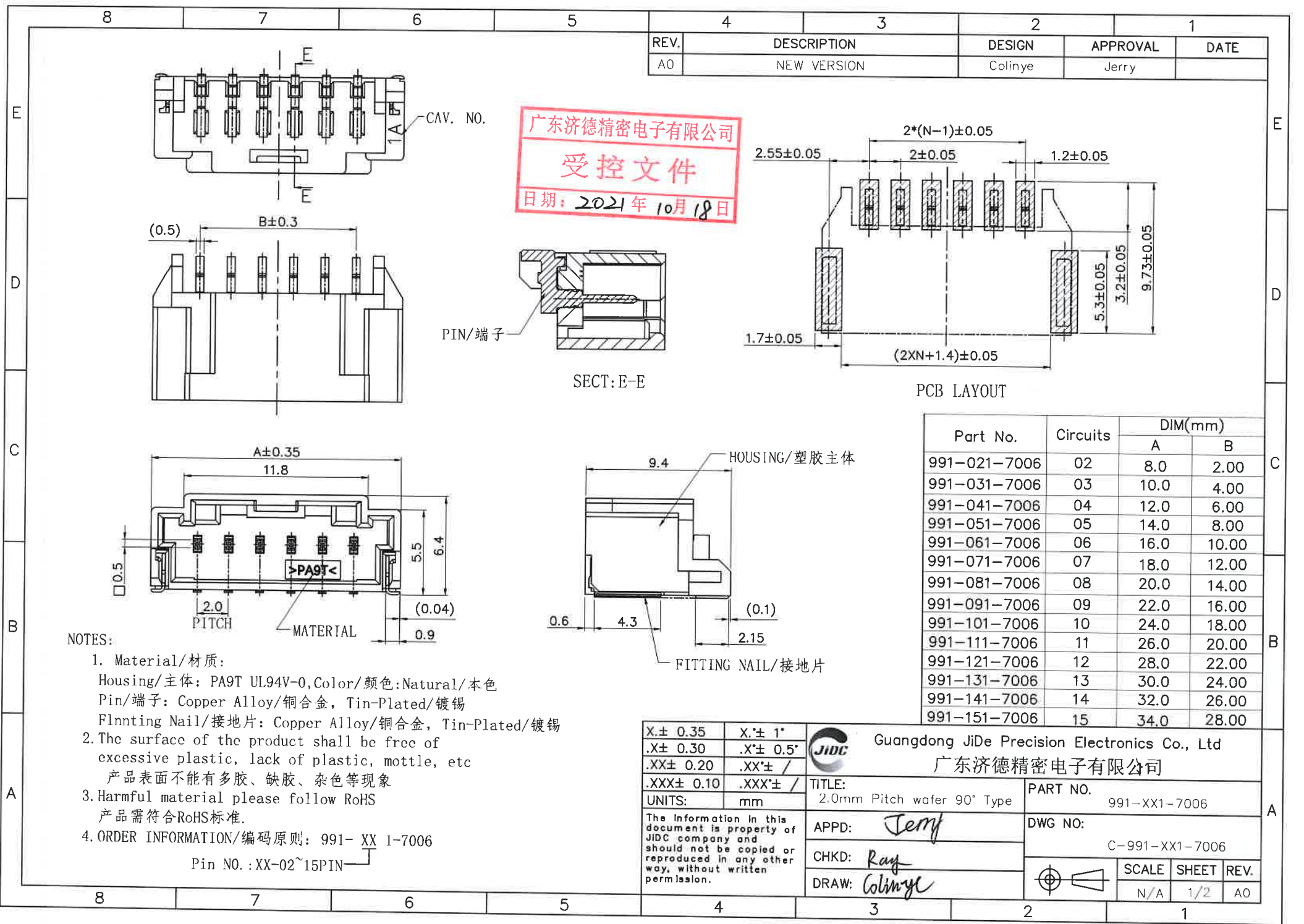
- Material/材质:
Housing/主体: PA9T UL94V-0, Color/颜色: Natural/本色
Pin/端子: Copper Alloy/铜合金, Tin-Plated/镀锡
Fitting Nail/接地片: Copper Alloy/铜合金, Tin-Plated/镀锡
- The surface of the product shall be free of excessive plastic, lack of plastic, mottle, etc
产品表面不能有多胶、缺胶、杂色等现象
- Harmful material please follow RoHS
产品需符合RoHS标准.
- ORDER INFORMATION/编码原则: 991- XX 1-7006
Pin NO.: XX-02~15PIN

X.± 0.35	X.*± 1°
.X± 0.30	.X*± 0.5°
.XX± 0.20	.XX*± /
.XXX± 0.10	.XXX*± /
UNITS:	mm

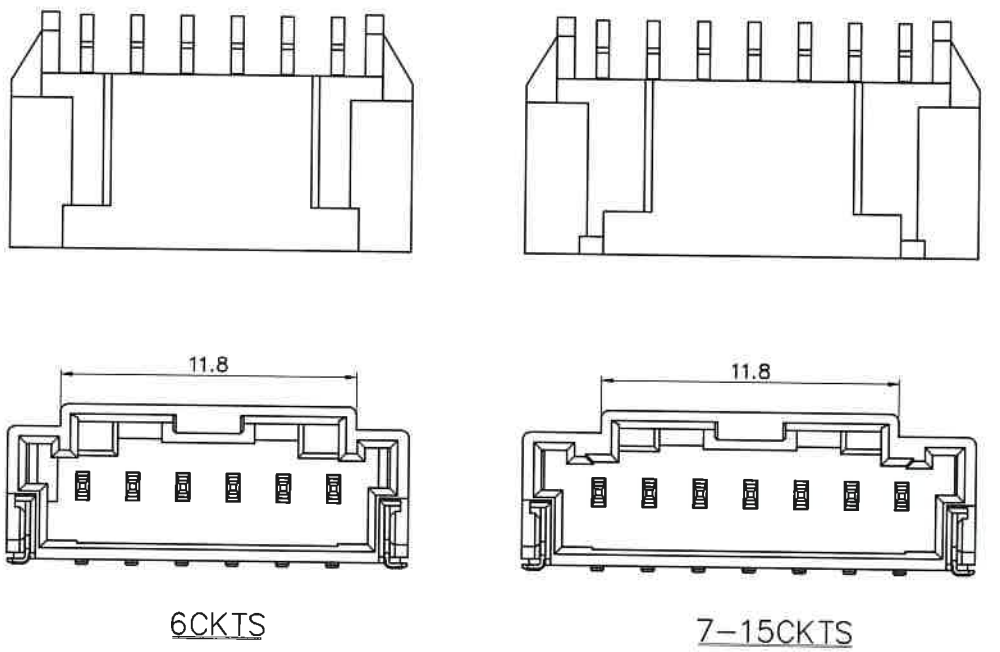
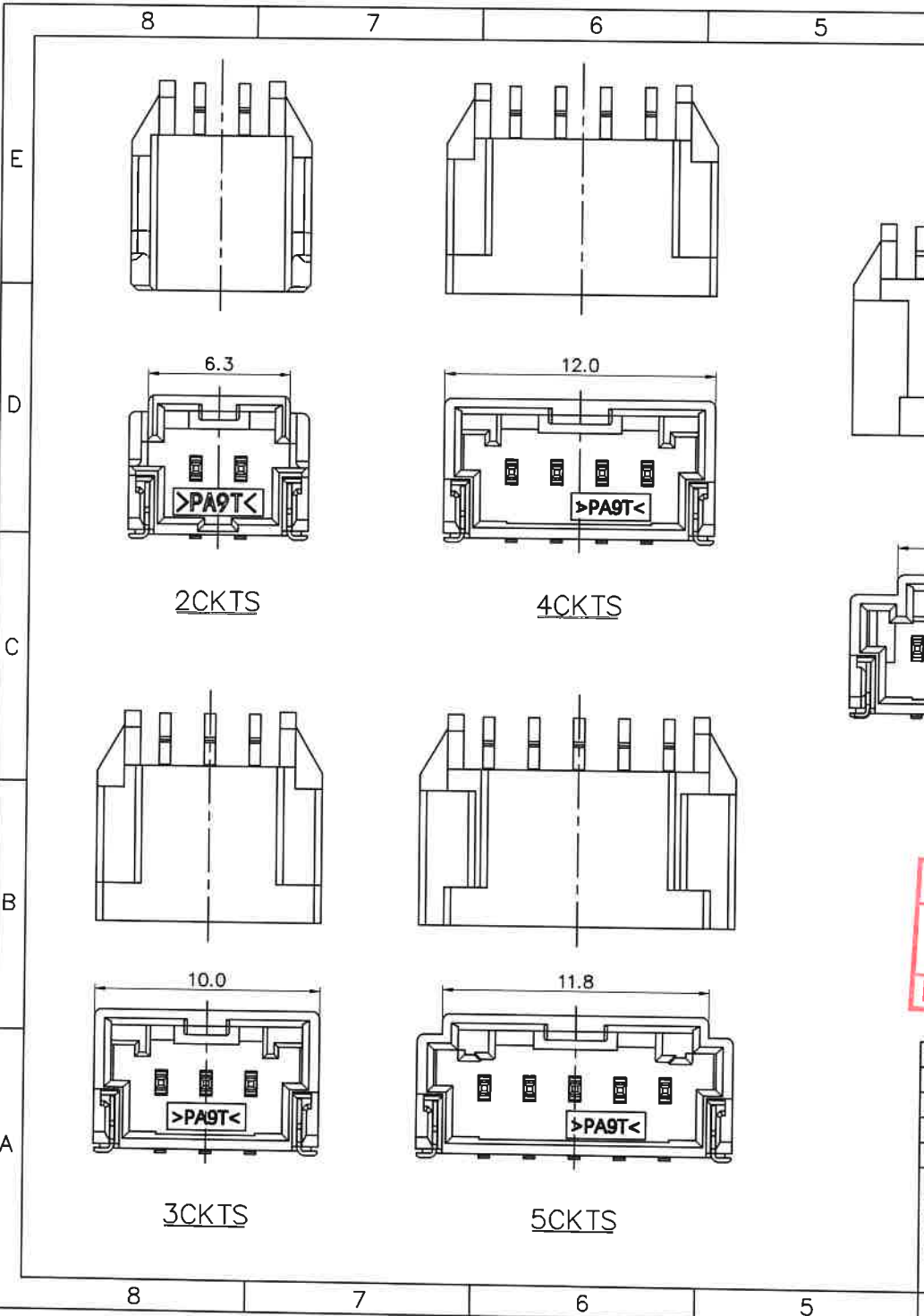
Guangdong JiDe Precision Electronics Co., Ltd
 广东济德精密电子有限公司

The Information in this document is property of JIDC company and should not be copied or reproduced in any other way, without written permission.

TITLE: 2.0mm Pitch wafer 90° Type	PART NO. 991-XX1-7006						
APPD: <i>Jerry</i>	DWG NO: C-991-XX1-7006						
CHKD: <i>Ray</i>	<table border="1"> <tr> <td>SCALE</td> <td>SHEET</td> <td>REV.</td> </tr> <tr> <td>N/A</td> <td>1/2</td> <td>A0</td> </tr> </table>	SCALE	SHEET	REV.	N/A	1/2	A0
SCALE		SHEET	REV.				
N/A	1/2	A0					
DRAW: <i>Colinye</i>							



REV.	DESCRIPTION	DESIGN	APPROVAL	DATE
A0	NEW VERSION	Colinye	Jerry	



广东济德精密电子有限公司
 受控文件
 日期: 2021年10月18日

X.± 0.35	X.*± 1°
.X± 0.30	.X*± 0.5°
.XX± 0.20	.XX*± /
.XXX± 0.10	.XXX*± /
UNITS:	mm

	Guangdong JiDe Precision Electronics Co., Ltd 广东济德精密电子有限公司		
	TITLE: 2.0mm Pitch wafer 90° Type	PART NO. 991-XX1-7006	
The information in this document is property of JIDC company and should not be copied or reproduced in any other way, without written permission.	APPD: <i>Jerry</i>	DWG NO: C-991-XX1-7006	
	CHKD: <i>Roy</i>		SCALE
	DRAW: <i>Colinye</i>		SHEET
		REV.	
		N/A	2/2
		A0	