

The information provided herein is from CONNELY Electronic Co., Ltd. and is confidential. Any disclosure to a party other than the recipient is prohibited. The intellectual properties and its rights contained herein, including but not limited to, trademarks, patents, copyrights, trade secrets, and technical know-how, are owned exclusively by CONNELY or its affiliates. Unauthorized use or reproduction of this document in any form or by any means, electronic, mechanical, photocopying, recording, or by any information storage and retrieval system, without the prior written permission of CONNELY is strictly prohibited. CONNELY may enforce its intellectual property rights at its own discretion, failures or delays to exercise such rights does not constitute a waiver of such rights.

REV.	DESCRIPTION	DRAWN	CHECKED	APPROVED
A	NEW RELEASE	LL 07/01/06'		LJC 07/01/06'
B	DRAWING UPDATE	JLZ 11/06/17'		LJC 11/06/17'
C	DRAWING UPDATE	JLZ 07/21/18'		

- NOTES:
- Specifications:
 - 1.1 Current rating:3A max.
 - 1.2 Contact resistance:20mΩ max.
 - 1.3 Insulation resistance:1000MΩ min at V=100V.
 - 1.4 Operating voltage:60V AC/DC.
 - 1.5 Application Insert Pin: Ø0.381-Ø0.635mm.
 - Product number code:

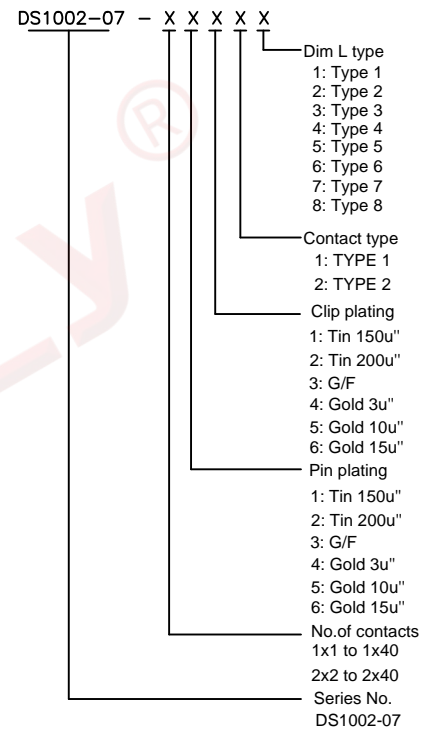
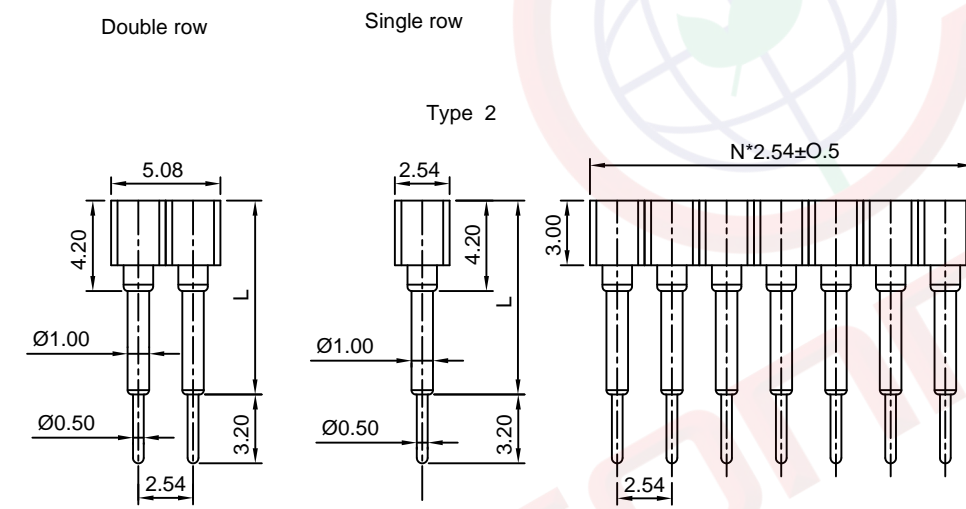
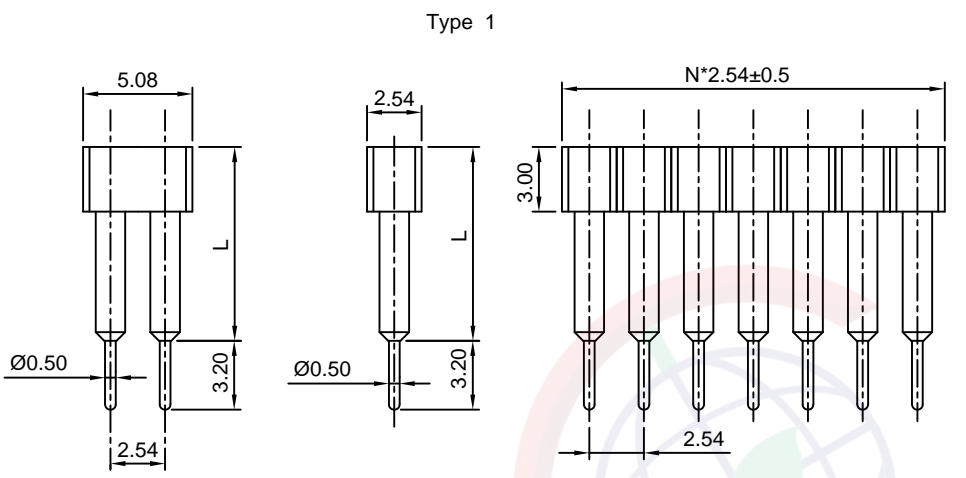


Table A

Type	Dim (L)
1	6.00
2	7.00
3	8.00
4	9.00
5	10.00
6	11.00
7	12.00
8	14.60



(Series Image-Reference Only)

GENERAL TOLERANCE		ANGLE TOLERANCE		PROJECTION		TITLE	SIP IC SOCKET PITCH 2.54mm	
X.	±0.60	X.	±5°	UNITS	mm	MATING PIN Ø0.5		
.X	±0.38	.X	±3°	SHEET SIZE	A4	SERIES	DS1002-07 SERIES	
.XX	±0.25	.XX	±2°					
DRAWING TYPE		CUSTOMER		晨翔电子有限公司 CONNELY CONNELY ELECTRONIC CO. LTD				
SCALE		1:1						
DRAWING NO.		C-DS1002-07-XXXXX-C						