

RQ73C1J4K64BTD ✓ ACTIVE

Holsworthy | Holsworthy RQ73

TE Internal #: 2176371-1

4.64K Ω , Thin Film, Precision Resistor, .1 %, 2 Termination, 0603, Taped & Reeled, .15 W, ± 10 ppm/ $^{\circ}\text{C}$, Solder, Height .018 in [.45 mm], Holsworthy RQ73

[View on TE.com >](#)



Passive Components > Resistors > Surface Mount Resistors



Resistor Type: **Precision Resistor**

Number of Terminations: **2**

Package Size Code: **0603**

Packaging Method: **Taped & Reeled**

Passive Component Tolerance: **.1 %**

Features

Product Type Features

| | |
|-------------------|--------------------|
| Resistor Type | Precision Resistor |
| Package Size Code | 0603 |
| Element Type | Thin Film |

Configuration Features

| | |
|---------------------|---|
| Number of Resistors | 1 |
|---------------------|---|

Electrical Characteristics

| | |
|-----------------------------|---------------------------|
| Operating Voltage | 75 V |
| Passive Component Tolerance | .1 % |
| Resistance Class | 1k Ω – 1M Ω |
| Resistance Value | 4.64K Ω |
| Power Rating | .15 W |

Termination Features

| | |
|---|--------|
| Number of Terminations | 2 |
| Surface Mount Resistor Termination Type | Solder |

Dimensions

| | |
|----------------|------------------|
| Product Height | .45 mm[.018 in] |
| Product Length | 1.55 mm[.061 in] |
| Product Width | .8 mm[.031 in] |

Usage Conditions

| | |
|-------------------------|----------------------------|
| Temperature Coefficient | ± 10 ppm/ $^{\circ}$ C |
|-------------------------|----------------------------|

Packaging Features

| | |
|------------------|----------------|
| Packaging Method | Taped & Reeled |
|------------------|----------------|

Product Compliance

[For compliance documentation, visit the product page on TE.com>](#)

| | |
|---|---|
| EU RoHS Directive 2011/65/EU | Compliant |
| EU ELV Directive 2000/53/EC | Compliant |
| China RoHS 2 Directive MIIT Order No 32, 2016 | No Restricted Materials Above Threshold |
| EU REACH Regulation (EC) No. 1907/2006 | Current ECHA Candidate List: JUNE 2023 (235) Candidate List Declared Against: JUNE 2023 (235) Does not contain REACH SVHC |
| Halogen Content | Low Halogen - Br, Cl, F, I < 900 ppm per homogenous material. Also BFR/CFR/PVC Free |
| Solder Process Capability | Reflow solder capable to 260 $^{\circ}$ C |

Product Compliance Disclaimer

This information is provided based on reasonable inquiry of our suppliers and represents our current actual knowledge based on the information they provided. This information is subject to change. The part numbers that TE has identified as EU RoHS compliant have a maximum concentration of 0.1% by weight in homogenous materials for lead, hexavalent chromium, mercury, PBB, PBDE, DBP, BBP, DEHP, DIBP, and 0.01% for cadmium, or qualify for an exemption to these limits as defined in the Annexes of Directive 2011/65/EU (RoHS2). Finished electrical and electronic equipment products will be CE marked as required by Directive 2011/65/EU. Components may not be CE marked. Additionally, the part numbers that TE has identified as EU ELV compliant have a maximum concentration of 0.1% by weight in homogenous materials for lead, hexavalent chromium, and mercury, and 0.01% for cadmium, or qualify for an exemption to these limits as defined in the Annexes of Directive 2000/53/EC (ELV). Regarding the REACH Regulation, the information TE provides on SVHC in articles for this part number is based on the latest European Chemicals Agency (ECHA) 'Guidance on requirements for substances in articles' posted at this URL: <https://echa.europa.eu/guidance-documents/guidance-on-reach>

Compatible Parts



TE Part # 2176372-6
RQ 0603 56K2 0.1% 10PPM 5K RL



TE Part # 2176371-8
RQ 0603 5K49 0.1% 10PPM 5K RL



TE Part # 3-2176382-0
RQ 0805 267K 0.1% 10PPM 5K RL



TE Part # 3-2176389-4
RQ 1206 237R 0.1% 10PPM 5K RL



TE Part # 4-2176391-2
RQ 1206 33K2 0.1% 10PPM 5K RL



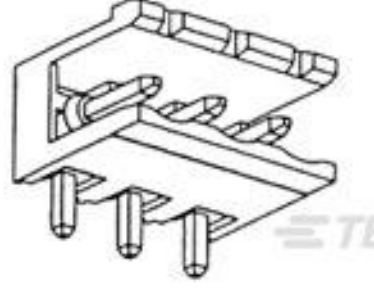
TE Part # 2176367-1
RQ 0603 4K64 0.1% 10PPM 1K RL

Also in the Series | **Holsworthy RQ73**

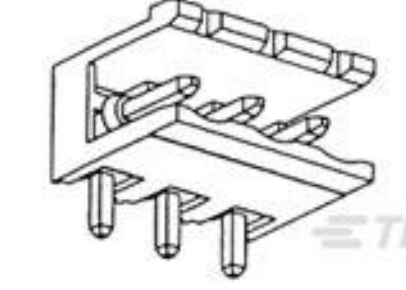


Surface Mount Resistors(3078)


Customers Also Bought



TE Part #282811-2
TERMI-BLOK HEADER ASSY90 2P.



TE Part #282811-3
TERMI-BLOK HEADER ASSY90 3P.



TE Part #1-282856-4
14P TERMI-BLOK PCB MOUNT



TE Part #2-1624113-6
3650 0805 7.5nH 5% 2K RL



TE Part #2-2176236-3
CPF A 0402 6K8 0.1% 25PPM 5K RL



TE Part #3-2176337-7
CRGCO 0402 10K 1%



TE Part #2-2176339-5
CRGCO 0603 1K0 1%



TE Part #5-2176370-5
RQ 0603 1K58 0.1% 10PPM 5K RL



Documents

Product Drawings

[RQ 0603 4K64 0.1% 10PPM 5K RL](#)

English

CAD Files

[3D PDF](#)

3D

Customer View Model

[ENG_CVM_CVM_2176371-1_B.2d_dxf.zip](#)

English

Customer View Model

[ENG_CVM_CVM_2176371-1_B.3d_igs.zip](#)

English

Customer View Model

[ENG_CVM_CVM_2176371-1_B.3d_stp.zip](#)

English

By downloading the CAD file I accept and agree to the [Terms and Conditions](#) of use.