

# RQ73C1J210RBTD ✓ ACTIVE

Holsworthy | Holsworthy RQ73

TE Internal #: 7-2176369-0

210  $\Omega$ , Thin Film, Precision Resistor, .1 %, 2 Termination, 0603, Taped & Reeled, .15 W,  $\pm 10$  ppm/ $^{\circ}\text{C}$ , Solder, Height .018 in [.45 mm], Holsworthy RQ73

[View on TE.com >](#)



Passive Components > Resistors > Surface Mount Resistors



Resistor Type: **Precision Resistor**

Number of Terminations: **2**

Package Size Code: **0603**

Packaging Method: **Taped & Reeled**

Passive Component Tolerance: **.1 %**

## Features

### Product Type Features

Resistor Type	Precision Resistor
Package Size Code	0603
Element Type	Thin Film

### Configuration Features

Number of Resistors	1
---------------------	---

### Electrical Characteristics

Operating Voltage	75 V
Passive Component Tolerance	.1 %
Resistance Class	Up to 1k $\Omega$
Resistance Value	210 $\Omega$
Power Rating	.15 W

### Termination Features

Number of Terminations	2
Surface Mount Resistor Termination Type	Solder

### Dimensions

Product Height	.45 mm[.018 in]
Product Length	1.55 mm[.061 in]
Product Width	.8 mm[.031 in]

### Usage Conditions

Temperature Coefficient	$\pm 10$ ppm/ $^{\circ}$ C
-------------------------	----------------------------

### Packaging Features

Packaging Method	Taped & Reeled
------------------	----------------

### Product Compliance

[For compliance documentation, visit the product page on TE.com>](#)

EU RoHS Directive 2011/65/EU	Compliant
EU ELV Directive 2000/53/EC	Compliant
China RoHS 2 Directive MIIT Order No 32, 2016	No Restricted Materials Above Threshold
EU REACH Regulation (EC) No. 1907/2006	Current ECHA Candidate List: JUNE 2023 (235) Candidate List Declared Against: JUNE 2023 (235) Does not contain REACH SVHC
Halogen Content	Low Halogen - Br, Cl, F, I < 900 ppm per homogenous material. Also BFR/CFR/PVC Free
Solder Process Capability	Reflow solder capable to 260 $^{\circ}$ C

#### Product Compliance Disclaimer

This information is provided based on reasonable inquiry of our suppliers and represents our current actual knowledge based on the information they provided. This information is subject to change. The part numbers that TE has identified as EU RoHS compliant have a maximum concentration of 0.1% by weight in homogenous materials for lead, hexavalent chromium, mercury, PBB, PBDE, DBP, BBP, DEHP, DIBP, and 0.01% for cadmium, or qualify for an exemption to these limits as defined in the Annexes of Directive 2011/65/EU (RoHS2). Finished electrical and electronic equipment products will be CE marked as required by Directive 2011/65/EU. Components may not be CE marked. Additionally, the part numbers that TE has identified as EU ELV compliant have a maximum concentration of 0.1% by weight in homogenous materials for lead, hexavalent chromium, and mercury, and 0.01% for cadmium, or qualify for an exemption to these limits as defined in the Annexes of Directive 2000/53/EC (ELV). Regarding the REACH Regulation, the information TE provides on SVHC in articles for this part number is based on the latest European Chemicals Agency (ECHA) 'Guidance on requirements for substances in articles' posted at this URL: <https://echa.europa.eu/guidance-documents/guidance-on-reach>

### Compatible Parts




TE Part # 2176372-6  
RQ 0603 56K2 0.1% 10PPM 5K RL



TE Part # 2176371-8  
RQ 0603 5K49 0.1% 10PPM 5K RL



TE Part # 3-2176382-0  
RQ 0805 267K 0.1% 10PPM 5K RL



TE Part # 3-2176389-4  
RQ 1206 237R 0.1% 10PPM 5K RL



TE Part # 4-2176391-2  
RQ 1206 33K2 0.1% 10PPM 5K RL



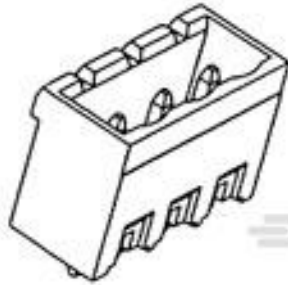
TE Part # 7-2176365-0  
RQ 0603 210R 0.1% 10PPM 1K RL

### Also in the Series | Holsworthy RQ73



Surface Mount Resistors(3078)

### Customers Also Bought



TE Part #796980-4  
4 POS TERMI-BLOK VERT HDR 7.62



TE Part #1-1879276-6  
RP 2A 6K34 0.1% 15PPM CUT LENGTH



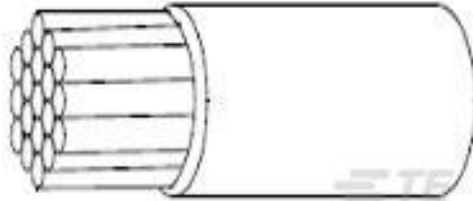
TE Part #1-1676970-4  
RN 0603 165R 0.1% 10PPM 1K RL



TE Part #7-1879216-0  
CPF 0402 226K 0.1% 25PPM 5K RL



TE Part #CT85153001  
44A0111-22-9CK1001



TE Part #CQ04133001  
55A0111-22-9CK0300

TE Part #A1004BR22P1  
NTC THERMISTOR ASSEMBLY



## Documents

### Product Drawings

[RQ 0603 210R 0.1% 10PPM 5K RL](#)

English

---

### CAD Files

[3D PDF](#)

3D

Customer View Model

[ENG\\_CVM\\_CVM\\_7-2176369-0\\_B.2d\\_dxf.zip](#)

English

Customer View Model

[ENG\\_CVM\\_CVM\\_7-2176369-0\\_B.3d\\_igs.zip](#)

English

Customer View Model

[ENG\\_CVM\\_CVM\\_7-2176369-0\\_B.3d\\_stp.zip](#)

English

By downloading the CAD file I accept and agree to the [Terms and Conditions](#) of use.