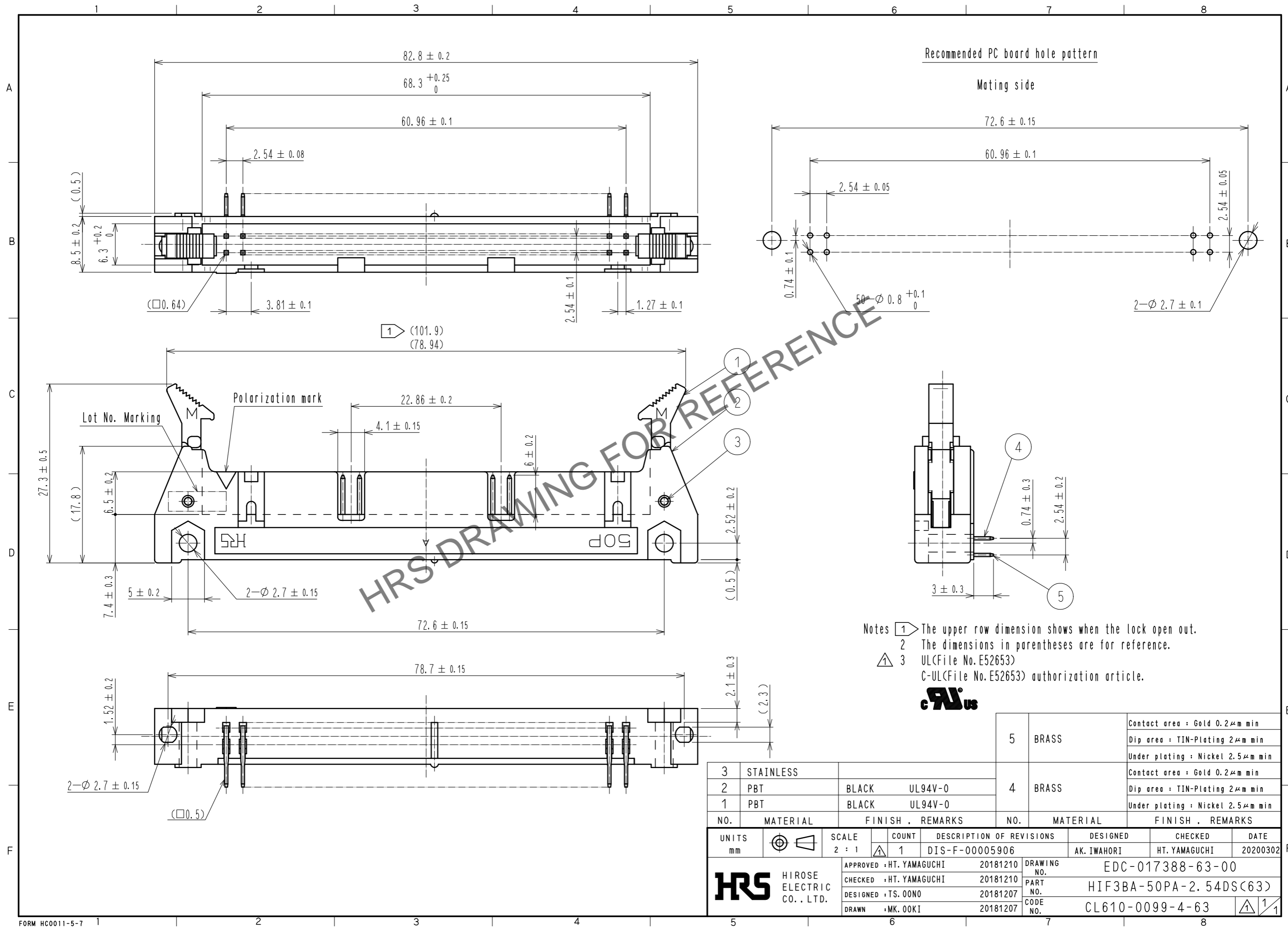


Mar.1.2024 Copyright 2024 HIROSE ELECTRIC CO., LTD. All Rights Reserved.  
 In case of consideration for using Automotive equipment / device which demand high reliability, kindly contact our sales window correspondents.



HRS DRAWING FOR REFERENCE

- Notes
- ① The upper row dimension shows when the lock open out.
  - ② The dimensions in parentheses are for reference.
  - ⚠ ③ UL(File No. E52653)  
C-UL(File No. E52653) authorization article.



NO.	MATERIAL	FINISH	REMARKS	NO.	MATERIAL	FINISH	REMARKS
3	STAINLESS			5	BRASS		Contact area : Gold 0.2μm min Dip area : TIN-Plating 2μm min Under plating : Nickel 2.5μm min
2	PBT	BLACK	UL94V-0	4	BRASS		Contact area : Gold 0.2μm min Dip area : TIN-Plating 2μm min Under plating : Nickel 2.5μm min
1	PBT	BLACK	UL94V-0				

UNITS	SCALE	COUNT	DESCRIPTION OF REVISIONS	DESIGNED	CHECKED	DATE
mm	2 : 1	1	DIS-F-00005906	AK. IWAHORI	HT. YAMAGUCHI	20200302

APPROVED	CHECKED	DESIGNED	DRAWN	DRAWING NO.	PART NO.	CODE NO.
HT. YAMAGUCHI 20181210	HT. YAMAGUCHI 20181210	TS. OONO 20181207	MK. OKI 20181207	EDC-017388-63-00	HIF3BA-50PA-2.54DS(63)	CL610-0099-4-63