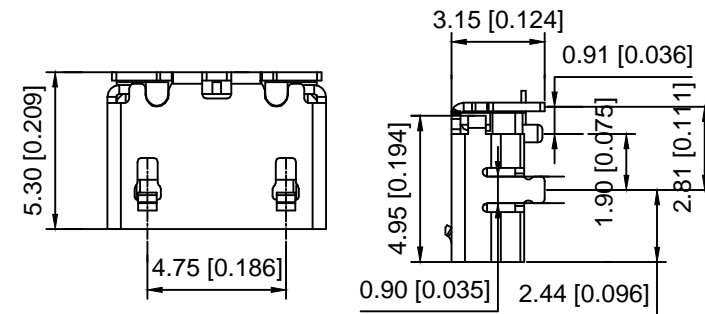
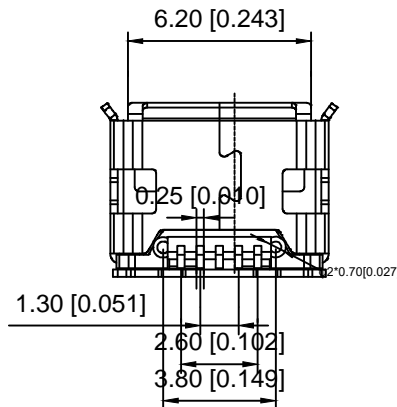
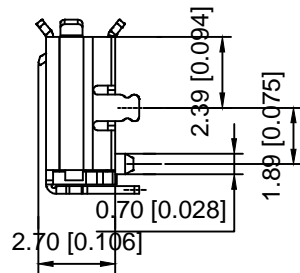
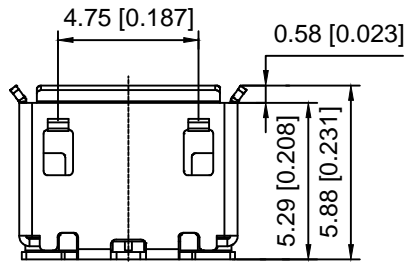


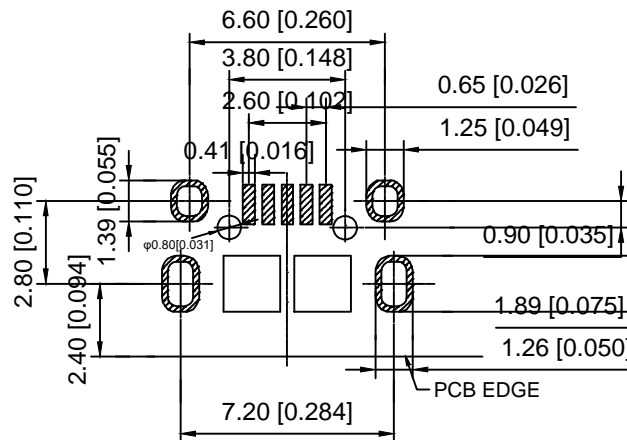
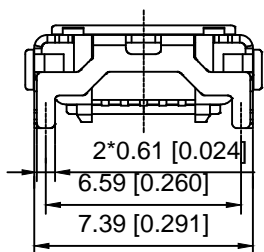
Scrolls (S)



Flat (F)



Material
 Housing Material: LCP, UL94V-0, black
 Contact Terminal: Copper Alloy
 Metallic Shell: Brass
 Electrical
 Voltage Rating: 30 V AC
 Current Rating: Signal (Pins 2,3,4): 1.0A, Power (Pins 1,5): 1.8A
 Contact Resistance: 30mΩ Max
 Insulation resistance: 1000MΩ Min
 Dielectric withstanding voltage: 250V AC/Minute
 Mechanical
 Durability: 3,000 cycles
 Mating Force: 35N (3.57Kgf) Max
 Unmating Force: 8N (0.82Kgf) Min.



P.C.B.Land Pattern

U254-05XX-4BHJ233-XS

1:AU 1U"
 6:AU 30U"
 T:TIN
 N:NICKEL

S:Sus
 S:Scrolls F:Flat

DSND		DATE	SCALE: N/A	MODEL TYPE:
DWN		DATE	VIEW:	MICRO USB
CHKD		DATE	UNIT: mm/in	PART NO.:
APPD		DATE	SIZE: A4	DWG NO.:
				U254-05XX-4BHJ233-XS
		WEIGHT	SHEET	REVISION
		1.0g	1/1	A0

XKB INDUSTRIAL PRECISION CO.,LIMITED

					ANGLAR	±5°
ΔX					L ≤ 4	±0.2
ΔX					4 < L ≤ 16	±0.3
ΔX					16 < L ≤ 63	±0.4
MARK					L > 63	±0.5
REVISIONS						UNSPECIFIED TOLERANCES