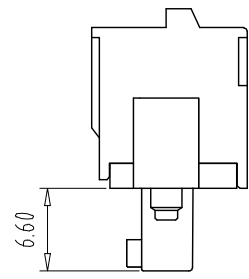
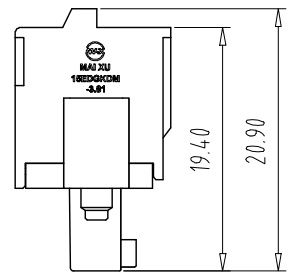
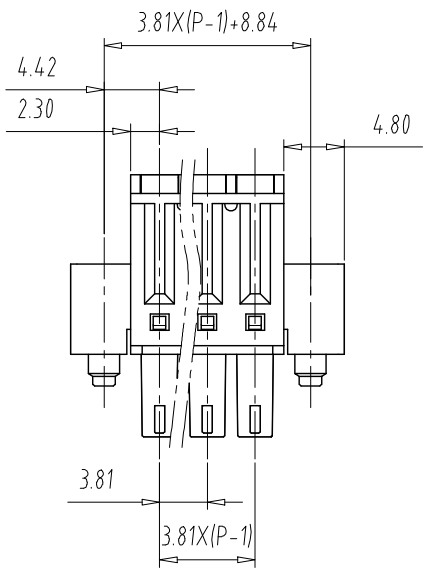
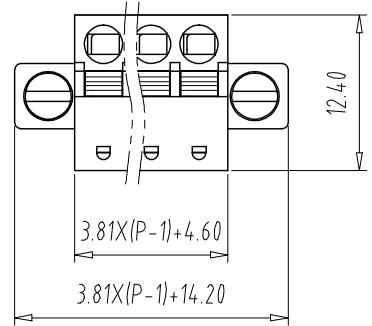


注: 未经允许禁止传输、复制、编辑该文档, 以及利用其内容进行交流

REV	E.C.N NO.	CONTENT	CHK	DATE



NOTES1:

UL Standard

1.	Use group	B	C	D
	Rated Current	8A	/	8A
	Rated Voltage	300V	/	300V

2.Wire range: 28~16AWG

IEC Standard

1.	Pollution Degree	3	2	2
	Overvoltage Category	III	III	II
	Rate Impulse Voltage(KV)	2.5KV	2.5KV	2.5KV
	Rate Voltage(V)	160V	160V	320V
	Rate Current(A)	8A	8A	8A

2.wire range: 0.2~1.5mm²

NOTES2:

- Housing: PA66 (UL94V-0)
- Cover: PA66 (UL94V-0)
- Button: POM
- Conductor: Copper alloy (Ni Plated)
- Spring: Stainless Steel
- Screw: Steel (M2.5,Zn Plated)

NOTES3:

- Pitch: 3.81mm Poles: 02-24P
- Stripping length: 7-8mm
- Operating temperature: -40℃~+105℃
- RoHS Compliance

How to order

MX15EDGKDM - 3.81 - XXP - XXXX - XX - X

产品型号 间距 极数 颜色 01:常规颜色 A-Z其他定制

灰色:GY 橙色:OE 02-99: Cu:铜
 蓝色:BU 红色:RD 定制颜色 Fe:铁
 黑色:BK 透明色:TT
 绿色:GN 黄色:YW
 透明色:TT 白色:WE

Pitch Range In mm		Nominal Dimension Range In mm						—	∩	□
TO	Over 6	Over 10	TO	Over 30	Over 60	Over 100	Over 150	0.1/10	∠	
6	TO 10	TO 24	TO 30	TO 60	TO 100	TO 150	TO 150			
±0.15	±0.20	±0.30	±0.30	±0.50	±0.70	±1.00	±1.30	±2°		

ITEM	NAME OF PART	NO. OF PART	Q"TY	MATERIAL	NOTE
DWG.	CKK	DATE	23.06.20	UNITS	MM
CHK.		DATE		SCALE	1:1
APP.		DATE			
				NAME	MX15EDGKDM-3.81-XXP
CIXI MAIXU ELECTRONICS CO.,LTD. 慈溪市迈旭电子有限公司				DWGNO.	