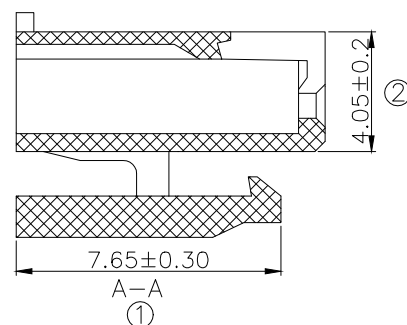
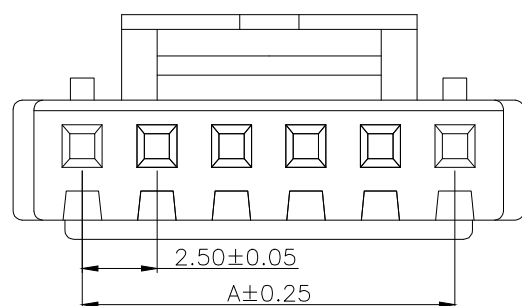
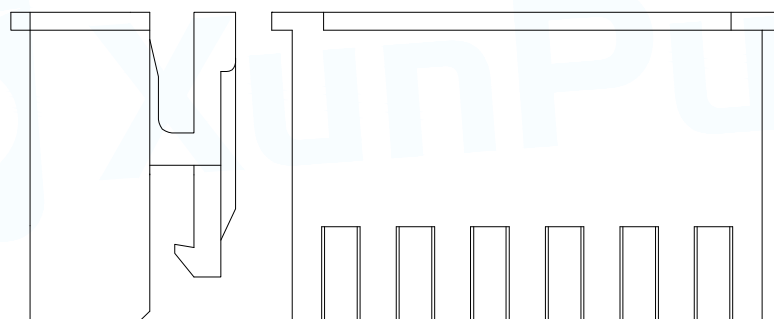
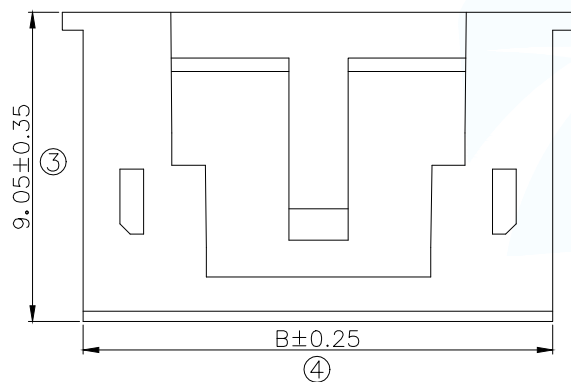
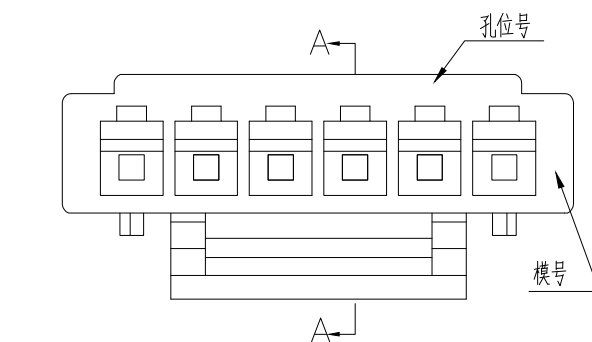
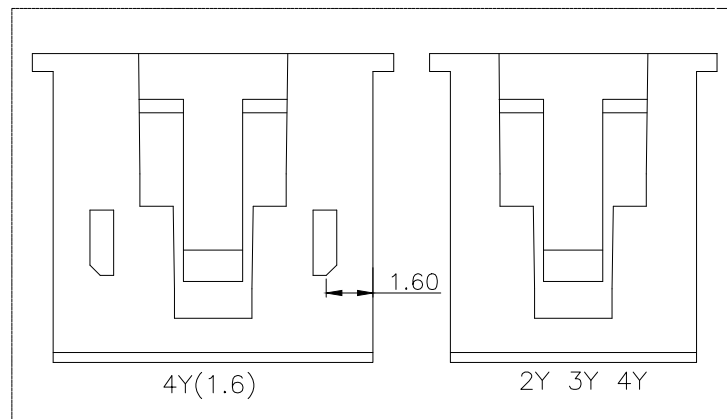


技术要求Specification:

1. 材质Material: PA66 UL94V-0;
2. 额定电流 Current rating:3.0A AC,DC
3. 额定电压 Voltage rating:250V AC,DC
4. 温度范围 Temperature range:-25℃to+85℃
5. 接触电阻 Contact resistance:≤20mΩ
6. 绝缘电阻 Insulation resistance:≥1000MΩ
7. 耐压Withstand voltage:1000V AC/minute
8. 塑件表面平整光洁, 无明显的毛刺、气泡、变形、浇口拉伤、缺料等不良现象。

Plastic surface smooth and clean, no obvious glitches, bubbles, distortion, gate strain, lack of material and other undesirable phenomena.

Part No	Pin	A	B
WAFER-HA2.54-2PJK	2	2.50	5.80
WAFER-HA2.54-3PJK	3	5.00	8.30
WAFER-HA2.54-4PJK	4	7.50	10.80
WAFER-HA2.54-5PJK	5	10.00	13.30
WAFER-HA2.54-6PJK	6	12.50	15.80
WAFER-HA2.54-7PJK	7	15.00	18.30
WAFER-HA2.54-8PJK	8	17.50	20.80
WAFER-HA2.54-9PJK	9	20.00	23.30
WAFER-HA2.54-10PJK	10	22.50	25.80
WAFER-HA2.54-11PJK	11	25.00	28.30
WAFER-HA2.54-12PJK	12	27.50	30.80
WAFER-HA2.54-13PJK	13	30.00	33.30
WAFER-HA2.54-14PJK	14	32.50	35.80
WAFER-HA2.54-15PJK	15	35.00	38.30
WAFER-HA2.54-16PJK	16	37.50	40.80
WAFER-HA2.54-17PJK	17	40.00	43.30



MANUFACTURE DWG			 东莞市讯普电子科技有限公司 DongGuan XunPu Electronics Co.,Ltd	
UNLESS OTHERWISE SPECIFIED TOLERANCES			TITLE: HA2.5MM HOUSING	
DECIMALS:	ANGLES:		PAR	WAFER-HA2.54-NPJK
.X±0.30	X.*±1°		DWN	
.XX±0.20			CHKD	
.XXX±0.10			APVD	
		CUSTOMER COPY	SCALE:1:1	UNIT:MM
			SIZE:A4	SHEET:1F1
				REV:A