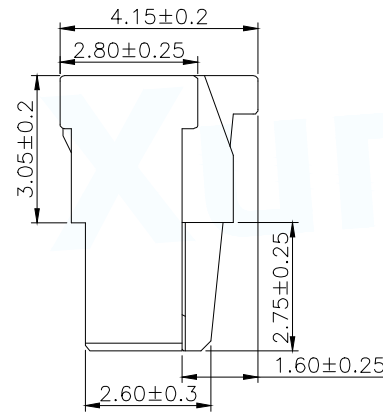
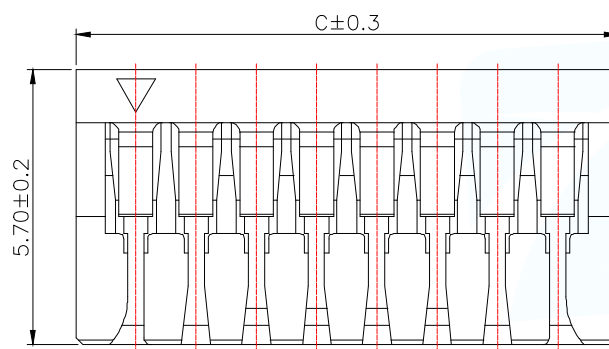


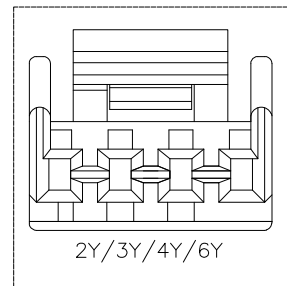
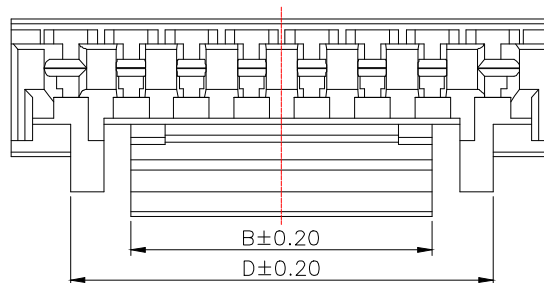
技术要求 Specification:

- 1、材质 Material: PA66 UL94V-0;
- 2、额定电流 Current rating: 1.0A AC, DC
- 3、额定电压 Voltage rating: 50V AC, DC
- 4、温度范围 Temperature range: -25°C to +85°C
- 5、接触电阻 Contact resistance: < 30mΩ
- 6、绝缘电阻 Insulation resistance: > 100MΩ
- 7、耐压 Withstand voltage: 500V AC/minute
- 8、塑件表面平整光洁, 无明显的毛刺、气泡、变形、浇口拉伤、缺料等不良现象。

Plastic surface smooth and clean, no obvious burrs, bubbles, distortion, gate strain, lack of material and other undesirable phenomena.



Part No	Pin	A	B	C	D
WAFER-GH1.25-2PJK	2	1.25	2.00	3.75	
WAFER-GH1.25-3PJK	3	2.50	3.20	5.00	
WAFER-GH1.25-4PJK	4	3.75	4.30	6.25	
WAFER-GH1.25-5PJK	5	5.00	4.30	7.50	6.25
WAFER-GH1.25-6PJK	6	6.25	6.25	8.75	8.75
WAFER-GH1.25-7PJK	7	7.50	6.25	10.00	8.75
WAFER-GH1.25-8PJK	8	8.75	6.25	11.25	8.75
WAFER-GH1.25-9PJK	9	10.00	6.25	12.50	8.75
WAFER-GH1.25-10PJK	10	11.25	8.30	13.75	10.70
WAFER-GH1.25-11PJK	11	12.50	8.30	15.00	10.70
WAFER-GH1.25-12PJK	12	13.75	8.30	16.25	10.70
WAFER-GH1.25-13PJK	13	15.00	8.30	17.50	10.70
WAFER-GH1.25-14PJK	14	16.25	8.30	18.75	10.70
WAFER-GH1.25-15PJK	15	17.50	8.30	20.00	10.70
WAFER-GH1.25-16PJK	16	18.75	8.30	21.25	



MANUFACTURE DWG		东莞市讯普电子科技有限公司 DongGuan XunPu Electronics Co., Ltd	
UNLESS OTHERWISE SPECIFIED TOLERANCES			TITLE: GH1.25MM HOUSING
			PAR WAFER-GH1.25-NPJK
DECIMALS:	ANGLES:		DWN
.X±0.30	X.*±1°		CHKD
.XX±0.20		APVD	SCALE 1:1 UNIT:MM
.XXX±0.10		CUSTOMER COPY	SIZE:A4 SHEET:1F1
			REV:A