



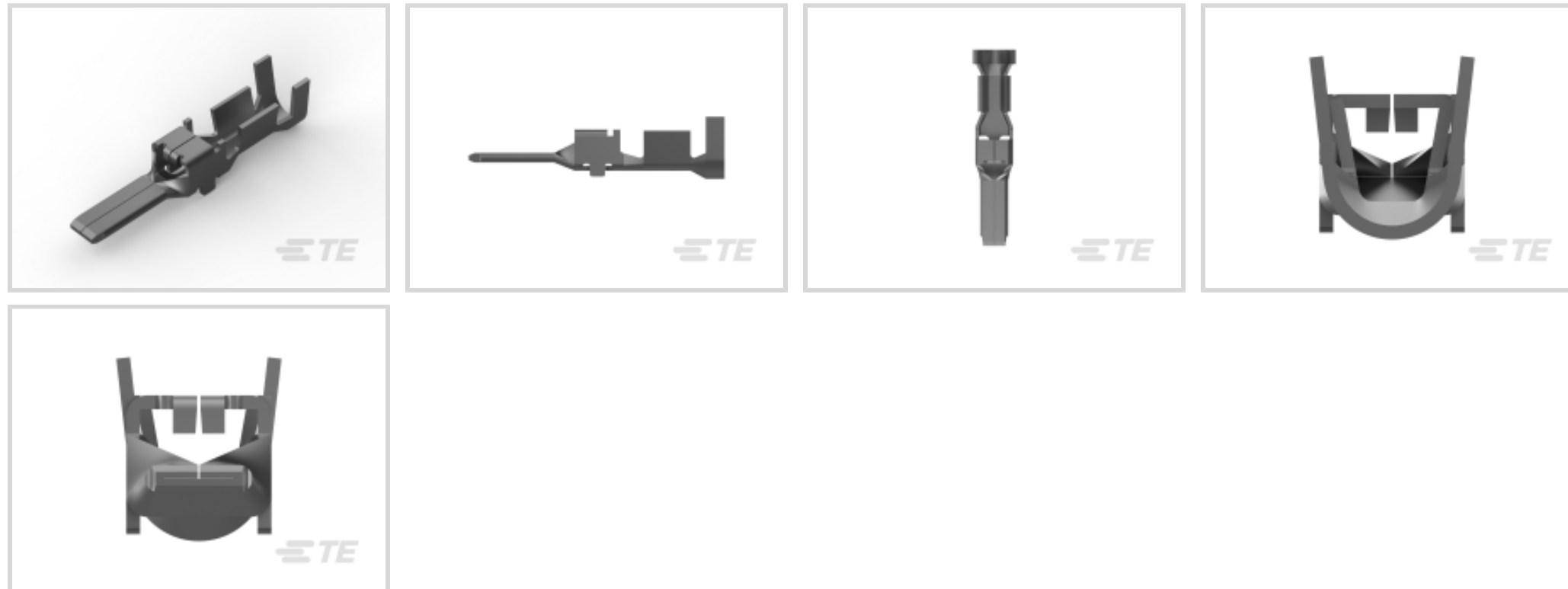
GRACE INERTIA 6.2

TE Internal #: 1746973-1

Tab Contact, Tin, 600 VAC, 600 VDC, Locking Lance Contact Retention, 16 – 14 AWG Wire Size, 1.31 – 2.18 mm² Wire Size, Crimp, GRACE INERTIA 6.2

[View on TE.com >](#)

Connectors > Contacts > Connector Contacts > GRACE INERTIA Tab



Contact Type: **Tab**

Contact Mating Area Plating Material: **Tin**

Wire Contact Termination Area Plating Material: **Pre-Tin**

Operating Voltage: **600 VDC**

[All GRACE INERTIA Tab \(4\)](#)

Features

Product Type Features

Discrete Wire Type	Stranded
--------------------	----------

Electrical Characteristics

Operating Voltage	600 VDC
-------------------	---------

Contact Features

Mating Tab Width	3.1 mm[.122 in]
Mating Tab Thickness	.8 mm[.3 in]
Wire Contact Termination Area Plating Thickness	.8 – 1.4 μm[31.49 – 55.11 μin]
Wire Contact Termination Area Plating Material Finish	Bright
Contact Orientation	Straight
Contact Type	Tab
Contact Mating Area Plating Material	Tin
Wire Contact Termination Area Plating Material	Pre-Tin
Contact Retention Within Housing	With



Contact Base Material	Copper Alloy
-----------------------	--------------

Contact Current Rating (Max)	15 A
------------------------------	------

Termination Features

Termination Method to Wire & Cable	Crimp
------------------------------------	-------

Product Terminates To	Wire & Cable
-----------------------	--------------

Mechanical Attachment

Wire Insulation Support	Without
-------------------------	---------

Contact Retention Type Within Housing	Locking Lance
---------------------------------------	---------------

Dimensions

Compatible Insulation Diameter Range	2 – 3.75 mm [.079 – .148 in]
--------------------------------------	------------------------------

Wire Size	1.31 – 2.18 mm ²
-----------	-----------------------------

Usage Conditions

Operating Temperature Range	-40 – 105 °C [-40 – 221 °F]
-----------------------------	-----------------------------

Operation/Application

Circuit Application	Power
---------------------	-------

Packaging Features

Packaging Quantity	2000
--------------------	------

Packaging Method	Reel
------------------	------

Product Compliance

[For compliance documentation, visit the product page on TE.com>](#)

EU RoHS Directive 2011/65/EU	Compliant
------------------------------	-----------

EU ELV Directive 2000/53/EC	Compliant
-----------------------------	-----------

China RoHS 2 Directive MIIT Order No 32, 2016	No Restricted Materials Above Threshold
---	---

EU REACH Regulation (EC) No. 1907/2006	Current ECHA Candidate List: JUNE 2023 (235) Candidate List Declared Against: JUNE 2023 (235) Does not contain REACH SVHC
--	---

Halogen Content	Low Halogen - Br, Cl, F, I < 900 ppm per homogenous material. Also BFR/CFR/PVC Free
-----------------	---

Solder Process Capability	Not applicable for solder process capability
---------------------------	--

This information is provided based on reasonable inquiry of our suppliers and represents our current actual knowledge based on the information they provided. This information is subject to change. The part numbers that TE has identified as EU RoHS compliant have a maximum concentration of 0.1% by weight in homogenous materials for lead, hexavalent chromium, mercury, PBB, PBDE, DBP, BBP, DEHP, DIBP, and 0.01% for cadmium, or qualify for an exemption to these limits as defined in the Annexes of Directive 2011/65/EU (RoHS2). Finished electrical and electronic equipment products will be CE marked as required by Directive 2011/65/EU. Components may not be CE marked. Additionally, the part numbers that TE has identified as EU ELV compliant have a maximum concentration of 0.1% by weight in homogenous materials for lead, hexavalent chromium, and mercury, and 0.01% for cadmium, or qualify for an exemption to these limits as defined in the Annexes of Directive 2000/53/EC (ELV). Regarding the REACH Regulation, the information TE provides on SVHC in articles for this part number is based on the latest European Chemicals Agency (ECHA) 'Guidance on requirements for substances in articles' posted at this URL: <https://echa.europa.eu/guidance-documents/guidance-on-reach>

Compatible Parts



Also in the Series | **GRACE INERTIA 6.2**



Connector Contacts(4)



Connector Hardware(1)

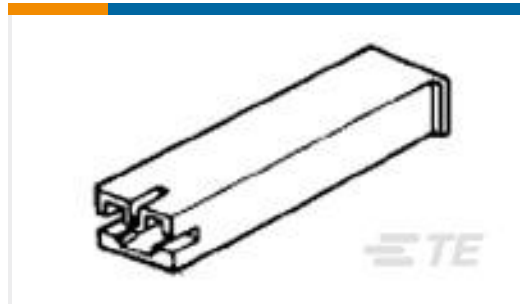


Rectangular Power Connectors(13)

Customers Also Bought



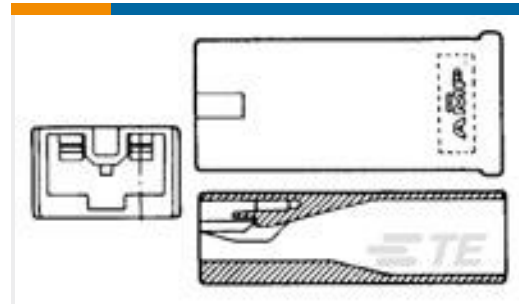
TE Part #176282-4
AMP UNIVERSAL POWER CAP 2P



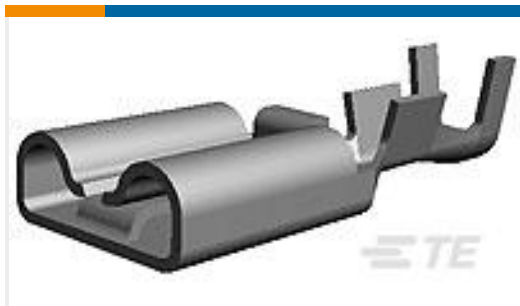
TE Part #173974-1
187 HSG. PL MKII REC. NAT



TE Part #175019-1
187 PL EX FLAG REC. 22-16AWG PTBR



TE Part #179970-1
250 HSG. PL EX REC.



TE Part #175020-1
250 PL EX REC. 22-18AWG PTBR



TE Part #2232905-1
EP 2.5 LIF RCPT CONTACT, 26-22
AWG



TE Part #2-2323743-6
HOUSING, PLUG, GWT, 26P, DUAL
ROW, EP2.5



TE Part #179974-6
250 PL EX REC. 18-14AWG PTBR



TE Part #2-1969541-6
RETAINER, TPA, DUAL ROW, EP2.5

Documents

Product Drawings

[GRACE INERTIA CONNECTOR 6.2MM PITCH TAB](#)

Japanese

CAD Files

Customer View Model

[ENG_CVM_CVM_1746973-1_C.2d_dxf.zip](#)

English

[3D PDF](#)



3D

Customer View Model

[ENG_CVM_CVM_1746973-1_C.3d_igs.zip](#)

English

Customer View Model

[ENG_CVM_CVM_1746973-1_C.3d_stp.zip](#)

English

By downloading the CAD file I accept and agree to the [Terms and Conditions](#) of use.

Datasheets & Catalog Pages

[1-1773883-5 GRACE INERTIA connector quick reference guide](#)

English

Product Specifications

[Application Specification](#)

English

Instruction Sheets

[Extraction Tool For Grace Inertia Connector](#)

Japanese

[Instruction Sheet \(non U.S.\)](#)

Japanese