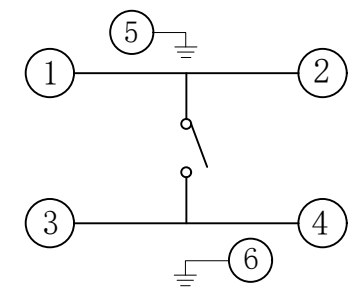
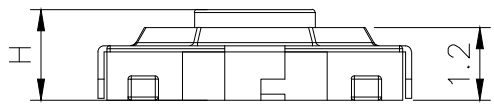
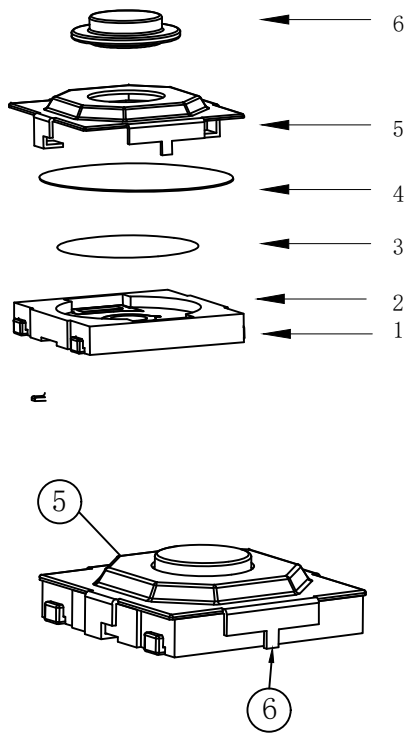


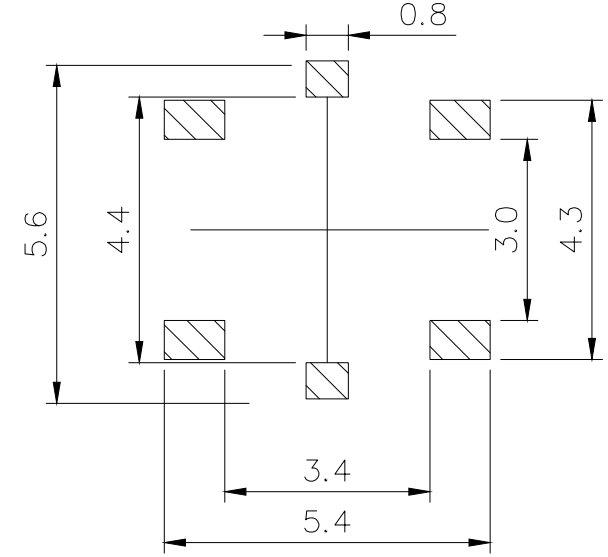
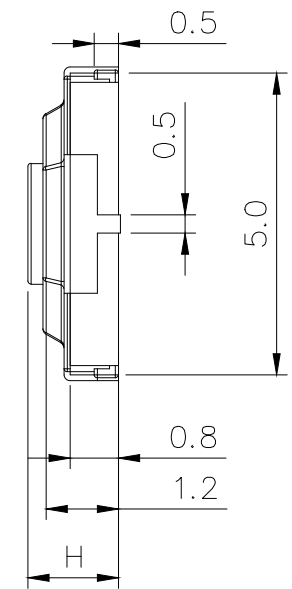
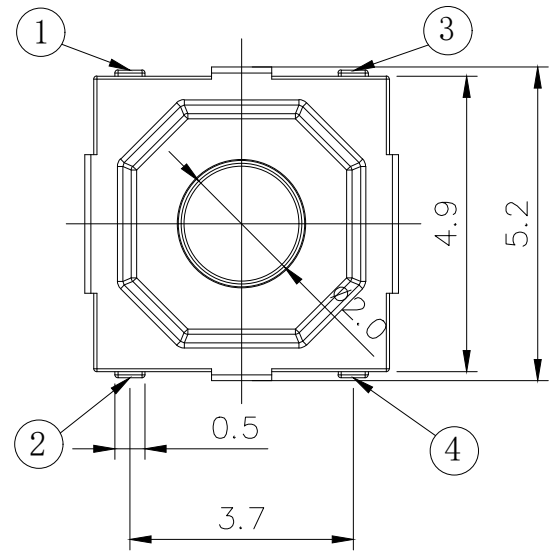
RoHS

CAD GENERATED DRAWING. DON'T CHANGE BY HAND.

REV.	ECN. NO.	APPD.



CIRCUIT DIAGRAM



PCB. WELDING DRAWING

Specification

Operating Life	100,000
Contact rating	50mA@12V DC.
Insulation resistance	100mΩ min.
Contact resistance	100mΩ max. initial.
Dielectric Strength	250 V AC(1mn)
Travel	0.2±0.15mm
Storage Temperature	-30° C to 85° C

Mechanical

ITEM	DESCRIPTION	MATERIAL	QTY	FINISH/COLOR
E	Button	Brass	1	Pickling
D	COVER	Stainless Steel	1	Cleaning
C	DOME	Stainless Steel	1	Plated Ag
B	HOUSING	PPA	1	Black
A	PIN	PHOSPHOR BRONZE	1	Plated Ag

Type	Operating Force (gf)	Height mm	Button	Leads Shape (G, J, T)	Ground pin (0, 1)	Pegs Option (0, 1)
YTS1H009	350±50	G	3.0 M (Brass)	J	1	0 (none)
		F	2.5 M (Brass)	J	1	0 (none)
		E	2.3 M (Brass)	J	1	0 (none)
YTS1H009	250±50	D	2.0 M (Brass)	J	1	0 (none)
		C	1.7 M (Brass)	J	1	0 (none)
		B	1.6 M (Brass)	J	1	0 (none)
YTS1H009	160±50	A	1.5 M (Brass)	J	1	0 (none)

X.	X.°	UNITS
±0.50	±2°	mm
±0.30	±1°	MAT'L
±0.10	±0.5°	FINISH
±0.05		Q'TY

深圳市怡远科技有限公司
SHENZHEN YIYUAN TECHNOLOGY CO., LTD

Part No. **YTS1H009**

Title: **TACTILE SWITCH 5.2x5.2 雜**

DWG No.: **YTS1H009**

APPD: ROGER	CHKD: ROC	DR: BILLY WANG 2020/08/21	SCALE: 1/1	SHEET: 1/1	REV: A1
-------------	-----------	---------------------------	------------	------------	---------

Packaging:
Reel of 4,000 pieces.

THESE DRAWINGS AND SPECIFICATIONS ARE THE PROPERTY OF YIYUAN TECHNOLOGY CO.,LTD AND SHALL NOT BE REPRODUCED, COPIED OR USED IN ANY MANNER WITHOUT THE PRIOR WRITTEN CONSENT OF YIYUAN TECHNOLOGY CO.,LTD
Email at info@yiyuanswitches.com