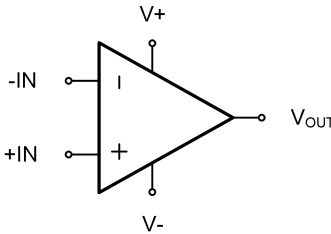


GT8021 GT8022 GT8024

50MHz, Rail-to-Rail Output CMOS Operational Amplifier

1 Features	2 Application
<ul style="list-style-type: none"> - High gain bandwidth: 50 MHz - Rail-to-rail output - 1.5 mV typical V_{os} - High slew rate: 75 V/μs - High output current: > 100 mA - Supply range: +2.5 V to +5.5 V - Quiescent current: 3 mA per amplifier 	<ul style="list-style-type: none"> - Audio ADC input buffers - Active filters - High-density systems - Video processing - Driving A/D converters

3 Description	Circuit Diagram
<p>The GT802X series of high-speed, voltage-feedback CMOS operational amplifiers are designed for video and other applications requiring wide bandwidth. They are unity-gain stable and can drive large output currents. Quiescent current is only 3mA per channel. The GT802X series of op amps are optimized for operation on single or dual supplies as low as 2.5V ($\pm 1.25V$) and up to 5.5V ($\pm 2.75V$). Common-mode input range extends beyond the supplies. The output swing is within 30mV of the rails, supporting wide dynamic range.</p> <p>All features are specified over the extended $-40^{\circ}C$ to $+125^{\circ}C$ temperature range.</p>	

4 Revision History

Revision	Date	Note
Rev. A1.0	2023. 09. 02	Original version
Rev. A1.1	2023. 12. 15	1.Updated Package Qty 2.Added Tape and Reel Information 3. Added Application Note
Rev. A1.2	2023. 12. 26	1. Added Marking 2. Added MSL
Rev. A1.3	2024. 01. 26	Updated Part Name

The latest datasheet version should be checked on the GTIC official website, as the company does not actively inform customers about updates to the datasheet.

5 Device Summary, Pin and Packages

Table 5-1. Device Summary⁽¹⁾

Serial Name	Part Name	Package	Body Size (Nom)	Marking ⁽²⁾	MSL ⁽³⁾	Package Qty
GT8021	GT8021C5	SC70-5	2.10mm×1.25mm×1.00mm	GT8021 XXXXX	3	Tape and Reel,3000
	GT8021BC5	SC70-5	2.10mm×1.25mm×1.00mm	GT8021B XXXXX	3	Tape and Reel,3000
	GT8021S5	SOT23-5	2.90mm×1.60mm×1.10mm	GT8021 XXXXX	3	Tape and Reel,3000
	GT8021BS5	SOT23-5	2.90mm×1.60mm×1.10mm	GT8021B XXXXX	3	Tape and Reel,3000
	GT8021M8	MSOP8	3.00mm×3.00mm×1.10mm	GT8021 XXXXXXXX	3	Tape and Reel,4000
	GT8021P8	SOP8(SOIC-8)	6.00mm×3.90mm×1.75mm	GT8021 XXXXXXXX	3	Tape and Reel,4000
GT8022	GT8022M8	MSOP8	3.00mm×3.00mm×1.10mm	GT8022 XXXXXXXX	3	Tape and Reel,4000
	GT8022T8	TSSOP8	3.00mm×4.40mm×1.10mm	GT8022 XXXXXXXX	3	Tape and Reel,4000
	GT8022P8	SOP8(SOIC-8)	6.00mm×3.90mm×1.75mm	GT8022 XXXXXXXX	3	Tape and Reel,4000
GT8024	GT8024TD	TSSOP14	5.00mm×4.40mm×1.20mm	GT8024 XXXXXXXX	3	Tape and Reel,4000
	GT8024PD	SOP14(SOIC-14)	8.65mm×3.90mm×1.75mm	GT8024 XXXXXXXX	3	Tape and Reel,4000

(1) For all available packages, please contact product sales

(2) There may be additional marking, which relates to the lot trace code information (data code and vendor code), the logo or the environmental category on the device.

(3) MSL, The Moisture Sensitivity Level rating according to the JEDEC industry standard classifications.

(4) "XXXXX" in Marking will be appeared as the batch code.

FAE: 13148878879

5 Device Summary, Pin and Packages(Continued)

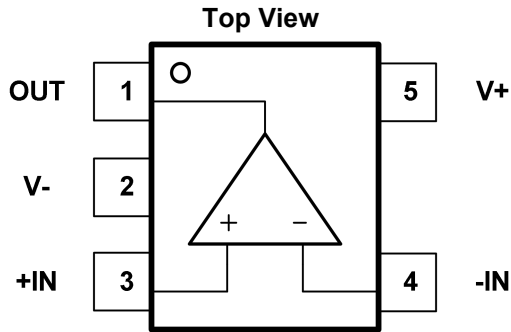


Fig.5-1. GT8021: C5(SC70-5) Package
GT8021: S5(SOT23-5) Package

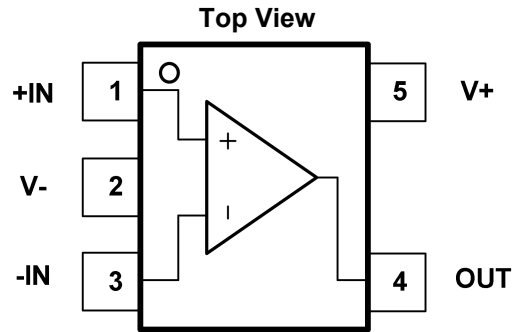


Fig.5-2. GT8021: BC5(SC70-5) Package
GT8021: BS5(SOT23-5) Package

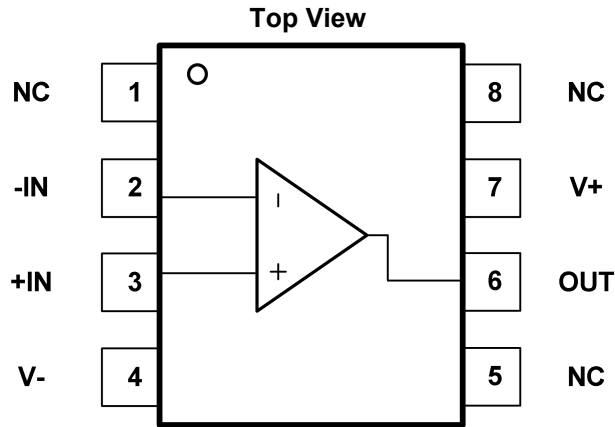
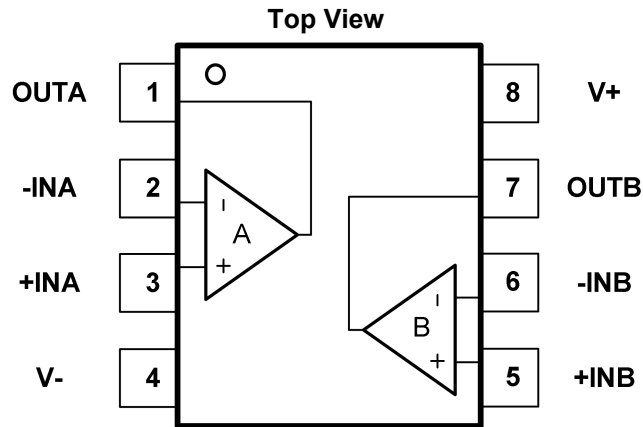


Fig.5-3. GT8021: M8(MSOP8) Package
GT8021: P8(SOP8/SOIC-8) Package

Table 5-2 Pin Definition

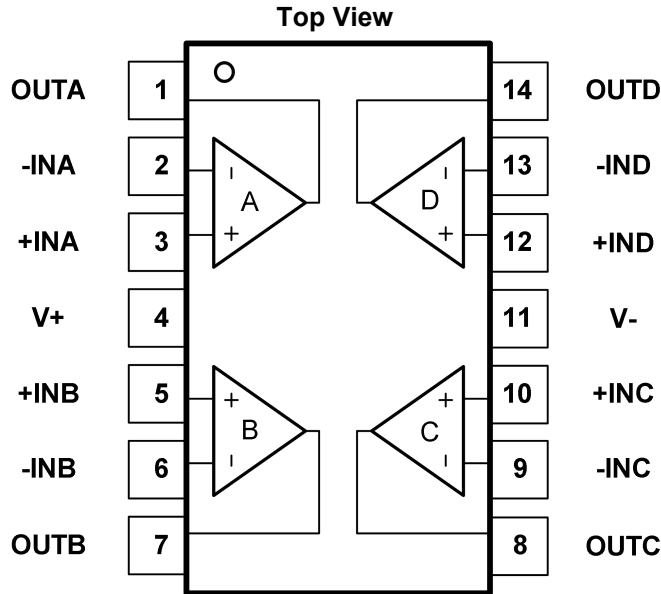
Name	Pin			I/O	Description
	C5 S5	BC5 BS5	P8 M8		
-IN	4	3	2	I	Negative (inverting) input
+IN	3	1	3	I	Positive(noninverting) input
NC	-	-	1,5,8	-	No internal connection (can be left floating)
OUT	1	4	6	O	Output
V-	2	2	4	-	Negative (lowest) power supply
V+	5	5	7	-	Positive (highest) power supply

* It is suggested to leave the unconnected pins floating.

5 Device Summary, Pin and Packages(Continued)

Fig.5-4. GT8022: P8(SOP8/SOIC-8) Package
GT8022: M8(MSOP8) Package
GT8022: T8(TSSOP8) Package
Table 5-3 Pin Definition

Name	Pin			I/O	Description
	P8	M8	T8		
-INA	2			I	Inverting input, channel A
+INA	3			I	Noninverting input, channel A
-INB		6		I	Inverting input, channel B
+INB		5		I	Noninverting input, channel B
OUTA	1			O	Output, channel A
OUTB		7		O	Output, channel B
V-		4		-	Negative (lowest) power supply
V+		8		-	Positive (highest) power supply

* It is suggested to leave the unconnected pins floating.

5 Device Summary, Pin and Packages(Continued)

Fig.5-5. GT8024: TD(TSSOP14) Package
GT8024: PD(SOIC-14/SOP14) Package
Table 5-4 Pin Definition

Name	Pin	I/O	Description
	PD TD		
-INA	2	I	Inverting input, channel A
+INA	3	I	Noninverting input, channel A
-INB	6	I	Inverting input, channel B
+INB	5	I	Noninverting input, channel B
-INC	9	I	Inverting input, channel C
+INC	10	I	Noninverting input, channel C
-IND	13	I	Inverting input, channel D
+IND	12	I	Noninverting input, channel D
OUTA	1	O	Output, channel A
OUTB	7	O	Output, channel B
OUTC	8	O	Output, channel C
OUTD	14	O	Output, channel D
V-	11	-	Negative (lowest) power supply
V+	4	-	Positive (highest) power supply

* It is suggested to leave the unconnected pins floating.

6 Voltage, Temperature, ESD and Thermal ratings

6.1 Absolute Maximum Ratings

Parameters	Min.	Max.	Unit
Supply Voltage, $V_S=(V+) - (V-)$		6.5	V
Select Input Voltage	(V-)-0.5	(V+)+0.5	V
Maximum Junction Temperature	-55	150	°C
Storage Temperature Range	-55	150	°C

(1) Stresses above these ratings may cause permanent damage. Exposure to absolute maximum conditions for extended periods may degrade device reliability. These are stress ratings only, and functional operation of the device at these or any other conditions beyond those specified is not implied.

(2) Input terminals are diode-clamped to the power-supply rails. Input signals that can swing more than 0.3V beyond the supply rails should be current-limited to 10mA or less.

6.2 ESD Ratings

ESD		Value	Unit
V(ESD)	Electrostatic Discharge	Human-body Model (HBM)	5 K
		Charged Device Model (CDM)	2 K

(1) JEDEC document JEP155 states that 500-V HBM allows safe manufacturing with a standard ESD control process.

(2) JEDEC document JEP157 states that 250-V CDM allows safe manufacturing with a standard ESD control process.

6.3 Recommended Operating Conditions

Over operating free-air temperature range (unless otherwise noted)

Symbol	Parameters	Min	Max	Unit
VCC	Single-Supply, $V_S=(V+) - (V-)$	2.5	5.5	V
	Dual-Supply, $V_S=(V+) - (V-)$	±1.25	±2.75	V
TA	Operating Temperature	-40	125	°C

6.4 Thermal Information

Package Type	θ_{JA}	θ_{JC}	Unit
SC70-5	400	150	°C/W
SOT23-5	250	81	°C/W
MSOP-8	210	45	°C/W
SOP-8(SOIC-8)	158	43	°C/W
TSSOP8	191	50	°C/W
TSSOP-14	180	35	°C/W
SOP-14(SOIC-14)	120	36	°C/W

7 Electrical Specifications

$V_{CC}=5V$, $G=+2$, $R_F=1k\Omega$, and $R_L=1k\Omega$ connected to $V_{CC}/2$, $V_{IN_CM}=V_{CC}/2$. FULL= $-40^{\circ}C$ to $+125^{\circ}C$. Typical values are at $T_A=+25^{\circ}C$. (unless otherwise noted)

Parameter	Symbol	Test Conditions	Vcc	TA	Min	Typ	Max	Units
POWER SUPPLY								
Operating Voltage	V_S		2.5V to 5.5V	FULL	2.5		5.5	V
Quiescent Current (per Amplifier)	IQ	$T_A=25^{\circ}C$, $V_{CC}=5V$, $I_O=0$	5V	+25 $^{\circ}C$		3		mA
		$T_A=-40^{\circ}C$ to $+125^{\circ}C$		FULL		5.5	mA	
Power-Supply Rejection Ratio	PSRR	$V_{CC}=2.5V$ to $5.5V$, $V_{CM}=(V_-)+0.5V$	2.5V to 5.5V	+25 $^{\circ}C$	70	95		dB
INPUT								
Input Bias Current	I_B		5V	+25 $^{\circ}C$		± 1	± 10	pA
Input Offset Current	I_{OS}		5V	+25 $^{\circ}C$		± 1	± 10	pA
Input Offset Voltage	V_{OS}	$V_{CC}=5V$	5V	+25 $^{\circ}C$		± 1.5	± 6.5	mV
				FULL			± 7	mV
Input Offset Voltage vs Temperature	dV_{OS}/dT	$V_{CC}=5V$	5V	FULL		4		$\mu V/^{\circ}C$
Common-Mode Voltage	V_{CM}	$V_{CC}=5V$	5V	FULL	-0.3		3.6	V
Common-Mode Rejection Ratio	CMRR	$V_{CC}=5.5V$, $-0.1V < V_{CM} < 3.5V$	5.5V	+25 $^{\circ}C$	66	85		dB
Input Voltage Noise Density	e_n	$f=1MHz$	2.5V to 5.5V	+25 $^{\circ}C$		13		nV/ \sqrt{Hz}
OPEN-LOOP GAIN								
Open-Loop Gain	A_{OL}	$V_{CC}=5V$, $V_O=4.8V$, $R_L=1k\Omega$	5V	FULL	90	105		dB
		$V_{CC}=5V$, $V_O=4.7V$, $R_L=150\Omega$	5V	FULL	85	90		dB

7 Electrical Specifications(Continued)

$V_{CC}=5V$, $G=+2$, $R_F=1k\Omega$, and $R_L=1k\Omega$ connected to $V_{CC}/2$, $V_{IN_CM}=V_{CC}/2$. FULL= $-40^{\circ}C$ to $+125^{\circ}C$. Typical values are at $T_A=+25^{\circ}C$. (unless otherwise noted)

Parameter	Symbol	Test Conditions	Vcc	TA	Min	Typ	Max	Units
FREQUENCY RESPONSE								
Small-Signal Bandwidth	f_{-3dB}	At $G=+1$, $V_O=100mV_{PP}$, $R_F=25\Omega$	5V	$+25^{\circ}C$		50		MHz
		At $G=+2$, $V_O=100mV_{PP}$, $R_F=1k\Omega$	5V	$+25^{\circ}C$		30		MHz
		At $G=+5$, $V_O=100mV_{PP}$, $R_F=4k\Omega$	5V	$+25^{\circ}C$		9		MHz
		At $G=+10$, $V_O=100 mV_{PP}$, $R_F=9k\Omega$	5V	$+25^{\circ}C$		4		MHz
Slew Rate	SR	$V_{CC}=5V$, $G=+2$, 4-V Step Output	5V	$+25^{\circ}C$		75		V/ μs
OUTPUT								
Voltage Output Swing From Rail	SWING	$R_L=1k\Omega$	2.5V to 5.5V	FULL		30		mV
Output Current Source	I_{O_SOURCE}	$V_{CC}=5V$	5V	$+25^{\circ}C$		100		mA
Output Current Sink	I_{O_SINK}	$V_{CC}=5V$	5V	$+25^{\circ}C$		100		mA

8 Typical Characteristics

$V_{CC}=5V$, $G=+2$, $R_F=1K\Omega$, and $R_L=1K\Omega$ connected to $V_{CC}/2$, $V_{IN_CM}=V_{CC}/2$. $T_A=+25^\circ C$. (unless otherwise noted)

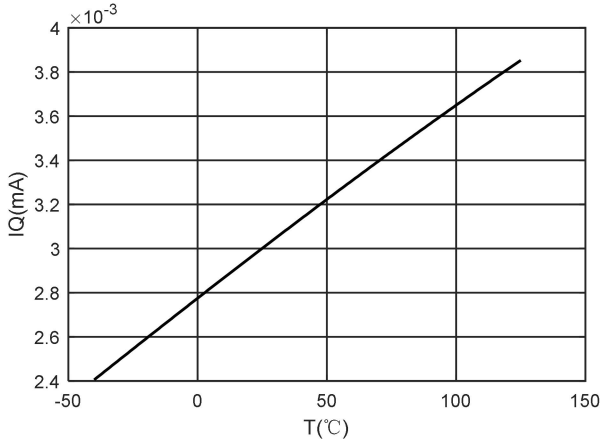


Fig.8-1. IQ vs Temperature

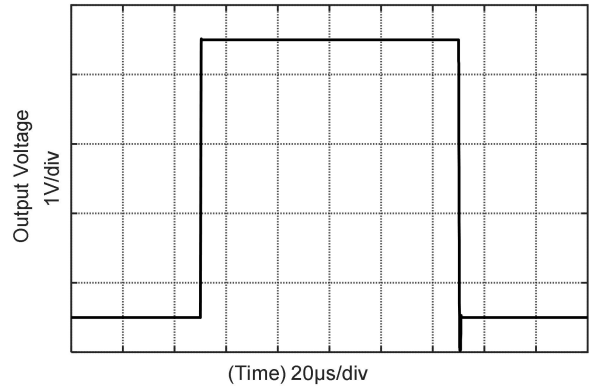


Fig.8-2. Large Signal Response

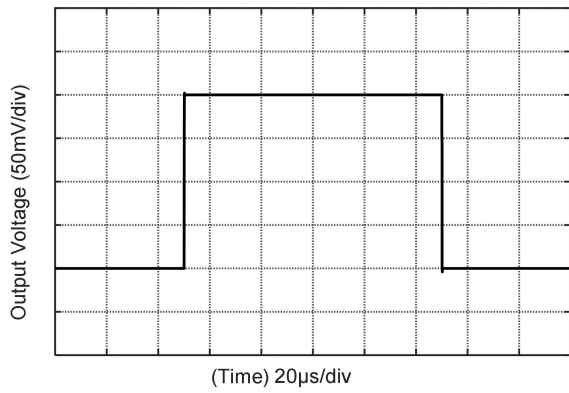


Fig.8-3. Small Signal Response

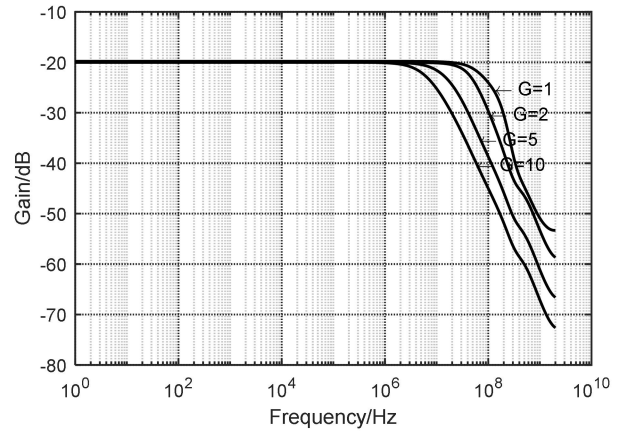


Fig.8-4. Small Signal Frequency Response

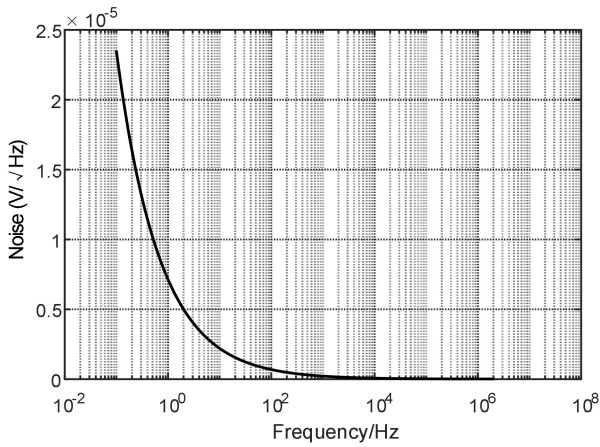


Fig.8-5. Noise Response

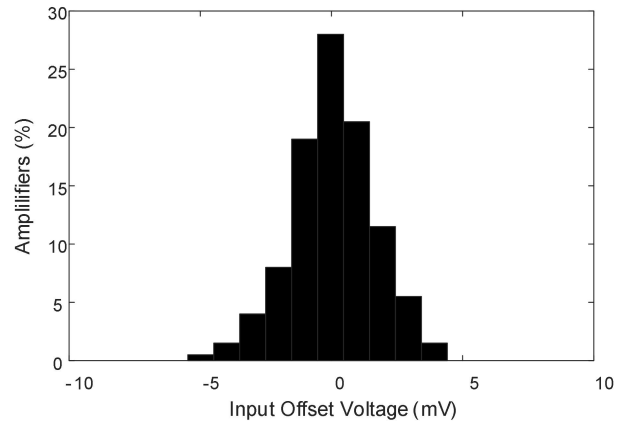


Fig.8-6. Offset Voltage

9 Detailed Description

The GT802X is a CMOS, rail-to-rail output, high-speed, voltage feedback operational amplifier designed for video, high-speed, and other applications. It is available as a single, dual, or quad op amp. The amplifier features a 50-MHz gain bandwidth, and 75-V/ μ s slew rate.

A class AB output stage with common-source transistors achieves rail-to-rail output. For high-impedance loads ($>200\Omega$), the output voltage swing is typically 30mV from the supply rails. With 10- Ω loads, a useful output swing is achieved while maintaining high open-loop gain.

10 Application Note

Wide gain bandwidth, low input bias current, low input voltage, and current noise make the GT802X family of devices an ideal wideband photodiode transimpedance amplifier. Low-voltage noise is important because photodiode capacitance causes the effective noise gain of the circuit to increase at high frequency. The key elements to a transimpedance design, as shown in Figure.10-1, are the expected diode capacitance, (which include the parasitic input common-mode and differential-mode input capacitance) the desired transimpedance gain, and the gain-bandwidth (GBW) for the GT802X family of devices (50MHz). With these three variables set the feedback capacitor value is set to control the frequency response. Feedback capacitance includes the stray capacitance, which is 0.2pF for a typical surface-mount resistor.

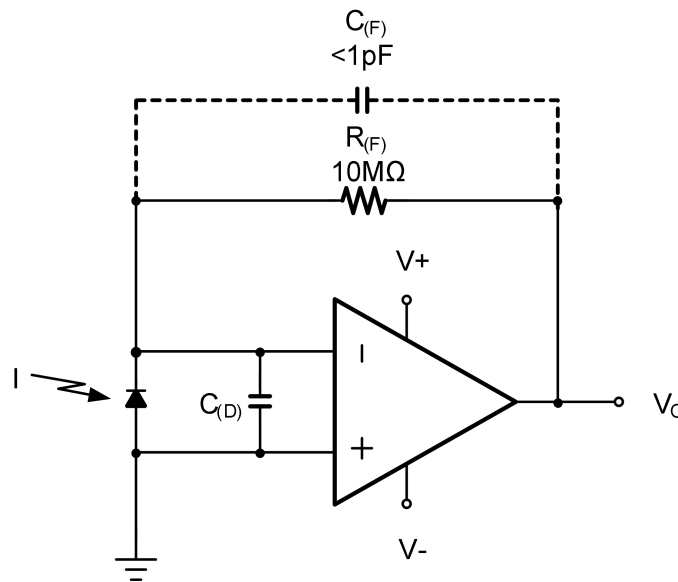
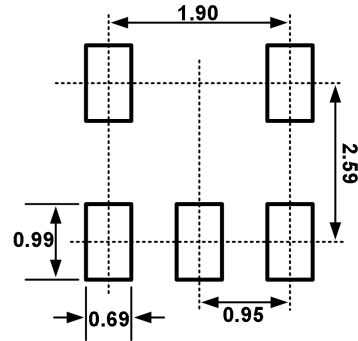
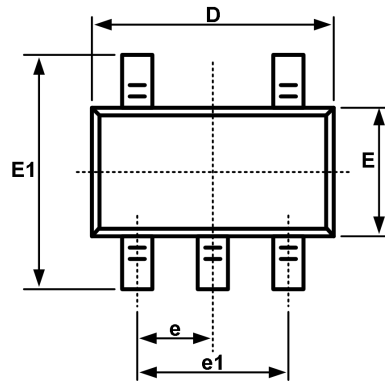


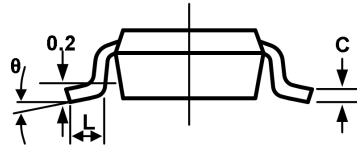
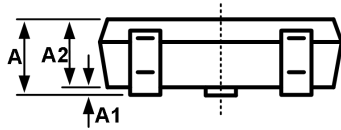
Fig.10-1. Dual-Supply Amplifier

11 Package Outline Dimension

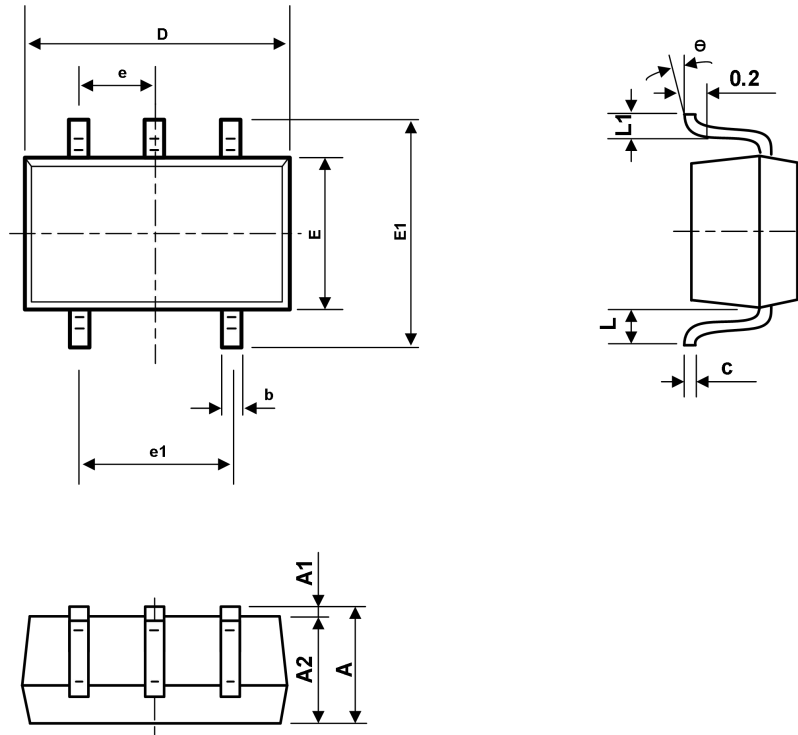
SOT23-5



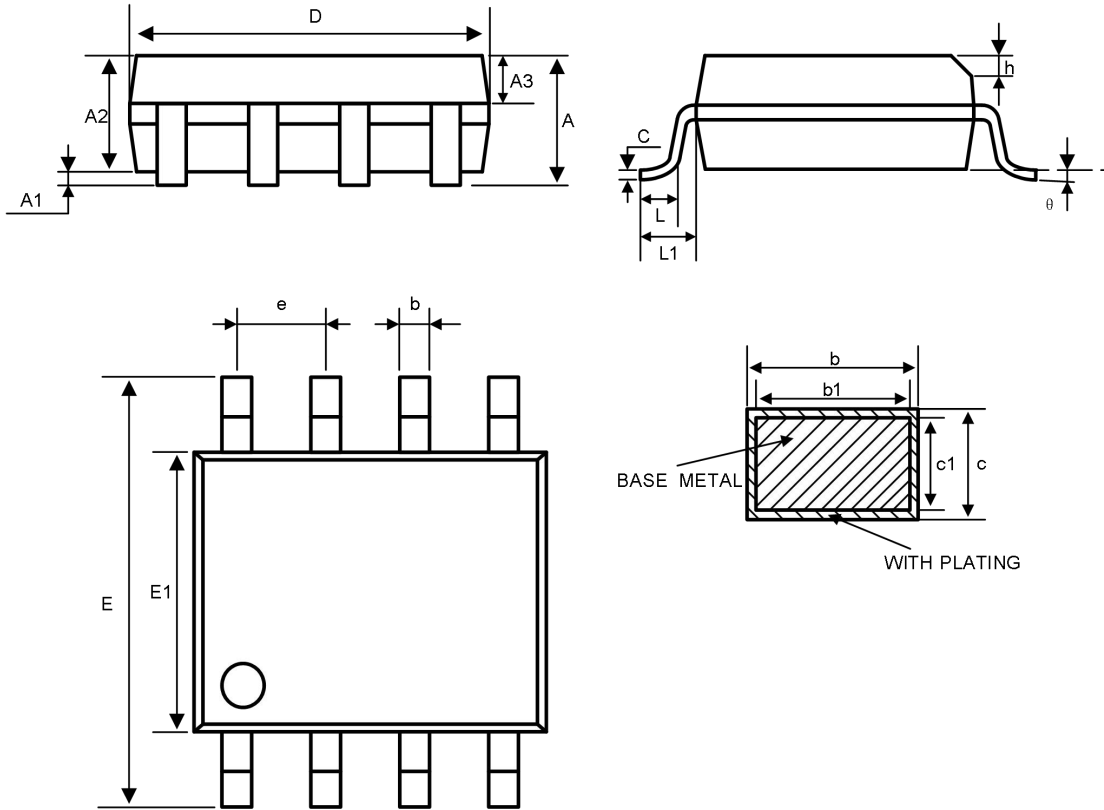
Recommended Land Pattern (Unit: mm)



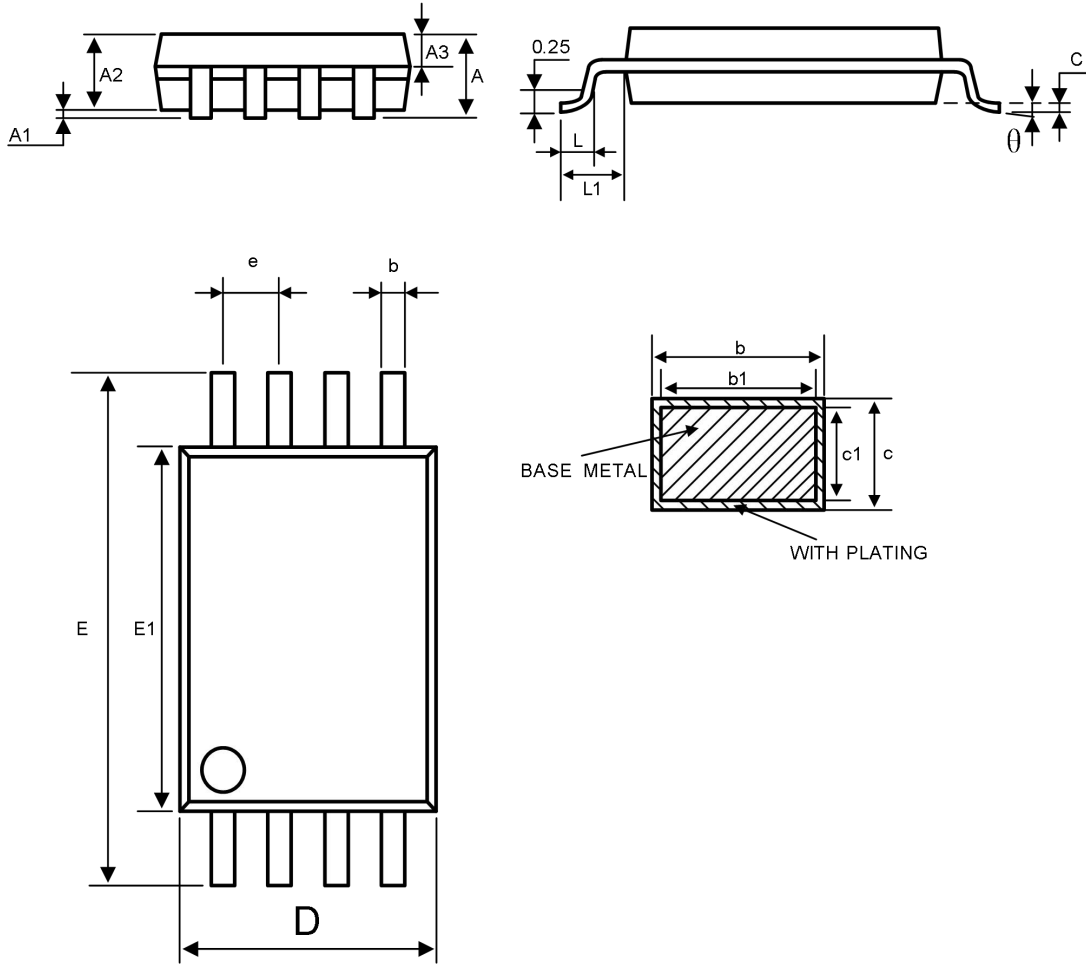
Symbol	Dimensions In Millimeters		Dimensions In Inches	
	Min	Max	Min	Max
A	1.050	1.250	0.041	0.049
A1	0.000	0.100	0.000	0.004
A2	1.050	1.150	0.041	0.045
b	0.300	0.500	0.012	0.020
c	0.100	0.200	0.004	0.008
D	2.820	3.020	0.111	0.119
E	1.500	1.700	0.059	0.067
E1	2.650	2.950	0.104	0.116
e	0.950BSC		0.037BSC	
e1	1.800	2.000	0.071	0.079
L	0.300	0.600	0.012	0.024
L1	0.600REF		0.024REF	
θ	0°	8°	0°	8°

11 Package Outline Dimension(Continued)
SC70-5


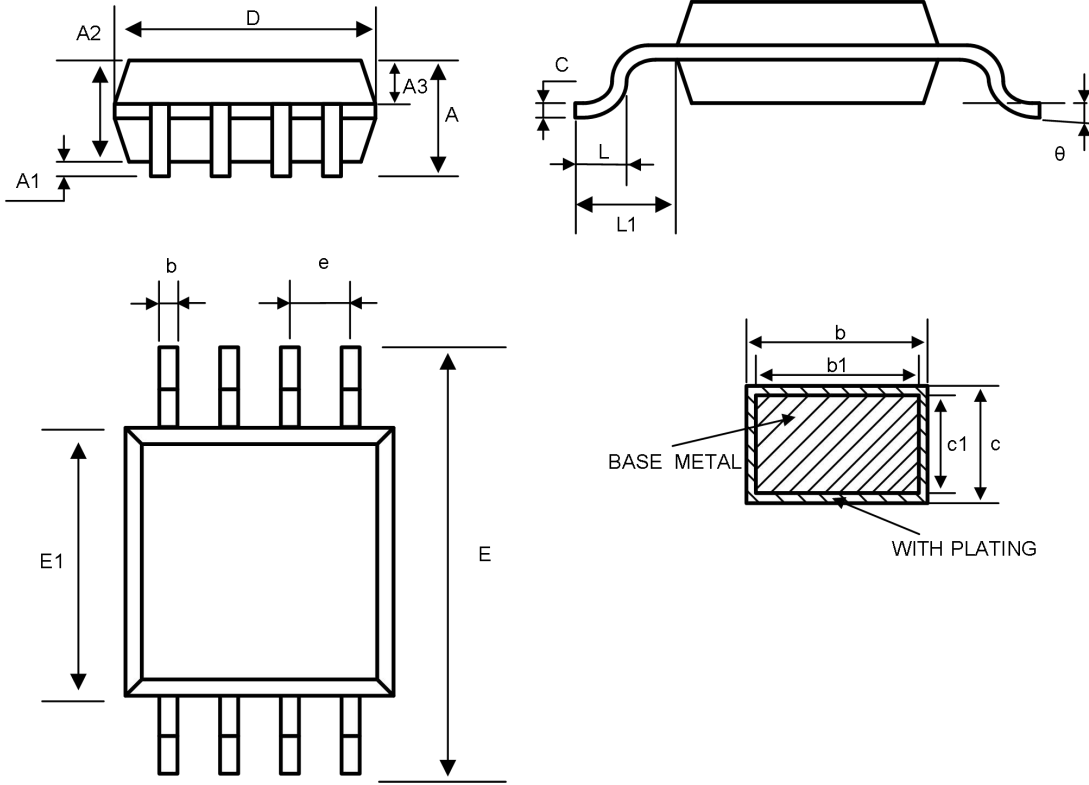
Symbol	Dimensions In Millimeters		Dimensions In Inches	
	Min	Max	Min	Max
A	0.900	1.100	0.035	0.043
A1	0.000	0.100	0.000	0.004
A2	0.900	1.000	0.035	0.039
b	0.150	0.350	0.006	0.014
c	0.110	0.175	0.004	0.007
D	2.000	2.200	0.079	0.087
E	1.150	1.350	0.045	0.053
E1	2.150	2.450	0.085	0.096
e	0.650TYP		0.026TYP	
e1	1.200	1.400	0.047	0.055
L	0.525REF		0.021REF	
L1	0.260	0.460	0.010	0.018
θ	0°	8°	0°	8°

11 Package Outline Dimension(Continued)
SOP8


Symbol	Dimensions In Millimeters			Dimensions In Inches		
	Min	Nom	Max	Min	Nom	Max
A	—	—	1.750			0.069
A1	0.100	—	0.225	0.004		0.009
A2	1.300	1.400	1.500	0.051	0.055	0.059
A3	0.600	0.650	0.700	0.024	0.026	0.028
b	0.390	—	0.470	0.015		0.019
b1	0.380	0.410	0.440	0.015	0.016	0.017
c	0.200	—	0.210	0.008		0.008
c1	4.800	4.900	5.000	0.189	0.193	0.197
D	5.800	6.000	6.200	0.228	0.236	0.244
E	5.800	6.000	6.200	0.228	0.236	0.244
E1	3.800	3.900	4.000	0.150	0.154	0.157
e	1.270BSC			0.050BSC		
h	0.250	—	0.500	0.010		0.020
L	0.500	—	0.800	0.020		0.031
L1	1.050REF			0.041REF		
θ	0°	—	8°	0°	—	8°

11 Package Outline Dimension(Continued)
TSSOP8


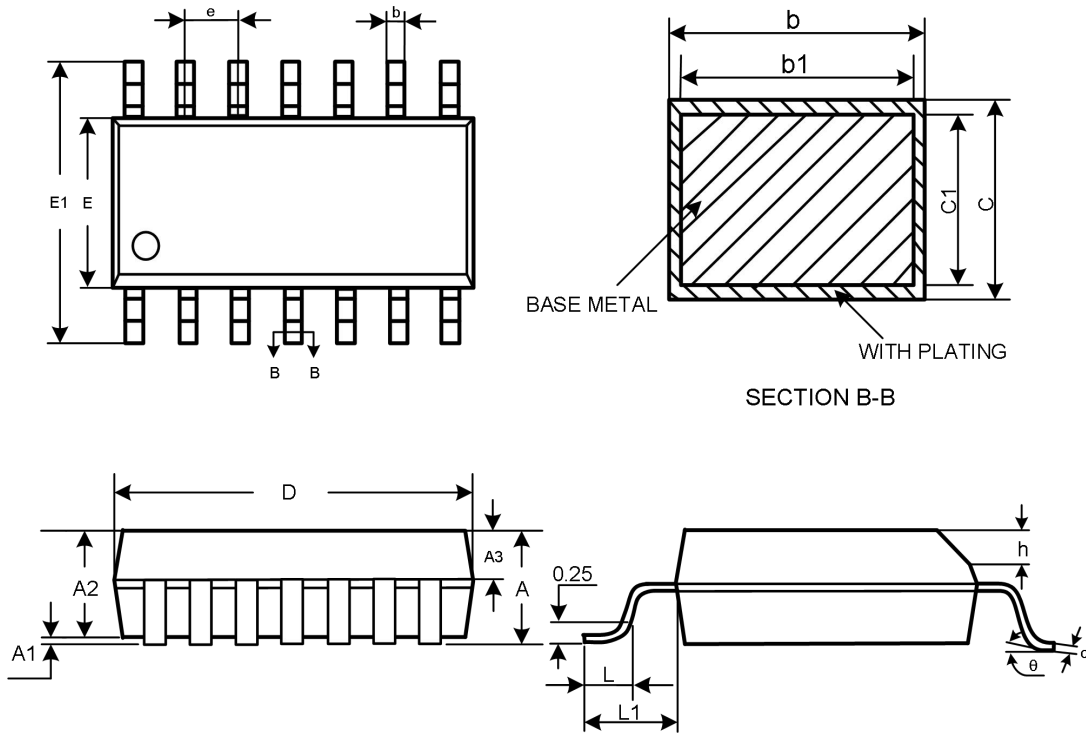
Symbol	Dimensions In Millimeters			Dimensions In Inches		
	Min	Nom	Max	Min	Nom	Max
A	—	—	1.200	—	—	0.047
A1	0.050	—	0.150	0.002	—	0.06
A2	0.900	1.000	1.050	0.035	0.039	0.041
A3	0.390	0.440	0.490	0.015	0.017	0.019
b	0.200	—	0.280	0.008	—	0.011
b1	0.190	0.220	0.250	0.007	0.009	0.010
c	0.130	—	0.170	0.005	—	0.007
c1	0.120	0.130	0.140	0.005	0.005	0.005
D	2.900	3.000	3.100	0.114	0.118	0.122
E1	4.300	4.400	4.500	0.169	0.173	0.177
E	6.200	6.400	6.600	0.244	0.252	0.260
e	0.650BSC			0.026BSC		
L	0.450	—	0.750	0.018	—	0.030
L1	1.000REF			0.039REF		
θ	0°	—	8°	0°	—	8°

11 Package Outline Dimension(Continued)
MSOP8


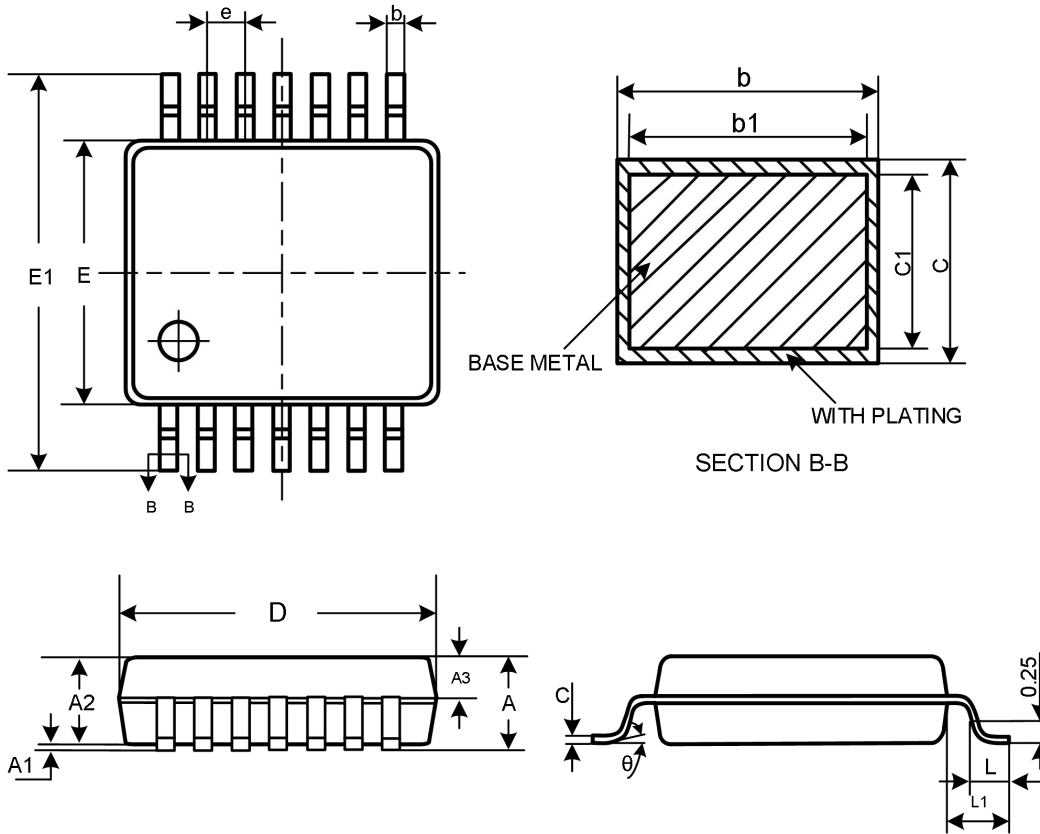
Symbol	Dimensions In Millimeters			Dimensions In Inches		
	Min	Nom	Max	Min	Nom	Max
A	—	—	1.100	—	—	0.043
A1	0.050	—	0.150	0.002	—	0.006
A2	0.750	0.850	0.950	0.030	0.033	0.037
A3	0.300	0.350	0.400	0.012	0.014	0.016
b	0.280	—	0.360	0.011	—	0.014
b1	0.270	0.300	0.330	0.011	0.012	0.013
c	0.150	—	0.190	0.006	—	0.007
c1	0.140	0.150	0.160	0.006	0.006	0.006
D	2.900	3.000	3.100	0.114	0.118	0.122
E	4.700	4.900	5.100	0.185	0.193	0.201
E1	2.900	3.000	3.100	0.114	0.118	0.122
e	0.650BSC			0.026BSC		
L	0.400	—	0.700	0.016	—	0.028
L1	0.950REF			0.037REF		
θ	0°	—	8°	0°	—	8°

11 Package Outline Dimension(Continued)

SOP14

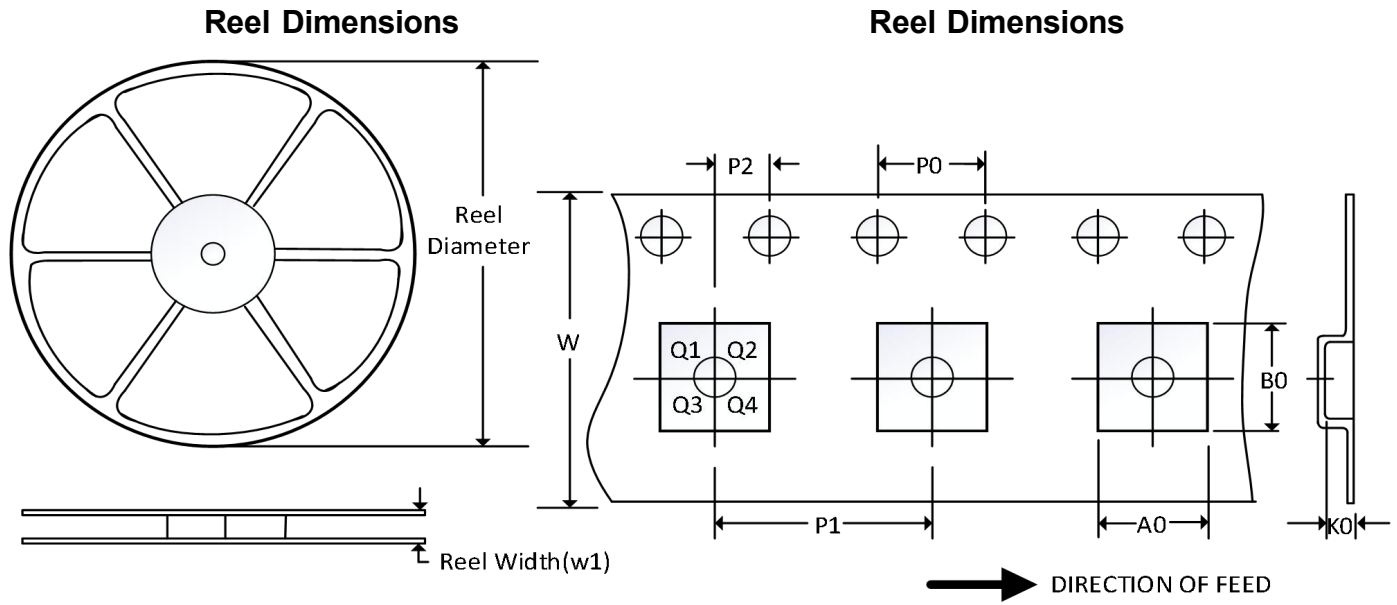


Symbol	Dimensions In Millimeters			Dimensions In Inches		
	Min	Nom	Max	Min	Nom	Max
A	—	—	1.750	—	—	0.069
A1	0.100	—	0.225	0.004	—	0.009
A2	1.300	1.400	1.500	0.051	0.055	0.059
A3	0.600	0.650	0.700	0.024	0.026	0.028
b	0.390	—	0.470	0.015	—	0.019
b1	0.380	0.410	0.440	0.015	0.016	0.017
c	0.200	—	0.240	0.008	—	0.009
c1	0.190	0.200	0.210	0.007	0.008	0.008
D	8.550	8.650	8.750	0.337	0.341	0.344
E	5.800	6.000	6.200	0.228	0.236	0.244
E1	3.800	3.900	4.000	0.150	0.154	0.157
e	1.270BSC			0.05BSC		
h	0.250	—	0.500	0.010	—	0.020
L	0.500	—	0.800	0.020	—	0.031
L1	1.050REF			0.041REF		
θ	0°	—	8°	0°	—	8°

11 Package Outline Dimension(Continued)
TSSOP14


Symbol	Dimensions In Millimeters			Dimensions In Inches		
	Min	Nom	Max	Min	Nom	Max
A	—	—	1.200	—	—	0.047
A1	0.050	—	0.150	0.002	—	0.006
A2	0.900	1.000	1.050	0.035	0.039	0.041
A3	0.390	0.440	0.490	0.015	0.017	0.019
b	0.200	—	0.280	0.008	—	0.011
b1	0.190	0.220	0.250	0.007	0.009	0.010
c	0.130	—	0.170	0.005	—	0.007
c1	0.120	0.130	0.140	0.005	0.005	0.006
D	4.900	5.000	5.100	0.193	0.197	0.201
E1	4.300	4.400	4.500	0.169	0.173	0.177
E	6.200	6.400	6.600	0.244	0.252	0.260
e	0.650BSC			0.026BSC		
L	0.450	0.600	0.750	0.018	0.024	0.030
L1	1.000BCS			0.039BSC		
θ	0°	—	8°	0°	—	8°

12 Tape and Reel Information



NOTE: The picture is only for reference. Please make the object as the standard.

KEY PARAMETER LIST OF TAPE AND REEL

Package Type	Reel Diameter	Reel Width (mm)	A0 (mm)	B0 (mm)	K0 (mm)	P0 (mm)	P1 (mm)	P2 (mm)	W (mm)	Pin1 Quadrant
SOT23-5	7"	9.5	3.20	3.20	1.40	4.0	4.0	2.0	8.0	Q3
SC70-5	7"	9.5	2.25	2.55	1.20	4.0	4.0	2.0	8.0	Q3
MSOP-8	13"	12.4	5.20	3.30	1.50	4.0	8.0	2.0	12.0	Q1
TSSOP-14	13"	12.4	6.95	5.60	1.20	4.0	8.0	2.0	12.0	Q1
SOIC-8 (SOP8)	13"	12.4	6.40	5.40	2.10	4.0	8.0	2.0	12.0	Q1
SOIC-14 (SOP14)	13"	16.4	6.60	9.30	2.10	4.0	8.0	2.0	16.0	Q1
TSSOP-8	13"	12.4	6.90	3.45	1.65	4.0	8.0	2.0	12.0	Q1

NOTE:

1. All dimensions are nominal.
2. Plastic or metal protrusions of 0.15mm maximum per side are not included.