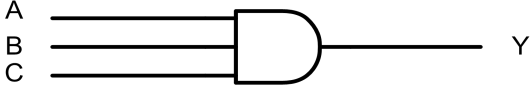


GT74LVC1G11 Dual 2-Input Positive-AND Gate

1 Features	2 Application
<ul style="list-style-type: none"> - Supports 5V V_{CC} operation - Inputs accept voltages to 5.5 V - Provides down translation to V_{CC} - Low power consumption, 10-μA Max I_{CC} - ± 24-mA output drive at 3.3 V - I_{off} supports live insertion, partial-power-down mode, and back drive protection 	<ul style="list-style-type: none"> - Active noise cancellation (ANC) - Barcode scanner - Blood pressure monitor - CPAP machine - Fingerprint biometrics - HVAC: heating, ventilating, and air conditioning - Network-attached storage (NAS) - Server motherboard and PSU - Software defined radio (SDR) - Video communications system

3 Description	Circuit Diagram
<p>This single 3-input positive-AND gate is designed for 1.65-V to 5.5-V V_{CC} operation.</p> <p>The GT74LVC1G11 performs the Boolean function $Y=A \cdot B \cdot C$ or $Y=\overline{A} + \overline{B} + \overline{C}$ in positive logic.</p> <p>The GT74LVC1G11 device is fully specified for partial-power-down applications using I_{off}. The I_{off} circuitry disables the outputs, preventing damaging current backflow through the device when it is powered down.</p>	

4 Revision History

Revision	Date	Note
Rev. A1.0	2023. 10. 23	Original Version
Rev.A1.1	2023. 10. 23	1.Updated Package Qty 2.Added Tape and Reel Information 3. Added Application Note
Rev.A1.2	2023. 12. 26	1. Added Marking 2. Added MSL
Rev.A1.3	2024. 01. 26	Updated Part Name

The latest datasheet version should be checked on the GTIC official website, as the company does not actively inform customers about updates to the datasheet.

5 Device Summary, Pin and Packages

Table. 5-1. Device Summary⁽¹⁾

Serial Name	Part Name	Package	Body Size (Nom)	Marking ⁽²⁾⁽⁴⁾	MSL ⁽³⁾	Package Qty
GT74LVC1G11	GT74LVC1G11S6	SOT23-6	2.90mm×1.60mm×1.10mm	1G11 XXXXX	3	Tape and Reel,3000
	GT74LVC1G11C6	SC70-6	2.10mm×1.25mm×1.00mm	1G11 XXXXX	3	Tape and Reel,3000

(1) For all available packages, please contact product sales.

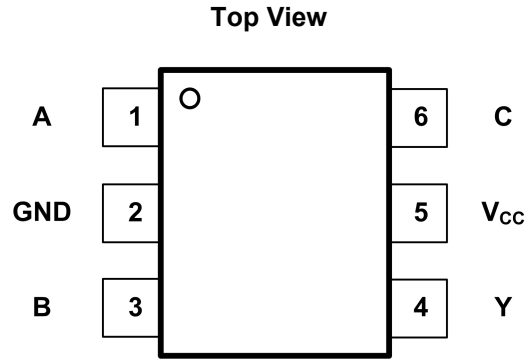
(2) There may be additional marking, which relates to the lot trace code information (data code and vendor code), the logo or the environmental category on the device.

(3) MSL, The Moisture Sensitivity Level rating according to the JEDEC industry standard classifications.

(4) "XXXXX" in Marking will be appeared as the batch code.

FAE: 13148878879

5 Device Summary, Pin and Packages(continued)



**Fig.5-1. GT74LVC1G11: S6(SOT23-6) Package
GT74LVC1G11: C6(SC70-6) Package**

Table. 5-2. Pin Definition

Pin		Type	Description
Name	S6 C6		
A	1	I	Data Input
GND	2	-	Ground
B	3	I	Data Input
Y	4	O	Data Output
V _{cc}	5	-	Supply Voltage
C	6	I	Data Input

6 Voltage, Temperature, ESD and Thermal ratings

6.1 Absolute Maximum Ratings⁽¹⁾

Parameters		Min	Max	Unit
V_{CC}	Supply voltage range	-0.5	6.5	V
V_I	Input voltage range	-0.5	6.5	V
V_O	Voltage range applied to any output in the high-impedance or power-off state ⁽²⁾	-0.5	6.5	V
V_O	Voltage range applied to any output in the high or low state ⁽²⁾	-0.5	$V_{CC}+0.5$	V
I_{IK}	Input clamp current	$V_I < 0$	-50	mA
I_{OK}	Output clamp current	$V_O < 0$	-50	mA
I_O	Continuous output current		± 50	mA
	Continuous current through V_{CC} or GND		± 100	mA
T_J	Junction temperature under bias		150	$^{\circ}\text{C}$
T_{stg}	Storage temperature range	-55	150	$^{\circ}\text{C}$

(1) Stresses beyond those listed under Absolute Maximum Ratings may cause permanent damage to the device. These are stress ratings only, and functional operation of the device at these or any other conditions beyond those indicated under Recommended Operating Conditions is not implied. Exposure to absolute-maximum-rated conditions for extended periods may affect device reliability.

(2) The input negative-voltage and output voltage ratings may be exceeded if the input and output current ratings are observed.

6.2 ESD Ratings

ESD		Value	Unit	
V(ESD)	Electrostatic Discharge	Human-body model (HBM) ⁽¹⁾	8 K	V
		Charged-Device Model (CDM) ⁽²⁾	2 K	V

(1) JEDEC document JEP155 states that 500-V HBM allows safe manufacturing with a standard ESD control process.

(2) JEDEC document JEP157 states that 250-V CDM allows safe manufacturing with a standard ESD control process.

6 Voltage, Temperature, ESD and Thermal ratings(continued)

6.3 Recommended Operating Conditions

Over operating free-air temperature range (unless otherwise noted)

Symbol	Parameter	Min	Max	Unit
V _{CC}	Supply Voltage	1.65	5.5	V
V _{IH}	High-Level Input Voltage	VCC=1.65V to 1.95V	0.65×VCC	V
		VCC=2.3V to 2.7V	1.7	
		VCC=3V to 3.6V	2	
		VCC=4.5V to 5.5V	0.7×VCC	
V _{IL}	Low-Level Input Voltage	VCC=1.65V to 1.95V	0.35×VCC	V
		VCC=2.3V to 2.7V	0.7	
		VCC=3V to 3.6V	0.8	
		VCC=4.5V to 5.5V	0.3×VCC	
V _I	Input Voltage	0	5.5	V
V _O	Output Voltage	0	VCC	V
I _{OH}	High-Level Output Current	VCC=1.65V	-4	mA
		VCC=2.3V	-8	
		VCC=3V	-16	
		VCC=4.5V	-24	
		VCC=4.5V	-32	
I _{OL}	Low-Level Output Current	VCC=1.65V	4	mA
		VCC=2.3V	8	
		VCC=3V	16	
		VCC=3V	24	
		VCC=4.5V	32	
Δt/Δv	Input Transition Rise or Fall Rate	VCC=1.8V±0.15V, 2.5V±0.2V	20	ns/V
		VCC=3.3V±0.3V	10	
		VCC=5V±0.5V	5	
TA	Operating Free-Air Temperature	-40	125	°C

6.4 Thermal Information

Package Type	θ _{JA}	θ _{JC}	Unit
SOT23-6	196	81	°C/W
SC70-6	178	98	°C/W

7 Electrical Specifications⁽¹⁾

Over recommended operating free-air temperature range (unless otherwise noted)

Parameter	Test Conditions	V _{CC}	-40°C to 85°C			-40°C to 125°C			Unit
			Min	Typ	Max	Min	Typ	Max	
V _{OH}	I _{OH} =-100 μA	1.65 V to 5.5 V	V _{CC} -0.1			V _{CC} -0.1			V
	I _{OH} =-4 mA	1.65 V	1.2			1.2			
	I _{OH} =-8 mA	2.3 V	1.9			1.9			
	I _{OH} =-16 mA	3 V	2.4			2.4			
	I _{OH} =-24 mA		2.3			2.3			
	I _{OH} =-32 mA	4.5 V	3.8			3.8			
V _{OL}	I _{OL} =100 μA	1.65 V to 5.5 V			0.1			0.1	V
	I _{OL} =4 mA	1.65 V			0.45			0.45	
	I _{OL} =8 mA	2.3 V			0.3			0.3	
	I _{OL} =16 mA	3 V			0.4			0.4	
	I _{OL} =24 mA				0.55			0.55	
	I _{OL} =32 mA	4.5 V			0.55			0.55	
I _I	A or B or C Inputs	V _I =5.5 V or GND			±5			±5	μA
I _{off}		V _I or V _O =5.5 V			±10			±10	μA
I _{CC}		V _I =5.5 V or GND, I _O =0	1.65 V to 5.5 V		10			10	μA
ΔI _{CC}		One Input at V _{CC} -0.6 V, Other Inputs at V _{CC} or GND	3 V to 5.5 V		500			500	μA
C _i		V _I =V _{CC} or GND	3.3 V		4			4	pF

(1) All unused digital inputs of the device must be held at V_{CC} or GND to ensure proper device operation.

7 Electrical Specifications (continued)

Switching Characteristics, CL=15 pF

Over recommended operating free-air temperature range (unless otherwise noted)

Parameter	From (Input)	To (Output)	-40°C to 85°C								Unit
			V _{CC} =1.8 V ± 0.15 V		V _{CC} =2.5 V ± 0.2 V		V _{CC} =3.3 V ± 0.3 V		V _{CC} =5 V ± 0.5 V		
			Min	Max	Min	Max	Min	Max	Min	Max	
tpd	A or B or C	Y	2.6	15.2	1.6	5.6	1.2	4.1	1	3.1	ns

Over recommended operating free-air temperature range, CL=30 pF or 50 pF (unless otherwise noted)

Parameter	From (Input)	To (Output)	-40°C to 85°C								Unit
			V _{CC} =1.8 V ± 0.15 V		V _{CC} =2.5 V ± 0.2 V		V _{CC} =3.3 V ± 0.3 V		V _{CC} =5 V ± 0.5 V		
			Min	Max	Min	Max	Min	Max	Min	Max	
tpd	A or B or C	Y	2.9	17.2	1.4	6.2	1.3	4.9	1	3.5	ns

Over recommended operating free-air temperature range, CL=30 pF or 50 pF (unless otherwise noted)

Parameter	From (Input)	To (Output)	-40°C to 125°C								Unit
			V _{CC} =1.8 V ± 0.15 V		V _{CC} =2.5 V ± 0.2 V		V _{CC} =3.3 V ± 0.3 V		V _{CC} =5 V ± 0.5 V		
			Min	Max	Min	Max	Min	Max	Min	Max	
tpd	A or B or C	Y	2.9	20	1.4	7.8	1.3	6.2	1	4.6	ns

Operating Characteristics

T_A=25°C

	Parameter	Test Conditions	V _{CC} =1.8 V	V _{CC} =2.5 V	V _{CC} =3.3 V	V _{CC} =5 V	Unit
			Typ	Typ	Typ	Typ	
Cpd	Power Dissipation Capacitance	f=10 MHz	18	19	20	23	pF

8 Typical Characteristics

Over recommended operating free-air temperature range, CL=30 pF or 50 pF (unless otherwise noted)

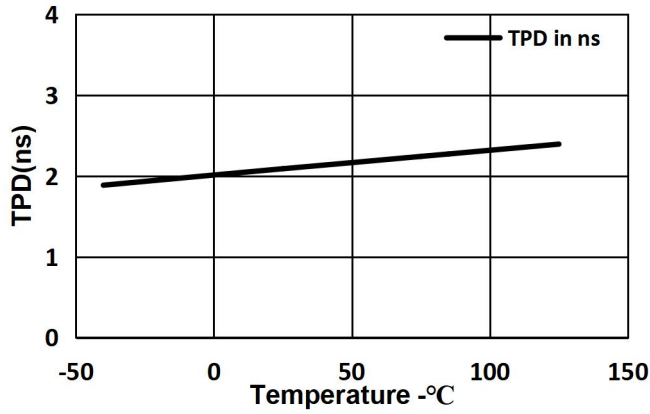


Fig.8-1. T_{PD} Across Temperature at 3.3 V V_{CC}

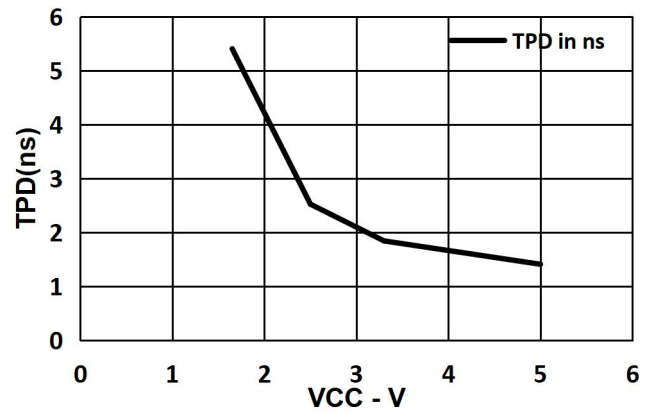
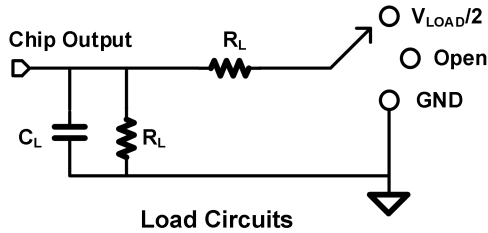


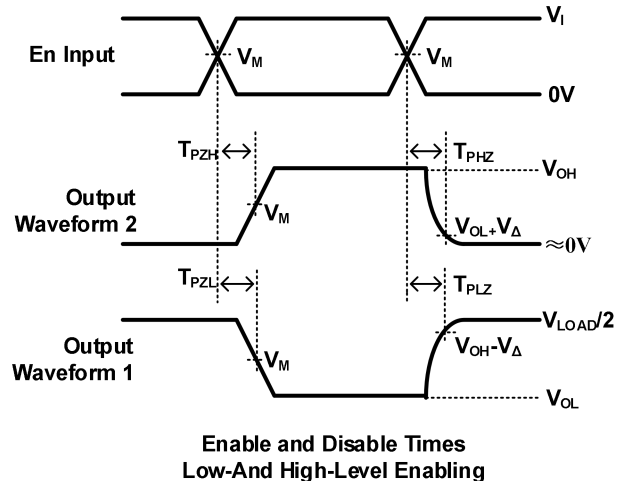
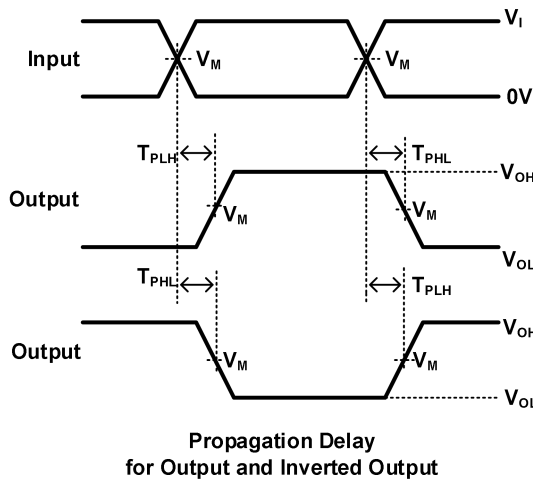
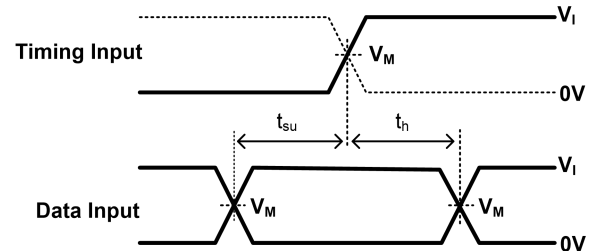
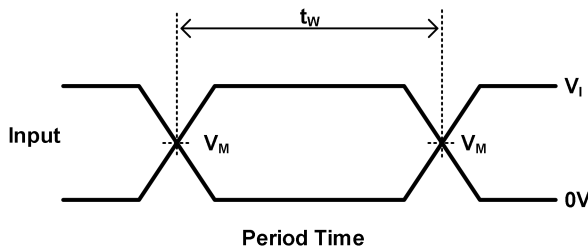
Fig.8-2. T_{PD} Across V_{CC} at 25°C

9 Parameter Measurement Information



TEST	S1
T_{PHL}/T_{PLH}	OPEN
T_{PLZ}/T_{PZL}	V_{LOAD}
T_{PHZ}/T_{PZH}	GND

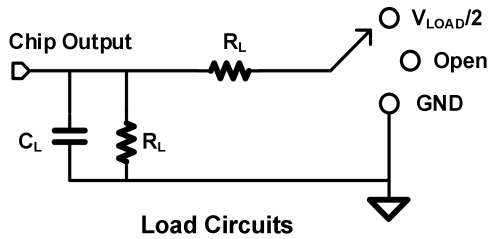
V_{CC}	INPUTS		V_M	V_{LOAD}	C_L	R_L	V_{Δ}
	V_i	T_r/T_f					
$1.8V \pm 0.15V$	V_{CC}	$\leq 2ns$	$V_{CC}/2$	$2 \times V_{CC}$	15pF	1M Ω	0.15V
$2.5V \pm 0.15V$	V_{CC}	$\leq 2ns$	$V_{CC}/2$	$2 \times V_{CC}$	15pF	1M Ω	0.15V
$3.3V \pm 0.15V$	3V	$\leq 2.5ns$	1.5V	6V	15pF	1M Ω	0.3V
$5V \pm 0.15V$	V_{CC}	$\leq 2.5ns$	$V_{CC}/2$	$2 \times V_{CC}$	15pF	1M Ω	0.3V



Notes: A. C includes probe and jig capacitance.
 B. Waveform 1 is for an output with internal conditions such that the output is low, except when disabled by the output control. Waveform 2 is for an output with internal conditions such that the output is high, except when disabled by the output control.
 C. All input pulses are supplied by generators having the following characteristics: PRR 10 MHz, Z=50.

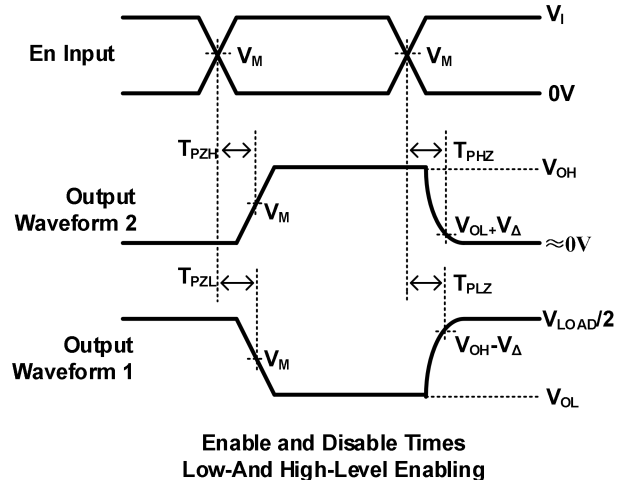
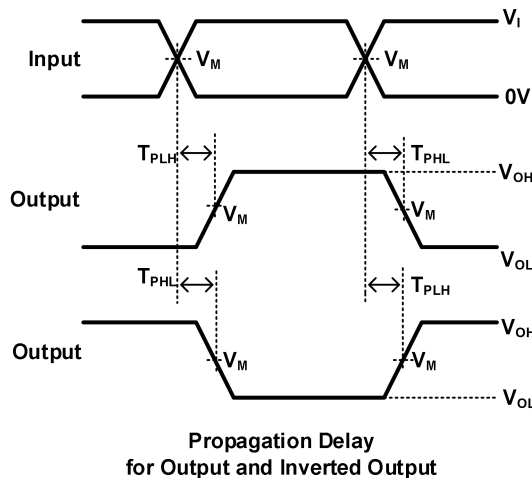
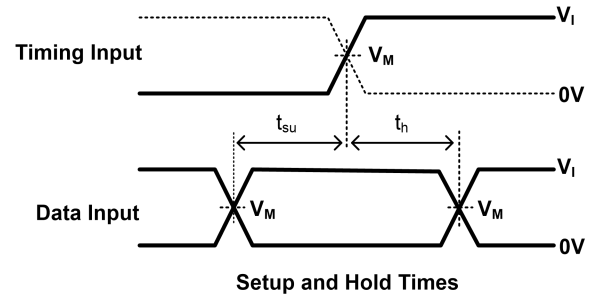
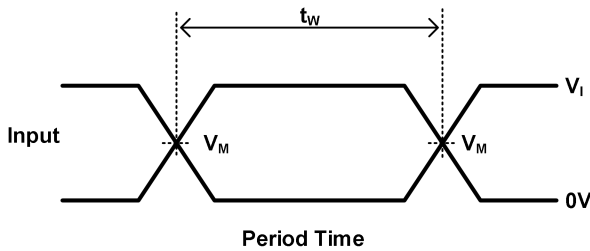
D. The outputs are measured one at a time, with one transition per measurement.
 E. t_{PLZ} and t_{PHZ} are the same as t_{dis} .
 F. t_{PZL} and t_{PZH} are the same as t_{en} .
 G. t_{PLH} and t_{PHL} are the same as t_{pd} .
 H. All parameters and waveforms are not applicable to all device.

9 Parameter Measurement Information (Continued)



TEST	S1
T _{PHL} /T _{PLH}	OPEN
T _{PLZ} /T _{PZL}	V _{LOAD}
T _{PHZ} /T _{PZH}	GND

V _{CC}	INPUTS		V _M	V _{LOAD}	C _L	R _L	V _Δ
	V _i	T _r /T _f					
1.8V±0.15V	V _{CC}	≤2ns	V _{CC} /2	2×V _{CC}	30pF	1kΩ	0.15V
2.5V±0.15V	V _{CC}	≤2ns	V _{CC} /2	2×V _{CC}	30pF	500Ω	0.15V
3.3V±0.15V	3V	≤2.5ns	1.5V	6V	50pF	500Ω	0.3V
5V±0.15V	V _{CC}	≤2.5ns	V _{CC} /2	2×V _{CC}	50pF	500Ω	0.3V



Notes:A. C includes probe and jig capacitance.

B. Waveform 1 is for an output with internal conditions such that the output is low, except when disabled by the output control. Waveform 2 is for an output with internal conditions such that the output is high, except when disabled by the output control.

C. All input pulses are supplied by generators having the following characteristics: PRR 10 MHz, Z=50.

D. The outputs are measured one at a time, with one transition per measurement.

E. t_{PLZ} and t_{PZH} are the same as t_{dis}.

F. t_{PZL} and t_{PZH} are the same as t_{en}.

G. t_{PLH} and t_{PHL} are the same as t_{pd}.

H. All parameters and waveforms are not applicable to all device.

10 Detailed Description

10.1 Overview

This 3-input AND gate is designed for 1.65-V to 5.5-V V_{CC} operation. The GT74LVC1G11 device features a three-input AND gate. The output state is determined by eight patterns of 3-bit input. All inputs can be connected to V_{CC} or GND. This device is fully specified for partial-power-down applications using I_{off} . The I_{off} circuitry disables the outputs, preventing damaging current backflow through the device when it is powered down.

10.2 Functional Block Diagram

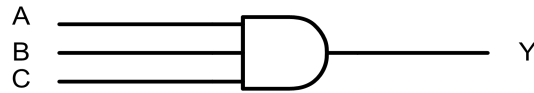


Fig.10-1.Functional Block Diagram

10.3 Feature Description

- Wide operating voltage range.
- Operates from 1.65 V to 5.5 V.
- Allows down voltage translation.
- Inputs accept voltages to 5.5 V.
- I_{off} feature allows voltages on the inputs and outputs, when V_{CC} is 0 V.

10.4 Device Functional Modes

Input			Output
A	B	C	Y
H	H	H	H
L	X	X	L
X	L	X	L
X	X	L	L

11 Application note

11.1 Application Information

The GT74LVC1G11 device offers logical AND configuration for many design applications. This example describes basic power sequencing using the AND gate configuration. Power sequencing is often used in applications that require a processor or other delicate device with specific voltage timing requirements in order to protect the device from malfunctioning. In the application below, the power-good signals from the supplies tell the MCU to continue an operation.

11.2 Typical Application

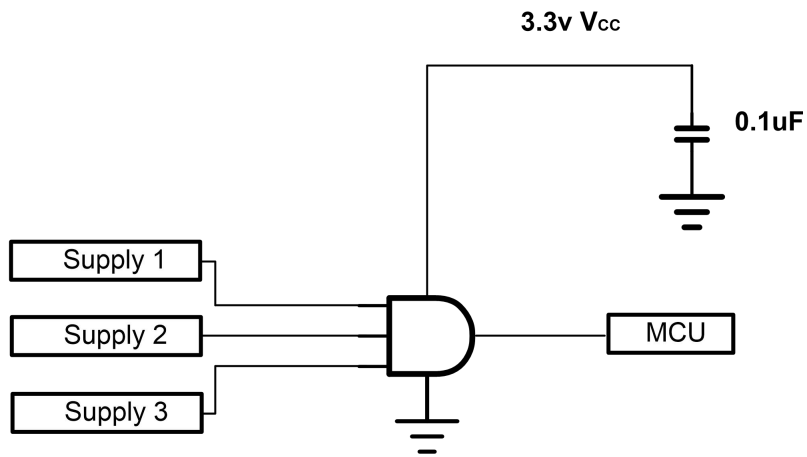
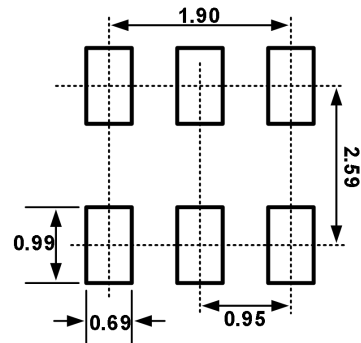
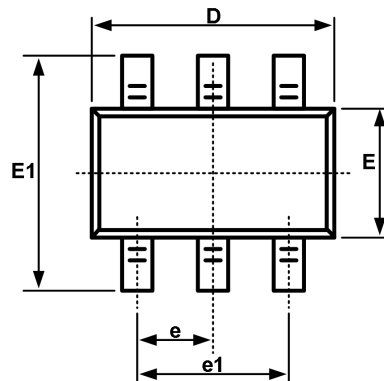


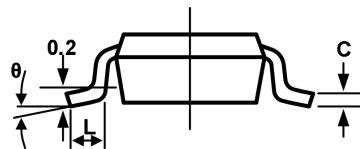
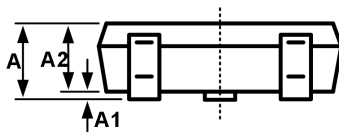
Fig.11-1. Typical Application Diagram

12 Package Outline Dimension

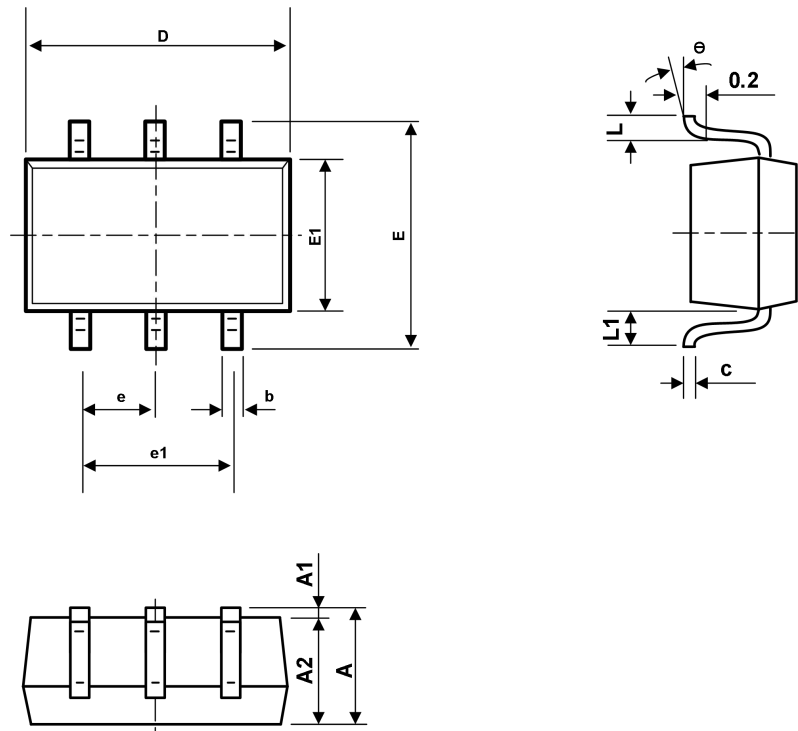
SOT23-6



Recommended Land Pattern (Unit: mm)

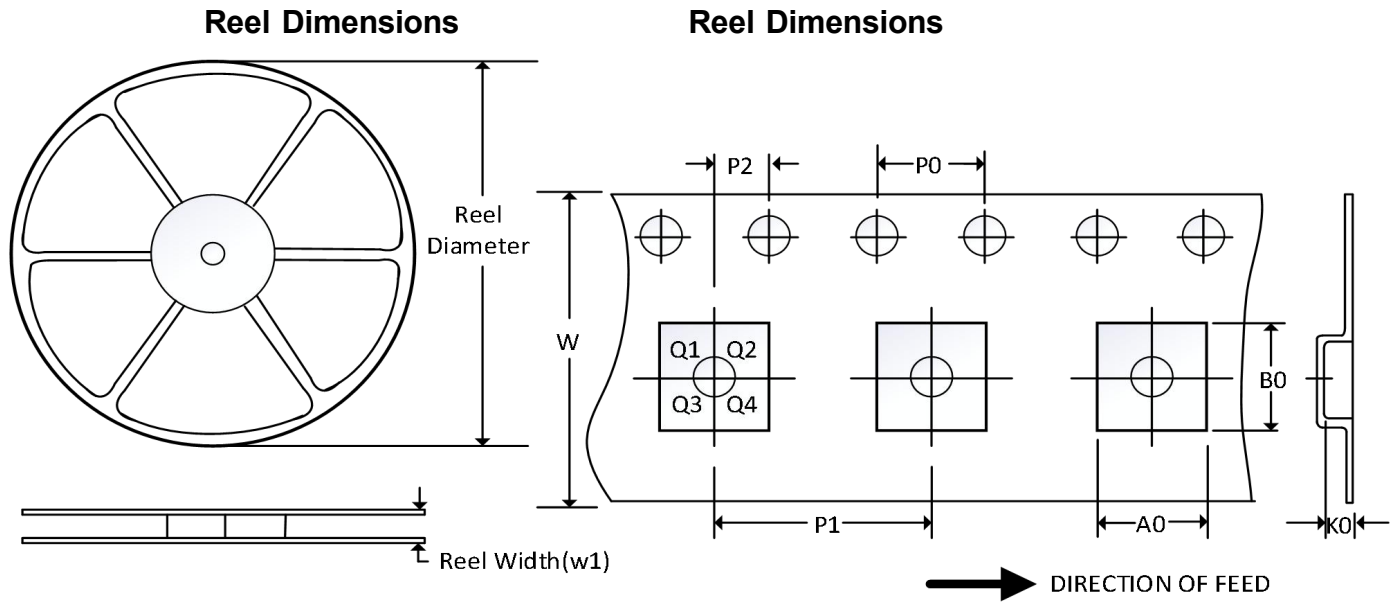


Symbol	Dimensions In Millimeters		Dimensions In Inches	
	Min	Max	Min	Max
A	1.050	1.250	0.041	0.049
A1	0.000	0.100	0.000	0.004
A2	1.050	1.150	0.041	0.045
b	0.300	0.500	0.012	0.020
c	0.100	0.200	0.004	0.008
D	2.820	3.020	0.111	0.119
E	1.500	1.700	0.059	0.067
E1	2.650	2.950	0.104	0.116
e	0.950BSC		0.037BSC	
e1	1.800	2.000	0.071	0.079
L	0.300	0.600	0.012	0.024
theta	0°	8°	0°	8°

12 Package Outline Dimension(continued)
SC70-6


Symbol	Dimension In Millimeters		Dimensions In Inches	
	Min	Max	Min	Max
A	0.900	1.100	0.035	0.043
A1	0.000	0.100	0.000	0.004
A2	0.900	1.000	0.035	0.039
b	0.150	0.350	0.006	0.014
c	0.110	0.175	0.004	0.007
D	2.000	2.200	0.079	0.087
E	2.150	2.450	0.085	0.096
E1	1.150	1.350	0.045	0.053
e	0.650TYP		0.026TYP	
e1	1.200	1.400	0.047	0.055
L	0.260	0.460	0.010	0.018
L1	0.525REF		0.021REF	
e	0°	8°	0°	8°

13 Tape and Reel Information



NOTE: The picture is only for reference. Please make the object as the standard.

Key Parameter List of Tape and Reel

Package Type	Reel Diameter	Reel Width(mm)	A0 (mm)	B0 (mm)	K0 (mm)	P0 (mm)	P1 (mm)	P2 (mm)	W (mm)	Pin1 Quadrant
SOT23-6	7"	9.5	3.17	3.23	1.37	4.0	4.0	2.0	8.0	Q3
SC70-6	7"	9.5	2.40	2.50	1.20	4.0	4.0	2.0	8.0	Q3

NOTE:

1. All dimensions are nominal.
2. Plastic or metal protrusions of 0.15mm maximum per side are not included.