

1-Line Bidirectional ESD Protection Diode

General description

These surge protection diodes are designed for applications requiring transient overvoltage protection capability. They are intended for use in voltage and ESD sensitive equipment such as computers, printers, business machines, communication systems, medical equipment and other applications. These devices are ideal for situations where board space is at a premium.

Features and benefits

- . Bidirectional ESD protection of one line
- . Reverse stand-off voltage: 12.0V Max
- . Low leakage current: nA Level
- . Response time is typically < 1 ns
- . IEC61000-4-2 Level 4 ESD Protection
- . RoHS compliant


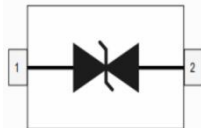
Application information

- . Cell Phone Handsets and Accessories
- . Microprocessor based equipment
- . Personal Digital Assistants (PDA's)
- . Notebooks, Desktops, and Servers

Ordering information

Device	Package	Marking	Packaging
SD12CB	SOD323	AD	3000/Tape & Reel

Schematic & Pin configuration

Simplified outline	Graphic symbol
	

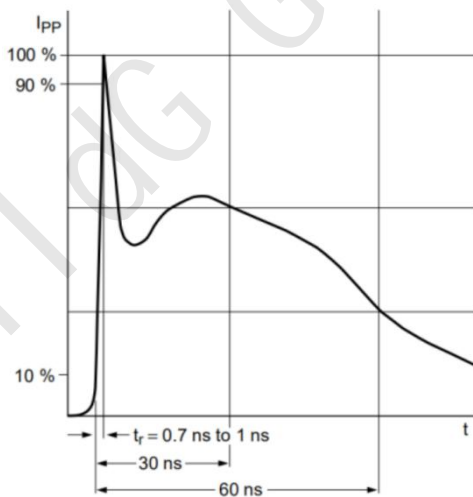
Maximum Ratings ($T_{OP} = 25 \text{ } ^\circ\text{C}$, unless otherwise specified)

Parameter	Symbol	Value	Unit
Peak Pulse Power ($t_p = 8/20 \text{ } \mu\text{s}$)	P_{PPM}	160	W
Peak Pulse Current($t_p = 8/20 \text{ } \mu\text{s}$)	I_{PPM}	9	A
ESD voltage IEC 61000-4-2 (air discharge)	V_{ESD}	30	kV
ESD voltage IEC 61000-4-2 (contact discharge)	V_{ESD}	30	kV
Maximum lead temperature for soldering during 10s	T_L	260	$^\circ\text{C}$
Storage Temperature Range	T_{stg}	-55 to +150	$^\circ\text{C}$
Operating Temperature Range	T_{OP}	-40 to +125	$^\circ\text{C}$

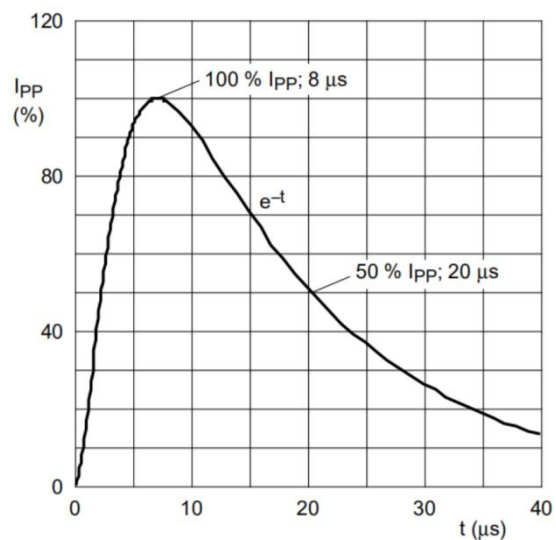
Electrical Characteristics ($T_{OP} = 25 \text{ } ^\circ\text{C}$, unless otherwise specified)

Parameter	Symbol	Min	Typ	Max	Unit	Condition
Reverse Working Voltage	V_{RWM}	--	--	12.0	V	
Breakdown Voltage	V_{BR}	13.5	--	16.5	V	$I_f=1\text{mA}$
Leakage Current I_{Leak}	I_R	--	--	100	nA	$V_{RWM}=12\text{V}$
Clamping Voltage	V_C	--	--	18.0	V	$I_{PP}=9\text{A}, T_p=8/20\mu\text{s}$
Junction Capacitance	C_J	--	7.5	8.0	pF	$V_R=0\text{V}, f=1\text{MHz}$

Typical Characteristics



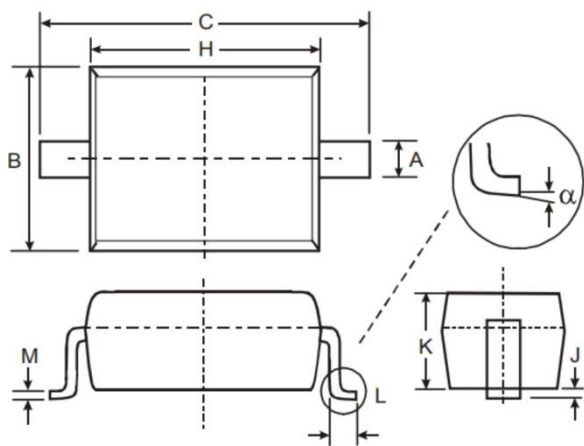
IEC61000-4-2 Waveform



IEC 61000-4-5 Waveform(8/20μs pulse)

Package Outline Dimensions

SOD323



SYMBOL	MILLIMETERS	
	MIN	MAX
A	0.25	0.35
B	1.20	1.40
C	2.40	2.70
H	1.60	1.80
J	0.01	0.15
K	0.80	1.00
L	0.20	0.40
M	0.08	0.15
“	0°	8°