



常州市凯丽金电子有限公司---微型贴片电声元器件专业生产商
 KELIKING ELECTRONIC-----Micro acoustical device & piezo ceramic manufacturer

SPECIFICATION FOR APPROVAL

承 認 書

Description : Earphone Speaker
 Part No : KLJ-0645R16W3mW
 Customer's Model No :
 Specification No : KLJ-0645R16W3mW
 Number Of The Edidion : 3.1

CUSTOMER'S APPROVED SIGNATURE		



常州市凯丽金电子有限公司
 KELIKING ELECTRONICS CO., LTD,

公司地址: 常州市天宁区恒生科技园 1-1301, Company ADD: Hengsheng1-1301
 Science Park,Tianning District,Changzhou City 工厂地址:常州市天宁区三河口东塘路 1-1
 号,Factory:Dongtang Road NO.1-1 sanhekou Tianning District Changzhou City
 电话: 86-519-88671999-801, Tel: +86-519-88671999-801 传真: +86-519-
 88671999-808, Fax: 86-519-88671999-808 网址: www.kailijin.cn (CN)
www.keliking.com(EN) Http:www.kailijin.cn(CN) www.keliking.com(EN) 邮箱:
jimmy@keliking.com E-mail:jimmy@keliking.com 手机: +86-13656128000 MOB:+86-
 13656128000

Approved by	Checked by	Lssued by



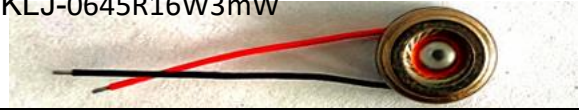
常州市凯丽金电子有限公司---微型贴片电声元器件专业生产商

KELIKING ELECTRONIC-----Micro acoustical device & piezo ceramic manufacturer

A.SCOPE 範疇

This specification applies Earphone Speaker KLJ-0645R16W3mW

A. SPECIFICATION 规格



Parameter	Conditions/Description	Values	Uni
Rated Input Power		3	mW
Max Input Power		5	mW
Rated Impedance	at 1.0K Hz, 1mw input	16±15%	Ω
Sound Pressure Level (S.P.L.)	At 0.1m 50Hz-200Hz 201Hz-999Hz 1KHz 126mV with IEC711	103±3	dB
Resonant requency (Fo)	in free air	600±20%	Hz
Frequency Range		Fo~20K	Hz
Distortion	At 100Hz-10KHz At 126mV 711/EAR	≤3%	-
Magnet	NdFeB		
Buzz, Rattle, etc.	must be normal at sine wave between Fo ~ 20 kHz, in free air	0.22	V
	must be normal at sine wave between Fo ~ 20 kHz, in 1CC BOX	0.26	V
Polarity	cone will move forward with positive dc current to "+" terminal		
Weight		0.5	g
Operating Temperature		-20~+70	°C
Waterproof		NA	

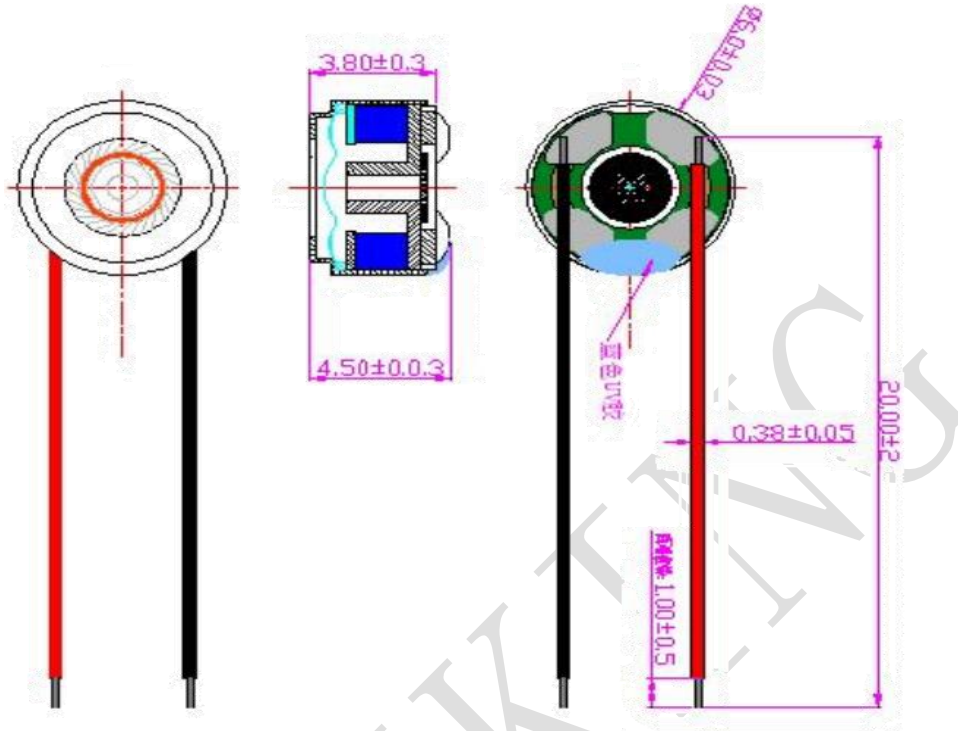
Notes: 1、 Electrical performance can be adjusted according to user requirements

(材料及电性能可以按客户要求来定制)

2、 Above Measuring condition under temperature : 15~35°C R.H. 25~75%.

Accordig to standard GB/T9396-1996

B. APPEARANCE DRAWING 外觀尺寸图



Tolerance general unless otherwise specified: $\pm 0.5\text{mm}$ unit: mm

CONSTRUCTION DETAIL

PART NO.	PART NAME	Q' TY	MATERIAL	REMARK
1	Diaphragm	1	Peek	$\Phi 5.75$
2	VOICE COIL	1	COPPER WIRE	$\Phi 16$ 欧
3	Plate	1	SPCC	$\Phi 5.75$
4	Magnet	1	NdFeB	N42
5	Frame	1	Plastic	$\Phi 6.0$

C. RESPONSE CURVES

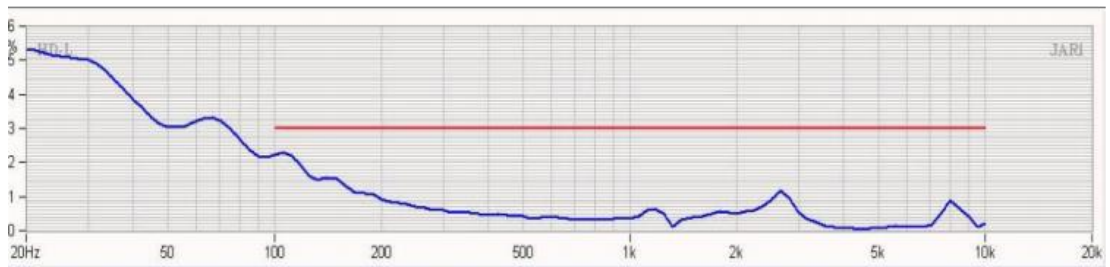
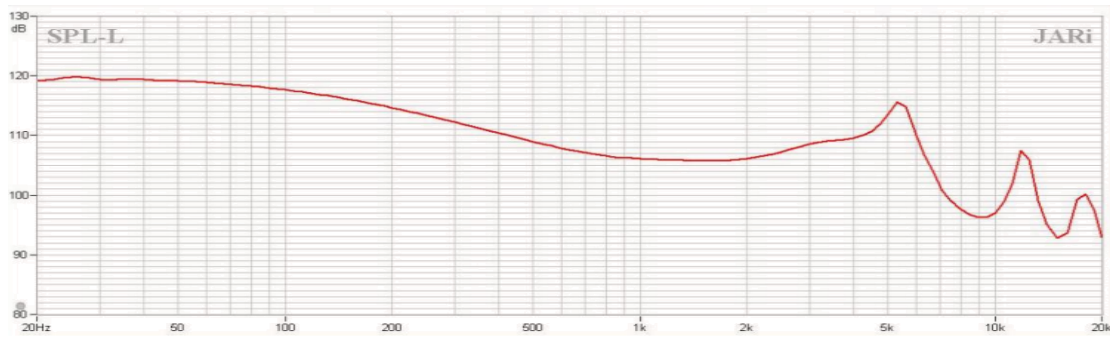
Frequency Response Curve

Test condition: 1.0W/0.1M,(1CC), Total Harmonic Distortion Curve



常州市凯丽金电子有限公司---微型贴片电声元器件专业生产商

KELIKING ELECTRONIC-----Micro acoustical device & piezo ceramic manufacturer



F(Hz)	100Hz	1000Hz	3000Hz	5000Hz	10000Hz
Limited	≅ 3.0%	≅ 3.0%	≅ 3.0%	≅ 3.0%	≅ 3.0%

D. RELIABILITY TEST

1	Reliability Test	After any following test, parts should conform to original performance within
2	Long-term power test	rated Input rated power pink noise to the speaker, low temperature (-20±2°) for
3	Short-term power test	maximum Room temperature 25°C Input 1sec Max power pink noise to the speaker, idle for 59sec, cycling 30times. 102 / 5000
4	Voice coil destructive test	(I) Room temperature 25°C Input Max power DC signal for 30sec.5Pcs for normal connection(Power+→Speaker+, Power-→Speaker-) 5Pcs for inverse connection(Power+→Speaker-, Power-→Speaker+) (II) Input Max power sweep signal to the speaker. Sweep frequency
5	Long-term temperature test	cycling Input rated power pink noise to the speaker Temperature range: -20°C~60°C Temperature change rate is 5~10°C/min, 15min at -20°C and 60°C, cycling 50 times.
6	Long-term temperature and high humidity test	high Input rated power pink noise to the speaker Temperature 60°C, humidity 90%RH for 72hrs.
7	Salt mist test	Salt mist concentration: 5% NaCl PH: 6.5~7.2 solution, which was continuously sprayed at 35 ° C for 48 hours

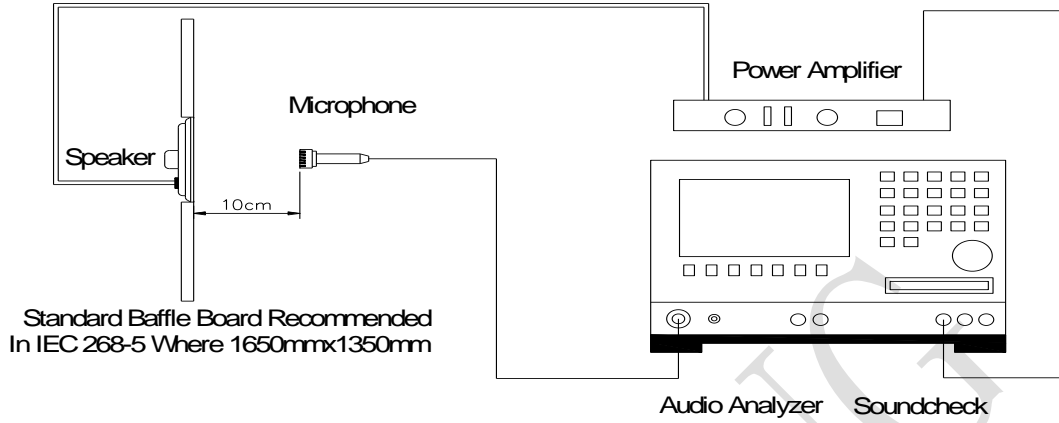
E.TESTING METHOD



常州市凯丽金电子有限公司---微型贴片电声元器件专业生产商

KELIKING ELECTRONIC-----Micro acoustical device & piezo ceramic manufacturer

Standard test condition of speaker



E. Recommend Driving Circuit



G. PACKING STANDARD

units: cm

地址：常州市天宁区恒生科技园 1-1301 电话：0519-88671999 网址：www.kailijin.cn www.keliking.com



常州市凯丽金电子有限公司---微型贴片电声元器件专业生产商

KELIKING ELECTRONIC-----Micro acoustical device & piezo ceramic manufacturer

Remark:

100pcs per tray

20 trays for unit, 1units per carton

Total:2000 pcs per box

Size:41*25*34cm

