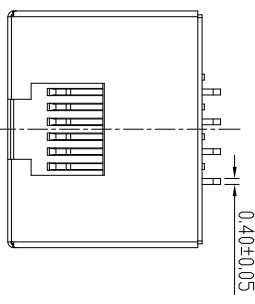


CATEGORY	DESCRIPTION	P/N #
CONNECTOR	RJ45 8P8C D117型反口沉板H=5.33带灯	MJ88M-XX11-HLXRD1X-X

REV.	ECN NO	DESCRIPTION	REVISED	DATE
A02		增加主体颜色选项	YST	2019.12.12
A03		增加LED灯选项	YST	2020.02.27
A04		增加LED灯电性参数	YST	2020.06.09
A05		增加颜色选项	LXY	2021.03.26

REV.	ECN NO	DESCRIPTION	REVISED	DATE
A02		增加主体颜色选项	YST	2019.12.12
A03		增加LED灯选项	YST	2020.02.27
A04		增加LED灯电性参数	YST	2020.06.09
A05		增加颜色选项	LXY	2021.03.26



MJ88M-XX11-HLXRD1X-X

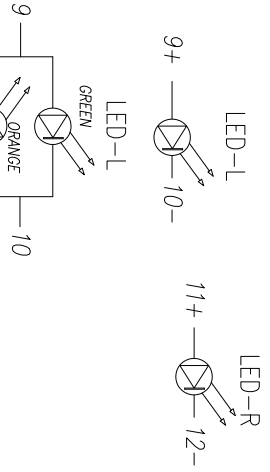
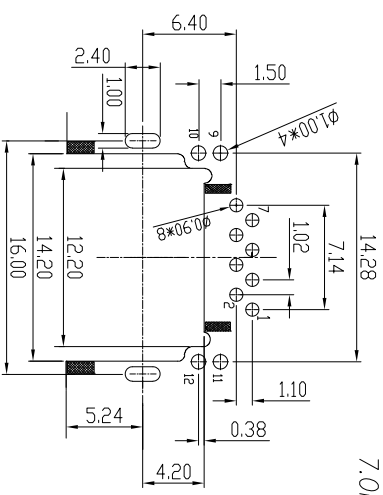
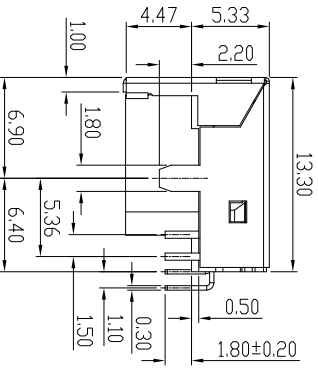
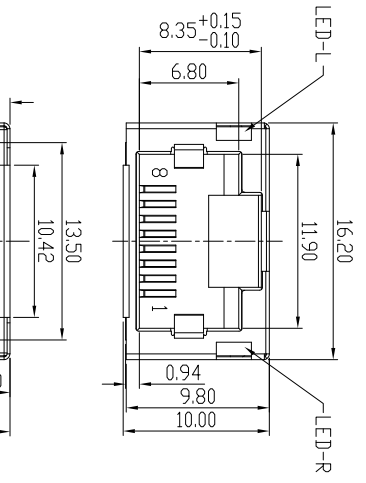
X	Color	Material
B	BLACK	LCP
U	BLUE 300C	
G	GARY	
Y	YELLOW 114C	PA8T

X	Terminal Plating
0	Au 1u" Plating
1	Au 3u" Plating
2	Au 6u" Plating
3	Au 15u" Plating
4	Au 30u" Plating

X	SHELL
B	BRASS
G	SUS 304

X	LED-L	LED-R
1	GREEN	YELLOW
2	YELLOW	GREEN
4	GREEN/YELLOW	YELLOW

X	包装方式
C	卷带包装
P	吸塑盒包装



Standard LED Color	LED Wavelength	Forward(A)	Forward(V)
GREEN	569nm	20mA	1.6-2.6V
YELLOW	590nm	20mA	1.8-2.5V

**东莞市合陵电子有限公司**  
DongGuan Heling Electronic Co.,LTD

Connector

SCALE:1/1	UNIT: mm	DWG.NO:
SIZE: A3	PAGE:1 OF 1	REV:A05
APPROVED BY	CHECKED BY	PREPARED BY
DICK	XSY	LXY

NO.	PART NAME	QTY	MATERIAL	PLATING & COLOR	Remark
e	LED-R	1	SEE TABLE	Tin PLATING	
d	LED-L	1	SEE TABLE	Tin PLATING	
c	SHELL	1	BRASS/SUS 304	NI PLATING	
b	TERMINAL	8	PHOSPHOR BRONZE	Au/Tin PLATING	
a	HOUSING	1	See Table 1		

UNLESS OTHERWISE SPECIFIED TOLERANCES	DECIMALS:	ANGLES:
	X.X :±0.30	X :±2
	X.XX :±0.20	X.X :±1*
	X.XXX :±0.10	

CUSTOMER COPY