

DVI Connector

SPECIFICATIONS

Mechanical

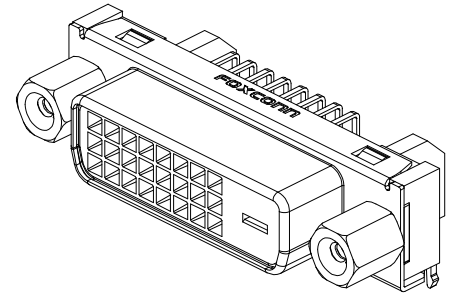
Contact Retention Force: 0.50kg (1.10Lb) max.
Mating Force: 4.50kgf (9.92Lb) max. (DVI)
Unmating Force: 1.00~4.00kg (2.20~8.82Lb) min. (DVI)

Electrical

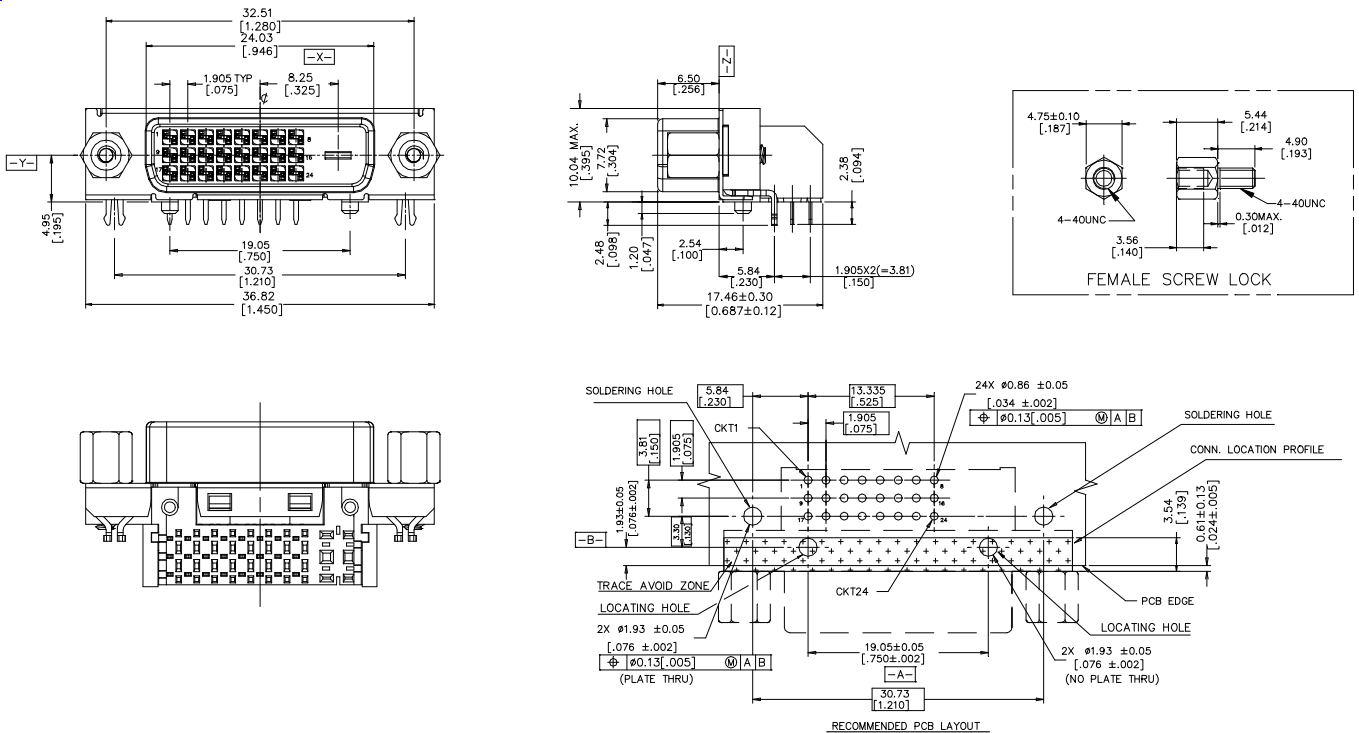
Voltage Rating: 40V (RMS)
Current Rating: 1.50A
Contact Resistance: 30mΩ max.
Dielectric Withstanding Voltage: 500V AC/1min min.
Insulation Resistance: 1000MΩ min.

Physical

Housing: Thermoplastic, UL 94V-0 rated in Ivory Color
Contact: Copper alloy
Plating: See "ORDERING INFORMATION"
Operating Temperature: -20°C to +85°C



DRAWING



ORDERING INFORMATION

PRODUCT NO.: QH 1 1 12 1 - DBT1 - 4F

