

- ALL DIMENSIONS ARE IN MILLIMETERS.
- DIMENSIONING AND TOLERANCING PER ASME Y14.5M-1994.

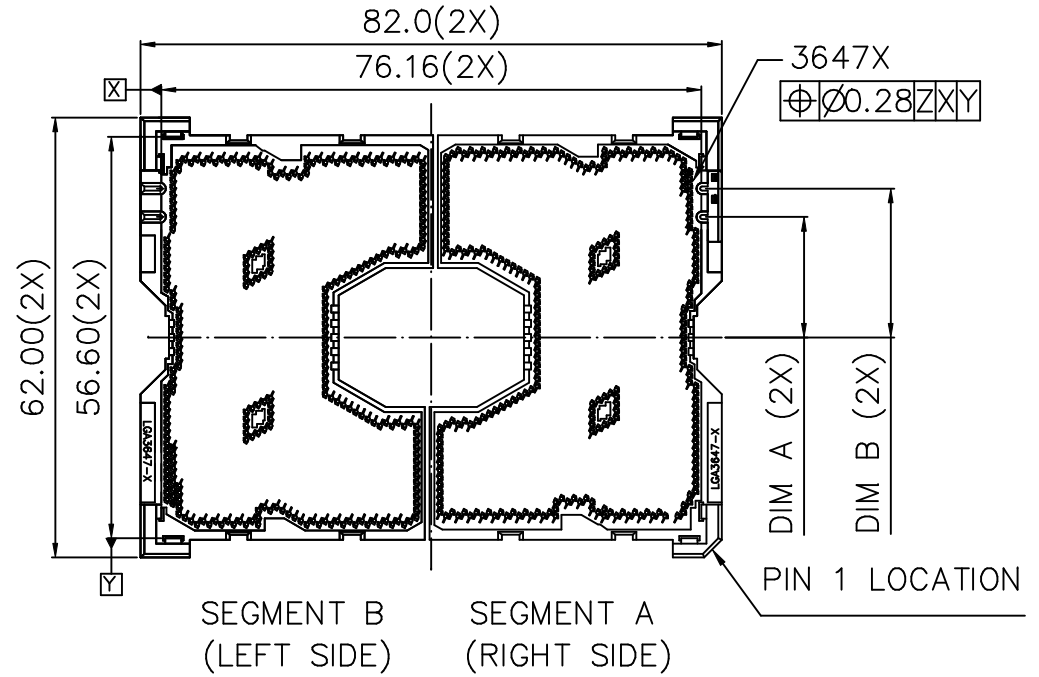
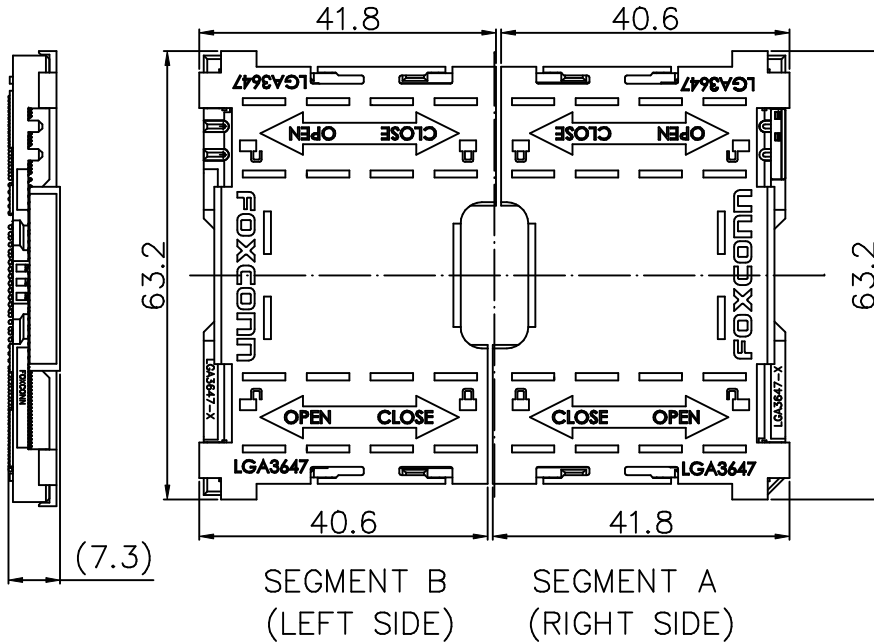
3. MATERIAL:

HOUSING: THERMOPLASTIC,UL94V-0,COLOR BLACK.
 CONTACT: COPPER ALLOY
 SOLDER BALL: LEAD FREE 0.60MM DIAMETER
 PICKUP CAP: THERMOPLASTIC,UL94V-0,COLOR BLACK.
 ALIGNMENT KEY: THERMOPLASTIC,UL94V-0
 PLATING: 15u" Min or 30u" Min. Au PLATED ON CONTACT AREA
 50u" Min. Ni PLATED OVER WHOLE CONTACT

4. CONTACT LOADED HEIGHT: 2.70±0.20 MM AFTER REFLOW PROCESS.

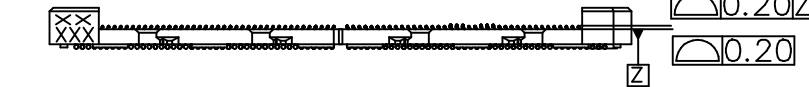
- DATE CODE POSITION.
- FOXCONN LOGO POSITION.
- "LGA3647-X" NAME POSITION.WHERE "X" DENOTES THE SPECIFIC SOCKET KEYING.
- HARMFUL MATERIAL CONTROL PLEASE FOLLOW DOC. NO. "EPI12".
- THE CONCENTRATIONS OF Br AND Cl CAN SATISFY THE REQUIREMENT OF HALOGEN-FREE IN DOCUMENT "EPI12".
- PLEASE CONTACT FOXCONN SALES REPRESENTATIVE TO VERIFY PRODUCT DETAIL AND AVAILABILITY.

| REV. | ECN. NO. | APPD. |
|------|---------------|----------|
| A | BC-15-0052650 | S. Szu |
| B | BC-16-0029673 | Nick Lin |
| C | BC-16-0053386 | Nick Lin |
| D | BC-17-0021125 | Nick Lin |
| E | BC-18-0005286 | Nick Lin |



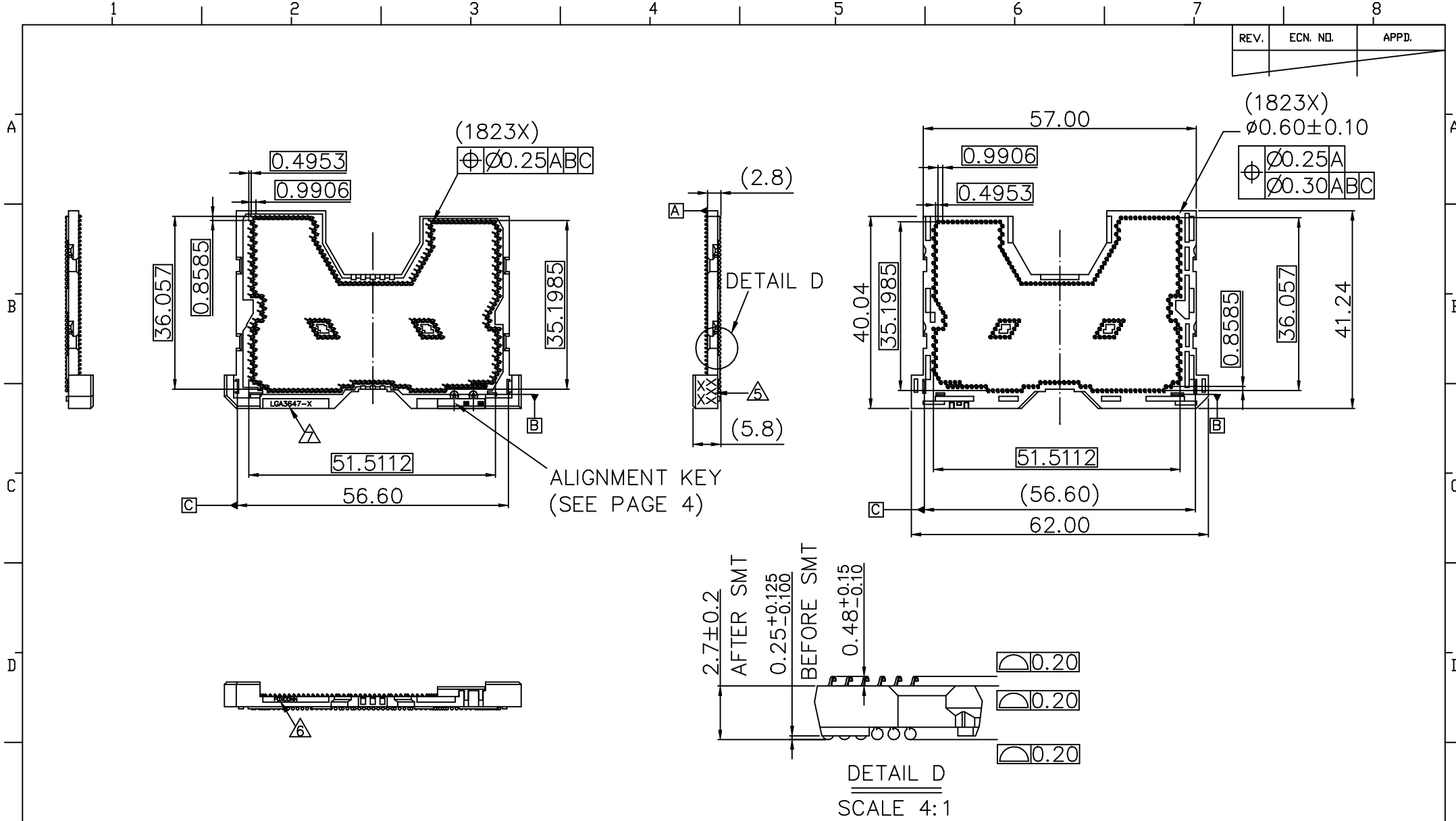
CONFIGURATION FOR SOCKET P1

| SOCKET | SEG. PART NUMBER | REMARK | KEY COLOR | DIM A | DIM B | KEY TYPE |
|-----------|------------------|-----------------------|-----------|-------|-------|----------|
| SOCKET P3 | PE36473-31NK2-1H | P3 SEGMENT B (30u"Au) | BLACK | 20 | 21 | TYPE2 |
| | PE36473-31NK1-1H | P3 SEGMENT A (30u"Au) | PURPLE | | | |
| SOCKET P2 | PE36473-21NK2-1H | P2 SEGMENT B (30u"Au) | BLACK | 17 | 18 | TYPE2 |
| | PE36473-21NK1-1H | P2 SEGMENT A (30u"Au) | BLUE | | | |
| SOCKET P1 | PE36473-11NK4-1H | P1 SEGMENT B (30u"Au) | BLACK | 17 | 21 | TYPE 1 |
| | PE36473-11NK3-1H | P1 SEGMENT A (30u"Au) | WHITE | | | |
| | PE36477-11NK2-1H | P1 SEGMENT B (15u"Au) | BLACK | | | |
| | PE36477-11NK1-1H | P1 SEGMENT A (15u"Au) | WHITE | | | |
| SOCKET P0 | PE36473-01NK4-1H | P0 SEGMENT B (30u"Au) | BLACK | 16 | NA | TYPE 1 |
| | PE36473-01NK3-1H | P0 SEGMENT A (30u"Au) | YELLOW | | | |
| | PE36477-01NK2-1H | P0 SEGMENT B (15u"Au) | BLACK | | | |
| | PE36477-01NK1-1H | P0 SEGMENT A (15u"Au) | YELLOW | | | |



| X.± 3 | X.± 1* | UNITS mm | NAME(INTENDED USE) | FOXCONN INTERCONNECT TECHNOLOGY LIMITED. |
|---|--------|----------|-------------------------|---|
| .X± 0.25 | .X± | MAT'L | LGA3647 SOCKET | |
| .XX± 0.10 | .XX± | | PART NO.(INTENDED USE) | CLASS: <input type="checkbox"/> CONFIDENTIAL <input type="checkbox"/> SECRET <input checked="" type="checkbox"/> GENERAL |
| .XXX± | .XXX± | | FINISH | PE3647*-*****-1H |
| THESE DRAWINGS AND SPECIFICATIONS ARE THE PROPERTY OF FOXCONN INTERCONNECT TECHNOLOGY LIMITED,AND SHALL NOT BE REPRODUCED, COPIED OR USED IN ANY MANNER WITHOUT THE PRIOR WRITTEN CONSENT OF FOXCONN INTERCONNECT TECHNOLOGY LIMITED. | | | APPD: Nick Lin | TITLE: FOR LGA3647 SOCKET |
| | | | Q'TY | DWG NO.: 351-0000-1318 |
| | | | CHKD: Mac Peng | SCALE SHEET REV. |
| | | | DRAW: Gohan Wu 01/24'18 | 1:1 1/6 E |

| | | |
|------|----------|-------|
| REV. | ECN. NO. | APPD. |
| | | |

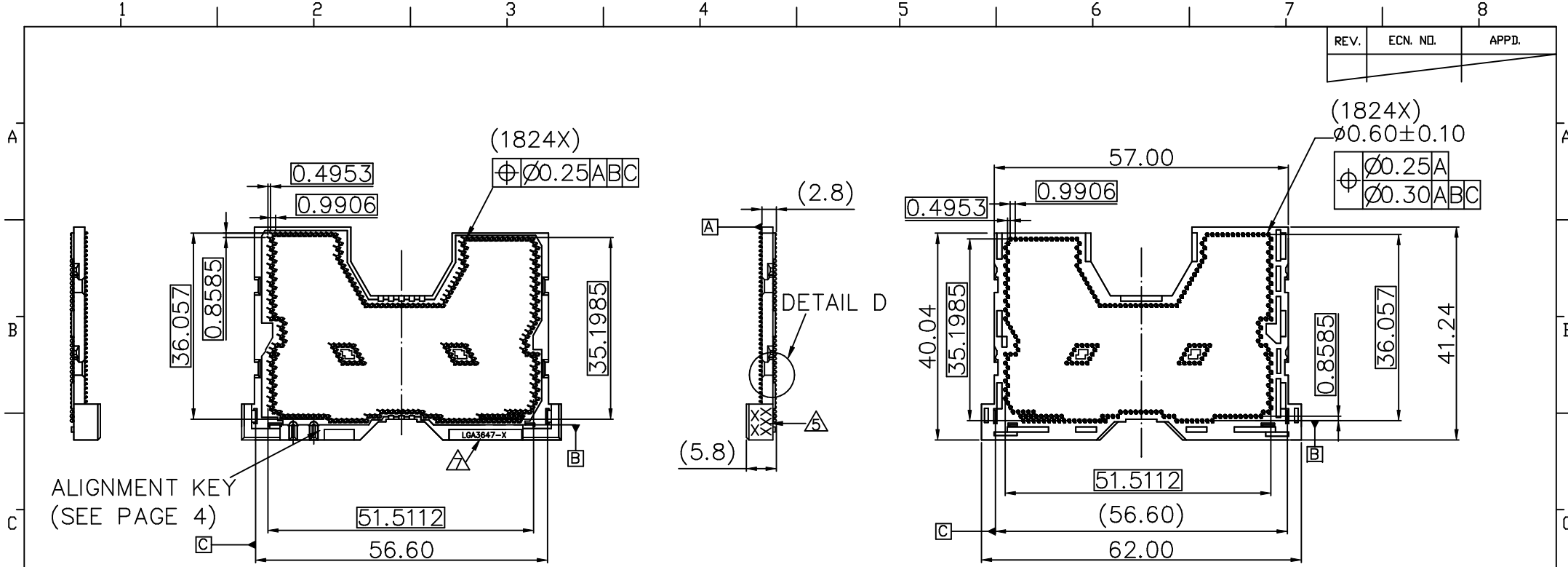


DETAIL D
SCALE 4:1

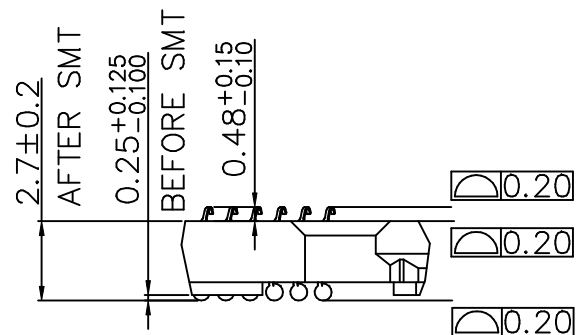
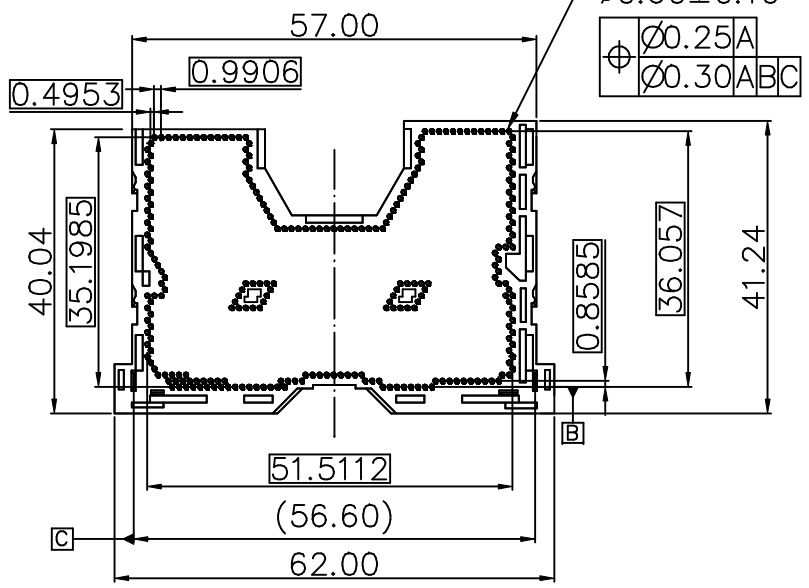
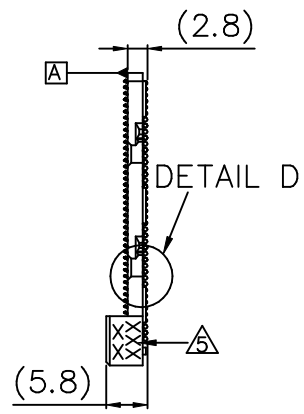
| | | |
|--------------|------------------|-----------------|
| P3 SEGMENT A | PE36473-31NK1-1H | 30u" Au |
| P2 SEGMENT A | PE36473-21NK1-1H | 30u" Au |
| | PE36473-11NK3-1H | 30u" Au |
| P1 SEGMENT A | PE36477-11NK1-1H | 15u" Au |
| | PE36473-01NK3-1H | 30u" Au |
| P0 SEGMENT A | PE36477-01NK1-1H | 15u" Au |
| DESCRIPTION | PART NUMBER | CONTACT PLATING |

| | | | | | | | | | | |
|--|--------|----------|---|--|---------------------------|-------|------|-----|-----|---|
| X.± 3 | X.± 1' | UNITS mm | NAME (INTENDED USE) LGA3647 SOCKET | FOXCONN INTERCONNECT TECHNOLOGY LIMITED. | | | | | | |
| .X± 0.25 | .X'± | MAT'L | PART NO. (INTENDED USE) PE3647*-*****-1H | | | | | | | |
| .XX± 0.10 | .XX'± | | APPD: Nick Lin | CLASS: <input type="checkbox"/> CONFIDENTIAL <input type="checkbox"/> SECRET <input checked="" type="checkbox"/> GENERAL CUSTOMER DRAWING TITLE: FOR LGA3647 SOCKET | | | | | | |
| .XXX± | .XXX'± | | FINISH | CHKD: Mac Peng | DWG NO.: 351-0000-1318 | | | | | |
| THESE DRAWINGS AND SPECIFICATIONS ARE THE PROPERTY OF FOXCONN INTERCONNECT TECHNOLOGY LIMITED, AND SHALL NOT BE REPRODUCED, COPIED OR USED IN ANY MANNER WITHOUT THE PRIOR WRITTEN CONSENT OF FOXCONN INTERCONNECT TECHNOLOGY LIMITED. | | | Q'TY | DRAW: Gohan Wu 01/24'18 | | | | | | |
| | | | | <table border="1"> <tr> <td>SCALE</td> <td>SHEET</td> <td>REV.</td> </tr> <tr> <td>1:1</td> <td>2/6</td> <td>E</td> </tr> </table> | SCALE | SHEET | REV. | 1:1 | 2/6 | E |
| SCALE | SHEET | REV. | | | | | | | | |
| 1:1 | 2/6 | E | | | | | | | | |

| | | |
|------|----------|-------|
| REV. | ECN. NO. | APPD. |
| | | |



ALIGNMENT KEY
(SEE PAGE 4)

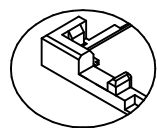


DETAIL D
SCALE 4:1

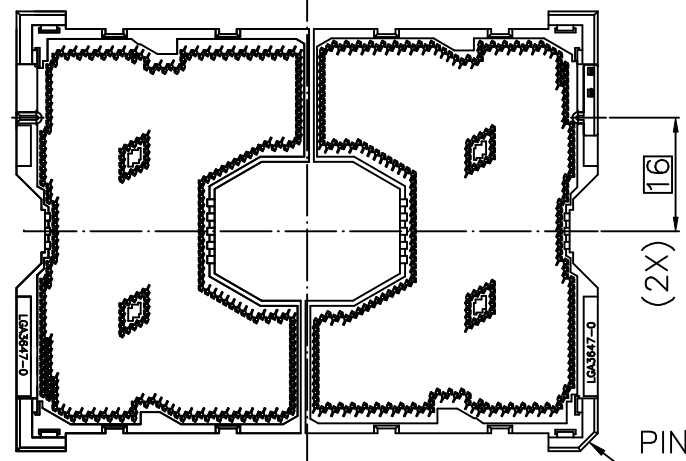
| | | |
|--------------|------------------|-----------------|
| P3 SEGMENT B | PE36473-31NK2-1H | 30u" Au |
| P2 SEGMENT B | PE36473-21NK2-1H | 30u" Au |
| | PE36473-11NK4-1H | 30u" Au |
| P1 SEGMENT B | PE36477-11NK2-1H | 15u" Au |
| | PE36477-01NK4-1H | 30u" Au |
| P0 SEGMENT B | PE36477-01NK2-1H | 15u" Au |
| DESCRIPTION | PART NUMBER | CONTACT PLATING |

| | | | | | | | | | | |
|---|--------|----------|--|--|------------------|-------|------|-----|-----|---|
| X.± 3 | X.± 1' | UNITS mm | NAME(INTENDED USE) LGA3647 SOCKET | FOXCONN INTERCONNECT TECHNOLOGY LIMITED. | | | | | | |
| .X± 0.25 | .X'± | MAT'L | PART NO.(INTENDED USE) PE3647*-*****-1H | | | | | | | |
| .XX± 0.10 | .XX'± | | APPD: Nick Lin | CLASS: <input type="checkbox"/> CONFIDENTIAL <input type="checkbox"/> SECRET <input checked="" type="checkbox"/> GENERAL | | | | | | |
| .XXX± | .XXX'± | | FINISH | CHKD: Mac Peng | CUSTOMER DRAWING | | | | | |
| <small>THESE DRAWINGS AND SPECIFICATIONS ARE THE PROPERTY OF FOXCONN INTERCONNECT TECHNOLOGY LIMITED, AND SHALL NOT BE REPRODUCED, COPIED OR USED IN ANY MANNER WITHOUT THE PRIOR WRITTEN CONSENT OF FOXCONN INTERCONNECT TECHNOLOGY LIMITED.</small> | | | Q'TY | TITLE: FOR LGA3647 SOCKET | | | | | | |
| | | | DRAW: Gohan Wu 01/24'18 | DWG NO.: 351-0000-1318 | | | | | | |
| | | | | <table border="1"> <tr> <td>SCALE</td> <td>SHEET</td> <td>REV.</td> </tr> <tr> <td>1:1</td> <td>3/6</td> <td>E</td> </tr> </table> | SCALE | SHEET | REV. | 1:1 | 3/6 | E |
| SCALE | SHEET | REV. | | | | | | | | |
| 1:1 | 3/6 | E | | | | | | | | |

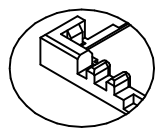
| | | |
|------|----------|-------|
| REV. | ECN. NO. | APPD. |
|------|----------|-------|



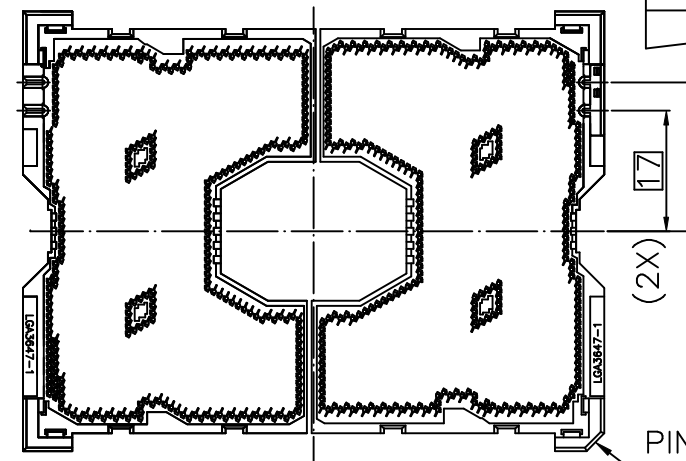
P0 KEY
TYPE 1



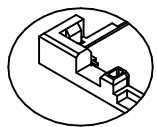
SOCKET P0



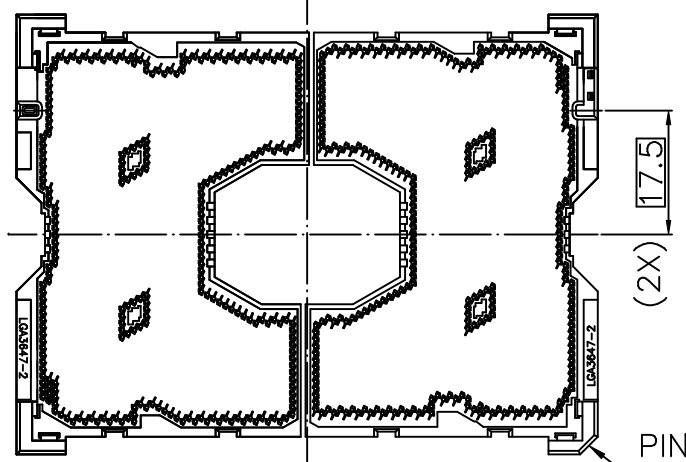
P1 KEY
TYPE 1



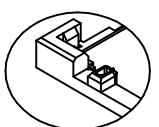
SOCKET P1



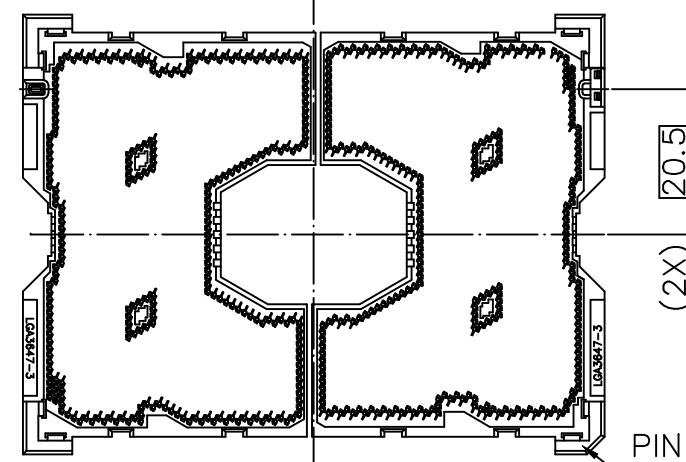
P2 KEY
TYPE 2



SOCKET P2



P3 KEY
TYPE 2

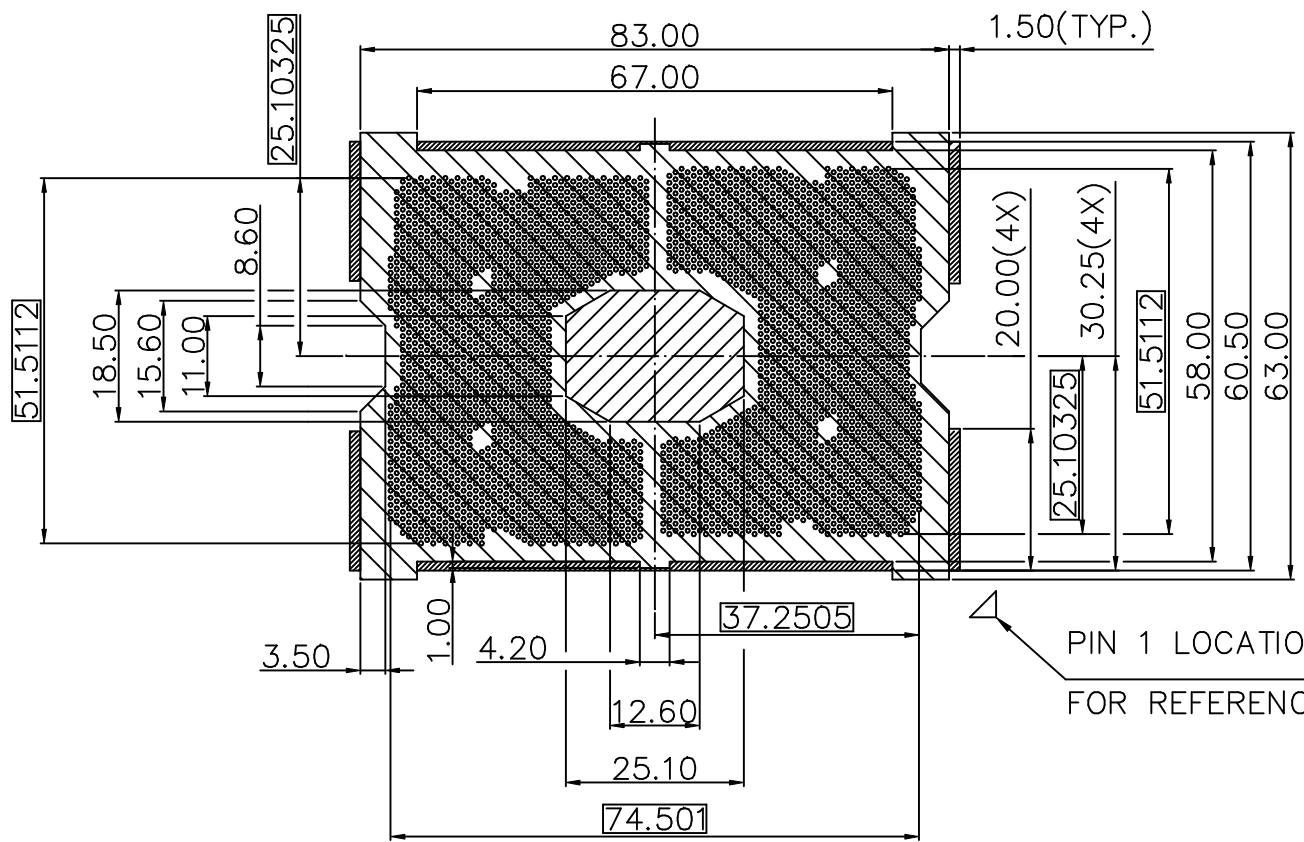


SOCKET P3

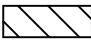
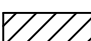

| | | |
|-------------|------------------------------|-------------------------------|
| SOCKET P3 | BLACK | PURPLE |
| SOCKET P2 | | BLUE |
| SOCKET P1 | | WHITE |
| SOCKET P0 | | YELLOW |
| DESCRIPTION | SEGMENT B(LEFT) KEY COLOR | SEGMENT A(RIGHT) KEY COLOR |



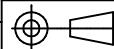
| | | | | | | | | | | |
|---|--------|------------|--|--|---------------------------|-------|------|-----|-----|---|
| X.± 3 | X.± 1* | UNITS mm | NAME(INTENDED USE) LGA3647 SOCKET | FOXCONN INTERCONNECT TECHNOLOGY LIMITED. | | | | | | |
| .X± 0.25 | .X*± | MAT'L | PART NO.(INTENDED USE) PE3647*-*****-1H | | | | | | | |
| .XX± 0.10 | .XX*± | FINISH | APPD: Nick Lin | CLASS: <input type="checkbox"/> CONFIDENTIAL <input type="checkbox"/> SECRET <input checked="" type="checkbox"/> GENERAL CUSTOMER DRAWING TITLE: FOR LGA3647 SOCKET | | | | | | |
| .XXX± | .XXX*± | | Q'TY | CHKD: Mac Peng | DWG NO.: 351-0000-1318 | | | | | |
| <small>THESE DRAWINGS AND SPECIFICATIONS ARE THE PROPERTY OF FOXCONN INTERCONNECT TECHNOLOGY LIMITED, AND SHALL NOT BE REPRODUCED, COPIED OR USED IN ANY MANNER WITHOUT THE PRIOR WRITTEN CONSENT OF FOXCONN INTERCONNECT TECHNOLOGY LIMITED.</small> | | | DRAW: Gohan Wu 01/24'18 | <table border="1"> <tr> <td>SCALE</td> <td>SHEET</td> <td>REV.</td> </tr> <tr> <td>1:1</td> <td>4/6</td> <td>E</td> </tr> </table> | SCALE | SHEET | REV. | 1:1 | 4/6 | E |
| SCALE | SHEET | REV. | | | | | | | | |
| 1:1 | 4/6 | E | | | | | | | | |

| | | |
|------|----------|-------|
| REV. | ECN. NO. | APPD. |
| | | |

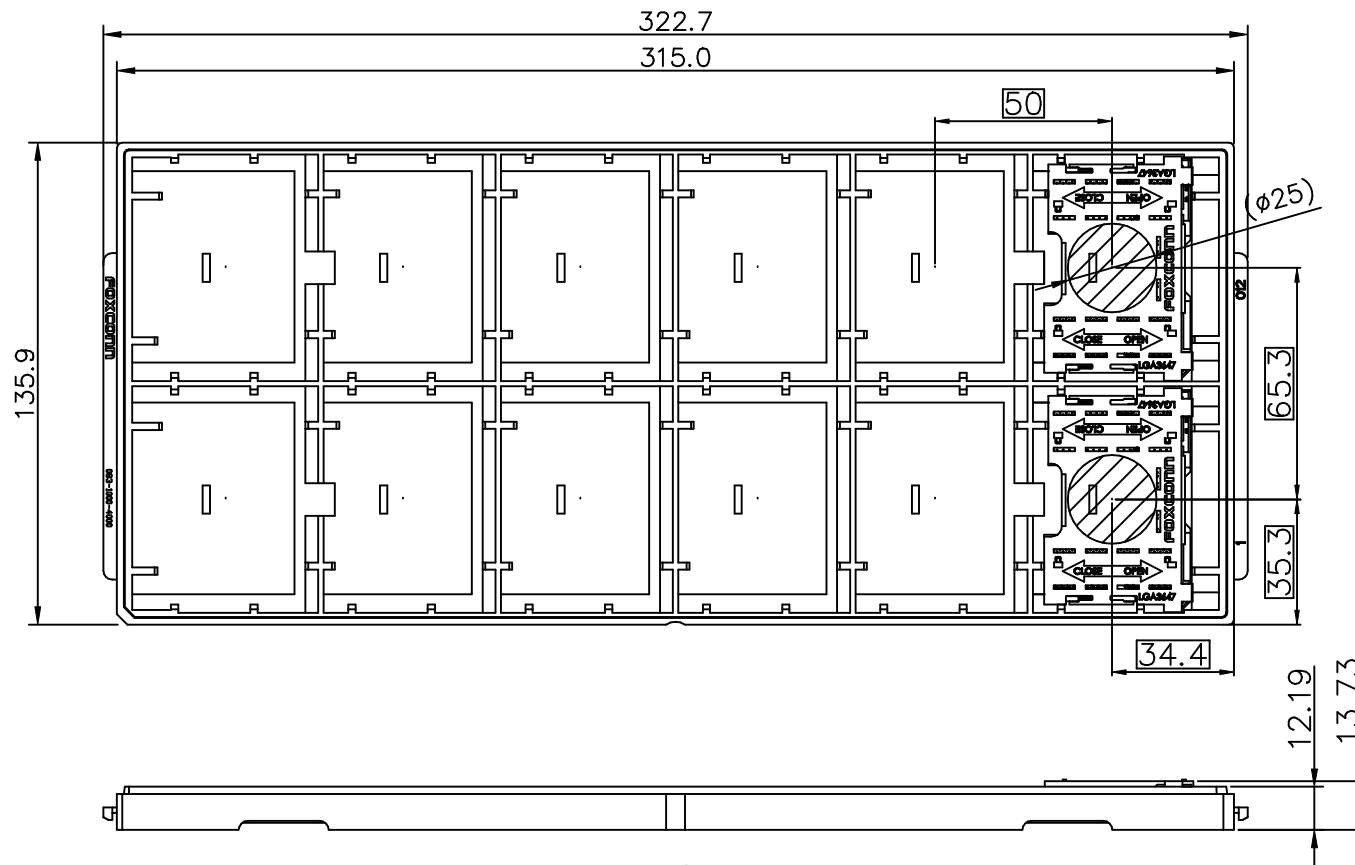


RECOMMENDED PAD ARRAY LAYOUT

-  SOCKET P PLACEMENT ZONE
NO OTHER COMPONENT PLACEMENT ALLOWED.
0.0 MM HEIGHT RESTRICTION.
-  SOCKET CAVITY
1.222 MM HEIGHT RESTRICTION.
-  SOCKET PICK & PLACE CAP SKIRT ZONE
0.0 MM HEIGHT RESTRICTION.

| | | | | |
|---|---------|--|--|--|
| X.± 3 | X.*± 1* | UNITS mm | NAME(INTENDED USE) LGA3647 SOCKET |  FOXCONN INTERCONNECT TECHNOLOGY LIMITED. |
| .X± 0.25 | .X*± | MAT'L | PART NO.(INTENDED USE) PE3647*-*****-1H | |
| .XX± 0.10 | .XX*± |  FINISH | APPD: Nick Lin | CLASS: <input type="checkbox"/> CONFIDENTIAL <input type="checkbox"/> SECRET <input checked="" type="checkbox"/> GENERAL CUSTOMER DRAWING TITLE: FOR LGA3647 SOCKET |
| .XXX± | .XXX*± | | Q'TY | CHKD: Mac Peng |
| <small>THESE DRAWINGS AND SPECIFICATIONS ARE THE PROPERTY OF FOXCONN INTERCONNECT TECHNOLOGY LIMITED, AND SHALL NOT BE REPRODUCED, COPIED OR USED IN ANY MANNER WITHOUT THE PRIOR WRITTEN CONSENT OF FOXCONN INTERCONNECT TECHNOLOGY LIMITED.</small> | | | DRAW: Gohan Wu 01/24'18 |  SCALE SHEET REV. 1:1 5/6 E |

| | | |
|------|----------|-------|
| REV. | ECN. NO. | APPD. |
| | | |



PACKING TRAY
SCALE 1:2

| | |
|-------------|-----------------|
| SEGMENT A | BLUE |
| SEGMENT B | BLACK |
| DESCRIPTION | HARD TRAY COLOR |

| | | | | |
|---|--------|------------|--|---|
| X.± 3 | X.± 1* | UNITS mm | NAME(INTENDED USE) LGA3647 SOCKET | FOXCONN INTERCONNECT TECHNOLOGY LIMITED. |
| .X± 0.25 | .X*± | MAT'L △ | PART NO.(INTENDED USE) PE3647*-*****-1H | |
| .XX± 0.10 | .XX*± | FINISH | APPD: Nick Lin | CLASS: <input type="checkbox"/> CONFIDENTIAL <input type="checkbox"/> SECRET <input checked="" type="checkbox"/> GENERAL |
| .XXX± | .XXX*± | Q'TY | CHKD: Mac Peng | CUSTOMER DRAWING TITLE: FOR LGA3647 SOCKET |
| <small>THESE DRAWINGS AND SPECIFICATIONS ARE THE PROPERTY OF FOXCONN INTERCONNECT TECHNOLOGY LIMITED, AND SHALL NOT BE REPRODUCED, COPIED OR USED IN ANY MANNER WITHOUT THE PRIOR WRITTEN CONSENT OF FOXCONN INTERCONNECT TECHNOLOGY LIMITED.</small> | | | DRAW: Gohan Wu 01/24'18 | DWG NO.: 351-0000-1318 |
| | | | | |