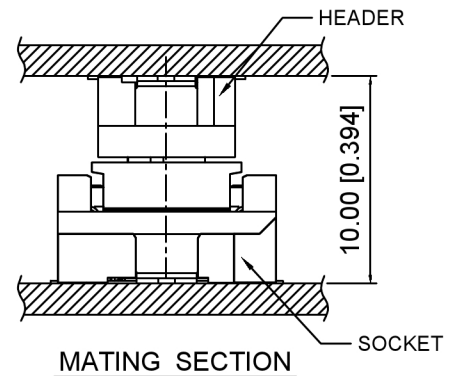


Recommended PCB Layout(±0.05)



Specifications:
 规格:
 Voltage rating:30V AC/DC
 额定电压: 30V AC/DC
 Current rating:0.5A AC/DC
 额定电流: 0.5A AC/DC
 Withstanding voltage: 150V AC/minute
 耐受电压: 150V AC/分钟
 Temperature range:-35°C~+85°C
 温度范围: -35°C~+85°C
 Insulation resistance: 1000MΩ min
 绝缘电阻: 1000MΩ Min
 Contact resistance:100mΩ Max
 接触电阻: 100mΩ Max

X0512 W V S-XX X-LP V01
 ① ② ③ ④ ⑤ ⑥ ⑦ ⑧

- Series No
- Category:W-Wafer
- Welding Board Angle:V-Straight 180°
- Welding Way:S-SMT
- Row No.Pin No:XX-20-120P
- Height:A=8.85mm
Mating Height 10.0mm
- Material:LP-LCP UL 94V-0 Black
- Plating:V01-Gold Flash

Poles	A	B	C	D
20	17.20	9.50	4.50	11.65
30	19.70	12.00	7.00	14.15
40	22.20	14.50	9.50	16.65
50	24.70	17.00	12.00	19.15
60	27.20	19.50	14.50	21.65
80	32.20	24.50	19.50	26.65
100	37.20	29.50	24.50	31.65
120	42.20	34.50	29.50	36.65

X0512WVS-XXX-LPV01	LCP	Copper alloy	X0512F
PART NO	Material	Material(Pin)	Suitable XKB Female

DSND	SCALE: N/A	MODEL TYPE:
DWN	VIEW:	0.5mm BTB Style Connector
CHKD	UNIT: mm/in	PART NO.:
APPD	SIZE: A4	X0512WVS-XXX-LPV01
		DWG NO.:
		X-X0512WVS-XXX-LPV01
		WEIGHT
		SHEET
		REVISION



XKB INDUSTRIAL PRECISION CO.,LIMITED

广东星坤科技股份有限公司

Δx	日期
Δx	日期
Δx	日期
MARK	DESCRIPTION

文件工程章

REVISIONS	DATE	REVISED	APPROVED	UNSPECIFIED TOLERANCES
				ANGULAR ±5°
				L ≤ 4 ±0.2
				4 < L ≤ 16 ±0.3
				16 < L ≤ 63 ±0.4
				L > 63 ±0.5