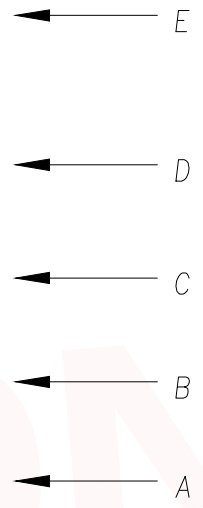
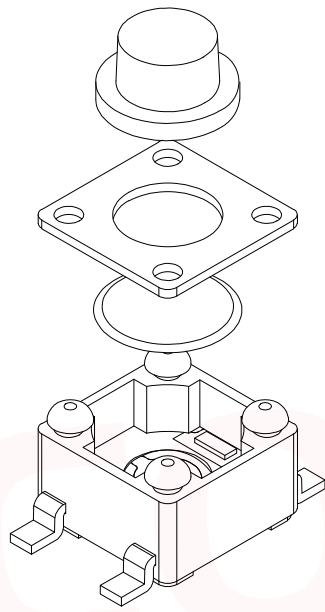
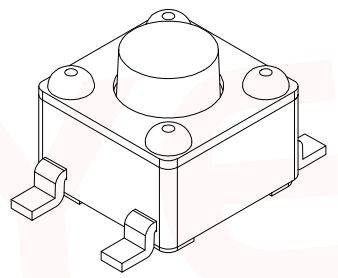
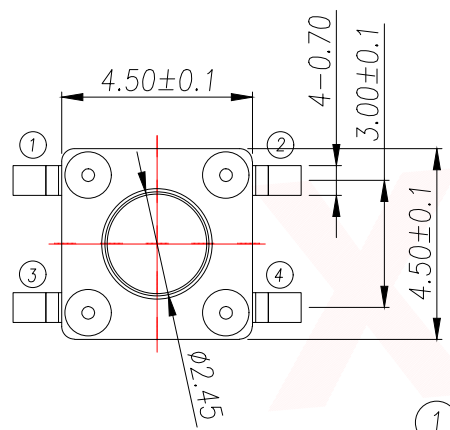
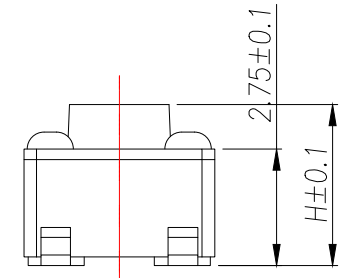
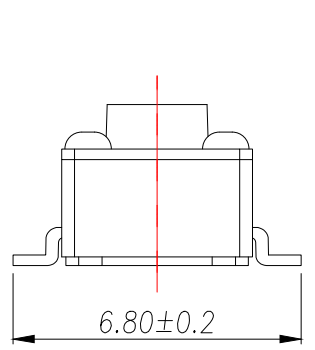
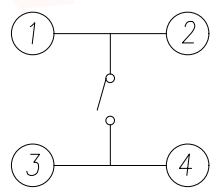


| | | | | |
|------|------|----------|------|------|
| REV. | Q'TY | ECN. NO. | APR. | DATE |
| | | | | |



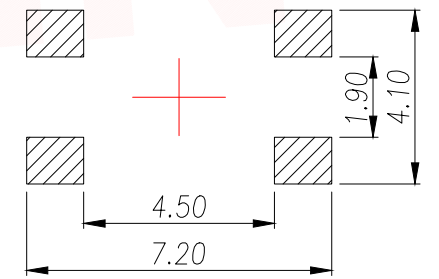
The Main Thchnology Performance

| | |
|----------------------|--------------|
| Rate voltage,current | 50mA DC12V |
| Contact resistance | ≤100mΩ |
| Operating force | ±30gf |
| Travel | 0.20±0.10mm |
| Insulated resistance | >100MΩ |
| Dielectric strength | >250VAC/1min |



CIRCUIT DIAGRAM

| E | 按钮 | PPA | 1 | 黑色 |
|------|-------------|----------|-----|-------------|
| D | 盖板 | 铁盖板 | 1 | 镀锡 |
| C | 弹片 | 不锈钢 | 1 | 镀银 |
| B | 本体 | PPA | 1 | 黑色 |
| A | 卡件 | 黄铜 | 1 | 镀银 |
| ITEM | DESCRIPTION | MATERIAL | QTY | FINSH/COLOR |



PCB.WELDING DRAWING

T S O 1 O - T B W 1

力度: F: 250G E: 180G
 高度: H3.5 H3.8

| | | |
|-----|-----|------|
| H | H | H |
| 3.5 | 5.5 | 8.0 |
| 3.8 | 6.0 | 8.5 |
| 4.3 | 6.5 | 9.0 |
| 4.5 | 7.0 | 9.5 |
| 5.0 | 7.5 | 10.0 |

| DIMENSION IN mm | |
|--------------------------------------|-----------|
| TOLERANCE UNLESS OTHERWISE SPECIFIED | |
| .X±0.35 | X.*± 5° |
| .XX±0.25 | .X.*± 3° |
| .XXX±0.15 | .XX.*± 1° |

厦门市辛译精密电子有限公司
 Xiamen XinYi Xyecom Electronics Co.,Ltd

| | |
|-----------|--------------------------------|
| APR. Alex | TITLE: 4.5x4.5 SMD TACT SWITCH |
| CHK. Jack | DWG NO. TS010-TBW1FHX |
| DRA. Can | PROJ. CUSTOMER DRAWING |
| SIZE A4 | SCALE 1:1 SHEET 1/1 REV. A |