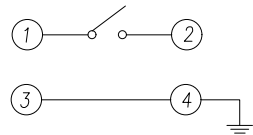
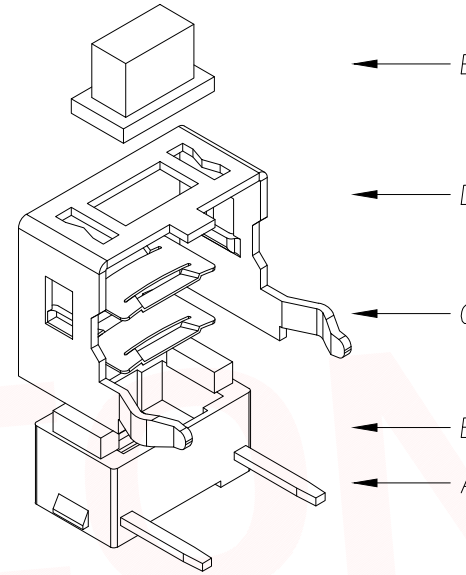
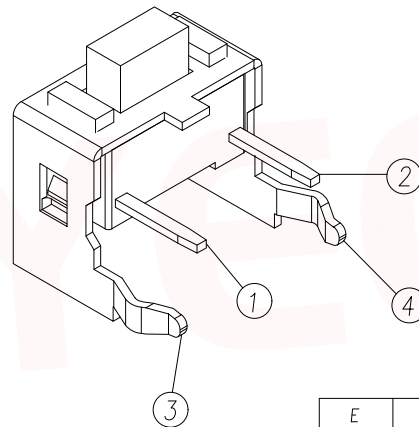
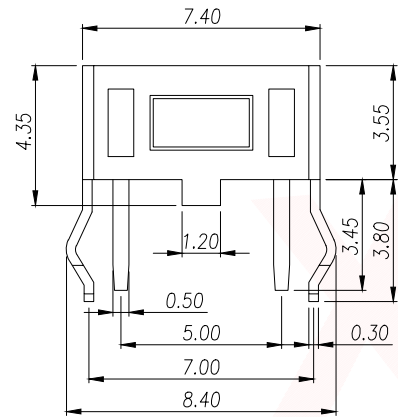
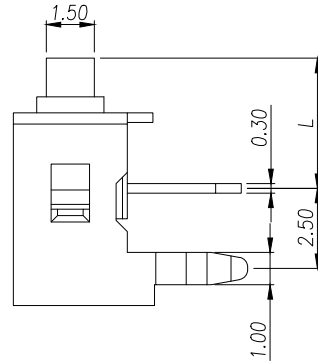
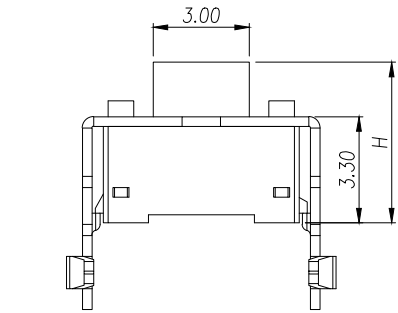


REV.	Q'TY	ECN. NO.	APR.	DATE

The Main Thchnology Performance

Rate voltage,current	50mA DC12V
Contact resistance	≤100mΩ
Operating force	±30gf
Travel	0.20±0.10mm
Insulated resistance	≥100MΩ
Dielectric strength	≥250VAC/1min

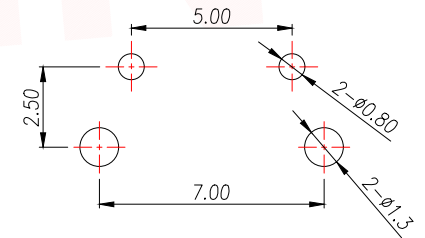


CIRCUIT DIAGRAM

T S O 2 - C B W O

力度: F: 250G E: 180G
 高度: H4.3 H4.5

E	按钮	PPA	1	白/黑色
D	盖板	铁盖板	1	镀铜锡
C	弹片	不锈钢	1	镀银
B	本体	PPA	1	白/黑色
A	卡件	黄铜	1	镀银
ITEM	DESCRIPTION	MATERIAL	QTY	FINSH/COLOR



PCB.WELDING DRAWING

H
4.3
4.5
4.8
5.3
5.5

DIMENSION IN mm	
TOLERANCE UNLESS OTHERWISE SPECIFIED	
.X±0.35	X.*± 5'
.XX±0.25	.X.*± 3'
.XXX±0.15	.XX.*± 1'

厦门市辛译精密电子有限公司
 Xiamen XinYi Xyecomm Electronics Co.,Ltd

APR.	Alex	TITLE:	3x6 DIP TACT SWITCH
CHK.	Jack	DWG NO.	TS02-CBWOEHX
DRA.	Can	PROJ.	CUSTOMER DRAWING
SIZE	A4	SCALE	1:1
SHEET	1/1	REV.	A