



Power Relay Series 功率继电器系列--JY32FN

FEATURES特点

- Microminiature relay
Dimensions: 18.2×10.2×15.5(mm)
超小型继电器
尺寸: 18.2×10.2×15.5(mm)
- 20A switching capacity
20A触点切换能力
- Contact: 1 Form A
触点形式: 一组常开
- Reinforced insulation between coil and contact
触点线圈间达到加强绝缘



CONTACT PARAMETERS触点参数

Contact Form 触点形式		A-1组常开
Contact Material 触点材料		Ag Alloy
Rated Load 触点负载		10A 250VAC 18A 277VAC 20A 250VAC
Contact Resistance 接触电阻		Max. 100mΩ (6VDC 1A)
负载	Max.Switching Voltage 最大切换电压	277VAC/30VDC
	Max.Switching Current 最大切换电流	20A
Load	Max.Switching Power 最大切换功率	5540VA/600W
	Min.Switching Load 最小切换电压电流	5VDC, 100mA
寿命	Mechanical durability 电寿命	100, 000次
Life	The durability of electricity 机械寿命	10, 000, 00次

CHARACTERISTICS性能参数

Contact Materials触点材料	Ag Alloy银合金	
Contact Resistance接触电阻	100mΩ Max	
Operate Time吸合时间	10ms. Max	
Release Time释放时间	10ms. Max	
Insulation Resistance绝缘电阻	100MΩ Min.(DC500V)	
Initial Dielectric Strength介质耐压	between open contacts: 触点与触点间:	AC1,000V,50/60Hz 1Min
	between contacts and coil: 触点与线圈间:	AC4,000V,50/60Hz 1Min
Vibration Resistance抗振动	Damage limits: 耐久:	10~55Hz Double Amplitude双振幅1.5mm
	Malfunction: 误动作:	10~55Hz Double Amplitude双振幅1.5mm
Shock Resistance抗冲击	Damage limits: 耐久:	100G Min
	Malfunction: 误动作:	10G Min
Life寿命	Mechanical Life (10800 per hour) 机械寿命 (每小时10800次)	1×10 ⁷
	Electrical Life (600 per hour) 电气寿命 (每小时600次)	1×10 ⁵



Ambient Temperature环境温度	-40 °C ~ +85 °C (No condensation) (不冷凝)
Unit Weight单位重量	约Approx.6.0g

COIL DATA Ambient Temperature: 23°C 线圈规格表 环境温度: 23°C

Model 型号规格	Nominal Voltage VDC 线圈额定电压 VDC	Coil Resistance Ω +/-10% 线圈电阻 Ω (1±10%)	Operate Voltage \leq VDC 吸合电压VDC	Release Voltage \geq VDC 释放电压VDC	Coil Power mW 额定线圈功率mW
JY32FN-S-DC3V-A	3	20.0	2.25	0.15	450
JY32FN-S-DC5V-A	5	55.6	3.75	0.25	
JY32FN-S-DC6V-A	6	80	4.5	0.30	
JY32FN-S-DC9V-A	9	180	6.75	0.45	
JY32FN-S-DC12V-A	12	320	9.0	0.60	
JY32FN-S-DC18V-A	18	720	12.6	0.90	
JY32FN-S-DC24V-A	24	1280	18.0	1.20	
JY32FN-S-DC48V-A	48	5120	36.0	2.40	
JY32FNH-S-DC3V-A	3	45	2.25	0.15	200
JY32FNH-S-DC5V-A	5	125	3.75	0.25	
JY32FNH-S-DC6V-A	6	180	4.5	0.30	
JY32FNH-S-DC9V-A	9	405	6.75	0.45	
JY32FNH-S-DC12V-A	12	720	9.0	0.60	
JY32FNH-S-DC18V-A	18	1620	12.6	0.90	
JY32FNH-S-DC24V-A	24	2880	18.0	1.20	
JY32FNH-S-DC48V-A	48	11520	36.0	2.40	

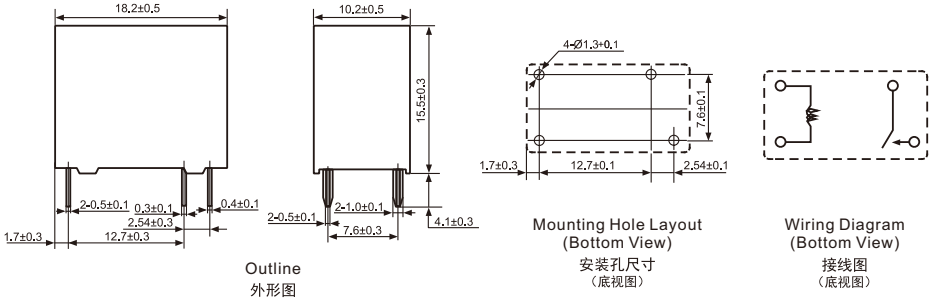
ORDERING INFORMATION 订货标记

JYT32FN-S-DC12V-A-(XXX) 1 2 3 4 5	
1. Model Number基本型号 JY32FN/JY32FNH 2. Encapsulation form:S-Plastic Sealed SH:Fluk proofed 封装形式: S-塑封型 SH-防焊剂型 3. Coil Voltage线圈规格: DC3V,DC5V,DC6V,DC9V,DC12V,DC18V,DC24V,	4. Contact form: A-1Form A 触点形式: A-1组常开 5. Customer Special Code :XXX- Customer Special Requirements No - Standard Type 客户特性号: XXX-客户特殊要求, 无-标准型

SAFETY STANDARD 安规认证

AuthType Basic认证类别	CQC	TUV	UL/C_UL
Authentication Load 认证负载	10A 250VAC 18A 277VAC 20A 250VAC	10A 250VAC 18A 277VAC 20A 250VAC	10A 250VAC 18A 277VAC 20A 250VAC

OUTLINE, WIRING DIAGRAM, MOUNTING HOLE LAYOUT (UNIT: mm) 外形图、接线图、安装孔尺寸(单位: mm)



TYPICAL USE 典型用途

- Household equipment, Office equipment, Audio, Smart home, Smart socket, Etc..
- 家用设备, 办公设备, 音响, 智能家居, 智能插座等

PERFORMANCE CHART 性能曲线图

