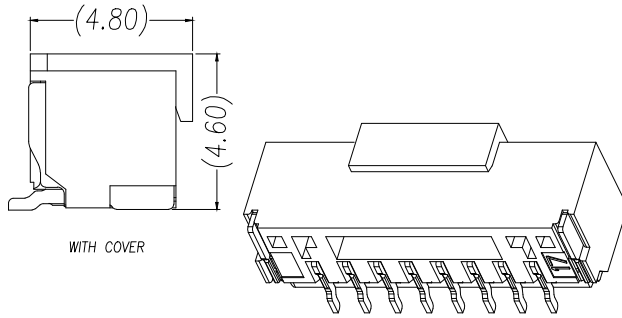
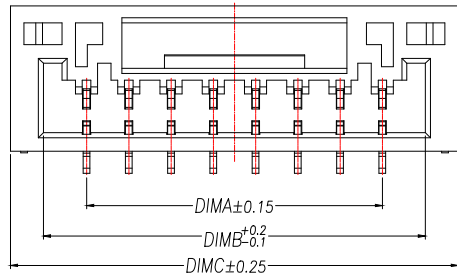


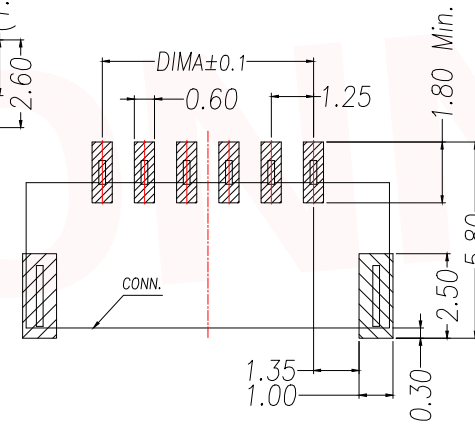
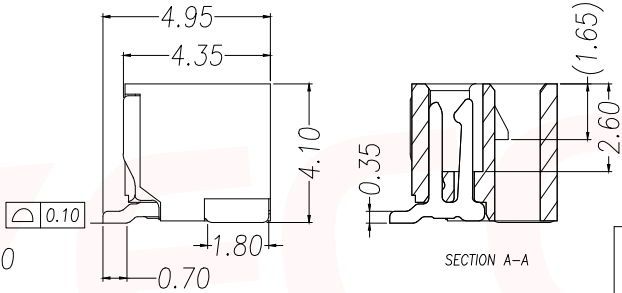
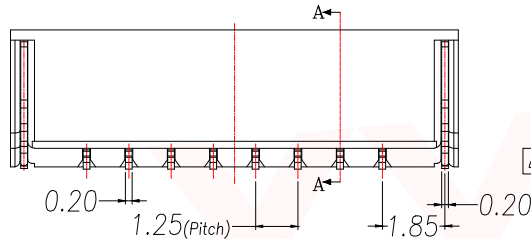
|      |      |          |      |      |
|------|------|----------|------|------|
| REV. | Q'TY | ECN. NO. | APR. | DATE |
|      |      |          |      |      |



NOTES:

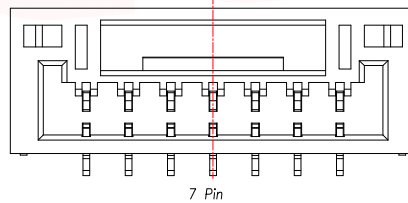
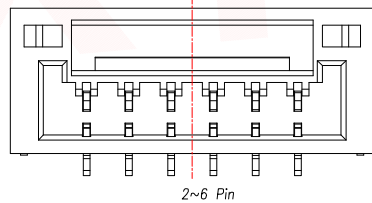
1. Working temp: -25°C~85°C.
2. Voltage rating: 50V AC/DC(rms)
3. Contact resistance: 40mΩ max.
4. Insulation resistance: 100MΩ min.
5. Current rating: 1A AV/DC
6. Withstanding Voltage: 500V AC/minute
7. Pin Retention Force: 0.5N min.
8. Housing material: LCP UL94-V0, Natural
9. Terminal mater: Brass, plating Ni 40u" min , plating Tin 100u"min.
10. Solder tab material: Brass, plating Ni 40u" min , plating Tin 100u"min.

PRELIMINARY  
DESIGN IS SUBJECT  
TO CHANGE WITHOUT  
PRIOR NOTICE



RECOMMENDED PCB LAYOUT TOP VIEW (TOLERANCE: ±0.05)

▨ SMT SOLDER AREA

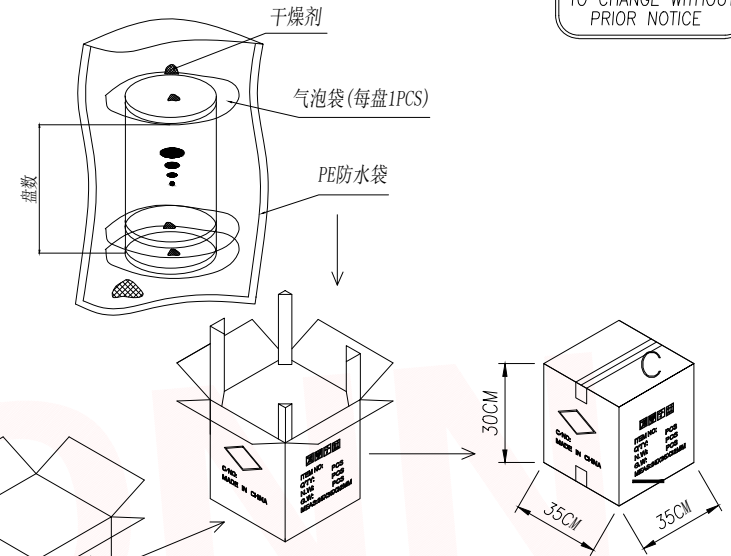
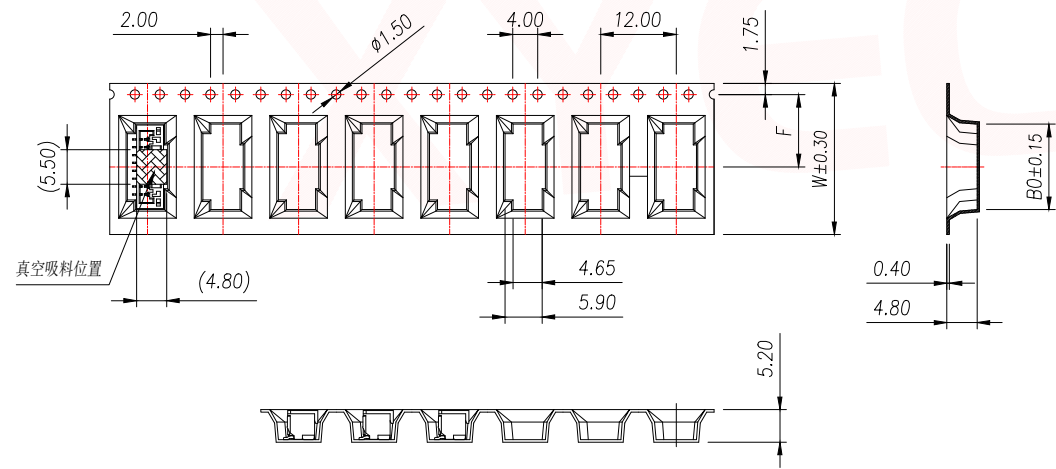
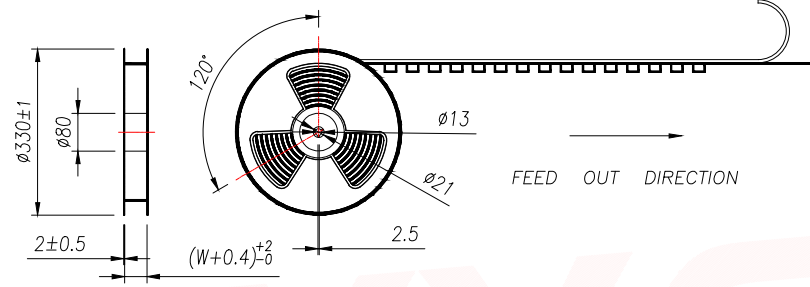
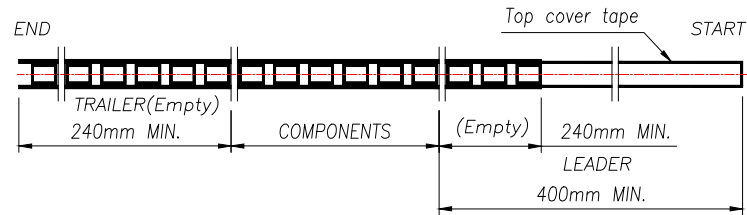


| PIN | NO.             | Dim A | Dim B | Dim C |
|-----|-----------------|-------|-------|-------|
| 2   | XY-GH1.25-2A51  | 1.25  | 3.80  | 5.75  |
| 3   | XY-GH1.25-3A51  | 2.50  | 5.05  | 7.00  |
| 4   | XY-GH1.25-4A51  | 3.75  | 6.30  | 8.25  |
| 5   | XY-GH1.25-5A51  | 5.00  | 7.55  | 9.50  |
| 6   | XY-GH1.25-6A51  | 6.25  | 8.80  | 10.75 |
| 7   | XY-GH1.25-7A51  | 7.50  | 10.05 | 12.00 |
| 8   | XY-GH1.25-8A51  | 8.75  | 11.30 | 13.25 |
| 9   | XY-GH1.25-N951  | 10.00 | 12.55 | 14.50 |
| 10  | XY-GH1.25-10A51 | 11.25 | 13.80 | 15.75 |
| 11  | XY-GH1.25-11A51 | 12.50 | 15.05 | 17.00 |
| 12  | XY-GH1.25-12A51 | 13.75 | 16.30 | 18.25 |
| 13  | XY-GH1.25-13A51 | 15.00 | 17.55 | 19.50 |
| 14  | XY-GH1.25-14A51 | 16.25 | 18.80 | 20.75 |
| 15  | XY-GH1.25-15A51 | 17.50 | 20.05 | 22.00 |
| 16  | XY-GH1.25-16A51 | 18.75 | 21.30 | 23.25 |

| DIMENSION IN mm |            | TOLERANCE UNLESS OTHERWISE SPECIFIED |           | 厦门市辛译精密电子有限公司<br>Xiamen XinYi Xyecom Electronics Co.,Ltd |        |
|-----------------|------------|--------------------------------------|-----------|--|--------|
| .X ± 0.35       | X.* ± 5°   | APR.                                 | Alex      | TITLE: WAFER 1.25mm H4.1mm W/ B 180°SMT                  |        |
| .XX ± 0.25      | .X.* ± 3°  | CHK.                                 | Jack      | DWG NO. XY-GH1.25-NA51                                   |        |
| .XXX ± 0.15     | .XX.* ± 1° | DRA.                                 | Can       | PROJ.  CUSTOMER DRAWING                                  |        |
|                 |            | SIZE A4                              | SCALE 1:1 | SHEET 1/3  | REV. A |

|      |      |          |      |      |
|------|------|----------|------|------|
| REV. | Q'TY | ECN. NO. | APR. | DATE |
|      |      |          |      |      |

PRELIMINARY  
DESIGN IS SUBJECT  
TO CHANGE WITHOUT  
PRIOR NOTICE

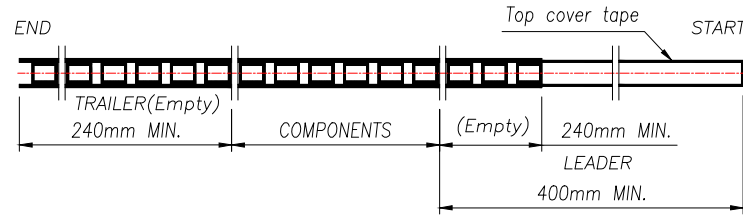


- NOTE:
- 1.10 SPROCKET HOLE PITCH CUMULATIVE TOLERANCE ±0.2mm.
  - 2.CARRIER CAMBER NOT TO EXCEED 1mm IN 100mm.
  - 3.ALL DIMENSIONS MEET EIA-481 REQUIREMENTS.
  - 4.MATERIAL: CLEAR ANTISTATIC PS, COLD SEALING.
  - 5.COMPONENT LOAD PER REEL: 1000 PCS.

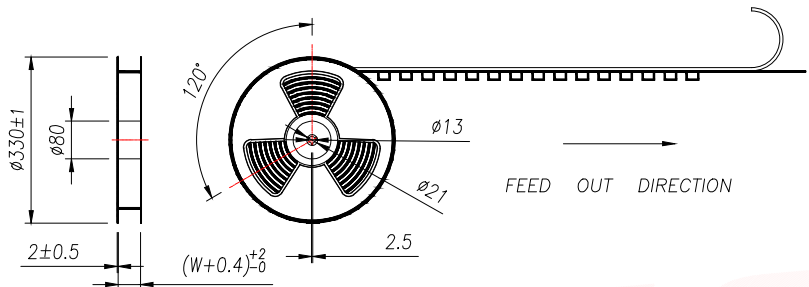
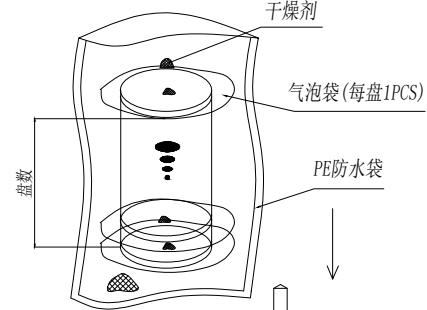
| PIN | NO.            | B0    | Dim W | Dim F | PCS/RELL | RELL/CARTON | PCS/CARTON |
|-----|----------------|-------|-------|-------|----------|-------------|------------|
| 2   | XY-GH1.25-2A51 | 6.05  | 16    | 7.50  | 1000     | 14          | 14000      |
| 3   | XY-GH1.25-3A51 | 7.30  |       |       |          |             |            |
| 4   | XY-GH1.25-4A51 | 8.55  | 24    | 11.50 |          | 10          | 10000      |
| 5   | XY-GH1.25-5A51 | 9.80  |       |       |          |             |            |
| 6   | XY-GH1.25-6A51 | 11.05 |       |       |          |             |            |
| 7   | XY-GH1.25-7A51 | 12.30 |       |       |          |             |            |
| 8   | XY-GH1.25-8A51 | 13.55 |       |       |          |             |            |
| 9   | XY-GH1.25-9A51 | 14.80 |       |       |          |             |            |

| DIMENSION IN mm                      |           | 厦门市辛译精密电子有限公司<br>Xiamen XinYi Xyconn Electronics Co.,Ltd |      |   |     |
|--------------------------------------|-----------|--|------|---|-----|
| TOLERANCE UNLESS OTHERWISE SPECIFIED |           | APR.   | Alex | TITLE: WAFER 1.25mm H4.1mm W/ B 180°SMT |     |
| .X±0.35                              | X.*± 5*   | CHK.   | Jack | DWG NO. XY-GH1.25-NA51                  |     |
| .XX±0.25                             | .X.*± 3*  | DRA.   | Can  | PROJ.  CUSTOMER DRAWING                 |     |
| .XXX±0.15                            | .XX.*± 1* | SIZE   | A4   | SCALE                                   | 1:1 |
|                                      |           | SHEET  | 2/3  | REV.                                    | A   |

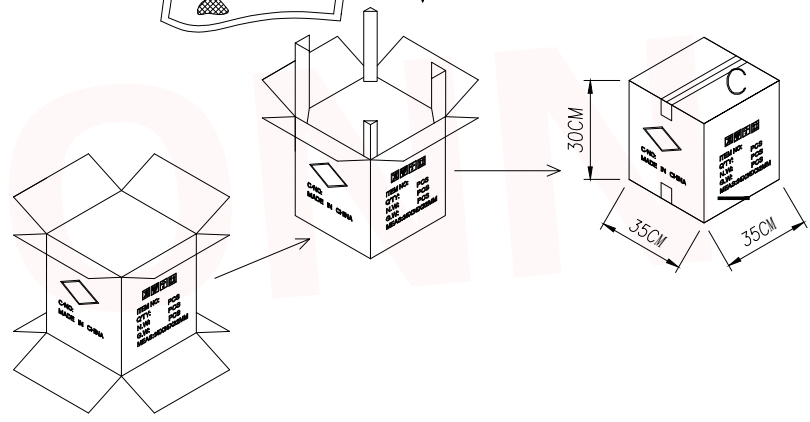
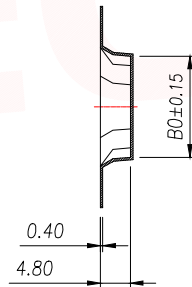
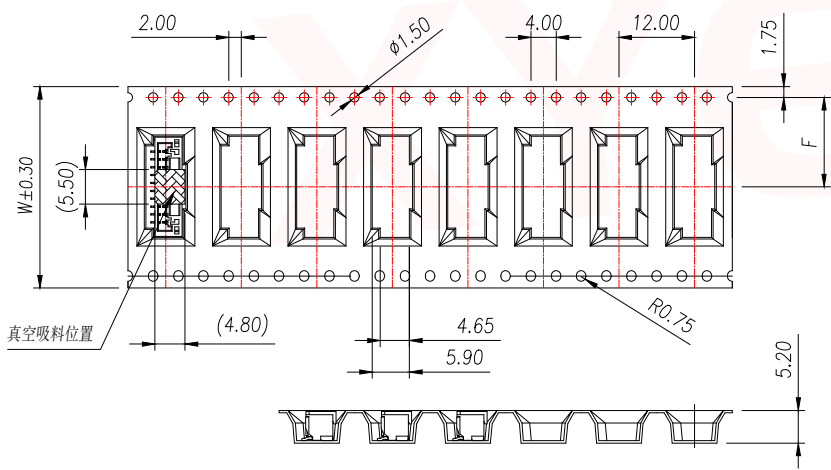
|      |      |          |      |      |
|------|------|----------|------|------|
| REV. | Q'TY | ECN. NO. | APR. | DATE |
|      |      |          |      |      |



PRELIMINARY DESIGN IS SUBJECT TO CHANGE WITHOUT PRIOR NOTICE



FEED OUT DIRECTION



- NOTE:
- 1.10 SPROCKET HOLE PITCH CUMULATIVE TOLERANCE  $\pm 0.2\text{mm}$ .
  - 2.CARRIER CAMBER NOT TO EXCEED 1mm IN 100mm.
  - 3.ALL DIMENSIONS MEET EIA-481 REQUIREMENTS.
  - 4.MATERIAL: CLEAR ANTISTATIC PS, COLD SEALING.
  - 5.COMPONENT LOAD PER REEL: 1000 PCS.

| PIN | NO.             | B0    | Dim W | Dim F | PCS/REEL | REEL/CARTON | PCS/CARTON |
|-----|-----------------|-------|-------|-------|----------|-------------|------------|
| 10  | XY-GH1.25-10A51 | 16.05 | 32    | 14.2  | 1000     | 8           | 8000       |
| 11  | XY-GH1.25-11A51 | 17.30 |       |       |          |             |            |
| 12  | XY-GH1.25-12A51 | 18.55 |       |       |          |             |            |
| 13  | XY-GH1.25-13A51 | 19.80 | 44    | 20.2  | 6        | 6000        |            |
| 14  | XY-GH1.25-14A51 | 21.05 |       |       |          |             |            |
| 15  | XY-GH1.25-15A51 | 22.30 |       |       |          |             |            |
| 16  | XY-GH1.25-16A51 | 23.55 |       |       |          |             |            |

| DIMENSION IN mm |                     | TOLERANCE UNLESS OTHERWISE SPECIFIED |      | 厦门市辛译精密电子有限公司<br>Xiamen XinYi Xyconn Electronics Co.,Ltd |     |                  |     |
|-----------------|---------------------|--------------------------------------|------|--|-----|------------------|-----|
| .X $\pm 0.35$   | X.* $\pm 5^\circ$   | APR.                                 | Alex | TITLE: WAFER 1.25mm H4.1mm W/ B 180°SMT                  |     |                  |     |
| .XX $\pm 0.25$  | .X.* $\pm 3^\circ$  | CHK.                                 | Jack | DWG NO. XY-GH1.25-NA51                                   |     |                  |     |
| .XXX $\pm 0.15$ | .XX.* $\pm 1^\circ$ | DRA.                                 | Can  | PROJ.  |     | CUSTOMER DRAWING |     |
|                 |                     | SIZE                                 | A4   | SCALE  | 1:1 | SHEET            | 3/3 |
|                 |                     | REV.                                 | A    |  |     |                  |     |