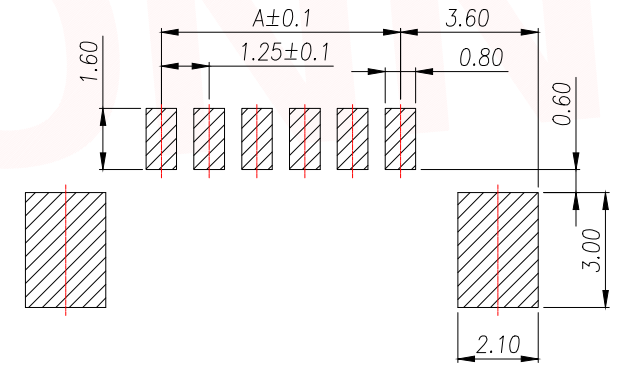
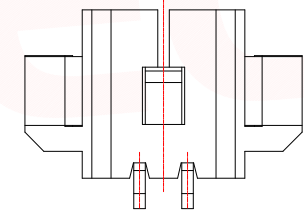
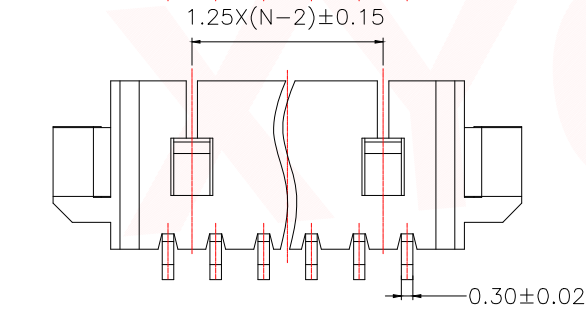
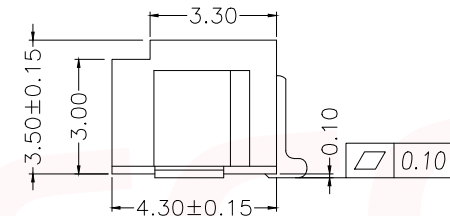
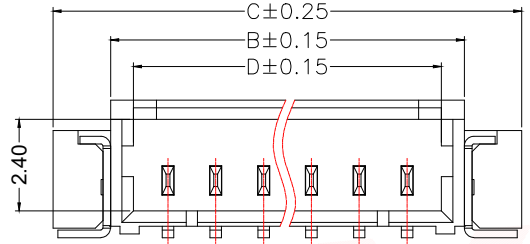
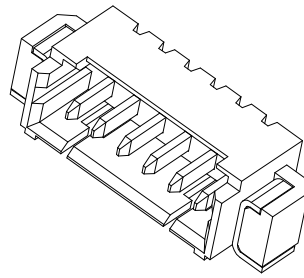
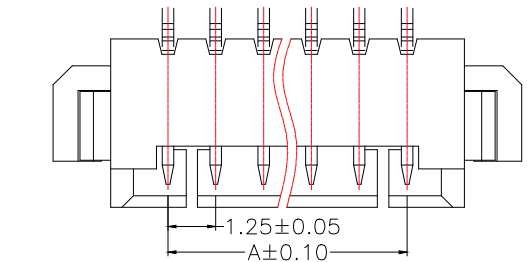


REV.	Q'TY	ECN. NO.	APR.	DATE

PRELIMINARY
DESIGN IS SUBJECT
TO CHANGE WITHOUT
PRIOR NOTICE

NOTES:

1. Working temp: -25°C~85°C.
2. Voltage rating: 100V AC/DC(rms)
3. Contact resistance: 40mΩ max.
4. Insulation resistance: 100MΩ min.
5. Current rating: 1A AV/DC
6. Withstanding Voltage: 500V AC/minute
7. Pin Retention Force: 5N min.
8. Housing material: LCP UL94-V0, Natural
9. Terminal materl: Brass,
plating Ni 50u" min , plating Tin 100u"min.
10. Solder tab material: Brass,
plating Ni 50u" min , plating Tin 100u"min.

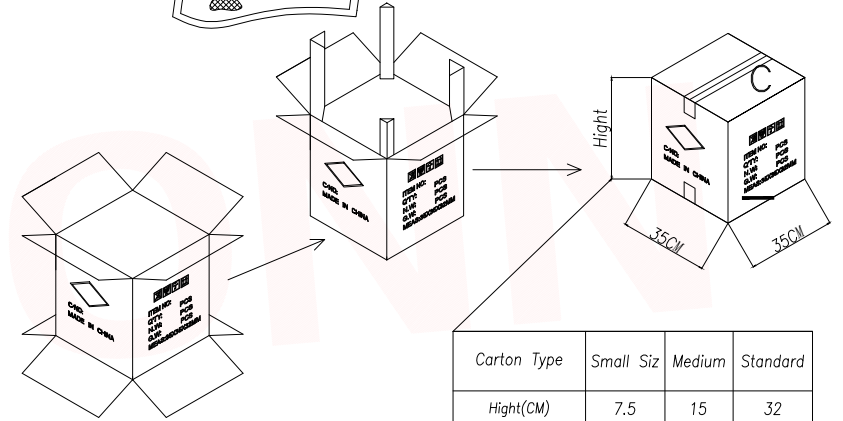
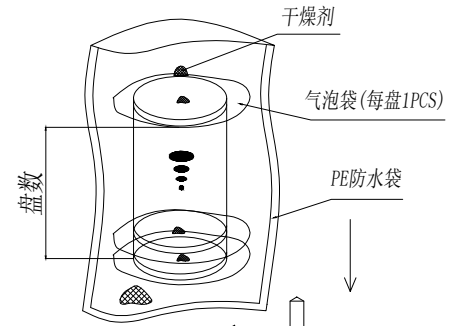
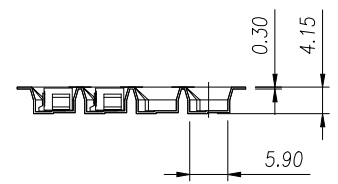
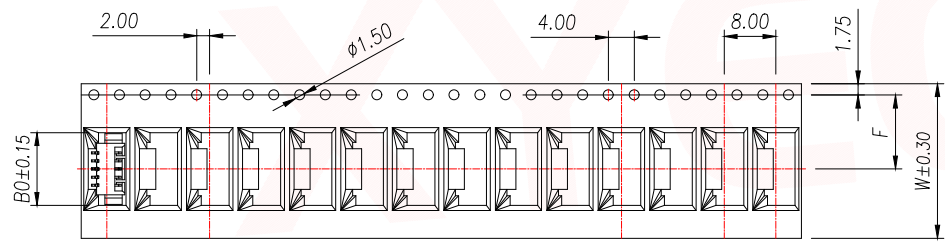
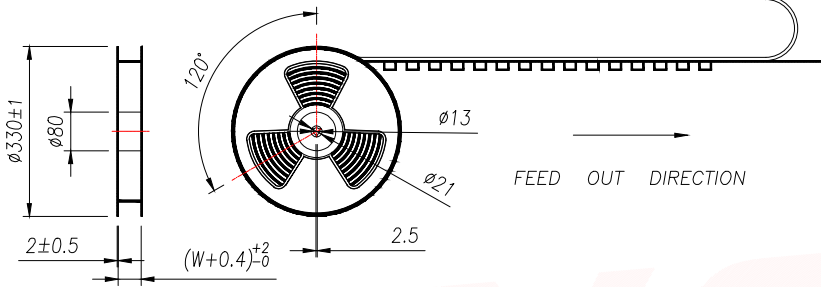
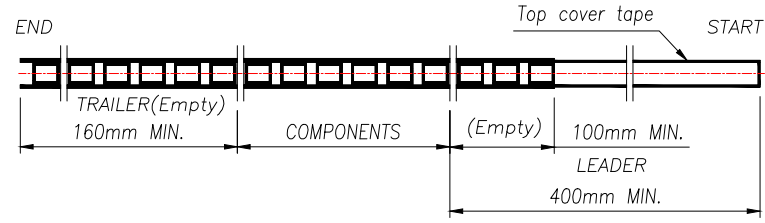


PIN	NO.	Dim A	Dim B	Dim C	Dim D
2	XY-MX1.25-2A61	1.25	4.45	7.45	3.05
3	XY-MX1.25-3A61	2.50	5.70	8.70	4.30
4	XY-MX1.25-4A61	3.75	6.95	9.95	5.55
5	XY-MX1.25-5A61	5.00	8.20	11.20	6.80
6	XY-MX1.25-6A61	6.25	9.45	12.45	8.05
7	XY-MX1.25-7A61	7.50	10.70	13.70	9.30
8	XY-MX1.25-8A61	8.75	11.95	14.95	10.55
9	XY-MX1.25-9A61	10.00	13.20	16.20	11.8
10	XY-MX1.25-10A61	11.25	14.45	17.45	13.05
11	XY-MX1.25-11A61	12.50	15.70	18.70	14.3
12	XY-MX1.25-12A61	13.75	16.95	19.95	15.55
13	XY-MX1.25-13A61	15.00	18.20	21.20	16.80
14	XY-MX1.25-14A61	16.25	19.45	22.45	18.05
15	XY-MX1.25-15A61	17.50	20.70	23.70	19.3
16	XY-MX1.25-16A61	18.75	21.95	24.95	20.55

DIMENSION IN mm		厦门市辛译精密电子有限公司 Xiamen XinYi Xyecomm Electronics Co.,Ltd		
TOLERANCE UNLESS OTHERWISE SPECIFIED		APR. Alex	TITLE: WAFER 1.25mm H3.6mm W/ B 90°SMT	
.X±0.35	.X*± 5°	CHK. Jack	DWG NO. XY-MX1.25-NA61	
.XX±0.25	.X*± 3°	DRA. Can	PROJ. CUSTOMER DRAWING	
.XXX±0.15	.XX*± 1°	SIZE A4	SCALE 1:1	SHEET 1/3 REV. A

REV.	Q'TY	ECN. NO.	APR.	DATE

PRELIMINARY
DESIGN IS SUBJECT
TO CHANGE WITHOUT
PRIOR NOTICE



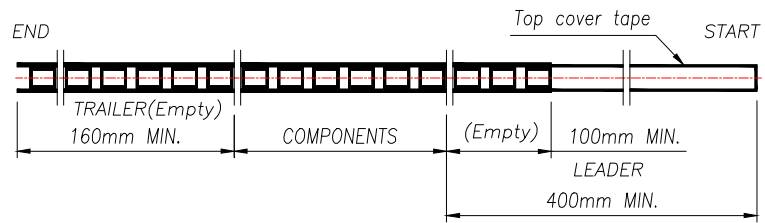
Carton Type	Small Siz	Medium	Standard
Hight(CM)	7.5	15	32

- NOTE:
- 1.10 SPROCKET HOLE PITCH CUMULATIVE TOLERANCE ± 0.2 mm.
 - 2.CARRIER CAMBER NOT TO EXCEED 1mm IN 100mm.
 - 3.ALL DIMENSIONS MEET EIA-481 REQUIREMENTS.
 - 4.MATERIAL: CLEAR ANTISTATIC PS, COLD SEALING.
 - 5.THICKNESS: 0.30 ± 0.05 mm.
 - 6.PACKING LENGHT PER REEL: 16.5 METERS.
 - 7.COMPONENT LOAD PER REEL: 2000 PCS.

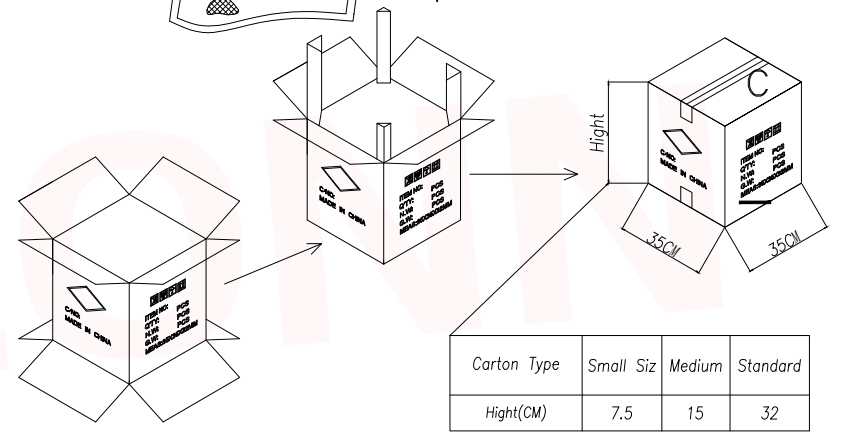
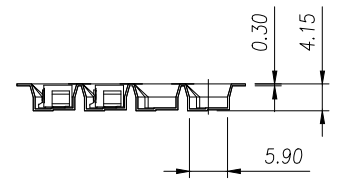
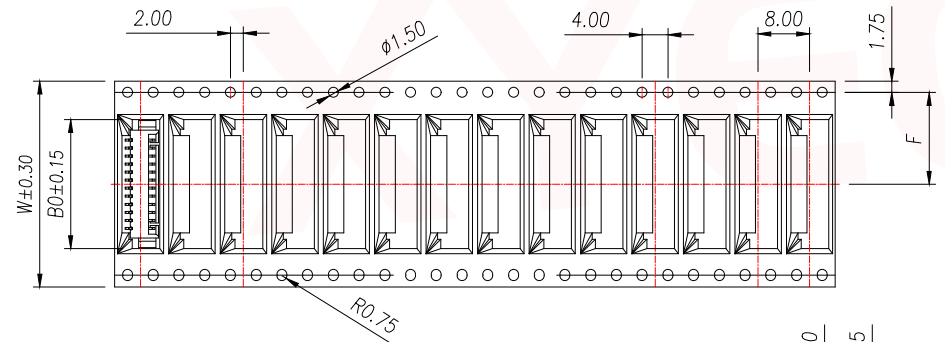
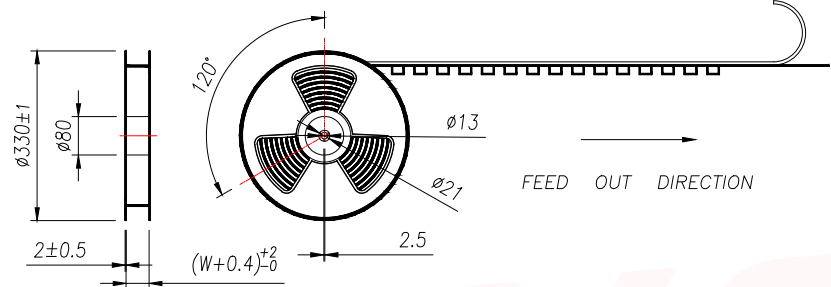
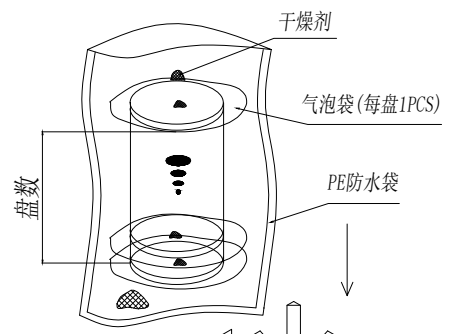
PIN	NO.	Dim B0	Dim W	Dim F	PCS/RELL	RELL/CARTON	PCS/CARTON
2	XY-MX1.25-2A61	7.55	16	7.5	2000	14	28000
3	XY-MX1.25-3A61	8.80					
4	XY-MX1.25-4A61	10.05	24	11.50		10	20000
5	XY-MX1.25-5A61	11.30					
6	XY-MX1.25-6A61	12.55					
7	XY-MX1.25-7A61	13.80					
8	XY-MX1.25-8A61	15.05					

DIMENSION IN mm		厦门市辛译精密电子有限公司 Xiamen XinYi Xyconn Electronics Co.,Ltd			
TOLERANCE UNLESS OTHERWISE SPECIFIED		APR.	Alex	TITLE: WAFER 1.25mm H3.6mm W/ B 90°SMT	
.X \pm 0.35	X.* \pm 5*	CHK.	Jack	DWG NO. XY-MX1.25-NA61	
.XX \pm 0.25	.X* \pm 3*	PROJ.		CUSTOMER DRAWING	
.XXX \pm 0.15	.XX* \pm 1*	DRA.	Can	SIZE A4	SCALE 1:1
		SHEET	2/3	REV.	A

REV.	Q'TY	ECN. NO.	APR.	DATE



PRELIMINARY DESIGN IS SUBJECT TO CHANGE WITHOUT PRIOR NOTICE



Carton Type	Small Siz	Medium	Standard
Hight(CM)	7.5	15	32

- NOTE:
- 1.10 SPROCKET HOLE PITCH CUMULATIVE TOLERANCE $\pm 0.2\text{mm}$.
 - 2.CARRIER CAMBER NOT TO EXCEED 1mm IN 100mm.
 - 3.ALL DIMENSIONS MEET EIA-481 REQUIREMENTS.
 - 4.MATERIAL: CLEAR ANTISTATIC PS, COLD SEALING.
 - 5.THICKNESS: $0.30 \pm 0.05\text{mm}$.
 - 6.PACKING LENGTH PER REEL: 16.5 METERS.
 - 7.COMPONENT LOAD PER REEL: 2000 PCS.

PIN	NO.	Dim B0	Dim W	Dim F	PCS/RELL	RELL/CARTON	PCS/CARTON
9	XY-MX1.25-9A61	16.30	32	14.2	2000	8	16000
10	XY-MX1.25-10A61	17.55					
11	XY-MX1.25-11A61	18.80					
12	XY-MX1.25-12A61	20.05					
13	XY-MX1.25-13A61	21.30	44	20.2	6	12000	
14	XY-MX1.25-14A61	22.55					
15	XY-MX1.25-15A61	23.80					
16	XY-MX1.25-16A61	25.05					

DIMENSION IN mm		厦门市辛译精密电子有限公司 Xiamen XinYi Xyecom Electronics Co.,Ltd			
TOLERANCE UNLESS OTHERWISE SPECIFIED					
.X \pm 0.35	X.* \pm 5*	APR.	Alex	TITLE: WAFER 1.25mm H3.6mm W/ B 90°SMT	
.XX \pm 0.25	.X* \pm 3*	CHK.	Jack	DWG NO. XY-MX1.25-NA61	
.XXX \pm 0.15	.XX* \pm 1*	DRA.	Can	PROJ. CUSTOMER DRAWING	
		SIZE A4	SCALE 1:1	SHEET 3/3	REV. A