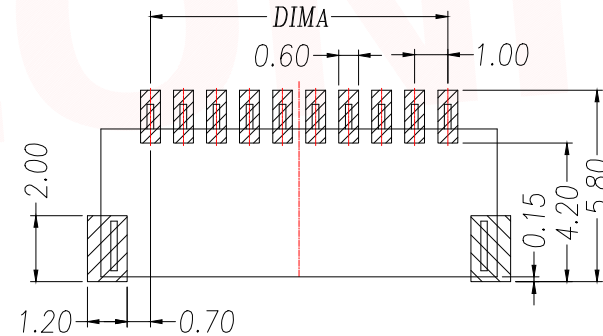
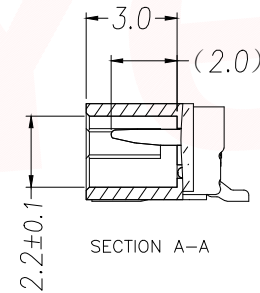
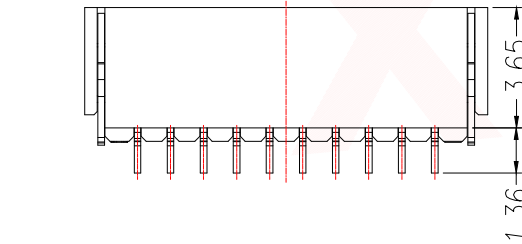
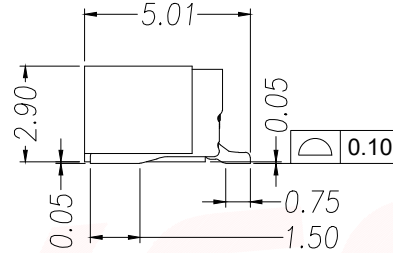
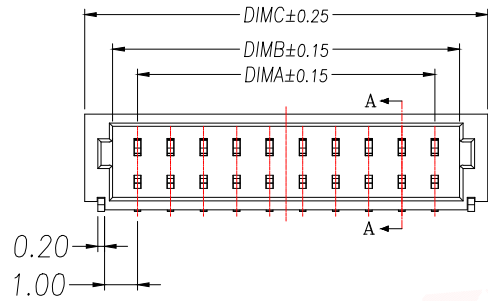
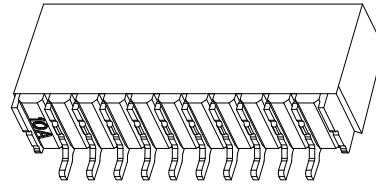
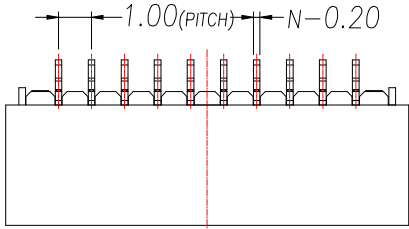


REV.	Q'TY	ECN. NO.	APR.	DATE

PRELIMINARY
DESIGN IS SUBJECT
TO CHANGE WITHOUT
PRIOR NOTICE

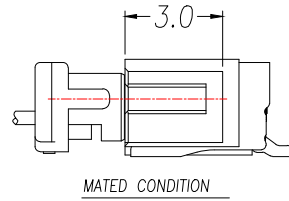
NOTES:

1. Working temp: -25°C~85°C.
2. Voltage rating: 50V AC/DC(rms)
3. Contact resistance: 40mΩ max.
4. Insulation resistance: 100MΩ min.
5. Current rating: 1A AV/DC
6. Withstanding Voltage: 500V AC/minute
7. Pin Retention Force: 3N min.
8. Housing material: LCP UL94-V0, Natural
9. Terminal materl: Brass,
plating Ni 40u" min , plating Tin 100u"min.
10. Solder tab material: Brass,
plating Ni 40u" min , plating Tin 100u"min.



RECOMMENDED PCB LAYOUT TOP VIEW (TOLERANCE:±0.05)

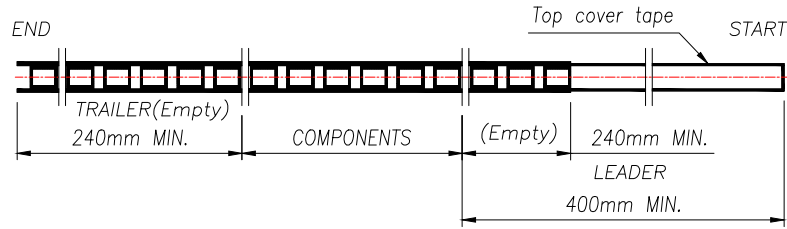
▨ SMT SOLDER AREA



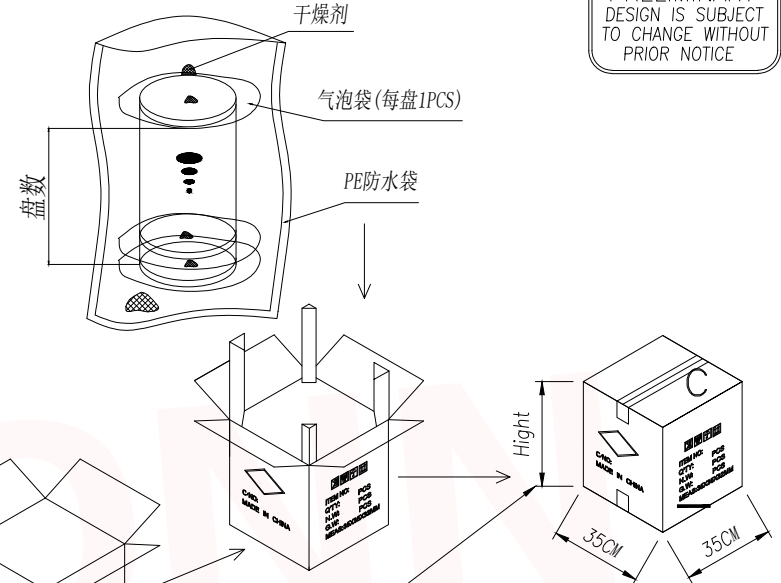
PIN	NO.	Dim A	Dim B	Dim C
2	XY-SH1.0-2A61	1.00	2.50	4.20
3	XY-SH1.0-3A61	2.00	3.50	5.20
4	XY-SH1.0-4A61	3.00	4.50	6.20
5	XY-SH1.0-5A61	4.00	5.50	7.20
6	XY-SH1.0-6A61	5.00	6.50	8.20
7	XY-SH1.0-7A61	6.00	7.50	9.20
8	XY-SH1.0-8A61	7.00	8.50	10.20
9	XY-SH1.0-9A61	8.00	9.50	11.20
10	XY-SH1.0-10A61	9.00	10.50	12.20
11	XY-SH1.0-11A61	10.00	11.50	13.20
12	XY-SH1.0-12A61	11.00	12.50	14.20
13	XY-SH1.0-13A61	12.00	13.50	15.20
14	XY-SH1.0-14A61	13.00	14.50	16.20
15	XY-SH1.0-15A61	14.00	15.50	17.20
16	XY-SH1.0-16A61	15.00	16.50	18.20

DIMENSION IN mm		厦门市辛译精密电子有限公司 Xiamen XinYi Xyecomm Electronics Co.,Ltd		
TOLERANCE UNLESS OTHERWISE SPECIFIED		APR.	Alex	TITLE: WAFER 1.00mm H2.9mm 90°SMT
.X±0.35	X.*± 5*	CHK.	Jack	DWG NO. XY-SH1.0-NA61
.XX±0.25	.X*± 3*	DRA.	Can	PROJ. CUSTOMER DRAWING
.XXX±0.15	.XX*± 1*	SIZE	A4	SCALE 1:1 SHEET 1/3 REV. A

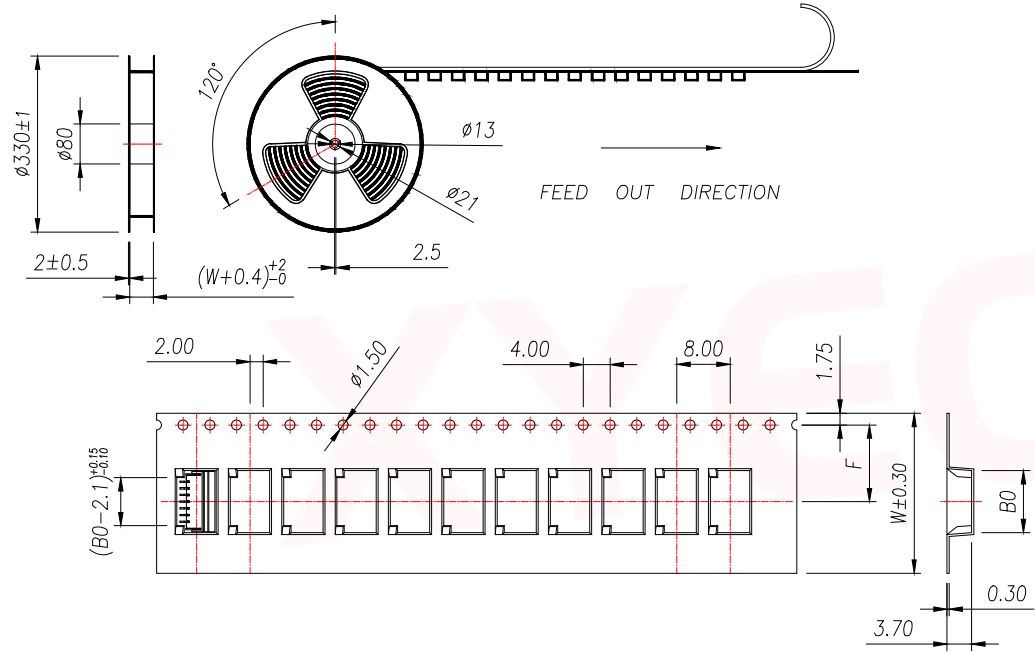
REV.	Q'TY	ECN. NO.	APR.	DATE



PRELIMINARY DESIGN IS SUBJECT TO CHANGE WITHOUT PRIOR NOTICE



Carton Type	Small Siz	Medium	Standard
Height(CM)	7.5	15	32

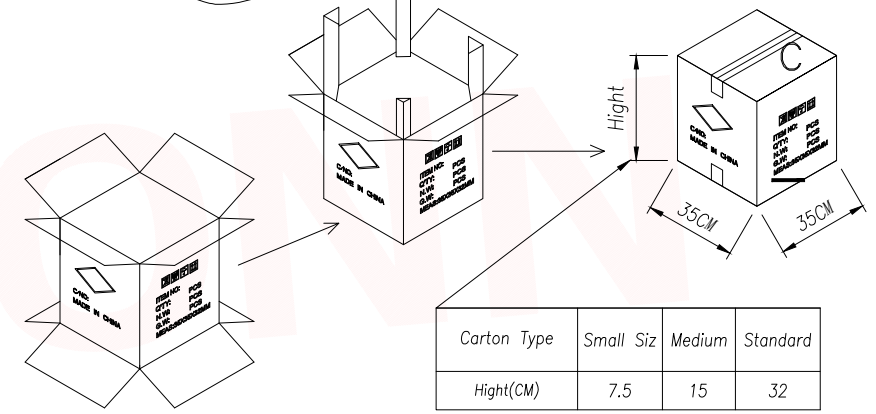
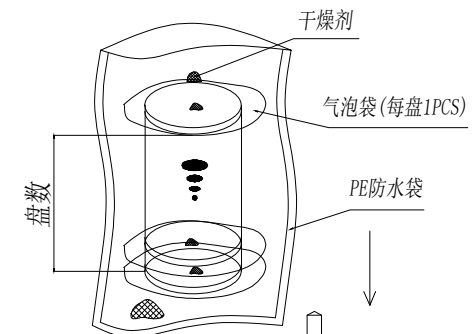
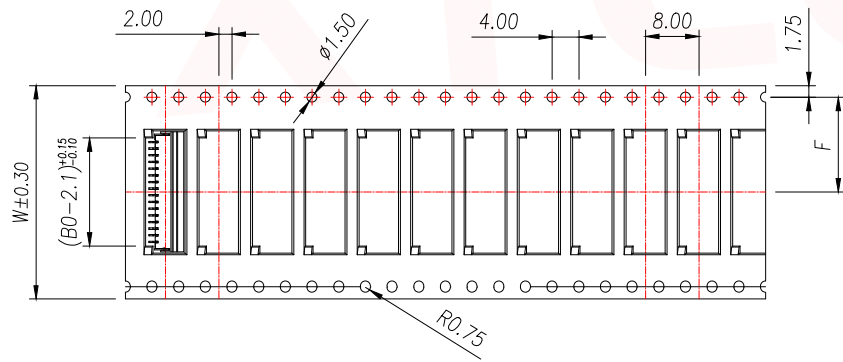
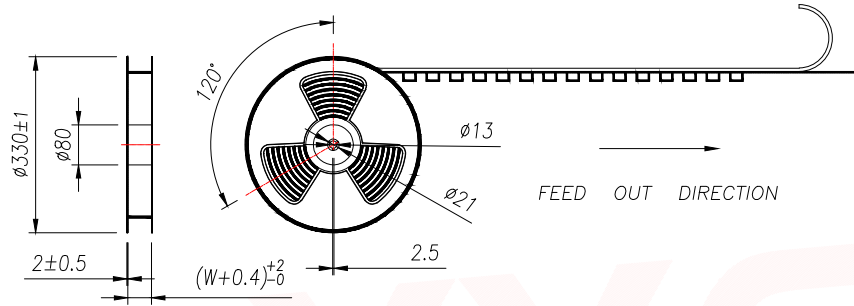
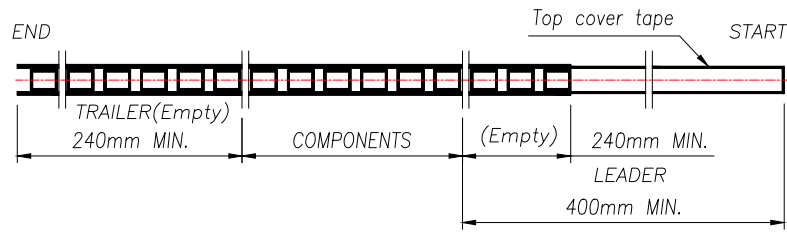


- NOTE:
- 1.10 SPROCKET HOLE PITCH CUMULATIVE TOLERANCE ±0.2mm.
 - 2.CARRIER CAMBER NOT TO EXCEED 1mm IN 100mm.
 - 3.ALL DIMENSIONS MEET EIA-481 REQUIREMENTS.
 - 4.MATERIAL: CLEAR ANTISTATIC PS, COLD SEALING.
 - 5.COMPONENT LOAD PER REEL: 2000 PCS.

PIN	NO.	B0	Dim W	Dim F	PCS/RELL	RELL/CARTON	PCS/CARTON
2	XY-SH1.0-2A61	4.30	16	7.50	2000	14	28000
3	XY-SH1.0-3A61	5.30					
4	XY-SH1.0-4A61	6.30					
5	XY-SH1.0-5A61	7.30					
6	XY-SH1.0-6A61	8.30					
7	XY-SH1.0-7A61	9.30	24	11.50	10	20000	
8	XY-SH1.0-8A61	10.30					
09	XY-SH1.0-9A61	11.30					
10	XY-SH1.0-10A61	12.30					
11	XY-SH1.0-11A61	13.30					
12	XY-SH1.0-12A61	14.30					
13	XY-SH1.0-13A61	15.30					

DIMENSION IN mm		厦门市辛译精密电子有限公司 Xiamen XinYi Xyconn Electronics Co.,Ltd			
TOLERANCE UNLESS OTHERWISE SPECIFIED		APR.	Alex	TITLE: WAFER 1.00mm H2.9mm 90°SMT	
.X±0.35	X.*± 5°	CHK.	Jack	DWG NO. XY-SH1.0-NA61	
.XX±0.25	.X*± 3°	DRA.	Can	PROJ. CUSTOMER DRAWING	
.XXX±0.15	.XX*± 1°	SIZE	A4	SCALE	1:1
		SHEET	2/3	REV.	A

REV.	Q'TY	ECN. NO.	APR.	DATE



PRELIMINARY
DESIGN IS SUBJECT
TO CHANGE WITHOUT
PRIOR NOTICE

- NOTE:
- 1.10 SPROCKET HOLE PITCH CUMULATIVE TOLERANCE $\pm 0.2\text{mm}$.
 - 2.CARRIER CAMBER NOT TO EXCEED 1mm IN 100mm.
 - 3.ALL DIMENSIONS MEET EIA-481 REQUIREMENTS.
 - 4.MATERIAL: CLEAR ANTISTATIC PS, COLD SEALING.
 - 5.COMPONENT LOAD PER REEL: 2000 PCS.

PIN	NO.	B0	Dim W	Dim F	PCS/RELL	RELL/CARTON	PCS/CARTON
14	XY-SH1.0-14A61	16.30	32	14.2	2000	8	16000
15	XY-SH1.0-15A61	17.30					
16	XY-SH1.0-16A61	18.30					

DIMENSION IN mm		APR. Alex		TITLE: WAFER 1.00mm H2.9mm 90°SMT	
TOLERANCE UNLESS OTHERWISE SPECIFIED					
.X \pm 0.35	X.* \pm 5°	CHK. Jack	DWG NO. XY-SH1.0-NA61		
.XX \pm 0.25	.X* \pm 3°	DRA. Can	PROJ. CUSTOMER DRAWING		
.XXX \pm 0.15	.XX* \pm 1°	SIZE A4		SCALE 1:1	SHEET 3/3