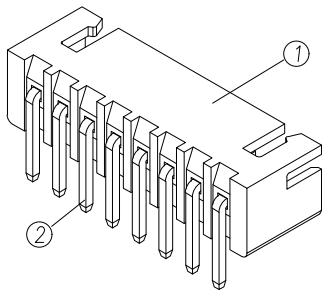
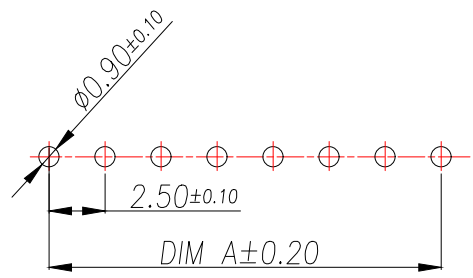
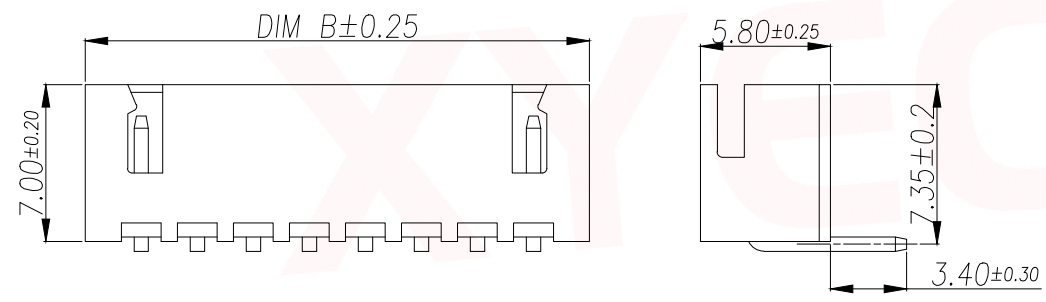
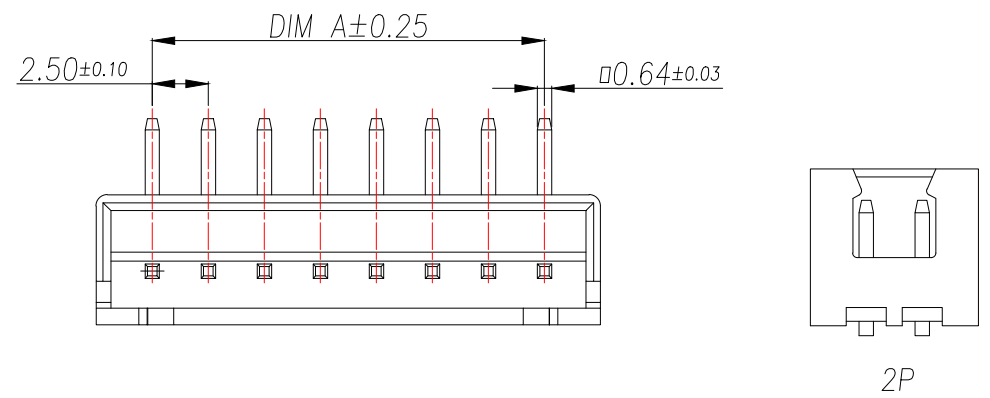


|      |      |          |      |      |
|------|------|----------|------|------|
| REV. | Q'TY | ECN. NO. | APR. | DATE |
|      |      |          |      |      |

PRELIMINARY  
DESIGN IS SUBJECT  
TO CHANGE WITHOUT  
PRIOR NOTICE

- 技术要求:
1. 塑件材料: PA66 (UL-94V-0)
  2. 接触件: 黄铜镀锡
  3. 接触电阻:  $\leq 10m\Omega$
  4. 绝缘电阻:  $\geq 1000M\Omega$
  5. 额定电压: 250V AC DC
  6. 额定电流: 3.0A AC DC
  7. 耐压: 能承受 1000V AC/Minute
  8. 工作温度:  $-25^{\circ}\sim+85^{\circ}$
  9. 可焊性试验: 浸锡面积  $\geq 95\%$  温度  $235^{\circ}\pm 5^{\circ}$ , 时间  $2.5\pm 0.5$  秒
  10. 铅和镉等六大有害物质含量要符合环保要求

| Part No        | PIN | A          | B          |
|----------------|-----|------------|------------|
| XY-XH2.5-2A21  | 2   | 2.5        | 7.5        |
| XY-XH2.5-3A21  | 3   | 5.0        | 10.0       |
| XY-XH2.5-4A21  | 4   | 7.5        | 12.5       |
| XY-XH2.5-5A21  | 5   | 10.0       | 15.0       |
| XY-XH2.5-6A21  | 6   | 12.5       | 17.5       |
| XY-XH2.5-7A21  | 7   | 15.0       | 20.0       |
| XY-XH2.5-8A21  | 8   | 17.5       | 22.5       |
| XY-XH2.5-8A21  | 9   | 20.0       | 25.0       |
| XY-XH2.5-9A21  | 10  | 22.5       | 27.5       |
| XY-XH2.5-11A21 | 11  | 25.0       | 30.0       |
| XY-XH2.5-12A21 | 12  | 27.5       | 32.5       |
| XY-XH2.5-13A21 | 13  | 30.0       | 35.0       |
| .....          | ... | ...        | ...        |
| XY-XH2.5-20A21 | 20  | (20-1)*2.5 | (20+1)*2.5 |



|    |         |               |     |                                    |
|----|---------|---------------|-----|------------------------------------|
| 2  | Contact | Brass         | n*1 | 电镀(锡): 整个表面镀底镍30u"MIN,再镀锡80u".MIN. |
| 1  | Wafer   | PA66(UL94V-0) | 1   | 白色                                 |
| 序号 | 名称      | 材料            | 数量  | 备注                                 |

**厦门市辛译精密电子有限公司**  
**Xiamen XinYi Xyecomm Electronics Co.,Ltd**

|                                      |          |           |  |                                    |           |
|--------------------------------------|----------|-----------|--|------------------------------------|-----------|
| DIMENSION IN mm                      |          | APR. Alex |  | TITLE: WAFER 2.54mm H7.0mm 90° DIP |           |
| TOLERANCE UNLESS OTHERWISE SPECIFIED |          | CHK. Jack |  | DWG NO. XY-XH2.54-NA21             |           |
| .X±0.35                              | X.*±5°   | DRA. Can  |  | PROJ.  CUSTOMER DRAWING            |           |
| .XX±0.25                             | .X.*±3°  | SIZE A4   |  | SCALE 1:1                          | SHEET 1/6 |
| .XXX±0.15                            | .XX.*±1° | REV. A    |  | F-RD-18A                           |           |