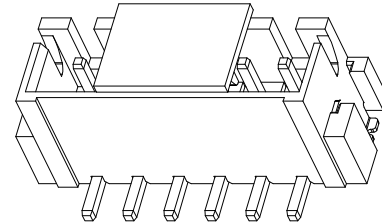
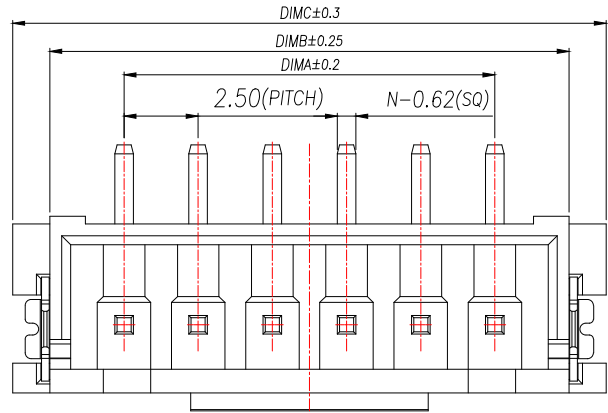
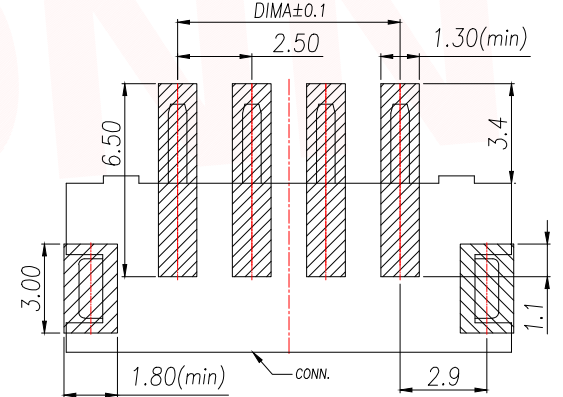
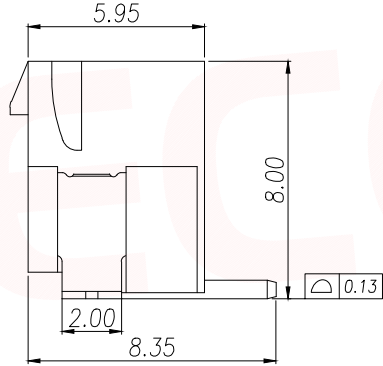
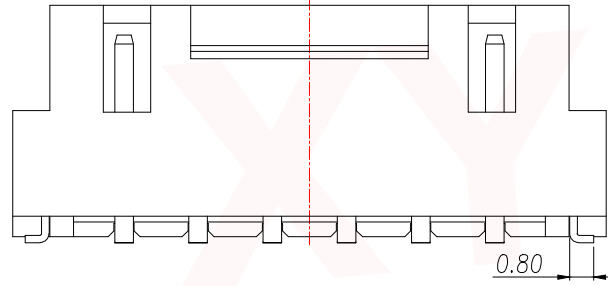


REV.	Q'TY	ECN. NO.	APR.	DATE



PRELIMINARY
DESIGN IS SUBJECT
TO CHANGE WITHOUT
PRIOR NOTICE

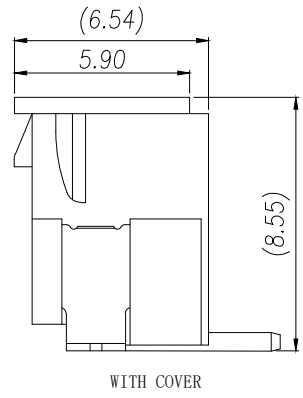
- NOTES:
- Working temp:-25°C~85°C.
 - Voltage rating:250V AV/DC(rms)
 - Contact resistance:20mΩ max.
 - Insulation resistance:1000MΩ min.
 - Current rating:3A AV/DC
 - Withstanding Voltage:1000V AC/minute
 - Pin Retention Force:15N min.
 - Housing material:LCP UL94-V0,Natural
 - Terminal mater:Brass,
plating Ni 50u" min , plating Tin 100u"min.
 - Solder tab material:Brass,
plating Ni 50u" min , plating Tin 100u"min.



RECOMMENDED PCB LAYOUT TOP VIEW (TOLERANCE:±0.05)

▨ SMT SOLDER AREA

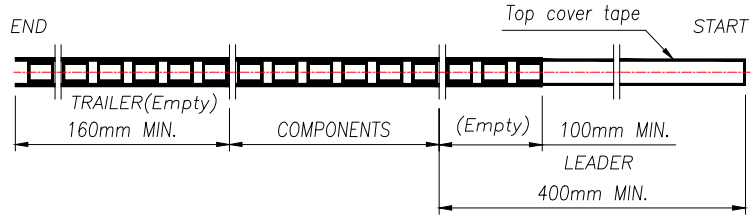
PIN	NO.	Dim A	Dim B	Dim C
2	XY-XHB2.5-2A51	2.50	7.50	10.00
3	XY-XHB2.5-3A51	5.00	10.00	12.50
4	XY-XHB2.5-4A51	7.50	12.50	15.00
5	XY-XHB2.5-5A51	10.00	15.00	17.50
6	XY-XHB2.5-6A51	12.50	17.50	20.00
7	XY-XHB2.5-7A51	15.00	20.00	22.50
8	XY-XHB2.5-8A51	17.50	22.50	25.00
9	XY-XHB2.5-9A51	20.00	25.00	27.50
10	XY-XHB2.5-10A51	22.50	27.50	30.00
11	XY-XHB2.5-11A51	25.00	30.00	32.50
12	XY-XHB2.5-12A51	27.50	32.50	35.00
13	XY-XHB2.5-13A51	30.00	35.00	37.50
14	XY-XHB2.5-14A51	32.50	37.50	40.00
15	XY-XHB2.5-15A51	35.00	40.00	42.50
16	XY-XHB2.5-16A51	37.50	42.50	45.00



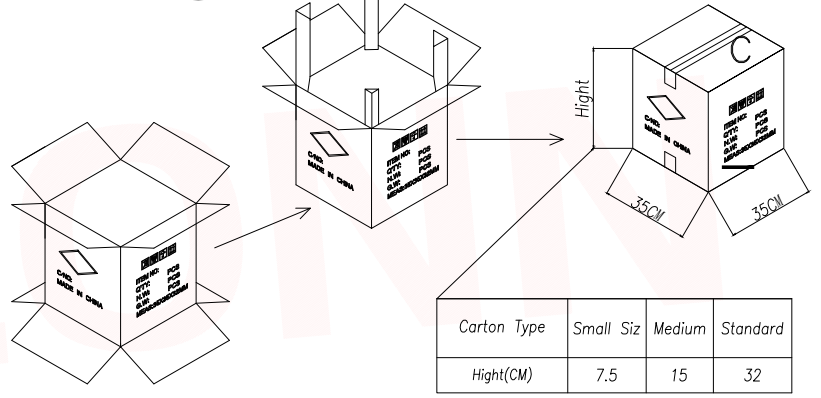
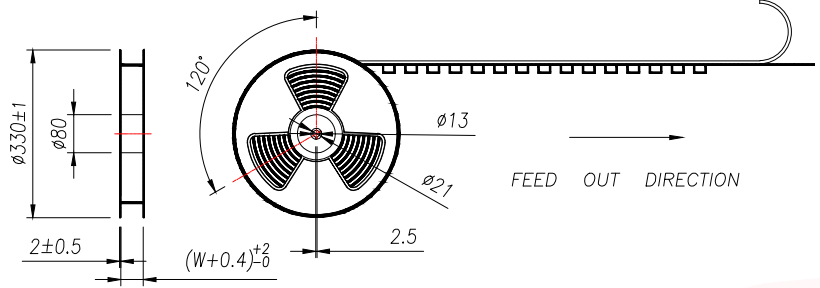
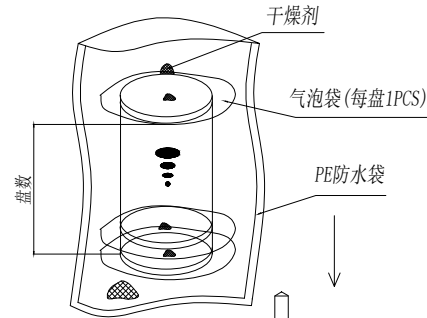
WITH COVER

DIMENSION IN mm		厦门市辛译精密电子有限公司 Xiamen XinYi Xyconn Electronics Co.,Ltd			
TOLERANCE UNLESS OTHERWISE SPECIFIED		APR.	CHK.	DRA.	TITLE:
.X±0.35	X.*± 5°	Alex	Jack	Can	WAFER 2.50mm H8.0mm W/B 180°SMT
.XX±0.25	.X.*± 3°				DWG NO. XY-XHB2.5-NA51
.XXX±0.15	.XX.*± 1°				PROJ. CUSTOMER DRAWING
		SIZE A4	SCALE 1:1	SHEET 1/3	REV. A

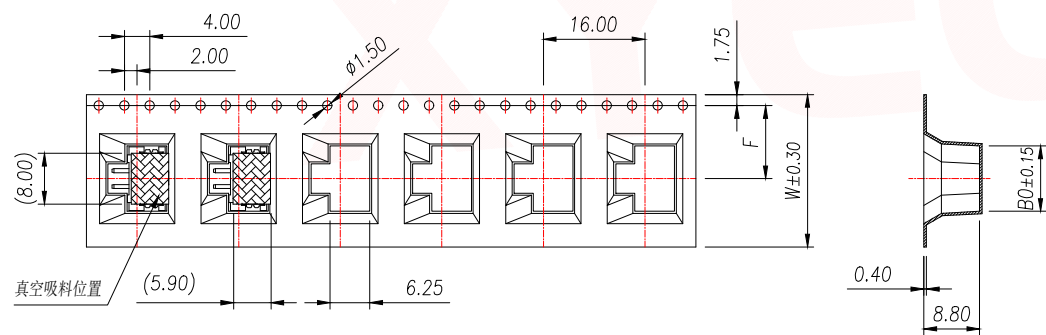
REV.	Q'TY	ECN. NO.	APR.	DATE



PRELIMINARY DESIGN IS SUBJECT TO CHANGE WITHOUT PRIOR NOTICE



Carton Type	Small Siz	Medium	Standard
Hight(CM)	7.5	15	32

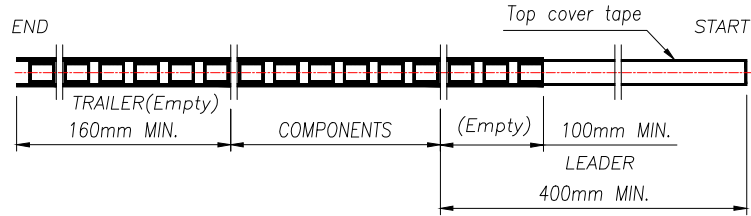


- NOTE:
- 1.10 SPROCKET HOLE PITCH CUMULATIVE TOLERANCE $\pm 0.2\text{mm}$.
 - 2.CARRIER CAMBER NOT TO EXCEED 1mm IN 100mm.
 - 3.ALL DIMENSIONS MEET EIA-481 REQUIREMENTS.
 - 4.MATERIAL: CLEAR ANTISTATIC PS, COLD SEALING.
 - 5.THICKNESS: $0.40 \pm 0.05\text{mm}$.
 - 6.PACKING LENGTH PER REEL: 8.4 METERS.
 - 7.COMPONENT LOAD PER REEL: 500 PCS.

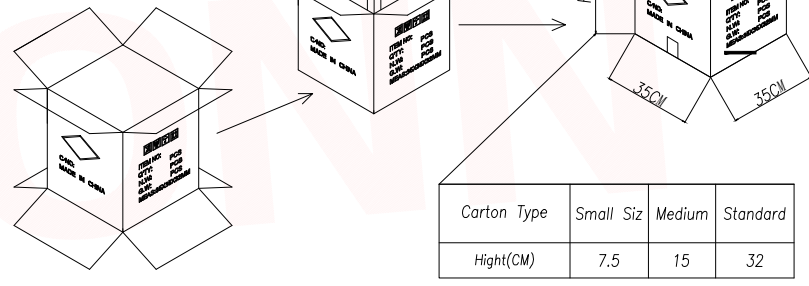
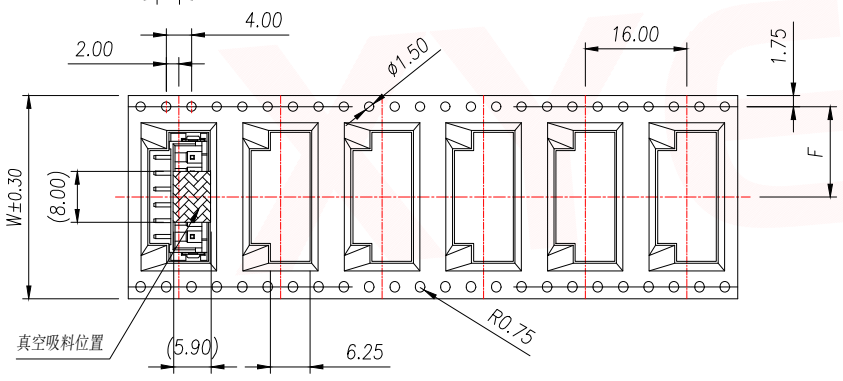
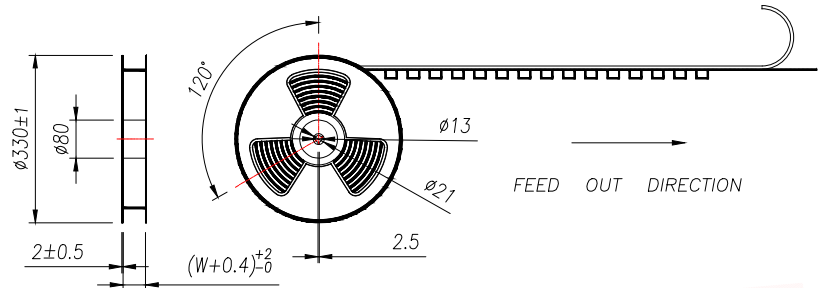
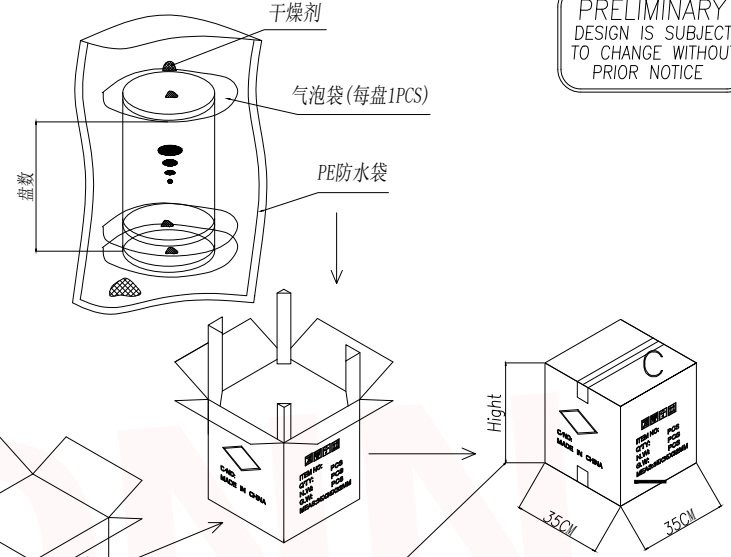
PIN	NO.	Dim BO	Dim W	Dim F	PCS/RELL	RELL/CARTON	PCS/CARTON
2	XY-XHB2.5-2A51	10.30	24.00	11.50	500	10	5000
3	XY-XHB2.5-3A51	12.80					
4	XY-XHB2.5-4A51	15.30					

DIMENSION IN mm		厦门市辛译精密电子有限公司 Xiamen XinYi Xyconn Electronics Co.,Ltd		
TOLERANCE UNLESS OTHERWISE SPECIFIED				
.X \pm 0.35	X.* \pm 5*	APR.	Alex	TITLE: WAFER 2.50mm H8.0mm W/B 180°SMT
.XX \pm 0.25	.X.* \pm 3*	CHK.	Jack	DWG NO. XY-XHB2.5-NA51
.XXX \pm 0.15	.XX.* \pm 1*	DRA.	Can	PROJ. CUSTOMER DRAWING
		SIZE A4	SCALE 1:1	SHEET 2/3 REV. A

REV.	Q'TY	ECN. NO.	APR.	DATE



PRELIMINARY
DESIGN IS SUBJECT
TO CHANGE WITHOUT
PRIOR NOTICE



Carton Type	Small Siz	Medium	Standard
Hight(CM)	7.5	15	32

- NOTE:
- 1.10 SPROCKET HOLE PITCH CUMULATIVE TOLERANCE ±0.2mm.
 - 2.CARRIER CAMBER NOT TO EXCEED 1mm IN 100mm.
 - 3.ALL DIMENSIONS MEET EIA-481 REQUIREMENTS.
 - 4.MATERIAL: CLEAR ANTISTATIC PS, COLD SEALING.
 - 5.THICKNESS: 0.40±0.05mm.
 - 6.PACKING LENGTH PER REEL: 8.4 METERS.
 - 7.COMPONENT LOAD PER REEL: 500 PCS.

PIN	NO.	Dim BO	Dim W	Dim F	PCS/RELL	RELL/CARTON	PCS/CARTON
5	XY-XHB2.5-5A51	17.80	32	14.2	500	8	4000
6	XY-XHB2.5-6A51	20.30					
7	XY-XHB2.5-7A51	22.80	44	20.2		6	3000
8	XY-XHB2.5-8A51	25.30					
9	XY-XHB2.5-9A51	27.80					
10	XY-XHB2.5-10A51	30.30	56	26.2		5	2500
11	XY-XHB2.5-11A51	32.80					
12	XY-XHB2.5-12A51	35.30					

DIMENSION IN mm		<p>厦门市辛译精密电子有限公司 Xiamen XinYi Xyconn Electronics Co.,Ltd</p>			
TOLERANCE UNLESS OTHERWISE SPECIFIED					
.X±0.35	X.*±5°	APR.	Alex	TITLE: WAFER 2.50mm H8.0mm W/B 180°SMT	
.XX±0.25	.X*±3°	CHK.	Jack	DWG NO. XY-XHB2.5-NA51	
.XXX±0.15	.XX*±1°	DRA.	Can	PROJECT: CUSTOMER DRAWING	
SIZE A4	SCALE 1:1	SHEET 3/3	REV. A		