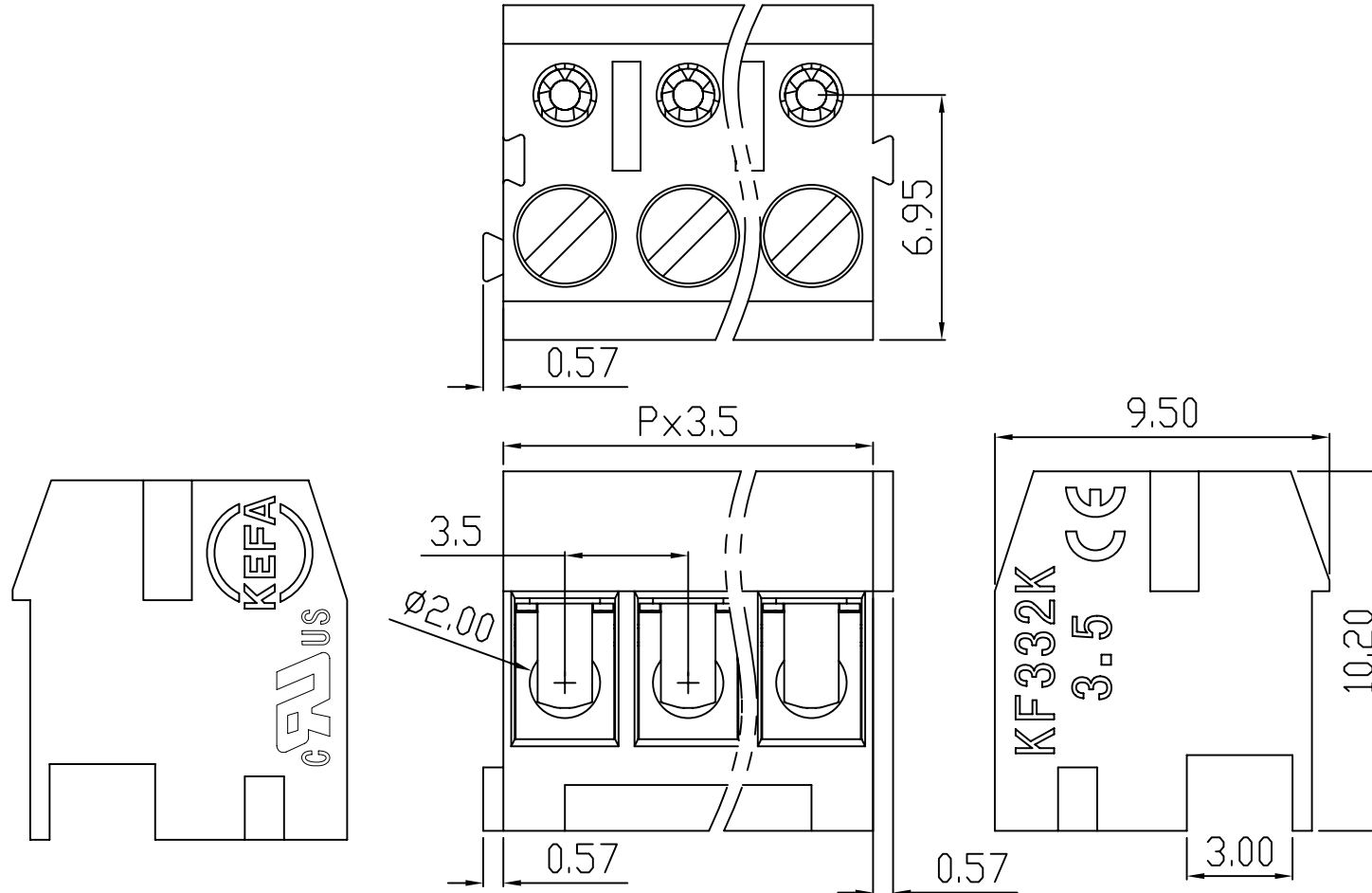


linear dimension(Tolerances Standard GB/T 14486-2008)							—			
variable range	to 6	over 6 to 10	over 10 to 30	over 30 to 60	over 60 to 100	over 100 to 160	over 160 to 10	over 10 to 100	over 100 to 100	
tolerance	±0.20	±0.30	±0.50	±0.70	±1.00	±1.30	±1.60	0.10	0.30	0.60

REVISION RECORD				
REV.	DESCRIPTION	ECN No.	APPROVED	DATE
A	新发行		CLF	21.03.13



UL/CUL 技术参数							
UL/CUL Technical Data							
等级	Use Group	B	C	D			
额定电压	Rated Voltage [V]	300	-	300			
额定电流	Rated Current [A]	8	-	10			
接线范围	Wire Range	28-16					
单/多芯线	Solid/Stranded [AWG]						
耐电压	Withstanding Voltage	1600V/1Min					
IEC 技术参数							
IEC Technical Data							
过电压类别	Overtoltage Category	III	III	II			
污染等级	Contamination Class	3	2	2			
额定电压	Rated Voltage [V]	160	200	400			
额定电流	Rated Current [A]	10	10	10			
额定冲击电压	Impulse withstand voltagea [KV]	2.5	2.5	4.0			
导线截面积	Conductor cross section	1.5					
硬质/柔性导线	Solid/flexible [mm ²]						
材料				Material			
绝缘材料	Insulation Material	PA66					
阻燃等级	Imflamability	UL94V-0					
导体材料	Contactior Material	铜合金 Copper alloy					
导体表面镀层	Contactive Coating	镀镍 Ni Plated					
一般参数				Other Data			
间距	Pitch [mm]	3.5					
极数	Poles [P]	2-24					
剥线长度	Stripping Length [mm]	5-6					
螺丝	Screw/扭矩 Torque(Max) [N.m]	M2.0/0.2					
工作温度	Operating temperatur [°C]	-40~+105					
引针尺寸	Pin Dimensions [mm]	-					
PCB板孔径	PCB Hole Diameter [mm]	-					

DES.	LQQ	DATE	21.03.13	单位 / UNITS	mm	尺寸 / SIZE	A4	比例 / SCALE	1:1	第三视角 / THIRD ANGLE PROJECTION	版本 / REV	A
CHK.	SY	DATE	21.03.13	慈溪市科发电子有限公司 CIXI KEFA ELECTRONIC CO., LTD				名称 / TITLE	KF332K-3.5			
APP.	CLF	DATE	21.03.13									