

Specifications

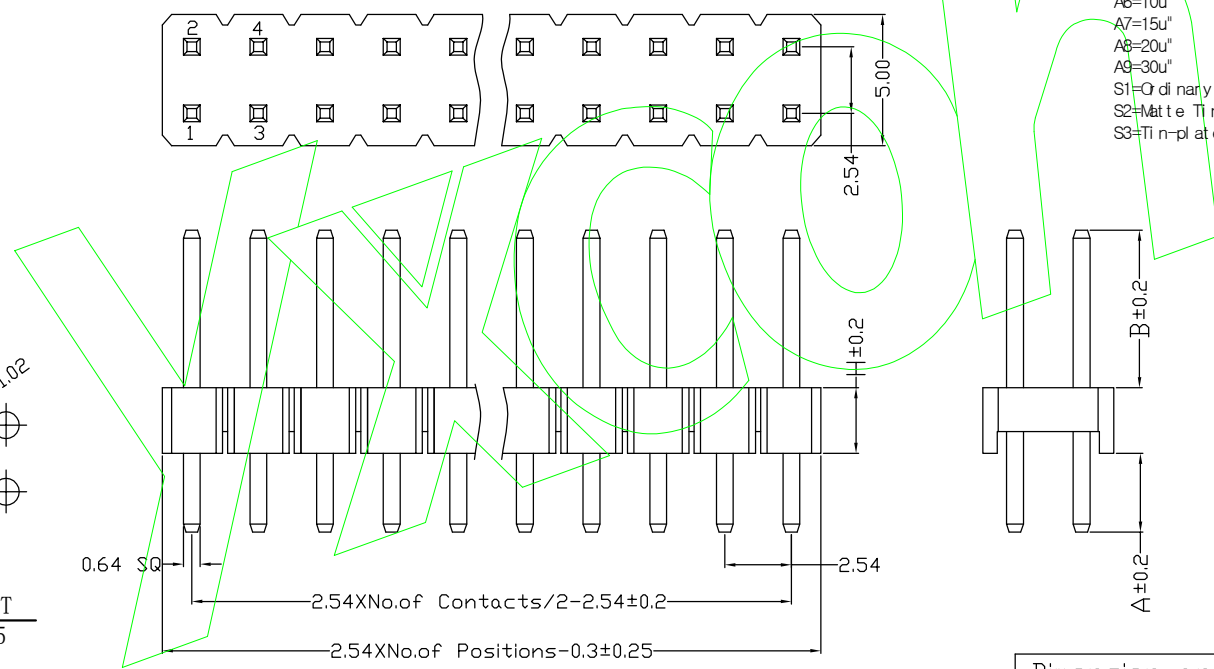
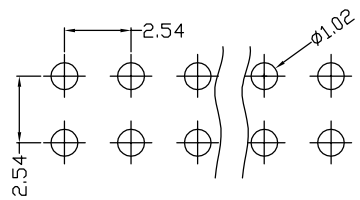
备注 (Remark)
 1. 材料 (MATERIAL)
 胶芯: PA6T+30%G.F UL94V-0, 颜色: 黑色.
 Housing: PA6T+30%G.F UL94V-0, Color: Black
 四方针: 黄铜, 镍底30u", 表面镀金0.8u"
 Contact: Brass, 0.8u" GOLD PLATING OVER ALL
 30u" NICKEL UNDERPLATING OVER ALL

2. 特性 (characteristics):
 额定电流: 3 AMP
 Raring Current: 3 AMP.
 接触阻抗: 20 mΩ MAX.
 Contact Resistance: 20 mΩ MAX.
 绝缘阻抗: 1000 MΩ MIN.
 Insulating Resistance: 1000 MΩ MIN.
 耐电压: AC 500V/分钟.
 Withstanding Voltage: AC 500V/Minute.
 温度范围: -40° C to +105° C
 Temperature Range: -40° C to +105° C

Ordering Information

P1XX-12 XX XX X S XXX X 1

HEIGHT OF HOUSING	NO. OF PINS PER ROW	Contact Full Cf Gold	Plating Semi-gold	INSULATOR MATERIAL:	LENGTH OF TERMINAL	PACKING:
15: 1.5mm	2-40P	A0=0.8u"	B0=0.8U"	A: PBT		A: PE Bag
17: 1.7mm		A1=1u"	B1=1U"	B: PA6T		B: Tape & Reel
20: 2.0mm		A2=1.5u"	B2=1.5U"	C: PA9T		C: Tube
25: 2.54mm		A3=2u"	B3=2U"	D: LCP		D: Tube+CAP
30: 3.0mm		A4=3u"	B4=3U"			E: Tray
		A5=5u"	B5=5U"			
		A6=10u"	B6=10U"			
		A7=15u"	B7=15U"			
		A8=20u"	B8=20U"			
		A9=30u"	B9=30U"			
		S1=Ordinary Tin Plated				
		S2=Matte Tin Plated				
		S3=Tin-plated High-temperature				



ITEM	A	B	H		C
Standard	3.0	6.0	1.5	1.7	2.0, 2.54
Alternate					

REV			DATE			SYMBOL			MODIFICATION DESCRIPTION			OPERATION		SCALE		Fit		东莞市宇熙精密连接器有限公司 www.yxcon.com Dongguan Yuxi Electronic Co.,Ltd.						
									X.X ±0.25		UNIT		MM		SIZE		DESIGN		周芳杰 2021.6.18		PART NO		P1XX-12XXXXXXX1	
									X.XX ±0.20		SIZE		A4		CHECK						TITLE		2.54间距 双排针 单塑 180度	
									X.XXX ±0.10		SHEET		1/1		APPROVE						Customer No.			
									Angle ±3°		PRQJ.		APPROVE											
									DIM TOL															

由 Autodesk 教育版产品制作