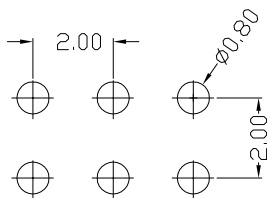
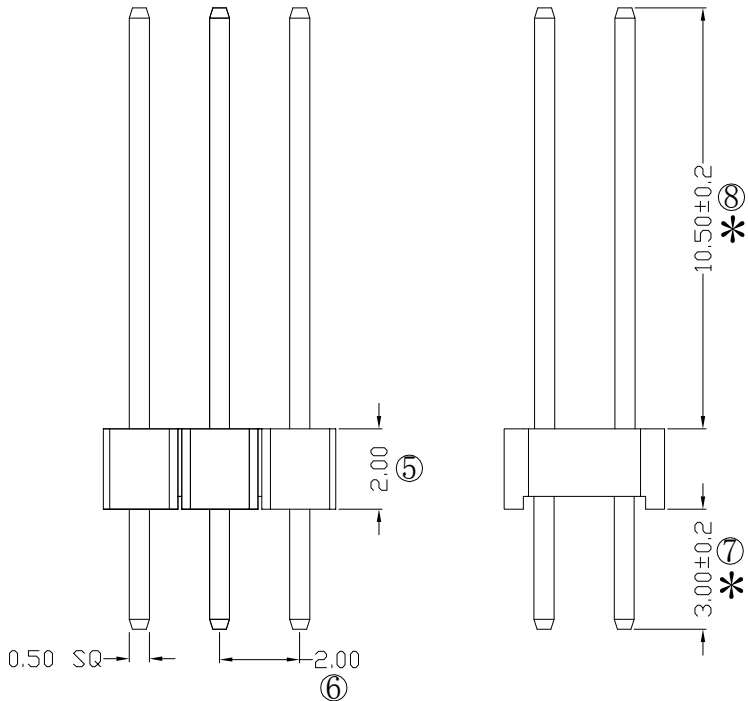
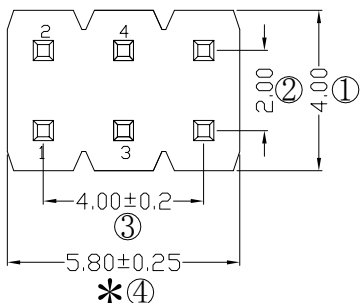


Specifications

备注 (Remark)
 1. 材料 (MATERIAL)
 胶芯: PA6T+30%G.F UL94V-0, 颜色: 黑色.
 Housing: PA6T+30%G.F UL94V-0, Color: Black
 四方针: 黄铜, 镍底30u"MIN, 表面镀普金
 Contact: Brass, GOLD PLATING OVER ALL
 30u" MIN NICKEL UNDERPLATING OVER ALL

2. 特性 (characteristics):
 额定电流: 2 AMP
 Rating Current: 2 AMP.
 接触阻抗: 20 mΩ MAX.
 Contact Resistance: 20 mΩ MAX.
 绝缘阻抗: 1000 MΩ MIN.
 Insulating Resistance: 1000 MΩ MIN.
 耐电压: AC 500V/分钟.
 Withstanding Voltage: AC 500V/Minute.
 温度范围: -40° C to +105° C
 Temperature Range: -40° C to +105° C



Ordering Information

P220-12 03 A0 B S 155 A 1

HEIGHT OF HOUSING	NO. OF PINS PER ROW	CONTACT FULL OF GOLD	CONTACT PLATING	CONTACT SERIAL-GOLD	INSULATOR MATERIAL	LENGTH OF TERMINAL	PACKING
10: 1.0mm	2-40P	A0=0.8u"	B0=0.8u"	B PA6T	C	A: PE Bag	
15: 1.5mm		A1=1u"	B1=1U"	C PA6T	D	B: Tape & Peel	
20: 2.0mm		A2=1.5u"	B2=1.5U"	D LCP		C: Tube	
		A3=2u"	B3=2U"			D: Tube+OAP	
		A4=3u"	B4=3U"			E: Tray	
		A5=5u"	B5=5U"				
		A6=10u"	B6=10U"				
		A7=15u"	B7=15U"				
		A8=20u"	B8=20U"				
		A9=30u"	B9=30U"				
				S1=Ordinary Tin Plated			
				S2= Matte Tin Plated			
				S3= Tin-plated High-temperature			

RoHS COMPLIANT

客编: K1031

注意事项
 1. 带*为品质重点检验尺寸
 2. DIP端不能有毛边

			OPERATION	SCALE	Fit	Yxcon 东莞市宇熙精密连接器有限公司			
			X.X ±0.25	UNIT	MM	Dongguan Yuxi Electronic Co., Ltd.			
			X.XX ±0.20	SIZE	A4	DESIGN	刘伟 2021.04.02	PART NO.	P220-1203A0BS155A1
			X.XXX ±0.10	SHEET	1/1	CHECK		TITLE:	2.0排针 2*3P L=15.5/3.0 180度 DIP端不能有毛边 PA6T 镀普金
REV	DATE	SYMBOL	MODIFICATION DESCRIPTION	ANGLE ±3°	PROJ.	APPROVE		Customer No.	
				DIM TOL					
A0	2021.04.02	/	新版发行						