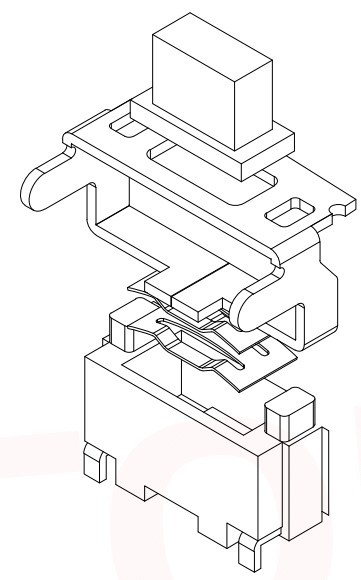
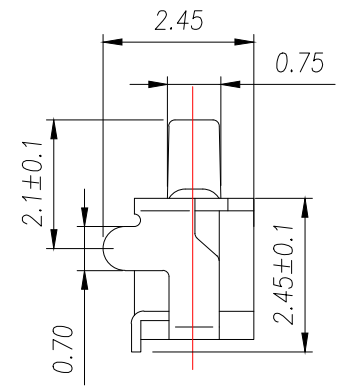
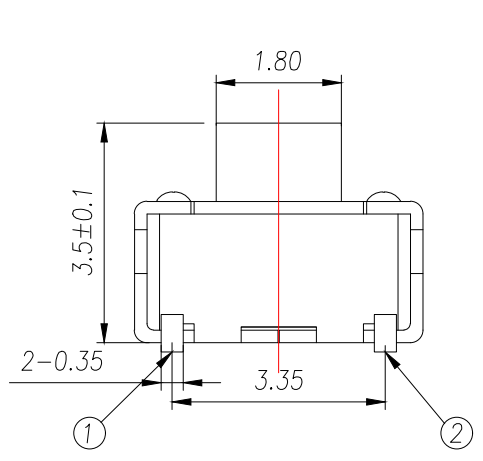
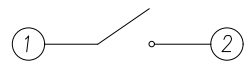
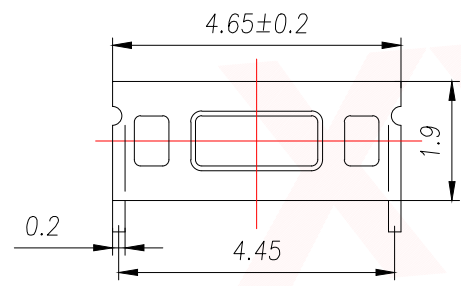


REV.	Q'TY	ECN. NO.	APR.	DATE

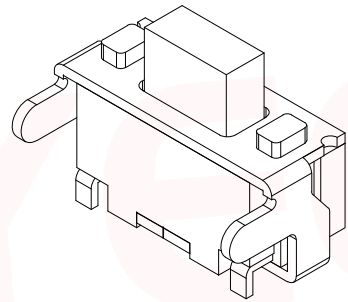


The Main Thchnology Performance

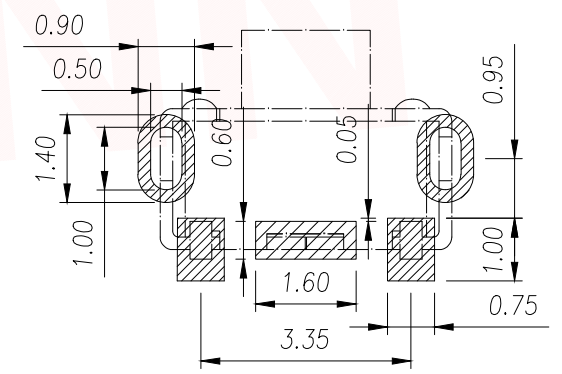
Rate voltage,current	50mA DC12V
Contact resistance	≤100mΩ
Operating force	±30gf
Travel	0.20±0.10mm
Insulated resistance	≥100MΩ
Dielectric strength	≥250VAC/1min



CIRCUIT DIAGRAM



ITEM	DESCRIPTION	MATERIAL	QTY	FINSH/COLOR
E	按钮	LCP	1	黑色
D	盖板	黄铜	1	镀银
C	弹片	不锈钢	1	镀银
B	本体	LCP	1	白色
A	卡件	黄铜	1	镀银



PCB.WELDING DRAWING

T S C O 1 - T B W O

力度: F: 250G E: 180G
高度: H3.5

DIMENSION IN mm		TOLERANCE UNLESS OTHERWISE SPECIFIED		厦门市辛译精密电子有限公司 Xiamen XinYi Xyecomm Electronics Co.,Ltd			
.X±0.35	X.*± 5°	APR.	Alex	TITLE: 2x4 SMD TACT SWITCH			
.XX±0.25	.X*± 3°	CHK.	Jack	DWG NO. TSC01-TBWOFH3.5			
.XXX±0.15	.XX*± 1°	DRA.	Can	PROJ.		CUSTOMER DRAWING	
		SIZE	A4	SCALE	1:1	SHEET	1/1
				REV.	A		