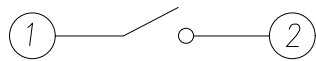
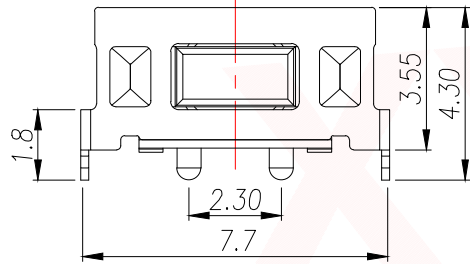
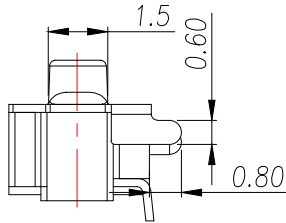
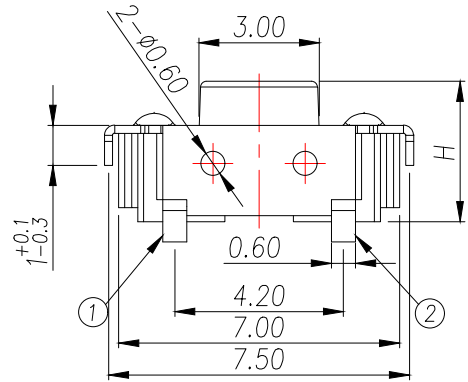
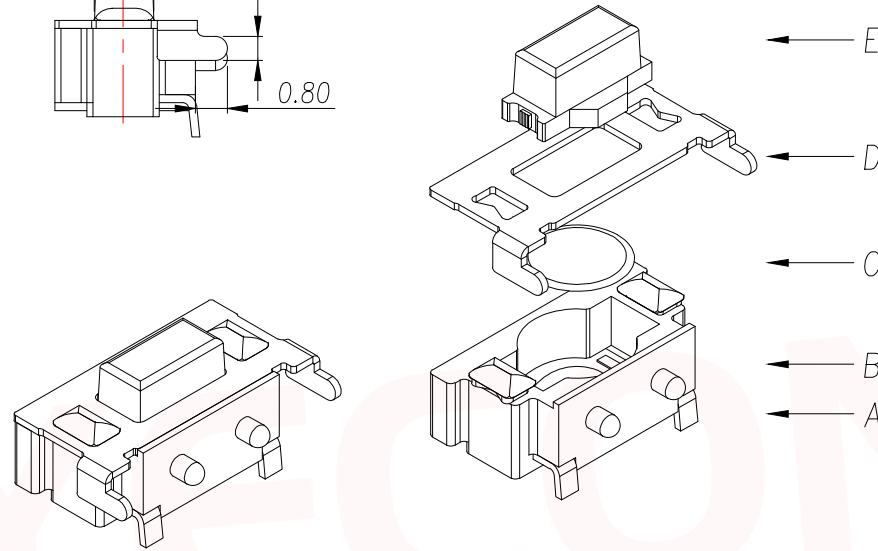


REV.	Q'TY	ECN. NO.	APR.	DATE



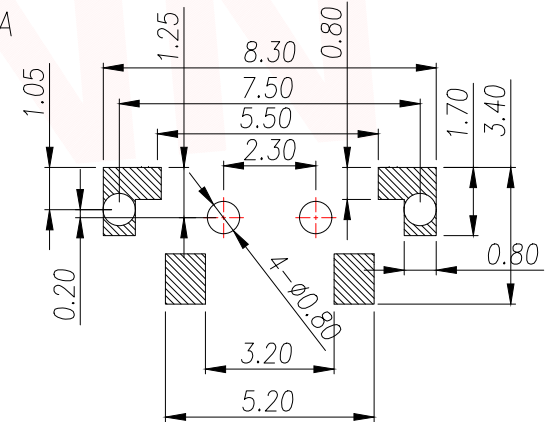
CIRCUIT DIAGRAM



E	按钮	PPA	1	白/黑色
D	盖板	黄铜	1	镀银
C	弹片	不锈钢	1	镀银
B	本体	PPA	1	白/黑色
A	卡件	黄铜	1	镀银
ITEM	DESCRIPTION	MATERIAL	QTY	FINSH/COLOR

The Main Thchnology Performance

Rate voltage,current	50mA DC12V
Contact resistance	≤100mΩ
Operating force	±30gf
Travel	0.20±0.10mm
Insulated resistance	≥100MΩ
Dielectric strength	≥250VAC/1min



PCB.WELDING DRAWING

T S C O 2 - T D W O

力度: F: 250G E: 180G
高度: H3.5

DIMENSION IN mm		厦门市辛译精密电子有限公司 Xiamen XinYi Xyeconn Electronics Co.,Ltd			
TOLERANCE UNLESS OTHERWISE SPECIFIED		APR.	Alex	TITLE: 3x6 SMD TACT SWITCH	
.X±0.35	X.*± 5*	CHK.	Jack	DWG NO. TSC02-TDWOFH3.5	
.XX±0.25	.X*± 3*	DRA.	Can	PROJ. CUSTOMER DRAWING	
.XXX±0.15	.XX*± 1*	SIZE	A4	SCALE	1:1
		SHEET	1/1	REV.	A