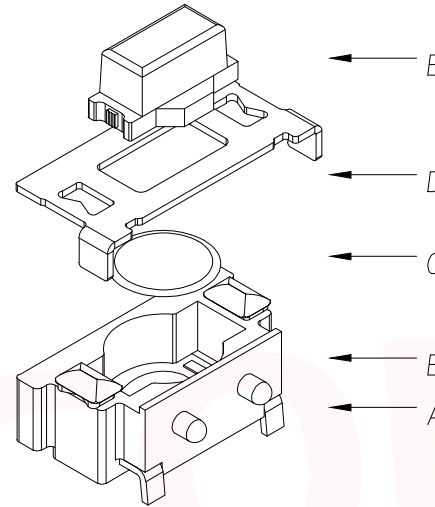
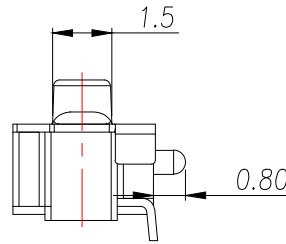
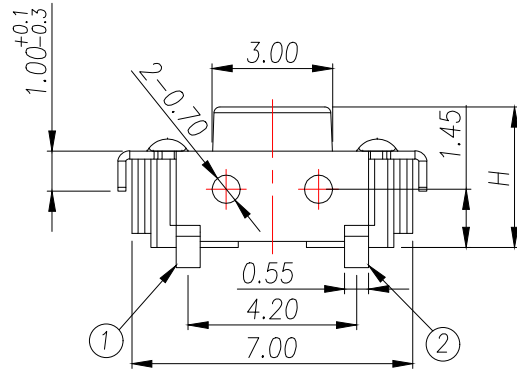
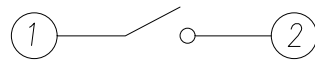
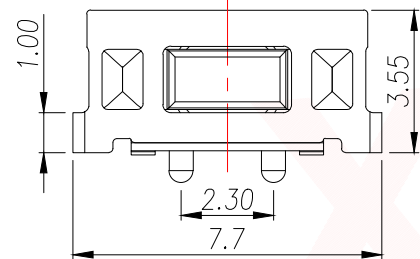


REV.	Q'TY	ECN. NO.	APR.	DATE



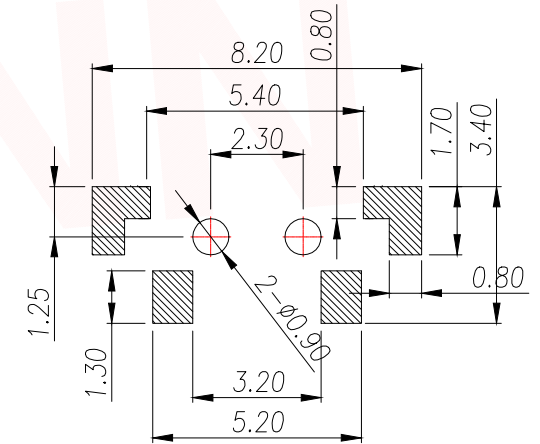
The Main Thchnology Performance

Rate voltage,current	50mA DC12V
Contact resistance	≤100mΩ
Operating force	±30gf
Travel	0.20±0.10mm
Insulated resistance	>100MΩ
Dielectric strength	>250VAC/1min



CIRCUIT DIAGRAM

ITEM	DESCRIPTION	MATERIAL	QTY	FINSH/COLOR
E	按钮	PPA	1	白/黑色
D	盖板	黄铜	1	镀银
C	弹片	不锈钢	1	镀银
B	本体	PPA	1	白/黑色
A	卡件	黄铜	1	镀银



PCB.WELDING DRAWING

T S C O 2 - T D W 1

力度: F: 250G E: 180G
高度: H3.5

DIMENSION IN mm		厦门市辛译精密电子有限公司 Xiamen XinYi Xyconn Electronics Co.,Ltd	
TOLERANCE UNLESS OTHERWISE SPECIFIED			
.X±0.35	X.*± 5°	APR. Alex	TITLE: 3x6 SMD TACT SWITCH
.XX±0.25	.X.*± 3°	CHK. Jack	DWG NO. TSC02-TDW1EH3.5
.XXX±0.15	.XX.*± 1°	DRA. Can	PROJ. CUSTOMER DRAWING
		SIZE A4	SCALE 1:1
		SHEET 1/1	REV. A