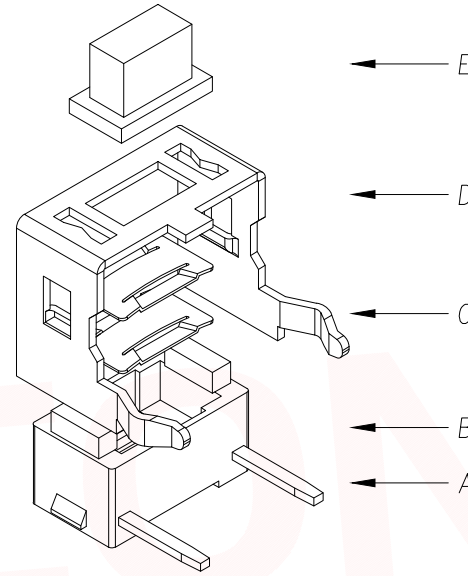
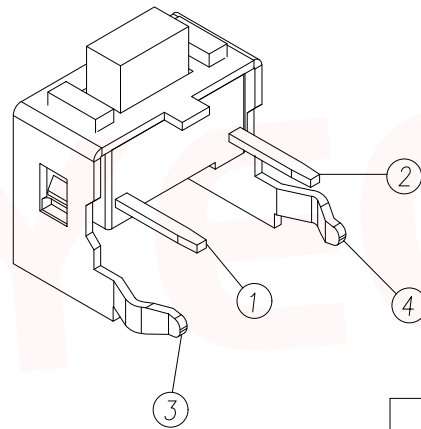
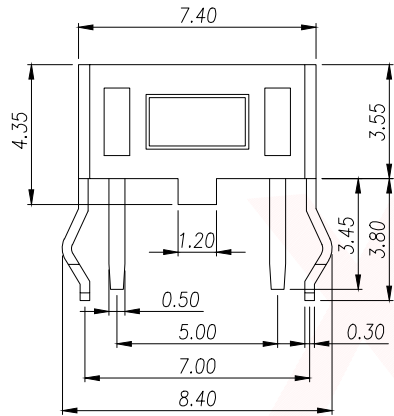
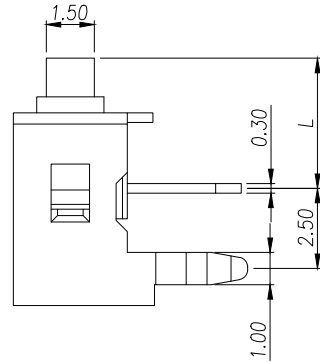
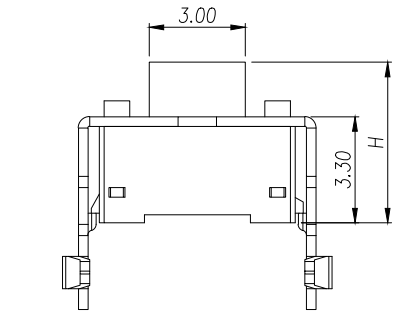
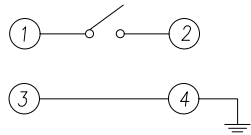


REV.	Q'TY	ECN. NO.	APR.	DATE



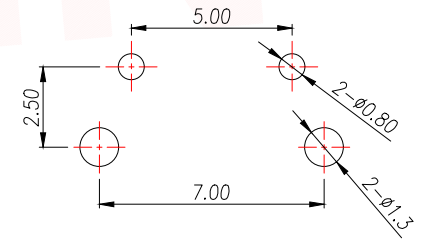
The Main Thchnology Performance

Rate voltage.current	50mA DC12V
Contact resistance	≤100mΩ
Operating force	±30gf
Travel	0.20±0.10mm
Insulated resistance	>100MΩ
Dielectric strength	>250VAC/1min



CIRCUIT DIAGRAM

ITEM	DESCRIPTION	MATERIAL	QTY	FINSH/COLOR
E	按钮	PPA	1	白/黑色
D	盖板	铁盖板	1	镀铜锡
C	弹片	不锈钢	1	镀银
B	本体	PPA	1	白/黑色
A	卡件	黄铜	1	镀银



PCB.WELDING DRAWING

T S O 2 - C B W O

力度: F: 250G E: 180G
 高度: H4.3 H4.5

H
4.3
4.5
4.8
5.3
5.5

DIMENSION IN mm		厦门市辛译精密电子有限公司 Xiamen XinYi Xyecomm Electronics Co.,Ltd	
TOLERANCE UNLESS OTHERWISE SPECIFIED		APR. Alex	TITLE: 3x6 DIP TACT SWITCH
.X±0.35	X.*± 5*	CHK. Jack	DWG NO. TS02-CBWO FHX
.XX±0.25	.X*± 3*	DRA. Can	PROJ. CUSTOMER DRAWING
.XXX±0.15	.XX*± 1*	SIZE A4	SCALE 1:1 SHEET 1/1 REV. A