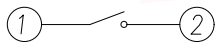
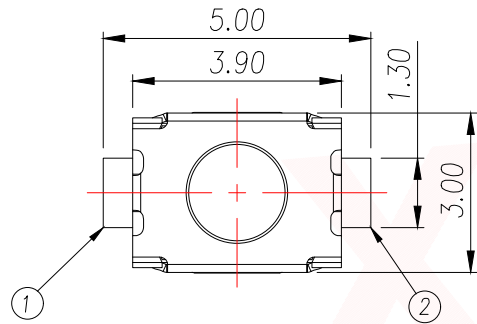
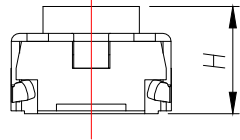
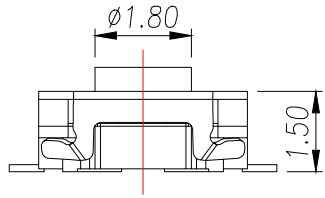
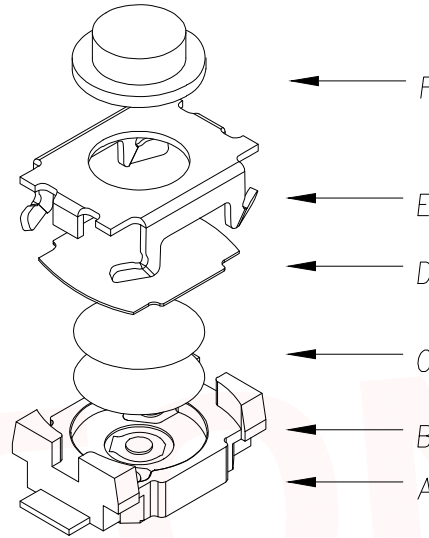
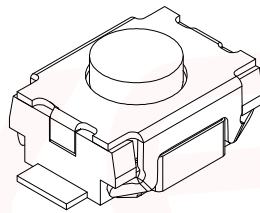


REV.	Q'TY	ECN. NO.	APR.	DATE



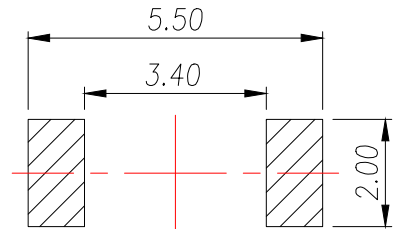
CIRCUIT DIAGRAM



ITEM	DESCRIPTION	MATERIAL	QTY	FINISH/COLOR
F	按钮	LCP	1	黑色
E	盖板	不锈钢	1	清洗
D	防尘胶	聚酰亚胺	1	橙黄色
C	弹片	不锈钢	2	镀银
B	本体	LCP	1	黑色
A	卡件	磷铜	1	镀银

The Main Thchnology Performance

Rate voltage,current	50mA DC12V
Contact resistance	≤100mΩ
Operating force	±30gf
Travel	0.20±0.10mm
Insulated resistance	≥100MΩ
Dielectric strength	≥250VAC/1min



PCB.WELDING DRAWING

T S O 5 - T B W 1

力度: 高度:
 F: 250G H1.8
 E: 180G H2.0
 H2.5

DIMENSION IN mm		TOLERANCE UNLESS OTHERWISE SPECIFIED		厦门市辛译精密电子有限公司 Xiamen XinYi Xyconn Electronics Co.,Ltd	
.X±0.35	X.*± 5°	APR.	Alex	TITLE: 3x6 SMD TACT SWITCH	
.XX±0.25	.X.*± 3°	CHK.	Jack	DWG NO. TS05-TBW1FHX	
.XXX±0.15	.XX.*± 1°	DRA.	Can	PROJ. CUSTOMER DRAWING	
		SIZE	A4	SCALE	1:1
		SHEET	1/1	REV.	A