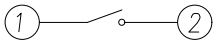
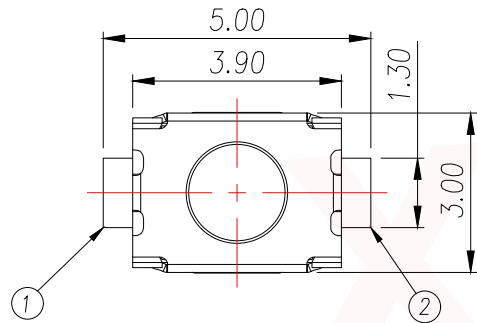
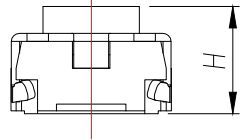
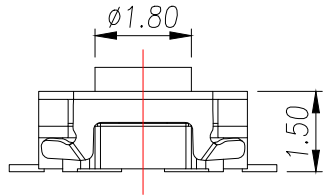
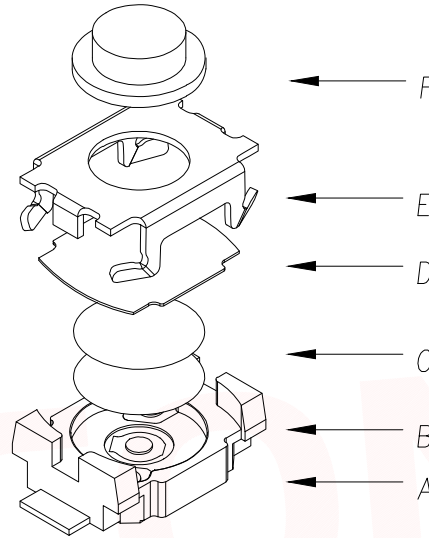
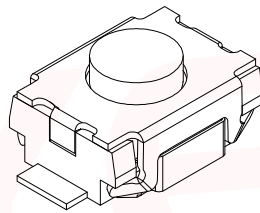


REV.	Q'TY	ECN. NO.	APR.	DATE



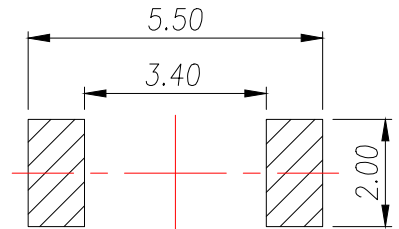
CIRCUIT DIAGRAM



F	按钮	LCP	1	黑色
E	盖板	不锈钢	1	清洗
D	防尘胶	聚酰胺胶	1	橙黄色
C	弹片	不锈钢	2	镀银
B	本体	LCP	1	黑色
A	卡件	磷铜	1	镀银
ITEM	DESCRIPTION	MATERIAL	QTY	FINISH/COLOR

The Main Thchnology Performance

Rate voltage,current	50mA DC12V
Contact resistance	<100mΩ
Operating force	±30gf
Travel	0.20±0.10mm
Insulated resistance	>100MΩ
Dielectric strength	≥250VAC/1min



PCB.WELDING DRAWING

T S O 5 - T B W 1

力度: F: 250G E: 180G
 高度: H1.8 H2.0 H2.5

DIMENSION IN mm		厦门市辛译精密电子有限公司 Xiamen XinYi Xyconn Electronics Co.,Ltd	
TOLERANCE UNLESS OTHERWISE SPECIFIED		APR. Alex	TITLE: 3x6 SMD TACT SWITCH
.X±0.35	X.*± 5*	CHK. Jack	DWG NO. TS05-TBW1EHX
.XX±0.25	.X.*± 3*	DRA. Can	PROJ. CUSTOMER DRAWING
.XXX±0.15	.XX.*± 1*	SIZE A4	SCALE 1:1 SHEET 1/1 REV. A