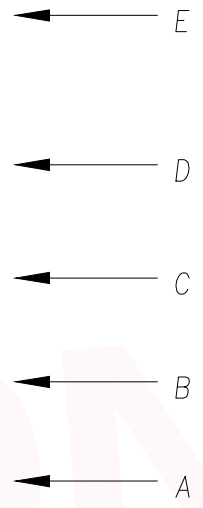
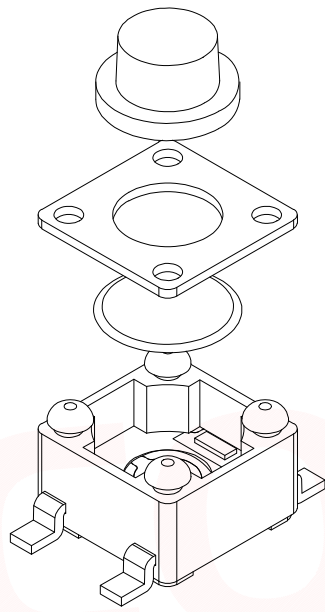
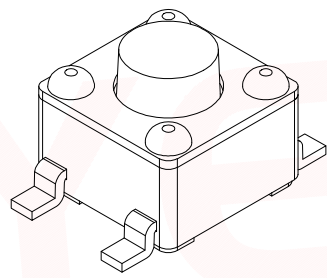
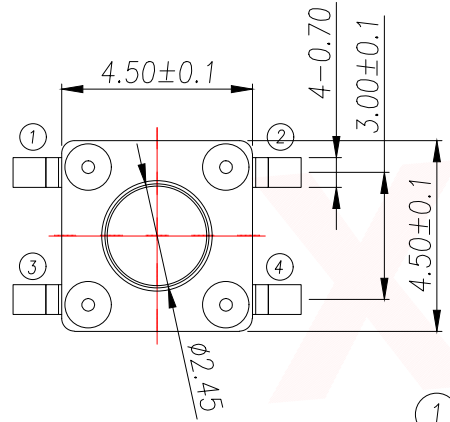
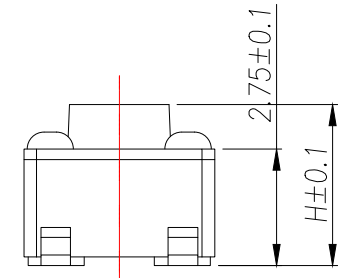
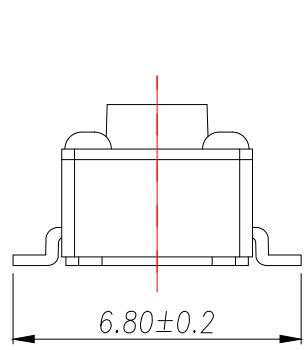
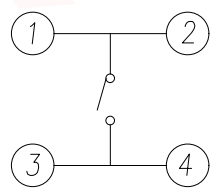


REV.	Q'TY	ECN. NO.	APR.	DATE



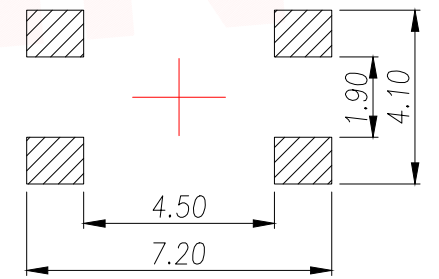
The Main Thchnology Performance

Rate voltage,current	50mA DC12V
Contact resistance	≤100mΩ
Operating force	±30gf
Travel	0.20±0.10mm
Insulated resistance	>100MΩ
Dielectric strength	>250VAC/1min



CIRCUIT DIAGRAM

E	按钮	PPA	1	黑色
D	盖板	铁盖板	1	镀锡
C	弹片	不锈钢	1	镀银
B	本体	PPA	1	黑色
A	卡件	黄铜	1	镀银
ITEM	DESCRIPTION	MATERIAL	QTY	FINSH/COLOR



PCB.WELDING DRAWING

T S O 1 O - T B W 1

力度: F: 250G E: 180G  
 高度: H3.5 H3.8  
 .....

H	H	H
3.5	5.5	8.0
3.8	6.0	8.5
4.3	6.5	9.0
4.5	7.0	9.5
5.0	7.5	10.0

DIMENSION IN mm	
TOLERANCE UNLESS OTHERWISE SPECIFIED	
.X±0.35	X.*± 5°
.XX±0.25	.X.*± 3°
.XXX±0.15	.XX.*± 1°

厦门市辛译精密电子有限公司  
 Xiamen XinYi Xyecomm Electronics Co.,Ltd

APR. Alex	TITLE: 4.5x4.5 SMD TACT SWITCH
CHK. Jack	DWG NO. TS010-TBW1FHX
DRA. Can	PROJ.  CUSTOMER DRAWING
SIZE A4	SCALE 1:1 SHEET 1/1 REV. A