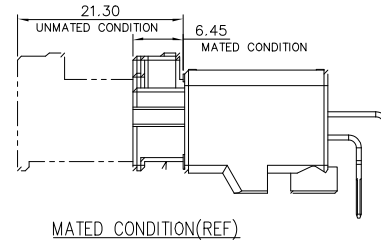
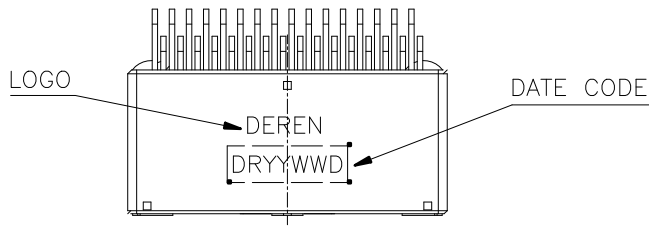
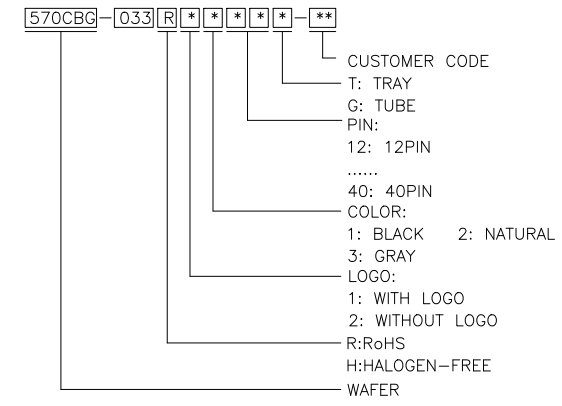
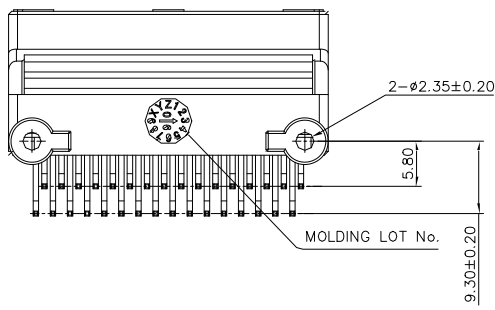
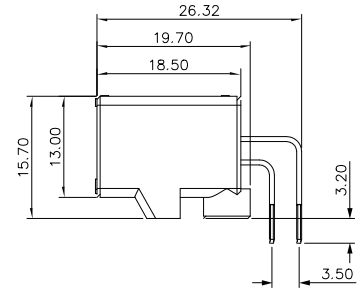
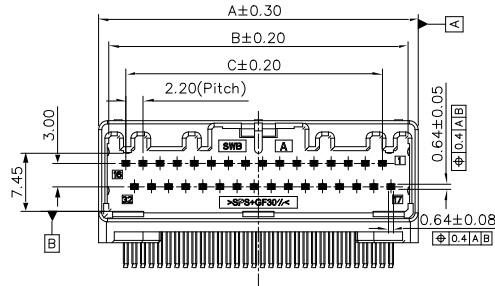


REV.	ECN NO.	LOCATION	DESCRIPTION	DATE	DESIGN
1			INITIAL RELEASE	2023.03.14	Yy_D



- NOTES:
- PRODUCT MEETS CONTROLLED SUBSTANCES SPEC. ROHS 2.0
- MATERIAL:
    - HOUSING: SPS, UL94V-0; COLOR: BLACK.
    - CONTACT: BRASS.
  - FINISH:
    - CONTACT: 100u"MIN. TIN PLATING ON SOLDER TAIL AREA. 50u", NICKEL UNDERPLATING OVERALL.
  - ELECTRICAL SPECIFICATION:
    - VOLTAGE RATING: 50V MAX. AC/DC.
    - CURRENT RATING: 3A MAX. AC/DC.
    - WITHSTANDING VOLTAGE: 1000V AC/MINUTE.
    - TEMPERATURE RANGE: -40°C~+125°C
    - INSULATION RESISTANCE: 1000MΩ.
    - CONTACT RESISTANCE: <math>\leq 5M\Omega</math> MAX.AFTER ENVIRONMENT TESTING:<math>\leq 10M\Omega</math>



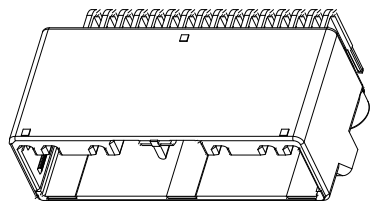
Poles	Dimensions (mm)		
	A	B	C
2*06	19.10	16.50	11.00
2*08	23.50	20.90	15.40
2*10	27.90	25.30	19.80
2*12	32.30	29.70	24.20
2*14	36.70	34.10	28.60
2*16	41.10	38.50	33.00
2*18	45.50	43.00	37.40
2*20	49.90	47.40	41.80

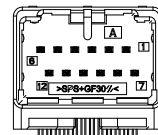
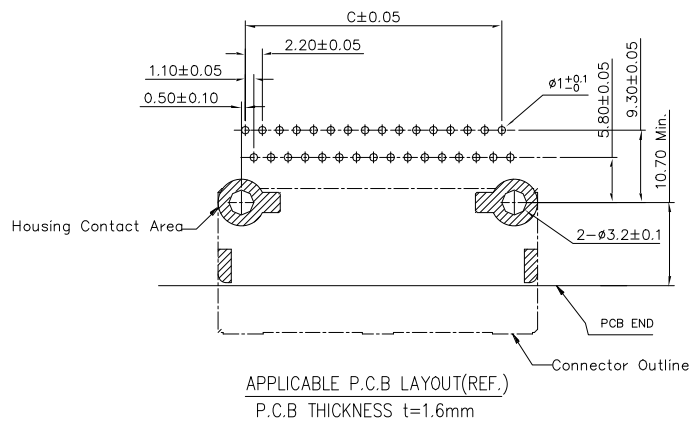
DIM	TOL	DIM	TOL
x.	±0.35	x.	±2'
.x	±0.30		
.xx	±0.25		

**DEREN**

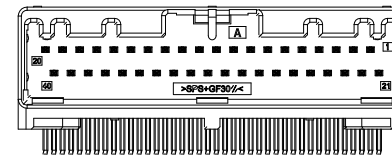
SHENZHEN DEREN ELECTRONIC CO., LTD

DRAW NO.	***	CUSTOMER DRAWING	DATE	TITLE: WAFER 2.20PH 13H R/A DIP CONN
		DESIGN: Yy_D	2023.03.14	P/N:SEE TABLE
REV.	1	CHECK:		SHEET: 1/3
APPROVAL:				SCALE: 1:1 UNIT: mm

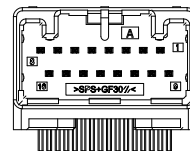




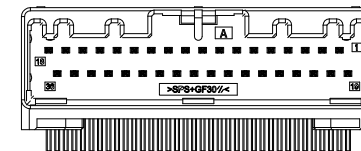
2\*06PIN



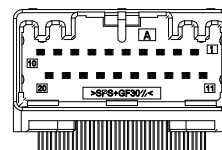
2\*20PIN



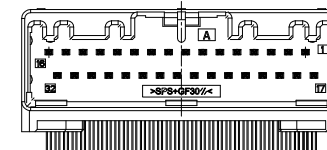
2\*08PIN



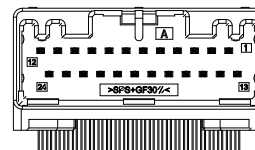
2\*18PIN



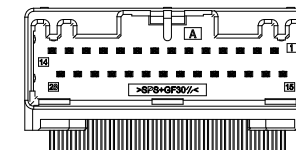
2\*10PIN



2\*16PIN



2\*12PIN



2\*14PIN



**DEREN**  
SHENZHEN DEREN ELECTRONIC CO., LTD

DIM	TOL	DIM	TOL
x.	$\pm 0.35$	x.	$\pm 2'$
.x	$\pm 0.30$		
.xx	$\pm 0.25$		

DRAW NO.

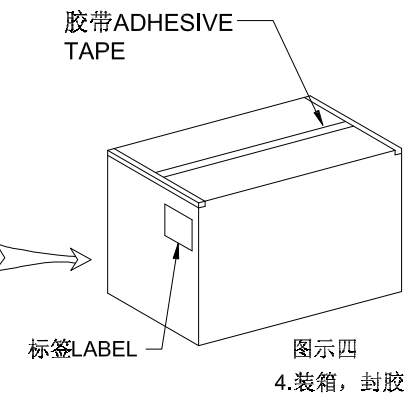
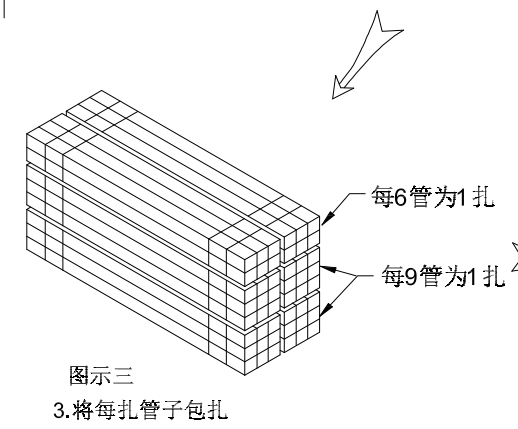
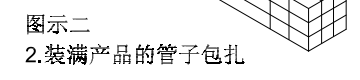
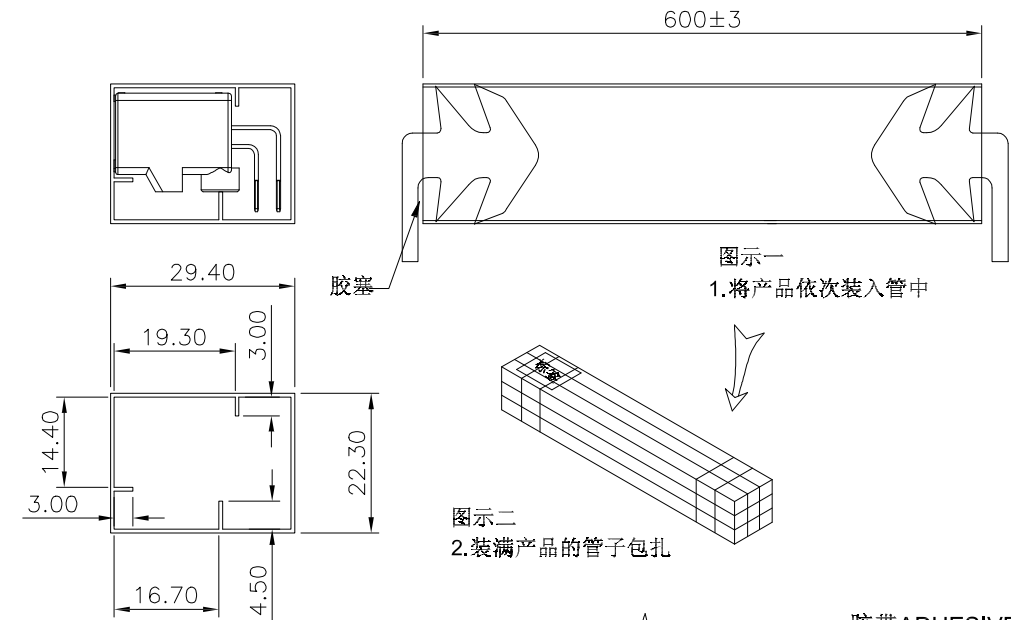
\*\*\*

REV.

1

CUSTOMER DRAWING		DATE
DESIGN:	yy_D	2023.03.14
CHECK:		
APPROVAL:		

TITLE: WAFER 2.20PH 13H R/A DIP CONN		
P/N: SEE TABLE		
SHEET:	2/3	
SCALE:	1:1	UNIT: mm



说明:

- 1.将产品依图示方向放入真空管内, 方向须一致, 每个真空管放的产品数量依Pin数不同而不同, 具体详见包装明细表, 真空管两头用胶塞塞住, 如图示一。
- 2.将装好产品的真空管平放在桌面上以3PCS为一排然后再叠放3列或2列为1把如图二或图三, 整理好后用PE膜将1把真空管两头PE膜缠绕包好, 并在左边PE膜处贴1PCS产品标签, 如图示二。
- 3.将上步完成的产品以每把进行包扎, 包装成一整扎, 以图示三
- 4.将包扎好产品放入纸箱内, 并将纸箱用胶带封好, 在其侧面右上角贴上出货标签。
- 5.纸箱规格: 600\*200\*180mm 真空管规格: 600\*29.4\*22.3mm
- 6.纸箱厚度: 6~7mm

PIN数	每支真空产品数量PCS/管	每箱真空管数量 PCS管/箱	每箱包装数量 PCS/箱
2*06	30	48	1440
2*08	24	48	1152
2*10	20	48	960
2*12	17	48	816
2*14	15	48	720
2*16	13	48	624
2*18	12	48	576
2*20	11	48	528

DIM	TOL	DIM	TOL
x.	/	x.	/
.x	/		
.xx	/		

**DEREN**  
SHENZHEN DEREN ELECTRONIC CO., LTD

DRAW NO. ***		DESIGN: Yy_D	DATE: 2023.03.14	TITLE: WAFER 2:20PH 13H R/A DIP CONN
REV. 1	APPROVAL:	CHECK:		P/N: SEE TABLE
				SHEET: 3/3
				SCALE: N/A UNIT: mm