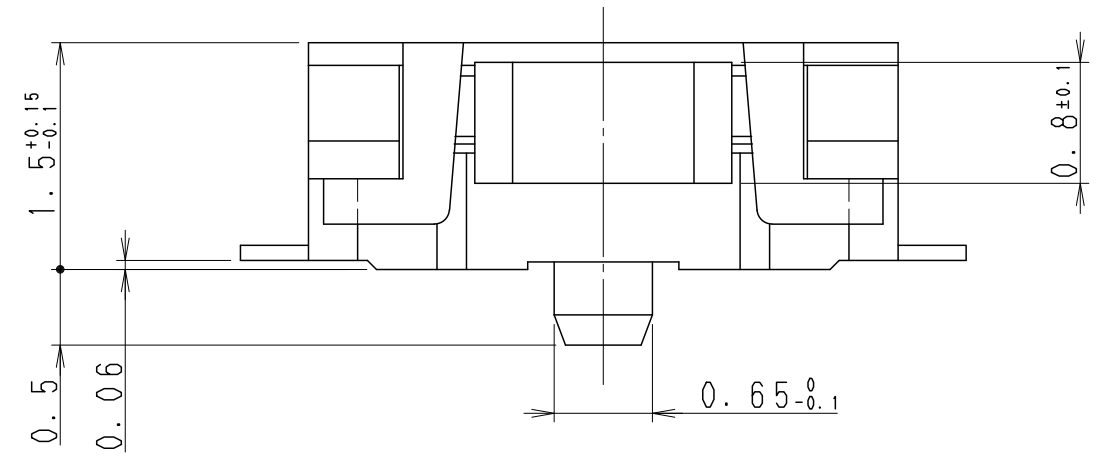
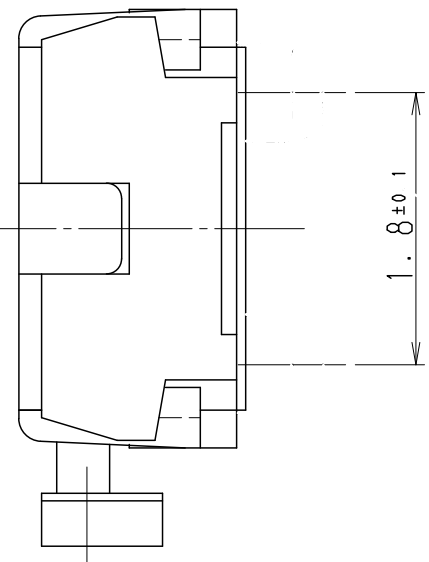
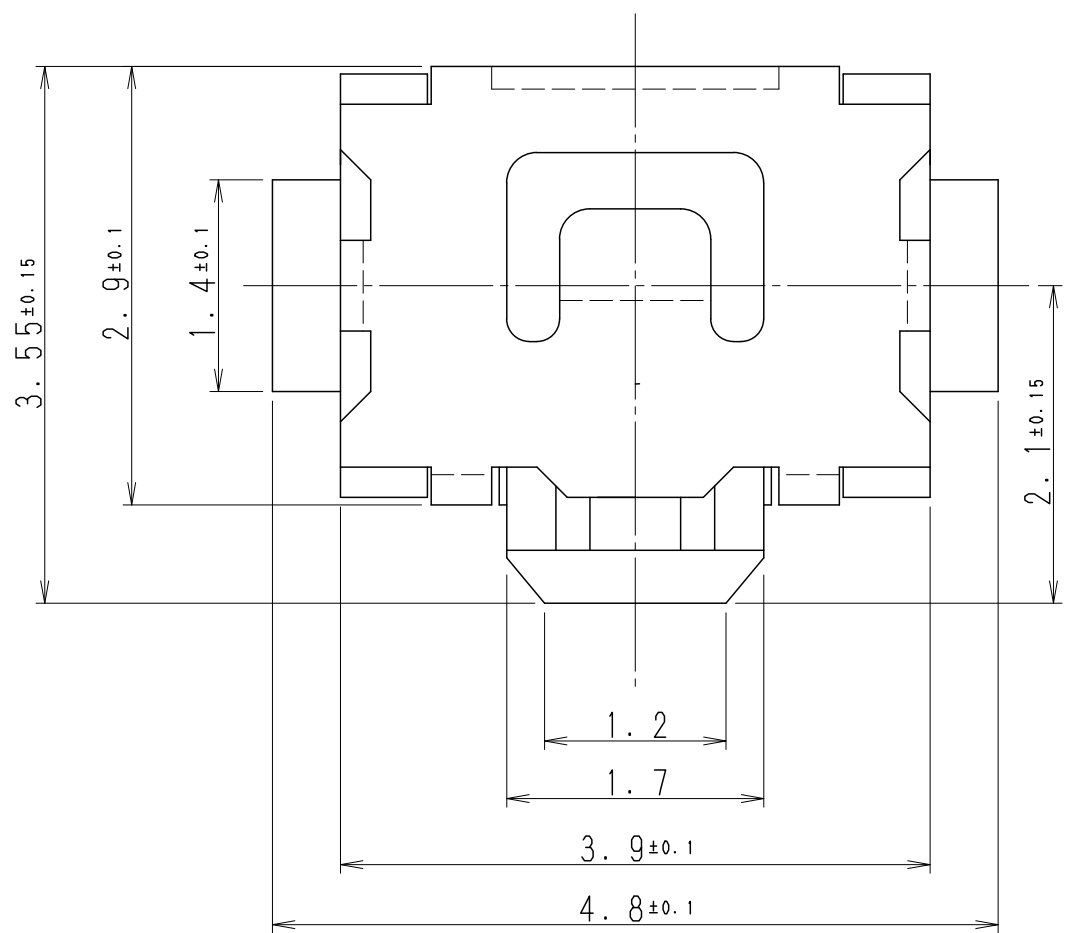
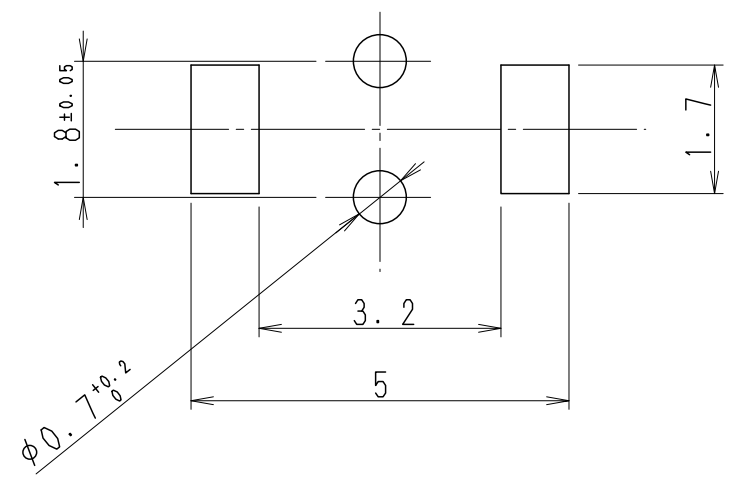


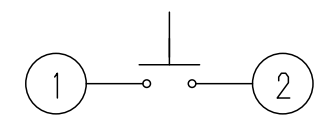
SYMB REVISIONS



プリント基板取り付け寸法図  
PRINTED CIRCUIT BOARD  
MOUNTING PATTERN DIMENSION



回路図  
CIRCUIT DIAGRAM



NOTE 1. TAPING SPECIFICATION TO BE ACCORDANCE WITH TRE-901.  
注記 テーピング仕様書は、TRE-901による。

TOLERANCE UNLESS OTHERWISE SPEC.	
BASIC DIMENSIONS	TOLERANCES
UP TO 10	±0.3
ABOVE 10 TO 100	±0.5
ABOVE 100	±0.8
ANGULAR DIMENSIONS	±3°

PART NO.	MATERIAL	SPEC/NAME	FINISH	REMARK
<b>ALPS ELECTRIC CO., LTD.</b>				
	DSGD. 2003.01.10 3-DS7	SCALE 20:1	NO. SKRELHE010	
	CHKD. 2003.01.10 3-DS7		TITLE	
	APPD. 2003.01.10 3-DS7		PRDUCT DRAWING	
		UNIT mm	DOCUMENT NO.	
			SKRELGE010.1100.31	

APPROVED