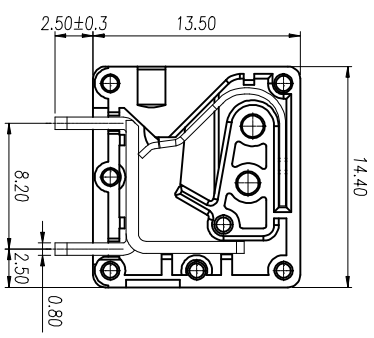
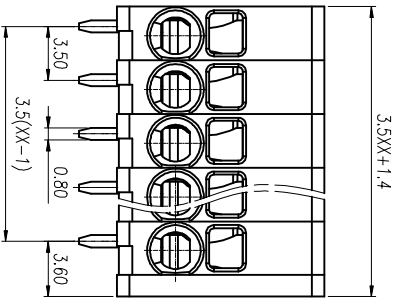
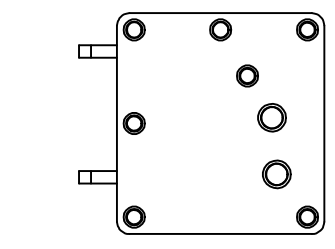
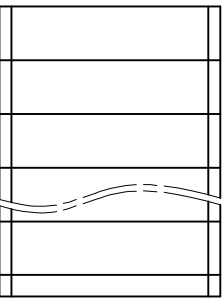
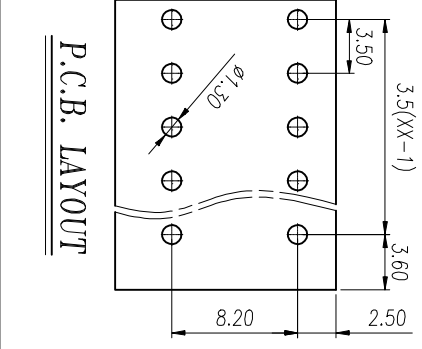


注: 本板为禁止传输、复制、翻印文件, 以及用其内容进行交流



REV	ECN NO.	CONTENT	CHK	DATE

NOTES1:
UL Standard

Use group	B	C	D
Rated Current	10A	/	10A
Rated Voltage	300V	/	300V

2. Wire range: 24~16AWG
IEC Standard

Pollution Degree	3	2	2
Overvoltage Category	III	III	II
Rate Impulse Voltage(KV)	2.5KV	2.5KV	2.5KV
Rate Voltage(V)	160V	200V	400V
Rate Current(A)	17.5A	17.5A	17.5A

2. wire range: 0.2~1.5mm²

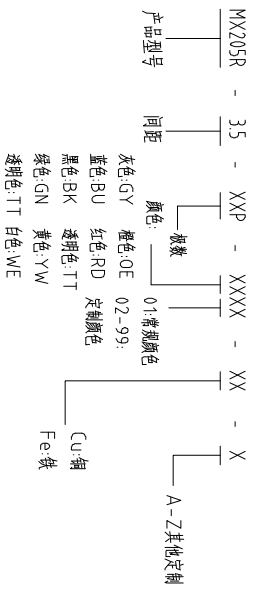
NOTES2:

1. Insulation Material: PA66 (UL94V-0)
2. Conductor: Copper alloy(Sn Plated)

NOTES3:

1. Pitch: 3.5mm Poles: 01-30P
2. Stripping length: 8-9mm
3. Operating temperature: -40℃~+105℃
4. RoHS Compliance

How to order



Pitch Range In mm	Nominal Dimension In mm	Range	Symbol					
Over 6 TO	Over 10 TO	Over 30 TO	Over 60 TO	Over 100 TO	Over 150 TO	0.1/10		
Over 6 TO	Over 10 TO	Over 24 TO	Over 30 TO	Over 60 TO	Over 100 TO	150 TO	±	
±0.15	±0.20	±0.30	±0.30	±0.50	±0.70	±1.00	±1.30	±2°

ITEM	NAME OF PART	NO. OF PART	Q'TY	MATERIAL	NOTE
DWG	CHK	DATE	SCALE	SHEET/OF	1/1
APP	DATE	DATE	SCALE	A4	1/1
CIXI MAIXU ELECTRONICS CO.,LTD			NAME		
MAIXU 慈溪市迈旭电子有限公司			MX205R-3.5-XXP		
DWGNO.					