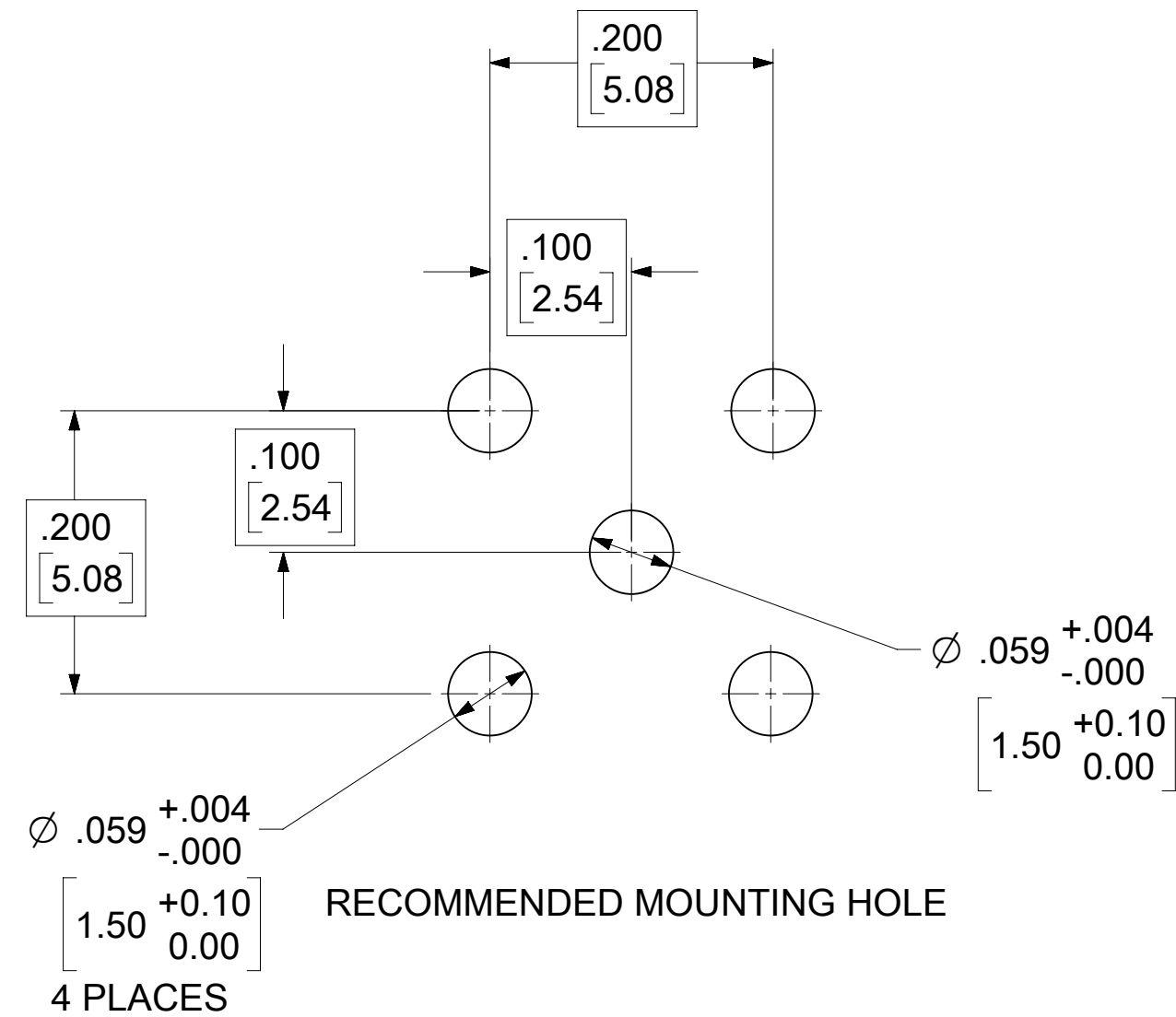
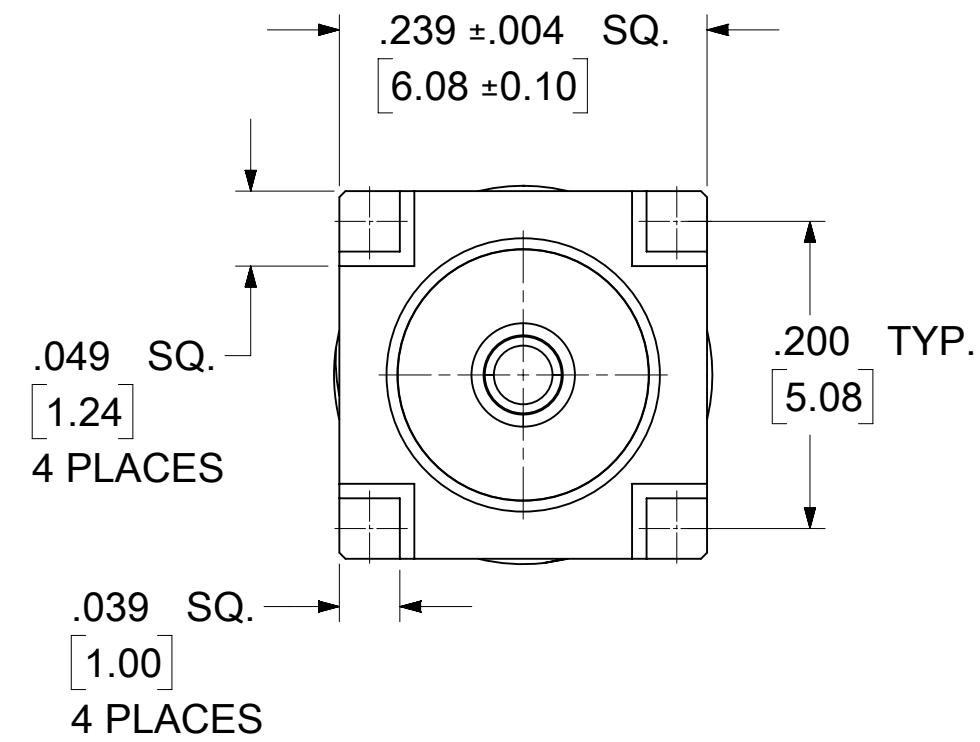
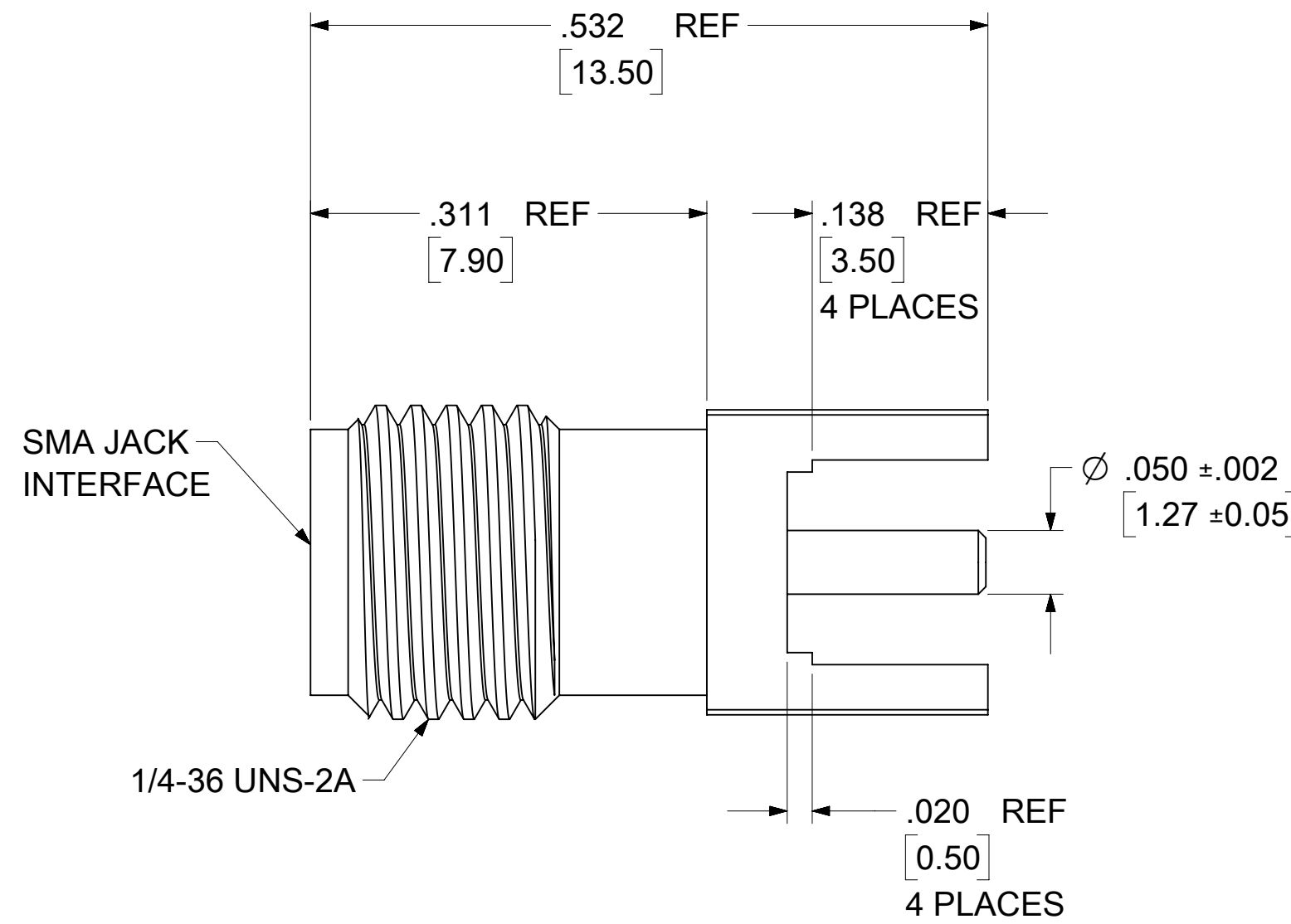
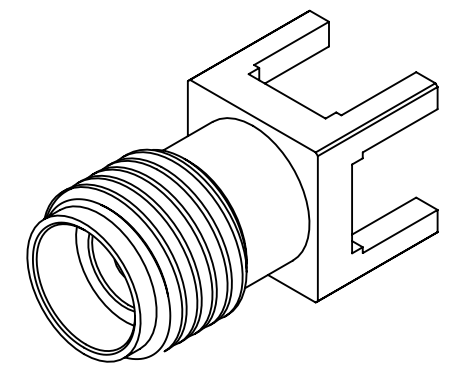


MATERIALS AND FINISHES:

BODY: BRASS
PLATED GOLD

CENTER CONTACT: BERYLLIUM COPPER
PLATED GOLD

INSULATOR: TEFLON

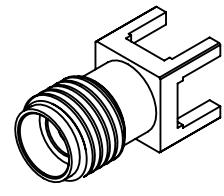


RECOMMENDED MOUNTING HOLE

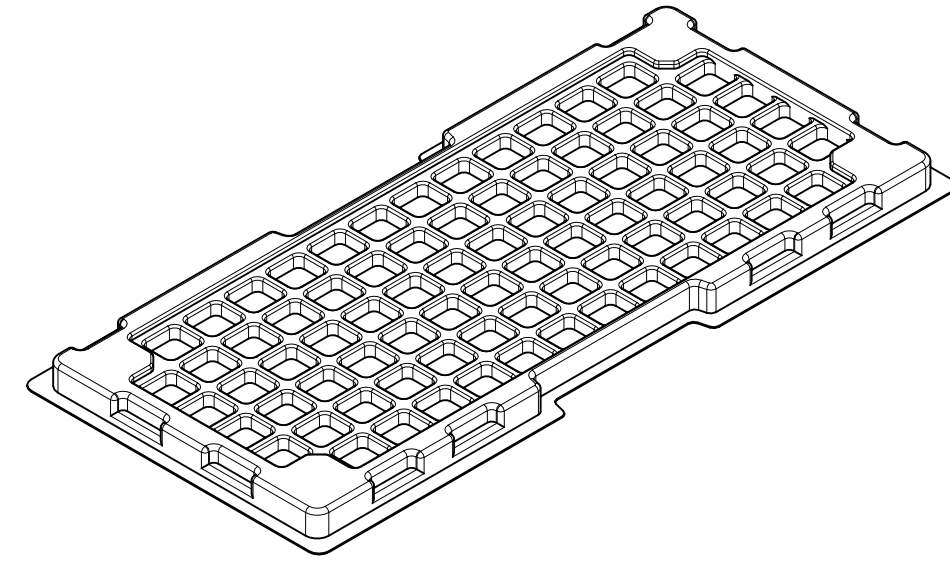
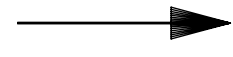
73391-0072	SMALL TRAY (20 CAV.)	SEE SHEET 4
73391-0071	ONE PIECE PER BAG	SEE SHEET 3
73391-0070	TRAY (80 CAV.)	SEE SHEET 2
PART NO.	PACKAGING	PACKING SPEC

PS-89675-346	ELECTRO/MECH. PERFORM.
SPECIFICATION	DESCRIPTION

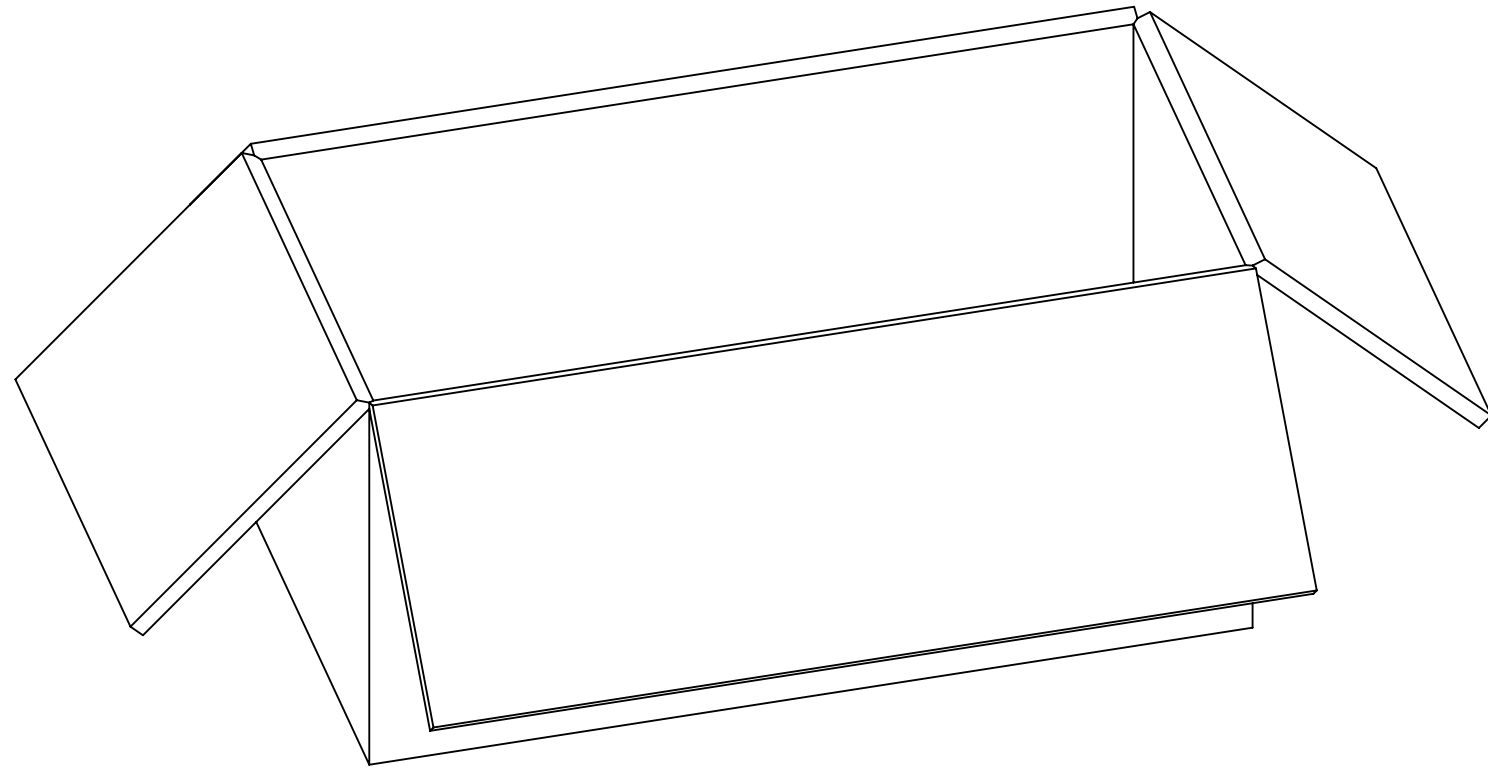
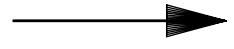
FUNCTIONAL SYMBOLS	THIS DRAWING CONTAINS INFORMATION THAT IS PROPRIETARY TO MOLEX ELECTRONIC TECHNOLOGIES, LLC AND SHOULD NOT BE USED WITHOUT WRITTEN PERMISSION										
DIMENSION UNITS	SCALE	CURRENT REV DESC: ADD PKG PER EWR15870-A								molex	
$\frac{F}{A} = 0$	INCH NTS										
GENERAL TOLERANCES (UNLESS SPECIFIED)		EC NO: 750458								SMA JACK VERTICAL PCB	
$\frac{F}{C} = 0$	ANGULAR TOL $\pm 2.0^\circ$	DRWN: CWEI02 2022/09/26								50 OHMS SMA-J/PCB	
$\frac{F}{P} = 0$	4 PLACES \pm	CHK'D: YCHENG 2023/05/30								PRODUCT CUSTOMER DRAWING	
#####	3 PLACES \pm	APPR: YCHENG 2023/05/30								DOCUMENT NUMBER	
	2 PLACES \pm	INITIAL REVISION:								DOC TYPE	
	1 PLACE \pm	DRWN: LYNN 1998/10/19								DOC PART	
	0 PLACES \pm	APPR: XXXX XXXX								REVISION	
DRAFT WHERE APPLICABLE MUST REMAIN WITHIN DIMENSIONS		THIRD ANGLE PROJECTION	DRAWING	SERIES	MATERIAL NUMBER	CUSTOMER	SHEET NUMBER				
			C-SIZE	73391	SEE TABLE	GENERAL MARKET	1 OF 4				



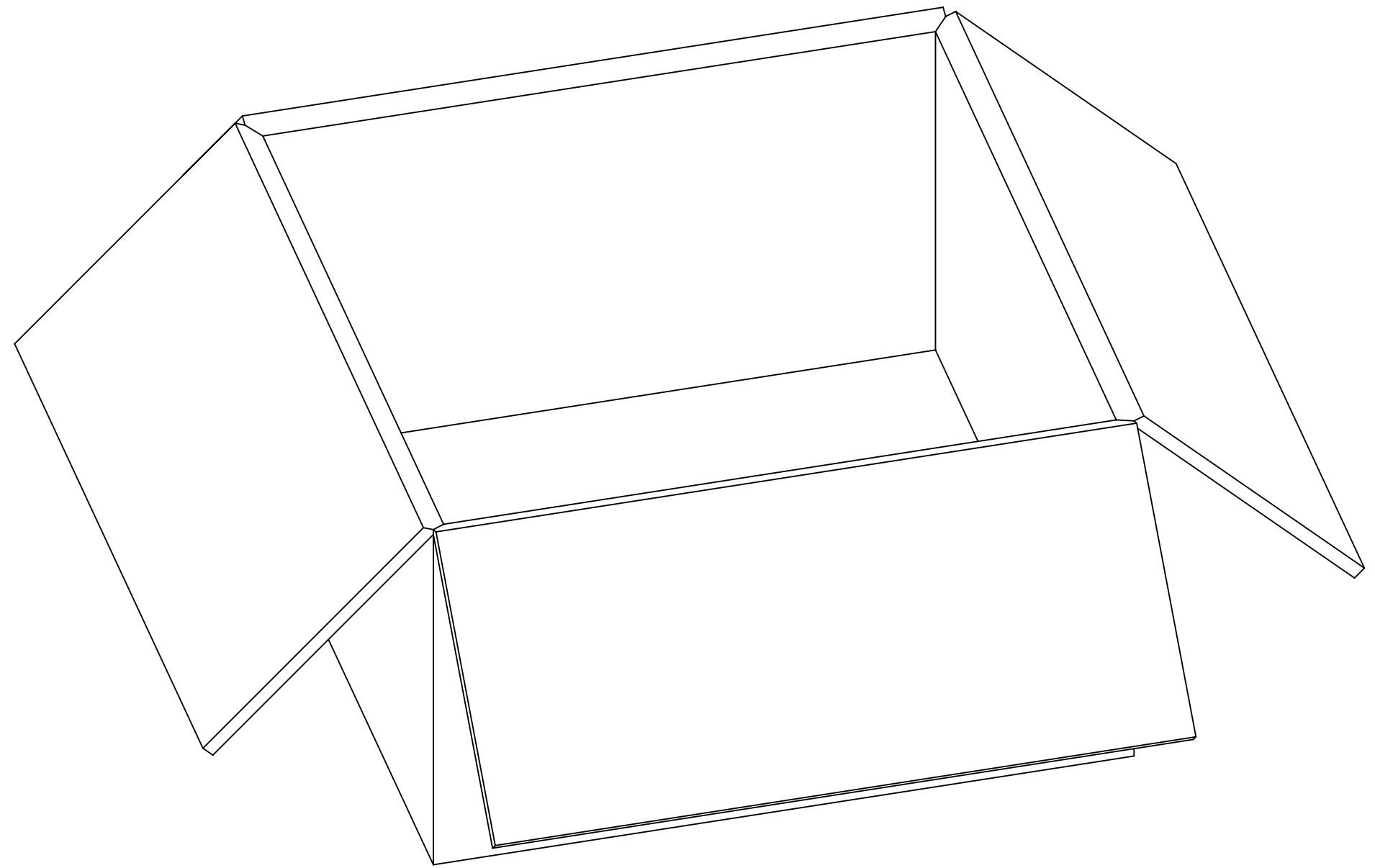
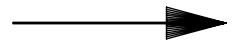
PRODUCT
PN-73391-0070



80 SETS PER TRAY
P/N: 89707-0190



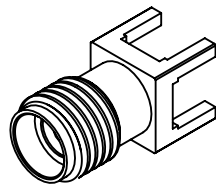
1600 SETS PER INNER
CARTON BOX
P/N: 96707-0001



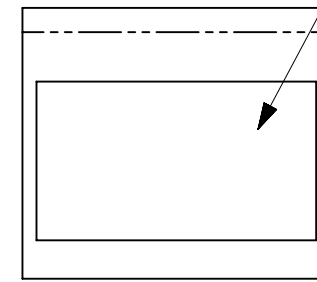
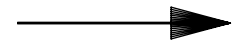
3200 SETS PER OUTER
CARTON BOX
P/N: 96708-0005

FUNCTIONAL SYMBOLS = 0 = 0 = 0 DIVISIONAL SYMBOLS 3 PLACES ± 2 PLACES ± 1 PLACE ± 0 PLACES ±	THIS DRAWING CONTAINS INFORMATION THAT IS PROPRIETARY TO MOLEX ELECTRONIC TECHNOLOGIES, LLC AND SHOULD NOT BE USED WITHOUT WRITTEN PERMISSION											
	DIMENSION UNITS INCH	SCALE NTS	CURRENT REV DESC: ADD PKG PER EWR15870-A									
	GENERAL TOLERANCES (UNLESS SPECIFIED) ANGULAR TOL ± 2.0°		EC NO: 750458 DRWN: CWEI02 CHK'D: YCHENG APPR: YCHENG		2022/09/26 2023/05/30 2023/05/30		SMA JACK VERTICAL PCB 50 OHMS SMA-J/PCB					
	DRAFT WHERE APPLICABLE MUST REMAIN WITHIN DIMENSIONS		THIRD ANGLE PROJECTION 		DRAWING C-SIZE	SERIES 73391	MATERIAL NUMBER SEE TABLE	CUSTOMER GENERAL MARKET	DOCUMENT NUMBER SD-73391-007	DOC TYPE PSD	DOC PART 001	REVISION B6

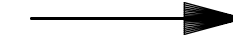
DOCUMENT STATUS	P1	RELEASE DATE	2023/05/30	07:15:15
-----------------	----	--------------	------------	----------



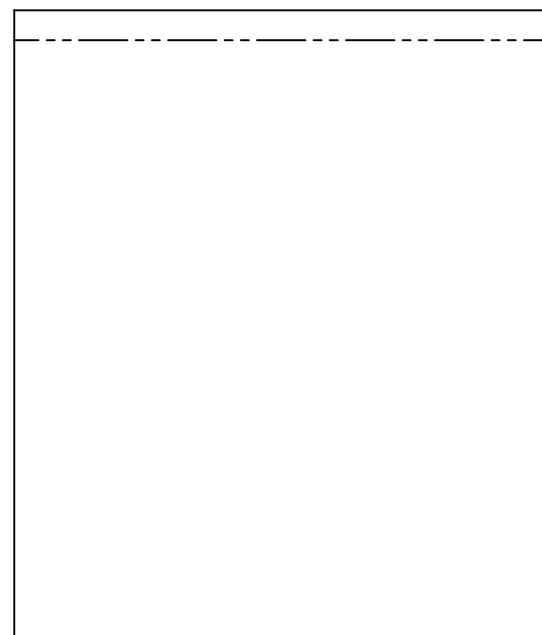
PRODUCT
PN-73391-0071



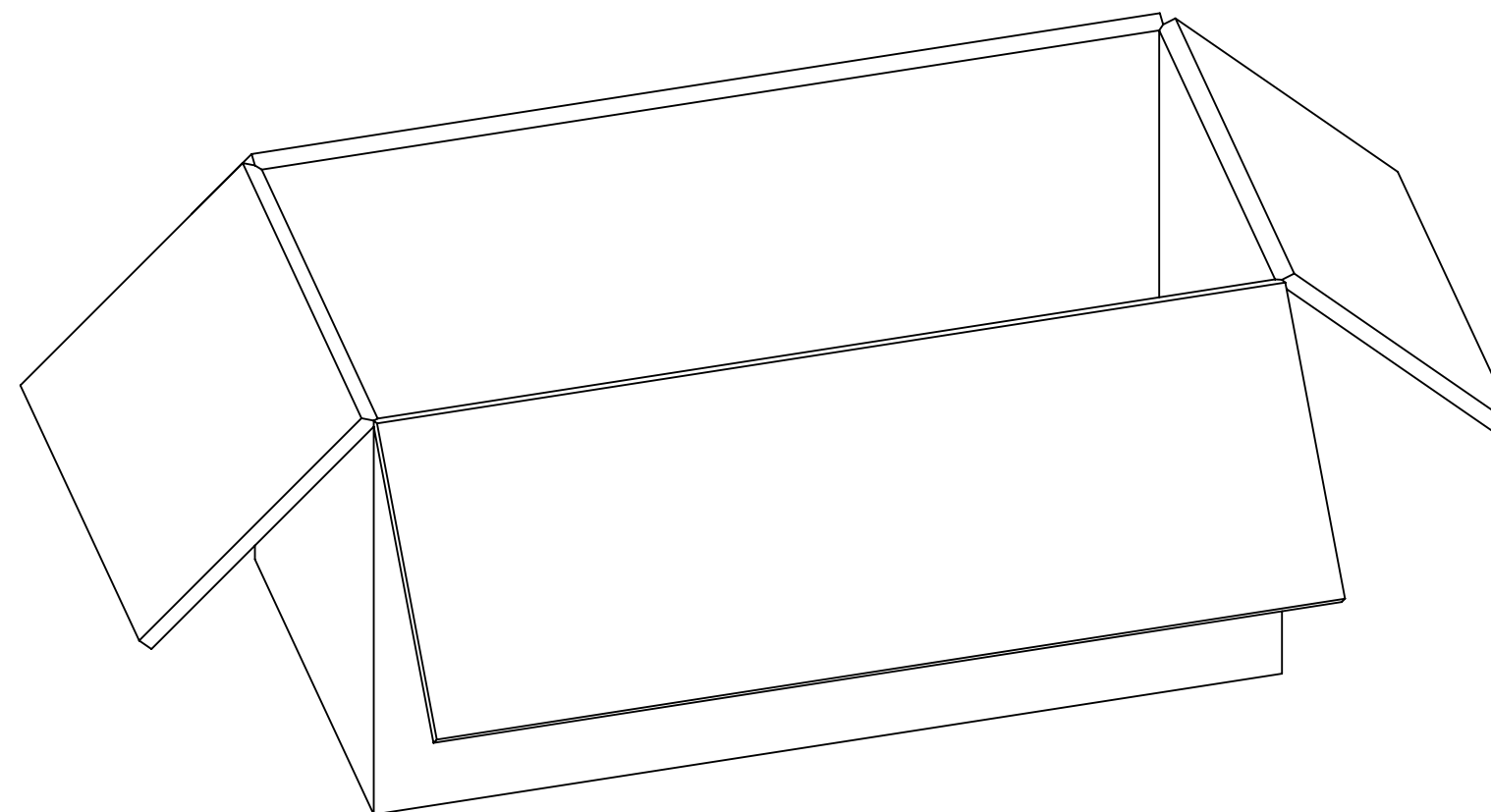
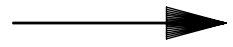
LABEL WITH EACH BAG:
PART NUMBER: 73391-0070
ORDER NUMBER: 73391-0071
MOLEX
DATE: YYWW



ONE SET PER ZIPPER POLY BAG
P/N: 89707-0317



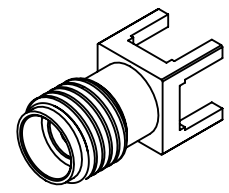
50 SETS PER POLY BAG
P/N: 89707-0174



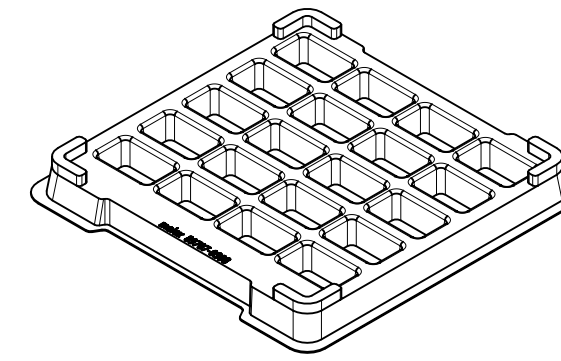
500 SETS PER CARTON BOX
P/N: 96707-0002

FUNCTIONAL SYMBOLS	THIS DRAWING CONTAINS INFORMATION THAT IS PROPRIETARY TO MOLEX ELECTRONIC TECHNOLOGIES, LLC AND SHOULD NOT BE USED WITHOUT WRITTEN PERMISSION										
	DIMENSION UNITS	SCALE	CURRENT REV DESC: ADD PKG PER EWR15870-A							molex	
$\frac{F}{A} = 0$	INCH	NTS	EC NO: 750458								
$\frac{F}{C} = 0$	GENERAL TOLERANCES (UNLESS SPECIFIED)		DRWN: CWEI02							50 OHMS SMA-J/PCB	
$\frac{F}{P} = 0$	ANGULAR TOL $\pm 2.0^\circ$		4 PLACES \pm				2022/09/26			PRODUCT CUSTOMER DRAWING	
DIVISIONAL SYMBOLS	3 PLACES \pm		2 PLACES \pm				2023/05/30			DOCUMENT NUMBER	
	1 PLACE \pm		1 PLACE \pm				INITIAL REVISION:			DOC TYPE	
	0 PLACES \pm		0 PLACES \pm				1998/10/19			DOC PART	
	DRAFT WHERE APPLICABLE MUST REMAIN WITHIN DIMENSIONS		THIRD ANGLE PROJECTION		DRAWING		SERIES		REVISION		
					C-SIZE		73391		SD-73391-007		
									PSD 001 B6		
									MATERIAL NUMBER		
									CUSTOMER		
									SHEET NUMBER		
									3 OF 4		

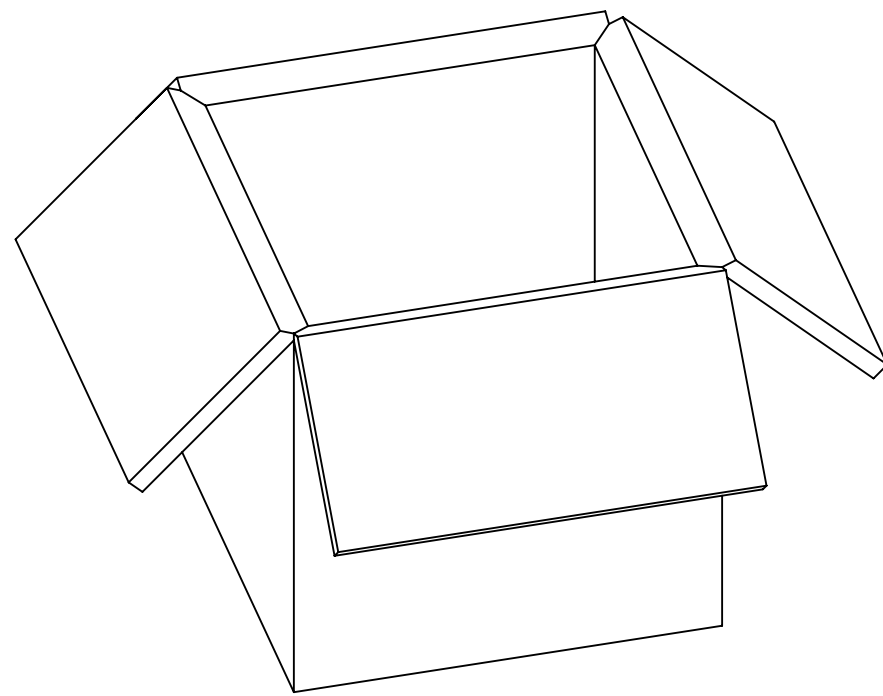
DOCUMENT STATUS	P1	RELEASE DATE	2023/05/30	07:15:15
-----------------	----	--------------	------------	----------



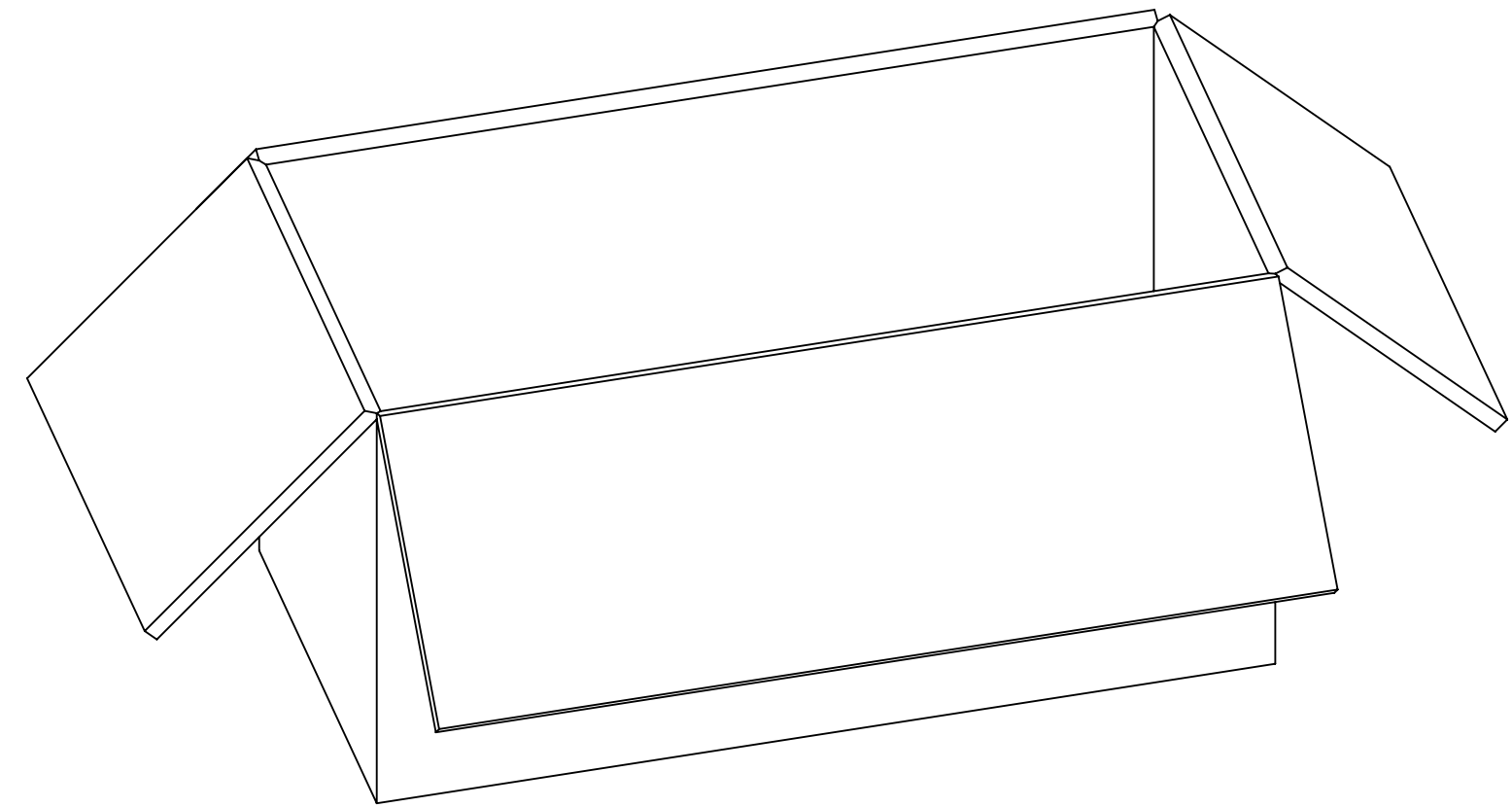
PRODUCT
PN-73391-0072



20 SETS PER TRAY
P/N: 89707-0308



200 SETS PER INNER
CARTON BOX
P/N: 96707-0005



400 SETS PER OUTER
CARTON BOX
P/N: 96707-0002

FUNCTIONAL SYMBOLS $\frac{F}{A} = 0$ $\frac{F}{C} = 0$ $\frac{F}{P} = 0$	THIS DRAWING CONTAINS INFORMATION THAT IS PROPRIETARY TO MOLEX ELECTRONIC TECHNOLOGIES, LLC AND SHOULD NOT BE USED WITHOUT WRITTEN PERMISSION												
	DIMENSION UNITS INCH	SCALE NTS	CURRENT REV DESC: ADD PKG PER EWR15870-A										
	GENERAL TOLERANCES (UNLESS SPECIFIED)		EC NO: 750458		DRWN: CWEI02				2022/09/26				
	ANGULAR TOL $\pm 2.0^\circ$		4 PLACES \pm		CHK'D: YCHENG		2023/05/30				PRODUCT CUSTOMER DRAWING		
DIVISIONAL SYMBOLS 3 PLACES \pm 2 PLACES \pm 1 PLACE \pm 0 PLACES \pm	DRAFT WHERE APPLICABLE MUST REMAIN WITHIN DIMENSIONS		THIRD ANGLE PROJECTION		DRAWING		SERIES		DOCUMENT NUMBER		DOC TYPE	DOC PART	REVISION
					C-SIZE		73391		SD-73391-007		PSD	001	B6
									MATERIAL NUMBER		CUSTOMER		SHEET NUMBER
									SEE TABLE		GENERAL MARKET		4 OF 4