

| REVISION RECORD | | | | |
|-----------------|-----|-------------|------|------------|
| REV | ECN | DESCRIPTION | DRFT | DATE |
| A | | NEW | C.W | 2023.05.25 |

NOTES1:

UL Standard

- 1.Rated voltage/current : 300V / 35A
- 2.Withstanding voltage : AC1600V/1Min.
- 3.Torque value : M3 , 4.5Lb.in
- 4.Wire range : 30~10AWG

IEC Standard

| | | | |
|--------------------------|-------|------|------|
| 1. Pollution degree | 2 | 2 | 3 |
| Overvoltage category | II | III | III |
| Rate impulse voltage(KV) | 6KV | 6KV | 6KV |
| Rate voltage(V) | 1000V | 630V | 400V |
| Rate current(A) | 20A | | |

- 2.Torque value : M3 , 0.5N·m
- 3.Wire range : 0.2~4mm²

NOTES2:

- 1.Dimension shall be interpreted per ASME Y14.5-2009
- 2.Pitch : 7.62mm, Poles : N=02~12P
- 3.Stripping length : 7~8mm
- 4.Operating temperature: -40°C~+105°C
- 5.Undimensioned tolerances:

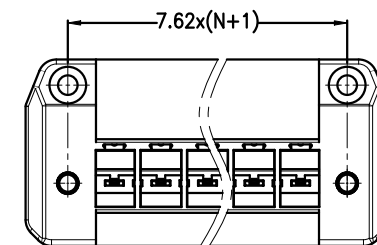
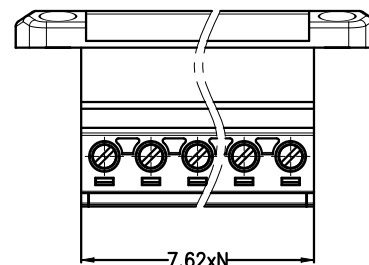
| Pitch range in mm | | Nominal dimension range in mm | | | | | | 0.1/10 | |
|-------------------|------|-------------------------------|-------|-------|-------|-------|-------|--------|-----|
| TO | Over | TO | Over | TO | Over | TO | Over | | |
| 6 | 10 | 10 | 24 | 30 | 60 | 100 | 150 | ± | |
| 6 | 10 | 24 | 30 | 60 | 100 | 150 | | | |
| ±0.15 | | ±0.20 | ±0.30 | ±0.30 | ±0.50 | ±0.70 | ±1.00 | ±1.30 | ±2' |

6.RoHS Compliance

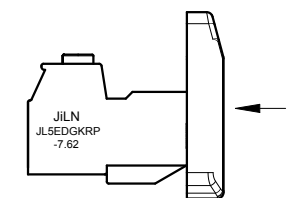
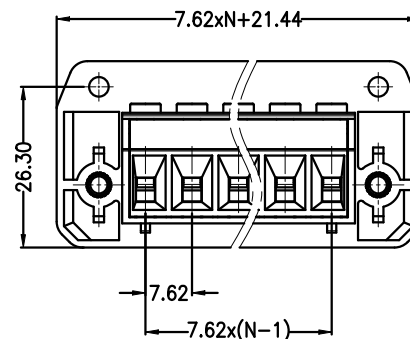
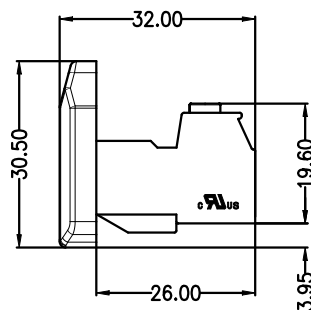
Ordering Information

JL5EDGKRP - 762 XX X XX

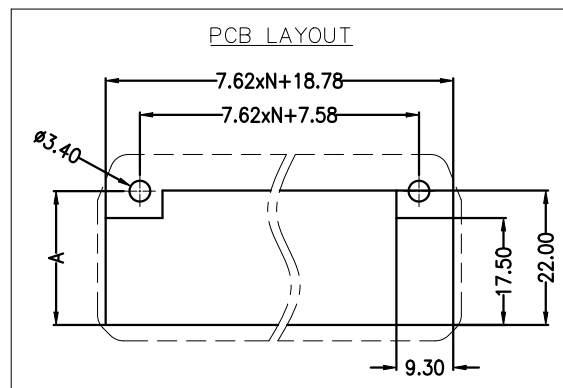
Pitch 762=7.62PH
 No.of pins 2~12
 Housing Color
 B=Black
 C=Green
 U=Blue
 R=Red
 W=White
 Y=Yellow
 O=Orange
 E=Grey
 Serial code



View B



PCB LAYOUT



| | | | | | |
|-------------------|------|------|------|------|------|
| A | 21.4 | 21.9 | 22.5 | 23.1 | 23.7 |
| W(Wall thickness) | 1 | 2 | 3 | 4 | 5 |

| | | | | |
|---------|-------|-----|--|----------------------------|
| DRAW | SCALE | FIT | 东莞市锦凌电子有限公司 DONGGUAN JINLING ELECTRONIC CO.,LTD | |
| | | | | |
| CHECK | SIZE | A4 | PART NO. | JL5EDGKRP-762XXXXX |
| | | | SHEET | 1/1 |
| APPROVE | PROJ. | | TITLE: | JL5EDGKRP-7.62-XXP插拔式母座/带耳 |