

REVISION RECORD				
REV	ECN	DESCRIPTION	DRFT	DATE
A0		NEW		20.12.02

NOTES1:  
 UL Standard  
 1.Rated voltage/current : 300V / 30A  
 2.Withstanding voltage : AC1600V/1Min.  
 3.Torque value : M3 , 4.43Lb.in  
 4.Wire range : 30~10AWG

IEC Standard  
 1. 

Pollution degree	2
Overvoltage category	III
Rate impulse voltage(KV)	4KV
Rate voltage(V)	400V
Rate current(A)	32A

  
 2.Torque value : M3 , 0.5N·m  
 3.Wire range : 0.2~4.0mm<sup>2</sup>

NOTES2:  
 1.Dimension shall be interpreted per ASME Y14.5-2009  
 2.Pitch : 7.62mm, Poles : N=02~12P  
 3.Stripping length : 8~9mm  
 4.Operating temperature : -40°C~+105°C  
 5.Undimensioned tolerances:

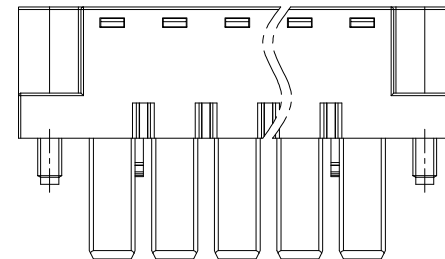
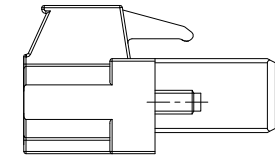
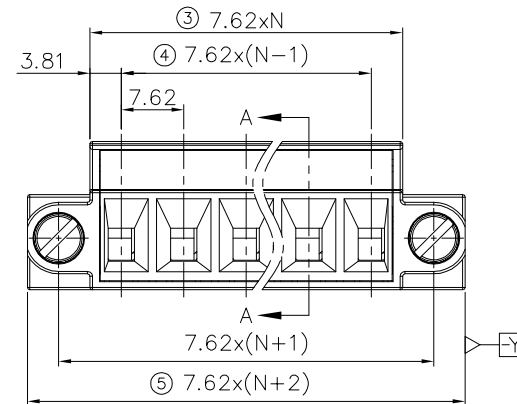
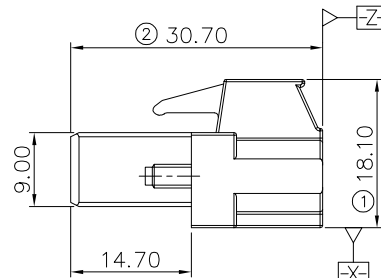
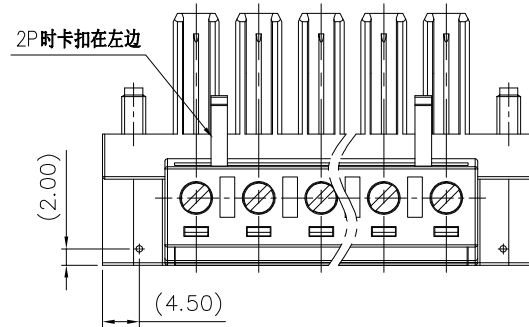
Pitch range in mm		Nominal dimension range in mm					-	∩	∇
TO	Over	TO	Over	TO	Over	TO	Over	TO	
6	6	10	10	30	30	60	60	100	
6	10	24	30	60	100	150	150	150	
±0.15	±0.20	±0.30	±0.30	±0.50	±0.70	±1.00	±1.30	±2*	

6.RoHS Compliance

Ordering Information

**JL5EDGKM-762 XX G 0 1**

Pitch 762=7.62PH    No.of pins 2P,3P,4P~12P    Housing Color B=Black G=Green U=Blue R=Red W=White Y=Yellow O=Orange E=Grey    Packing 0=Pe bag T=Tube A=Tray



7	Screw	Steel	M3/Zn Plated
6	Screw	Steel	M3/Zn Plated
5	Cage	Copper alloy	M3/Ni Plated
4	Spring	Stainless Steel	
3	Clamp	Copper alloy	Sn Plated
2	Cover	PA66	UL94V-0
1	Housing	PA66	UL94V-0
ITEM	NAME OF PART	MATERIAL	NOTES

DRAW	SHUANGPING ZHENG	SCALE	FIT
CHECK	LICHAD LIU	UNIT	mm
APPROVE	YONGLIANG GAO	SIZE	A4
		SHEET	1/1
		PROJ.	

**JILN**® 东莞市锦凌电子有限公司  
 DONGGUAN JINLING ELECTRONIC CO.,LTD

PART NO. JL5EDGKM-762XXG01  
 TITLE: JL5EDGKM-7.62-XXP 插拔式母座/ 绿色